

# FirePit® Jr.

Portable Outdoor Fireplace

Whalen

Assembly Instructions / Owner's Manual  
for

Model No. 41199

FOR CUSTOMER SERVICE

OR

ASSEMBLY ASSISTANCE

1-800-225-1438 / [info@whalenco.com](mailto:info@whalenco.com)

[www.whalenco.com](http://www.whalenco.com)

*Please Do Not Return To Retail Store!*

Packed by-

## !WARNING!

**FIREPIT® JR. IS FOR OUTDOOR USE ONLY!**

**DO NOT USE FIREPIT® JR. INDOORS!**

**INDOOR USE CAN BE FATAL!**

### WHALEN LIMITED WARRANTY

Whalen Mfg. Co., (Whalen) hereby warrants to the ORIGINAL RETAIL PURCHASER of this product that if it is assembled and operated in accordance with Whalen's printed instructions accompanying it, then for a period of five (5) years from the date of purchase all parts of the Whalen FirePit Jr., *excluding the screen unit*, shall be free from defects in material and workmanship.

Whalen shall not be liable under this or any implied warranty for incidental or consequential damages. This warranty gives you specific legal rights, and you may have other rights which vary from state to state. This warranty is applicable in the USA and Canada.

Whalen requires reasonable proof of your date of purchase. THEREFORE, YOU SHOULD RETAIN YOUR SALES SLIP OR INVOICE.

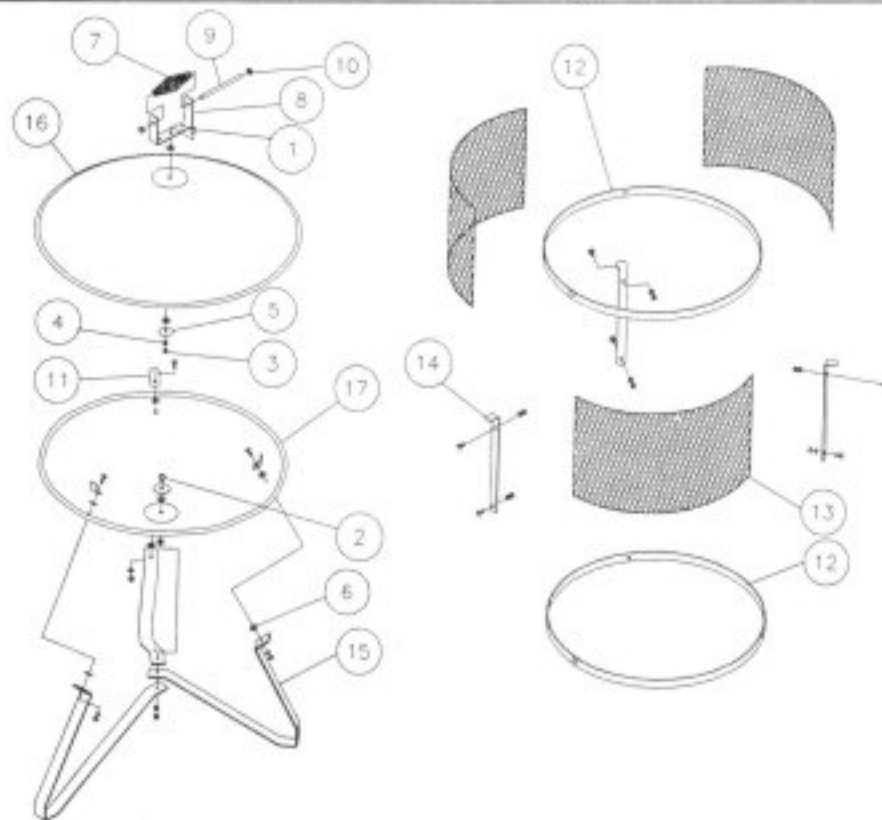
This Limited Warranty shall be limited to the repair or replacement of parts which prove defective under normal use and service and which on examination shall indicate, to Whalen's satisfaction, they are defective. Any part that is claimed to be defective and covered by this Limited Warranty must be returned with transportation costs prepaid to-

**Whalen Mfg. Co., Customer Service Center, 1270 E Murray St, Macomb, IL 61455.**

If Whalen's inspection confirms the defect and the claim, Whalen will elect to repair or replace such part without charge and return it to you freight or postage prepaid.

*Note: All Whalen Mfg. Co products are subject to change, upgrade and improvement without notification.*

## Exploded Parts Diagram



### PARTS LIST FOR 20" FirePit Jr., 12" SCREENS

Ref No.	Part No.	Part Description	Quantity
1	2503-102	5/16-18 x 1 Truss Head Bolt	10
2	2503-105	5/16-18 x 1-1/4 Truss Hd Bolt	1
3	2520-201	5/16-18 Hex Nut	11
4	2525-201	5/16 Med Lockwashers	11
5	40308	5/16 x 1-1/2 Fender Washer	2
6	40369	Fiber Washer	10
7	40314	1-1/2 x 4-1/2 Stove Handle	1
8	40317	Handle, FirePit Jr.	1

### PARTS LIST FOR 20" FirePit Jr., 12" SCREENS

Ref No.	Part No.	Part Description	Quantity
9	40348	Handle Rod, FirePit Jr.	1
10	40349	Push Nut	2
11	40311	Ring Clip, FirePit Jr.	3
12	40322	Screen Rings, FirePit Jr.	2
13	40494	12" Screen, 20" FirePit Jr.	3
14	40352	12" Screen Upright	3
15	40368	Leg, 20" FirePit Jr.	3
16	40335	Porcelain Black, 20" Top	1
17	40336	Porcelain Black, 20" Bot tom	1

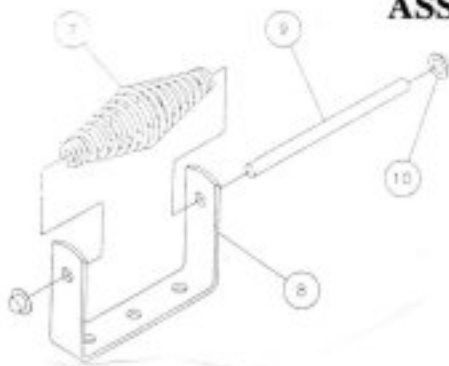
### TOOLS REQUIRED FOR ASSEMBLY

Straight Bit Screwdriver & Adjustable End Wrench  
or  
Screwdriver and 1/2" Open or Box End Wrenches

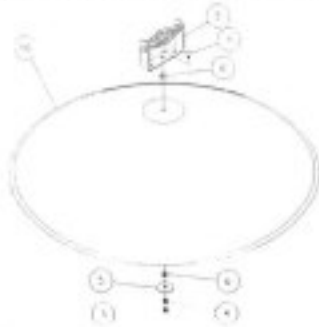


Hardware Drawing-Actual Size

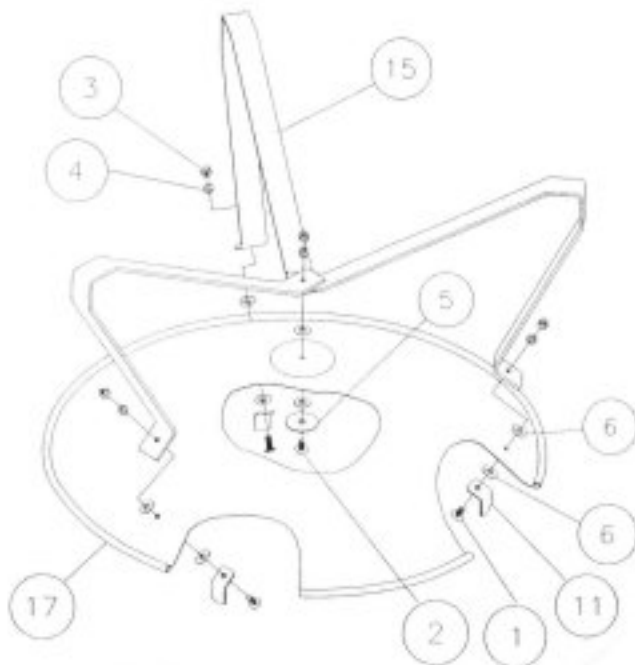
## ASSEMBLY INSTRUCTIONS



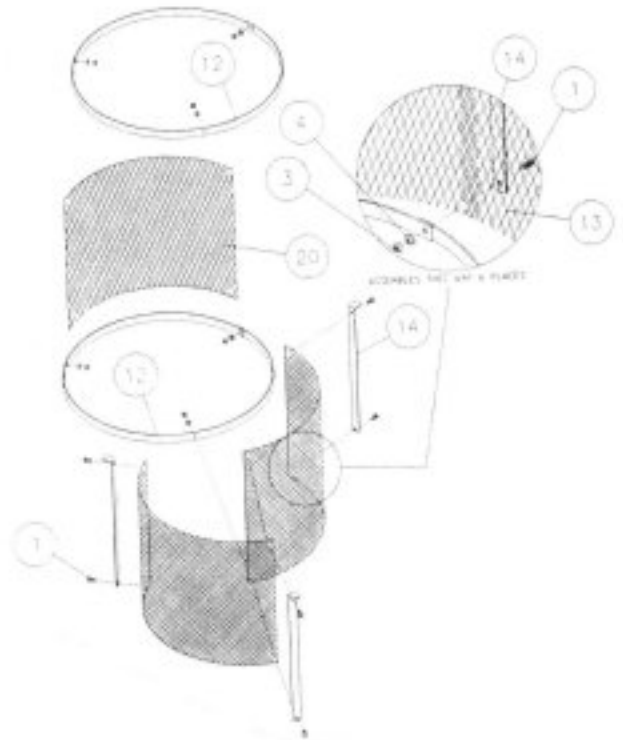
**Step 1- Assemble Handle-** Assemble stove handle(7) to **FirePit Jr.** handle(8) using push nut(10) on either end of handle rod(9).



**Step 2- FirePit Jr. Top-** Assemble handle(8) to center hole of Top(16) by inserting 5/16 bolt(1) through handle followed by one 5/16 fiber washer(6) on each side of center hole in top(16), 5/16 fender washer(5), 5/16 lock washer(4) and 5/16 hex nut(3). Finish tighten. Do not over tighten! Over-tightening may fracture porcelain. **IMPORTANT!** Only fiber washers(6) should contact porcelain!



**Step 3- Assemble Legs to Bottom-** Assemble legs to center hole in Bottom Bowl(17). Place a 5/16 fender washer(5) onto 5/16 x 1 1/4 bolt(2). Follow this with a 5/16 fiber washer(6). Insert 1 1/4 bolt(2) through center hole in FirePit Jr. bottom(17) from the inside of bowl and hold in place. Place 5/16 fiber washer(6) on 5/16 x 1 1/4 bolt(2) against porcelain surface. Place all three legs(15) onto 1 1/4 bolt followed by a 5/16 med lock washer(4) and 5/16 hex nut(3). Finger tighten. From inside of bottom(17) attach ring clip(11) using 5/16 bolt(1) a fiber washer(6) on each side of mounting hole. Slip free end of all legs(15) onto bolts(1) and follow with 5/16 med lock washer(4) and 5/16 hex nut(3). Finish tighten at this time. Do not over-tighten!



**Step 4- Screen Unit Assembly-** Temporarily insert 5/16 bolt(1) through hole in end of screen ring(12). Overlap ends and push bolt through hole. Loosely secure with 5/16 hex nut(3). Repeat with other screen ring(12). **CAUTION!** Wear work gloves to perform the next steps! Place all screens(13) over your knee and gently bend several times to pre-curve. Overlap last row of two screens(13) so diamonds align. Use a 5/16 bolt(1) through the top hole in screen upright(14) just below the angle. Place this bolt through aligned holes in screens(13) and then through a hole in one screen ring(12). Secure with 5/16 lock washer(4) and 5/16 hex nut(3). Finger tighten. Repeat process with second screen upright(14) and finish with third screen upright where ring overlaps. Remove temporary bolt and insert through screen upright (14), screens(13) and screen ring(12). Install second screen ring at other end of screen uprights by repeating this entire procedure. When all bolts are in place, set screen unit onto floor and finish tighten.



**Step 5- Assemble FirePit Jr.-** Install screen unit on **FirePit Jr.** by placing unit over all three ring clips(11) with short right angle bends to the top. Place FirePit Jr. top(16) on top of screen unit assembly to complete. **IMPORTANT!** BEFORE USING **FirePit Jr.** FOR THE FIRST TIME, FILL BOTTOM WITH APPROXIMATELY 10 POUNDS OF CLEAN SAND TO INSULATE BOTTOM AND SUPPORT SURFACE FROM HEAT AND FLAME! SAND SHOULD REMAIN IN PLACE AT ALL TIMES!

## IMPORTANT!

BEFORE USING **FirePit® Jr.** FOR THE FIRST TIME, FILL BOTTOM BOWL WITH AT LEAST 10 POUNDS OF CLEAN SAND TO INSULATE BOTTOM AND SUPPORT SURFACE FROM HEAT AND FLAME! SAND SHOULD REMAIN IN PLACE AT ALL TIMES!

### !WARNING!

**FirePit. Jr.** is for outdoor use only. Keep **FirePit. Jr.** away from homes, garages and flammable materials/fluids or vehicles while in use. **FirePit. Jr.** is not to be used by children. Be sure screens are in place while in use. Do not use in windy conditions. Use caution when using on combustible surfaces and avoid wearing flammable clothing while **FirePit. Jr.** is in use. Always extinguish with lid only and remember ashes can remain hot for long periods. Do not overload or use to burn leaves, trash or paper. Use caution and mitts when handling or moving. When in use, surfaces will be hot. All fires must be completely extinguished before retiring. Do not store hot or with ashes inside. See below for further safety information.

### IMPORTANT RULES FOR SAFE OPERATION

- 1 Keep away from flammable material and fluids such as gasoline, alcohol, diesel fuel, kerosene, and charcoal lighter fluid or vehicles while in use.
- 2 Do not use flammable fluids such as gasoline, alcohol, diesel fuel, kerosene or charcoal lighter fluid to light or relight fires.
- 3 Exercise the same precautions you would with an open fire.
- 4 Do not allow children to use **FirePit. Jr.**. Keep children and pets away from **FirePit. Jr.**
- 5 Do not wear flammable or loose fitting clothing such as nylon when using **FirePit. Jr.**
- 6 Do not burn trash, leaves, paper cardboard or plywood in **FirePit. Jr.**. Avoid using soft woods such as pine or cedar that are likely to "pop" and throw sparks. Use of seasoned hardwood is suggested.
- 7 Before starting the fire make sure that the lid will still close to extinguish the fire in case of emergency. Do not overload **FirePit. Jr.** to the point that the lid will not close.
- 8 Always extinguish the fire with **FirePit. Jr.** lid. Do not use water to douse the the fire as this will fracture the porcelain finish. **FirePit. Jr.** and ashes inside will remain hot for some time. Always leave the lid in place until **FirePit. Jr.** is cold.
- 9 Do not store **FirePit. Jr.** with ashes or combustible materials inside. Do not store **FirePit. Jr.** until the fire is completely out and all surfaces are cold.
- 10 Use fireplace mitts when handling **FirePit. Jr.** and tending the fire. Use long handled, sturdy fireplace equipment when adding or moving logs.
- 11 Do not move **FirePit. Jr.** while in use. If it becomes necessary to move **FirePit. Jr.**, remove screened section and replace **FirePit. Jr.** lid before attempting to move **FirePit. Jr.**
- 12 Before using **FirePit. Jr.**, fill bottom bowl with approximately 25 pounds of sand to insulate bottom and support surfaces from heat. Bowl should have sand in it at all times
- 13 Always use in accordance with all applicable local and national fire codes.
- 14 Use only on noncombustible surfaces such as concrete, brick, rock, etc. Do not use on a wooden deck *unless* screens are in place and **FirePit. Jr.** is under constant supervision. Do not leave unattended at any time.
- 15 Keep all bolts, nuts and screws tight to be sure **FirePit. Jr.** is in safe working condition. Inspect on a routine basis to ensure that **FirePit. Jr.** is operating reliably.

**WHALEN MANUFACTURING COMPANY, INC.**  
**1270 E MURRAY ST / MACOMB IL 61455**

*THANK YOU FOR PURCHASING THIS WHALEN MFG. CO. PRODUCT!*

*Questions? Comments? Concerns? Please Call 1-800-225-1438 or email- info@whalenco.com*