

# Fold Up and Storage Instructions

for PlantHouse 2',3',4',5', Seedhouse, Seedhouse Jr., Starterhouse, Rowhouse, SpringHouse, Hot house, Dreamhouse, FarmHouse

Although sizes differ dramatically the folding technique remains the same for these greenhouses.  
*(Helpful hint for best results be sure greenhouse is clean and dry prior to putting in storage / carry bag, use mild dish soap rinsed well then air dry is recommended.)*



1. Remove all of the following where applicable, Shade Cloth, Tent Stakes, Fiber Poles and store them in the storage bag that they came in.  
*( helpful hint do not put accessories storage bags into main storage pack until greenhouse is fully packed and fit )*

2. Fold your Flowerhouse from two panels into one as shown in figure A.  
*( helpful hint tuck excess material in between bands so it does not hang out beyond frame edge)*

3. Choose one of the corners. With both hands, fold your Flowerhouse into a U shape like a giant soft shell taco, folding corner to opposite corner diagonally, as shown in figure B.  
*( helpful hint you will feel the tension of the spring steel this is ok )*

4. As the top corner in your hands meets the diagonally opposite corner on the Ground as shown in figure C. pull or tuck the top corner back Under toward your feet, as shown in figure D.  
*( helpful hint as you pull or tuck top corner back UNDER toward your feet you will feel tension release as shown in figure D.)*

5. Then fold the ring on your left side and the right on your right side down over center ring forming 3 rings as shown in figure E.  
*( helpful hint the goal is to form 3 equally sized rings )*

6. This completes the folding of your Flowerhouse lay it on the ground and kneel or press extra air out that was trapped during folding process as shown in figure F.

7. Returning the greenhouse to storage bag works best by holding the folded greenhouse between your knees and then pulling the bag over it, rotating slightly to fit, then pushing the unit in completely, so not to stress the zipper, as shown in figure G.

8. Now you can place the accessories in their storage bags and next to or between the folded greenhouse. Now Greenhouse can be easily stored.  
*( helpful hint it is recommended that the greenhouse is then stored out of direct sunlight )*

**FlowerHouse**<sup>®</sup>  
 Self-erecting portable greenhouses  
 www.flowerhouses.com

P.O. Box 595 • Clio, MI 48420-0595  
 (810) 686-8252 • Fax (810) 686-5492

FlowerHouse™  
patents pending

PROTECTS YOUR PLANTS

# POP-UP GREENHOUSE

REVOLUTIONARY SELF-ERECTING GREENHOUSE - SETS UP IN SECONDS WITH NO TOOLS REQUIRED  
SERRE RÉVOLUTIONNAIRE À MONTAGE RAPIDE - SE MONTE SANS OUTIL, EN UN TOUR DE MAIN  
REVOLUCIONARIO INVERNADERO DE AUTO-ERECCIÓN - MONTAJE EN SEGUNDOS SIN NECESIDAD DE HERRAMIENTAS



## HotHouse™

LEAN-TO DESIGN

78" x 72" x 72"  
198CM X 183CM X 183CM



### SPACIOUS STAND-ALONE DESIGN

- PROTECTS PLANTS FROM WIND, FROST, SNOW, INSECTS, BIRDS AND OTHER PESTS.
- IMPROVES CLIMATIC CONDITIONS IN ALL GEOGRAPHIC LOCATIONS.
- GREAT FOR STARTING AND PROTECTING YOUR GARDEN!
- SETS UP ANYWHERE, SOIL OR HARD SURFACE IN OR OUTDOORS.
- FULLY SCREENED DOORS CREATE OPTIMUM AIR CIRCULATION FOR ACCELERATED GROWTH.

### STRUCTURE AUTO-PORTEUSE SPACIEUSE

- PROTÈGE DU VENT, DU GEL, DE LA NEIGE, DES INSECTES, DES OISEAUX ET AUTRES PARASITES
- AMÉLIORE LES CONDITIONS CLIMATIQUES À TOUT EMPLACEMENT GÉOGRAPHIQUE
- PARFAIT POUR DÉMARRER ET PROTÉGER VOTRE JARDIN !
- PEUT SE MONTER PARTOUT, SUR TERRE OU SURFACE DURE
- LA CIRCULATION OPTIMALE DE L'AIR FAVORISE UNE CROISSANCE ACCÉLÉRÉE

### ESPACIOSO DISEÑO AUTÓNOMO

- PROTEGE CONTRA VIENTO, HELADAS, NIEVE, INSECTOS, AVES, Y OTRAS PLAGAS
- MEJORA LAS CONDICIONES CLIMÁTICAS EN TODAS LAS REGIONES GEOGRÁFICAS
- ¡EXCELENTE PARA EMPEZAR A CULTIVAR Y PROTEGER SU JARDÍN!
- SE PUEDE MONTAR EN CUALQUIER LUGAR, SUELO O SUPERFICIE SÓLIDA
- ÓPTIMA CIRCULACIÓN DE AIRE PROPICIA PARA UNA VACELERADO CRECIMIENTO

### COMPLETE GREENHOUSE KIT

- CONTAINS:
- HotHouse™
  - Carrying Pack
  - Shade Cover
  - Ground Stakes
  - High-Wind Tie-Downs

### LE PAQUET COMPLET CONTIENT :

- HotHouse™
- Sac de protection
- Pare-soleil
- Chevilles
- Câbles de sûreté

### EL SUMINISTRO COMPLETO DEL INVERNADERO CONTIENE:

- HotHouse™
- Embalaje de transporte
- Quitasol
- Pivotes
- Cuerdas de tensión contra viento fuerte

Gro-Tec™ material with UV<sup>9</sup> resistance and rip stop protection for longer life. Power cord access for heater or fan. Convenient water hose access.



Matériau Gro-Tec™ résistant aux UV<sup>9</sup> et aux déchirures pour une plus grande longévité. Ouverture pour câble électrique, afin de raccorder un radiateur ou ventilateur. Ouverture pratique pour tuyau d'arrosage.

Material Gro-Tec™ con resistencia contra rayos UV<sup>9</sup> y protección contra rasgaduras para una larga vida útil. Acceso de cable de tensión para calentador o ventilador. Acceso adecuado para manguera de riego.



2 screened doorways with vent openings. Includes shade cover.

2 entrées avec grilles d'aération. Livré avec pare-soleil.

2 puertas de paso con rejillas y respiraderos. Incluye quitasol.



### Greenhouse Guide

Written by a leading greenhouse expert, this guide contains tips for first time and expert greenhouse users.

### Guide des serres

Rédigé par un spécialiste de renom, ce guide contient des conseils pour tous les utilisateurs de serres, débutants comme experts.

### Guía de invernaderos

Escrita por un especialista en cuestiones de invernaderos, esta guía contiene consejos para los usuarios nuevos y para los expertos en invernaderos.



P.O. Box 595 • Clio, MI 48420  
(810) 686-9252 • Fax (810) 686-5492  
www.flowerhouses.com



Model #FHSH50

MADE IN CHINA

FlowerHouse, SpringHouse, Gro-Tec, as well as the distinctive shapes and designs of FlowerHouse's products are all trademarks of FlowerHouse. US and foreign patents pending. Specifications are subject to change. 3-year warranty against manufacturer's defects. FlowerHouse, SpringHouse, Gro-Tec ainsi que les formes et designs distinctifs des produits FlowerHouse sont des marques de commerce de FlowerHouse. En attente des brevets des E.U. et pays étrangers. Les spécifications sont sujettes à changement. Garantie de 3 ans contre les défauts de fabrication. FlowerHouse, SpringHouse, Gro-Tec, así como las formas y diseños distintivos de los productos de FlowerHouse, son todos marcas registradas de FlowerHouse. Patentes americanas y extranjeras pendientes. Especificaciones sujetas a cambio. 3 años de garantía contra defectos de manufacturación.

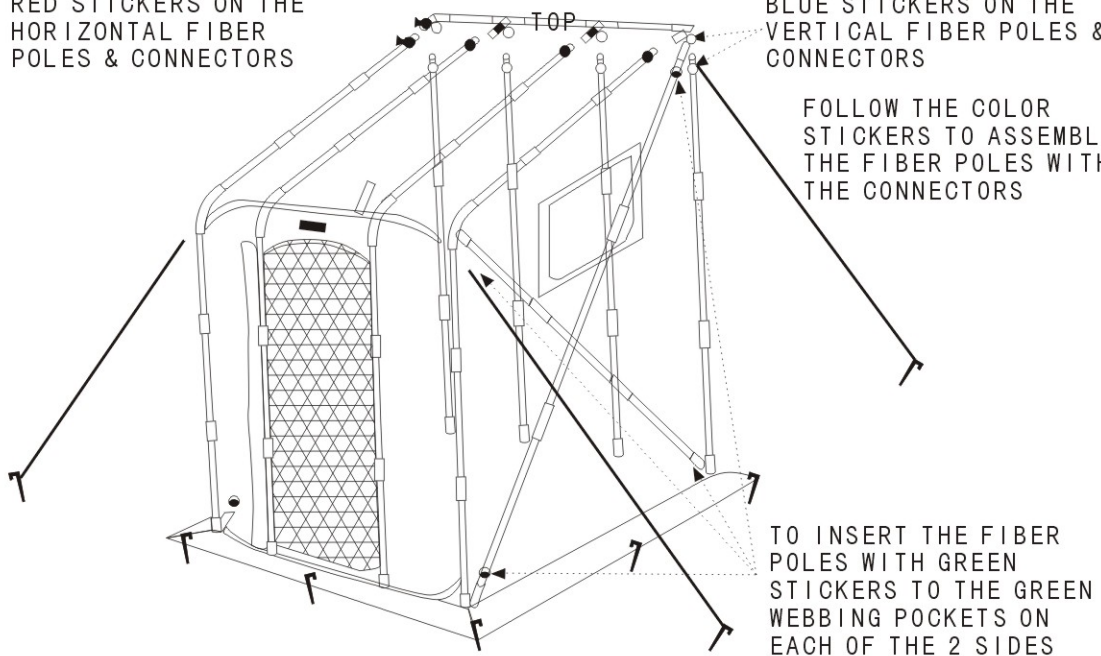
## HOTHOUSE :

## FIBER POLE AND TIE DOWN DIAGRAM

RED STICKERS ON THE  
HORIZONTAL FIBER  
POLES & CONNECTORS

BLUE STICKERS ON THE  
VERTICAL FIBER POLES &  
CONNECTORS

FOLLOW THE COLOR  
STICKERS TO ASSEMBLE  
THE FIBER POLES WITH  
THE CONNECTORS



TO INSERT THE FIBER  
POLES WITH GREEN  
STICKERS TO THE GREEN  
WEBBING POCKETS ON  
EACH OF THE 2 SIDES

### HotHouse set-up

**Step 1.** Unpack FlowerHouse and accessories, allowing the spring steel bands to pop open.

**Step 2.** Take fiberpoles out of pack and assemble completely. Ensure poles are fully seated into each other. You will have 4 "L" shaped poles, 4 straight poles, 2 longer straight poles and 1 straight pole with cross members.

**Step 3.** Install the sidewall support poles (the two longer poles) by inserting the poles into the pockets sewn inside the FlowerHouse in each bottom front sidewall corner. Insert the top end of the pole into the roof support pole (the pole with cross members) which is installed in the back roof peak.

**Step 4.** Install the back wall supports (four equal length poles) by inserting the top end of each pole in the roof support pole, then inserting the bottom end of the pole in the corresponding pocket sewn into the back bottom wall. (Hint: The pole has enough flex in it to bend while inserting into the pockets)

**Step 5.** Install the "L" shaped poles by inserting the top end into the fittings in the roof support pole. The bottom of the pole is inserted into the corresponding pocket sewn at the front edge floor, leave the pole off center till both ends of the pole are in place. Once both ends are installed, push pole into place.

**Step 6.** Stake Greenhouse in place and install high wind tie downs.

(Hint: Fiberpole pockets may be obscured behind the spring steel bands. Pull the band away from the wall and insert fiberpoles into pockets)