

# THE WEDDING CAKE II

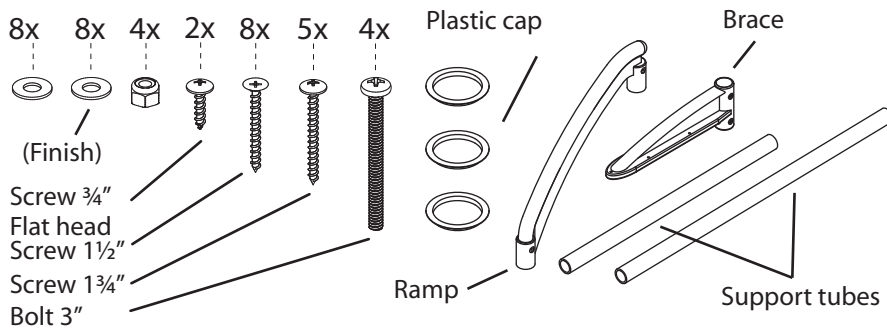
Installation

5005-an-21fev2005



www.lumi-o.com

## Material included:



Helpful hint to ease the installation of the rails and bolts, use a screwdriver to line up holes.

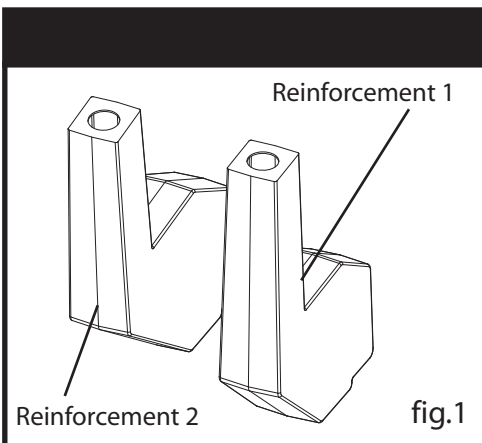
## Required tools:

- Automatic Screwdriver
- Pair of grip or monkey wrench 7/16"

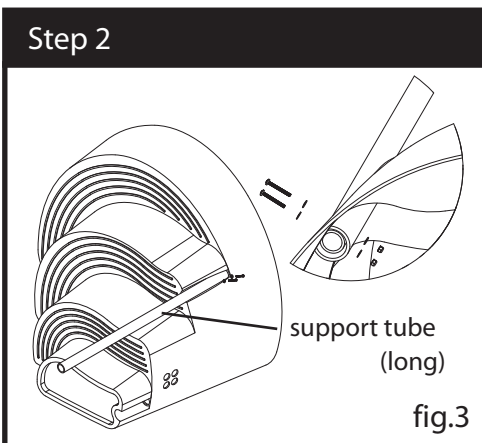
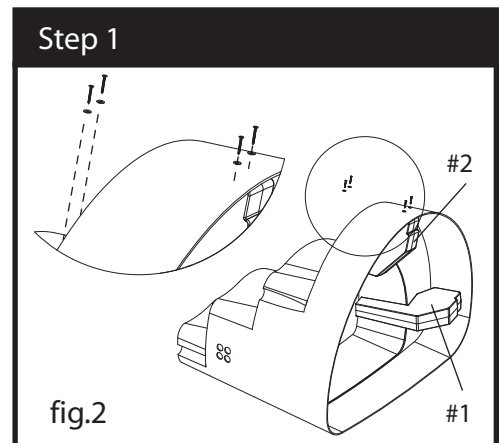
## Non included:

- Sand
- Note: You may need approximately 150 lbs. of sand

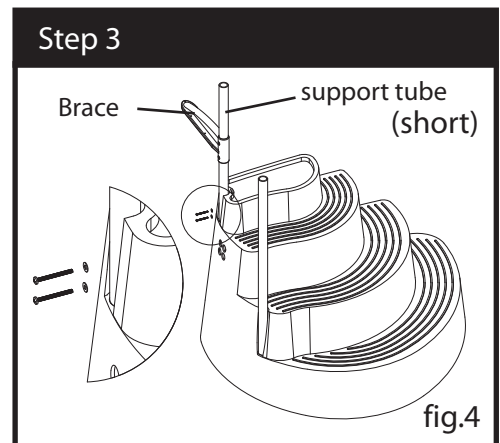
**Caution:** File off all stripped or sharp edges to avoid injury.



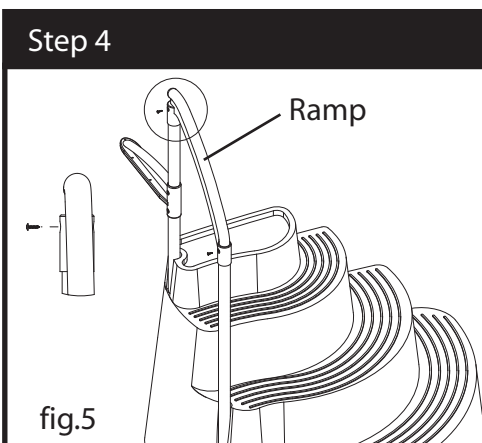
1- Fill both reinforcement pieces of sand and install the plastic caps. Lay the step and fix the reinforcement pieces caps (fig.1) at the appropriate places with the flat head screws(8) following the pre-drilled holes (fig.2).



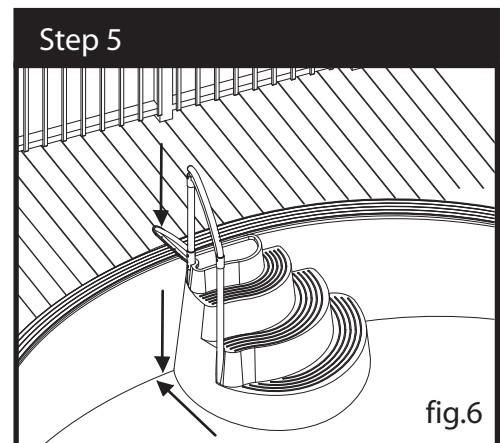
2- Insert the longer support tube in the opening at the bottom of the step and fix it with the 3 in. bolts (2), washers (4) and nuts (2) included and raise up the step (fig.3).



3- Place the shorter support tube in the opening at the top of the step. Line up the holes and fix the support tube with the 3 in. bolts (2), washers (4), and nuts (2) included. Using the opening in the back. (Do not tighten the nuts completely for now.) Slide the brace on the upper support tube (fig.4).



4- Insert the ramp on both support tubes. Fix the ramp to the support tubes with 10X3/4 in. screws (2). (Tighten completely the nuts shown at the 4th step) (fig.5).



5- Move the step into the water and allow the air to escape. Place the step against the pool wall and ensure that the step touches the ground solidly. Lower the brace until its rests on the deck (fig.6).