

### Step 6

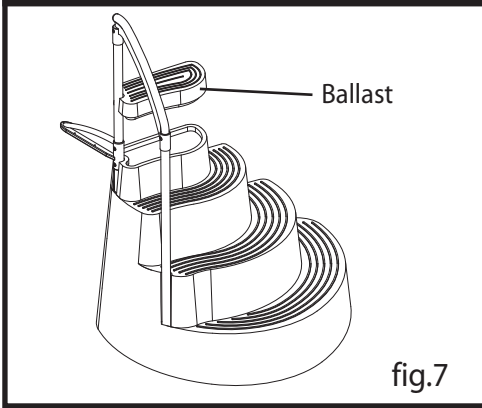


fig.7

6- Fill the ballast unit with sand, seal with the plastic cap and put the ballast unit on top of the step (fig.7).

7- Attach the brace to the deck using the 1 3/4 in. screws. If the deck is above the top rail, attach the brace directly to the deck (fig.8).

8- If the deck is lower than the pool, the brace should be shimmed\* to attain the same level as the pool (fig.9). Ensure the shim is properly secured to the deck.

9- If the pool is lower than the deck, the brace should be shimmed\* to attain the same level as the deck. Ensure the shim is properly secured to the top rail (fig.10).

**Remember:**  
Nothing replaces parental supervision-Watch children at all time.

### Step 7

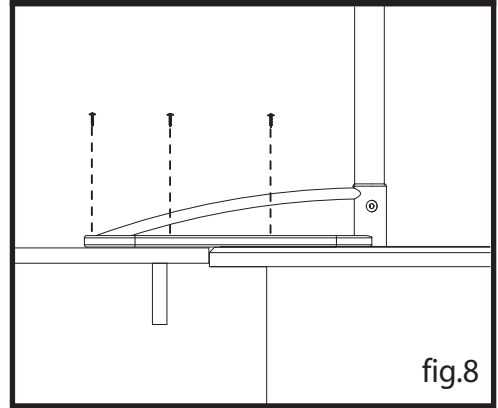


fig.8

### Step 8

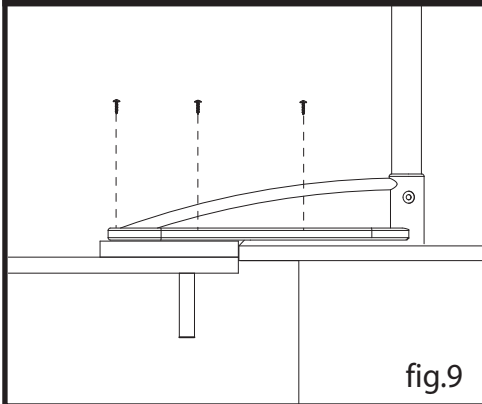


fig.9

### Step 9

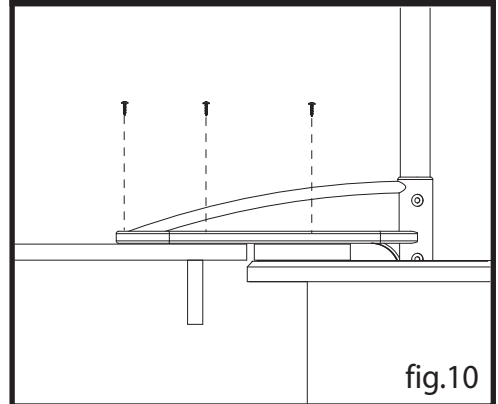
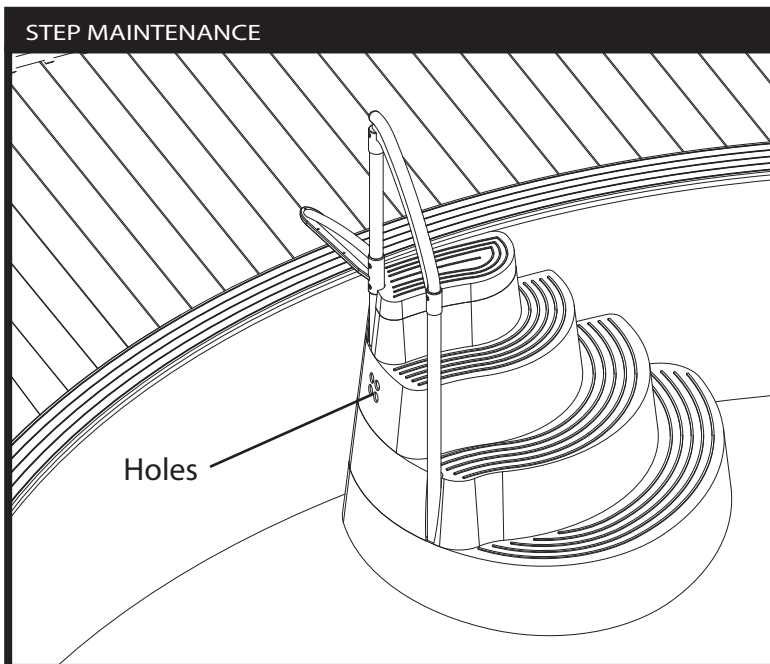


fig.10

## STEP MAINTENANCE

- 1- When adding water in your pool, insert the nozzle of your hose in the side holes of the step to allow a good water circulation throughout the season.
- 2- When treating your water do not forget to treat the water inside your step.



## Caution

- Install the step on a solid base.
- Do not jump or dive from the step.
- The step should be removed from the water when temperatures drop below freezing.
- Never lift the step by its rail.
- Use battery-operated tools to avoid electric shock near water.
- Ensure no corrosive materials are added to the step.
- The step shall be installed per manufacturer's instructions.
- The manufacturer is not responsible for damages or injuries caused by improper installation or use.

This model require a maximum inclination of the bottom of the swimming pool of approximately 2 degrees.

\*Not included with the step.



5005-an-21fev2005