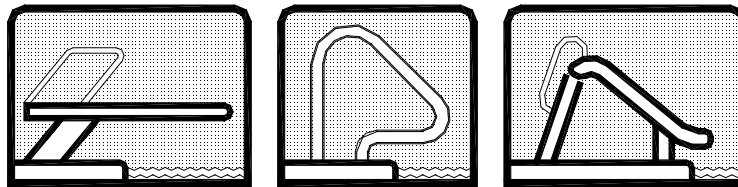


THE ROGUE™ FUNSLIDE™

ASSEMBLY AND INSTALLATION INSTRUCTIONS

S.R. Smith, LLC



**** CAUTION ****

S.R. SMITH ROGUE™ FUNSLIDES™ ARE MANUFACTURED FOR INSTALLATION AND USE ON RESIDENTIAL INGROUND POOLS ONLY. ROGUE™ FUNSLIDES™ ARE NEVER TO BE INSTALLED AND USED ON PUBLIC INGROUND POOLS, ABOVEGROUND POOLS, ONGROUND POOLS, HOUSEBOATS, BOAT DOCKS, FLOATING DOCKS OR PLATFORMS

CORPORATE HEADQUARTERS
WESTERN SALES AND MANUFACTURING PLANT
P.O. Box 400 • 1017 SW Berg Parkway
Canby, Oregon 97013
(503) 266-2231 • (503) 266-4334

Table of Contents

<u>Topic</u>	<u>Page #</u>
Introduction.....	2
Applicable Standards and Codes.....	2
Assembly and Installation.....	2
Drawings.....	2
Parts List	3
Slide Deck Anchor Flange Kit.....	3
Left Curve Footprint.....	4
Right Curve Footprint.....	5
Left Curve Slide with Flush Deck Mounting.....	5
Assembly Instructions for In-Deck Mounting.....	6
Assembly Instructions for Flush Deck Mounting.....	9
Electrical Bonding.....	10
Manufacturer's Placement Instructions.....	10
Installed Slide's Structural & Installation Checklist.....	12

INTRODUCTION

S.R. Smith Rogue™ FunSlides™ are manufactured for installation and use on residential inground swimming pools only. S.R. Smith Rogue™ FunSlides™ are NEVER to be installed and used on public inground pools, aboveground pools, onground pools, houseboats, boat docks, floating docks or platforms.

APPLICABLE STANDARDS AND CODES

1. All S.R. Smith Rogue™ FunSlides™ are manufactured in accordance with Consumer Products Safety Commission STANDARD FOR SWIMMING POOL SLIDES, 16 CFR Ch. 11 Part 1207 (latest edition).
2. Installer must comply with all applicable governmental and building codes.

ASSEMBLY AND INSTALLATION

All S.R. Smith Rogue FunSlides™ are inspected prior to shipment from the factory. Proper assembly and installation is mandatory. Improper assembly and installation voids S.R. Smith's warranty and may affect the safety of the user. S.R. Smith cannot and does not guarantee customer's concrete deck.

DRAWINGS

All drawings in these Assembly and Installation Instructions (FIGURES A through L) are for illustration purposes only and are NOT TO SCALE.

PARTS LIST

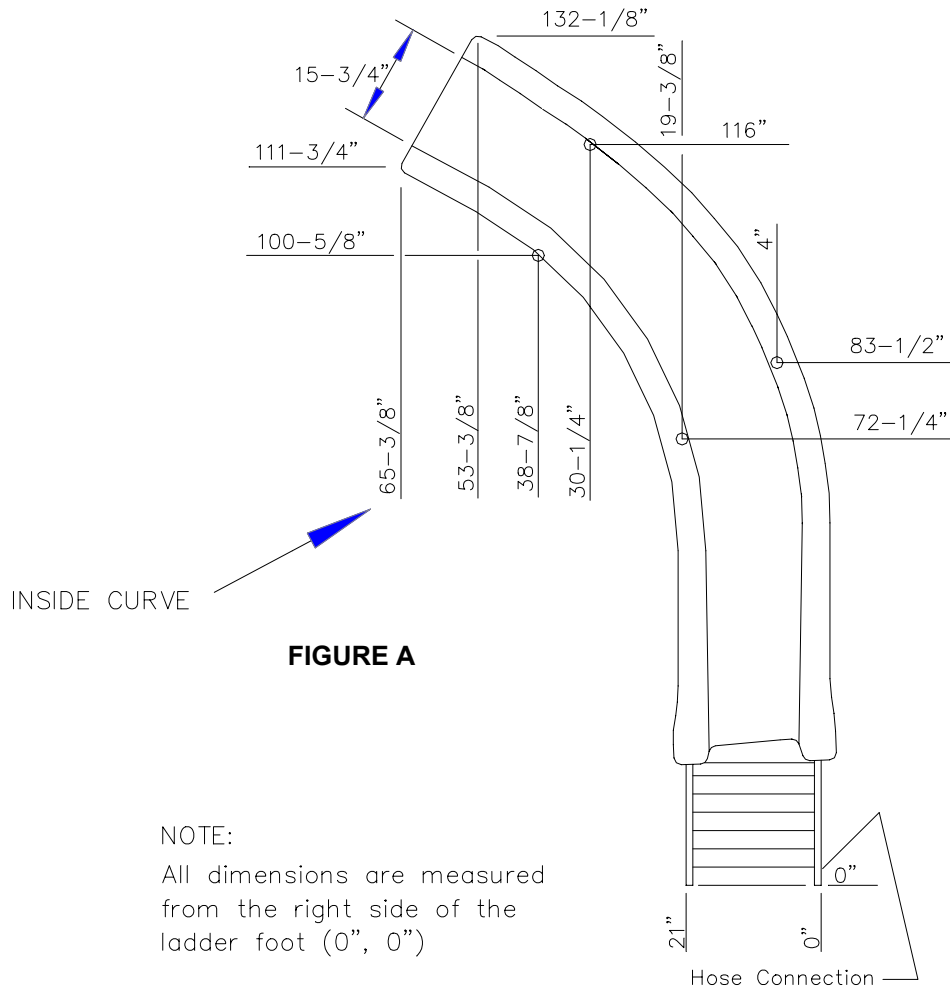
Ref # *	PART #	DESCRIPTION	QUANTITY
1	05-754	3/4" x 3/4" FGHT x 3/4" FIP Swivel	1 ea.
2	05-756	3/4" MPT x 1/2" Hose Barb Elbow	1 ea.
3	02-605	1/2" Braided Tubing	6 ft.
4	05-757	1/2" FIPT x 1/2" Hose Barb Elbow	1 ea.
5	05-758	1/2" MPT x 3/8" Hose Barb Tee	1 ea.
6	05-762	1/2" Med S/S Clip	1 ea.
7	05-760	1/2" Plastic Hose Clamp	2 ea.
8	05-761	3/4" Plastic Hose Clamp	2 ea.
9	05-31-110	5/16" x 1" Hex Washer Head Tek Screw	4 ea.
10	05-14-101	5/16" x 1" Lag Screw C/S	2ea.
11	05-14-102	5/16" x 7/8" Flat Washer	2 ea.
12	05-622	5/16" x 3/4" Black Rubber Washer	2 ea.
13	05-34-101	1/4" x 20 x 1" Thread Cut Screw	2 ea.
14	05-32-102	1/4" x 1/4" Fender Washer	2 ea.
15	05-31-102	5/16"-18 x 6" Carriage Bolts	6 ea.
16	05-31-103	5/16" Lock Washer C/S	6 ea.
17	05-33-101	5/16"-18 Hex Nut C/S	6 ea.
18	01-201-3	5" Aluminum Spacer	6 ea.
19	05-14-124	1/4" x 1/2" Sheet Metal Screw	5 ea.
20	05-143	1/4" x 3/4" Flat Washer C/S	5 ea.
21	06-642	Rogue Slide Assembly & Installation Instructions	1 ea.
22	06-643	Rogue Owner's Manual	1 ea.

SLIDE DECK ANCHOR FLANGE KIT (OPTIONAL – For Flush Deck Mounting)

Ref # *	PART #	DESCRIPTION	QUANTITY
22	**	Deck Anchor Flange	4 ea.
23	05-14-111	1/4" x 5/8" Flat Washer	28 ea.
24	05-14-117	1/4"-20UNC Hex Lock Nut S/S	24 ea.
25	05-14-123	1/4"-20UNC x 2-3/4" Hex Head Cap Screw	4 ea.
26	05-144	1/4"-20UNC x 2-1/4" Anchor Stud C/S Zinc Plated	20 ea.
27	06-622	Anchor Flange Installation Instructions	1 ea.
28	01-500	3/8" O.D. Aluminum Bushing	4 ea.

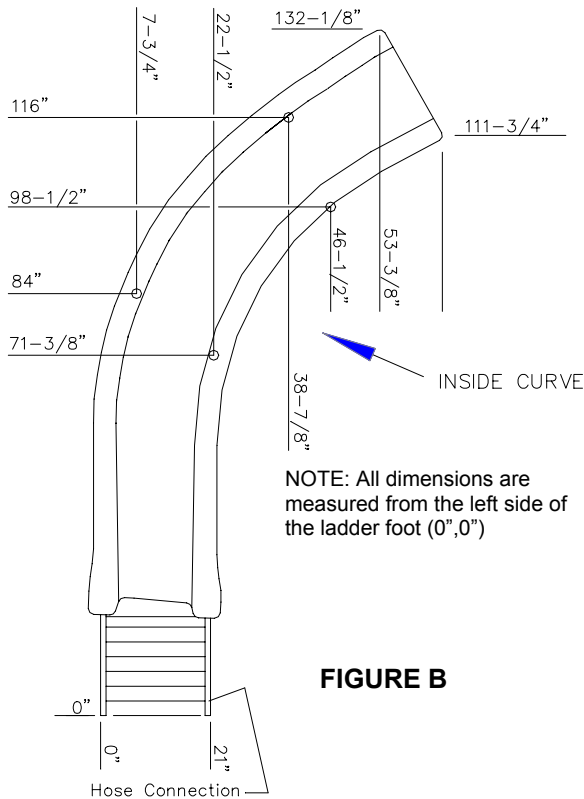
* Ref #s are shown as (#__) in these ASSEMBLY AND INSTALLATION INSTRUCTIONS

** Deck anchor flanges are available in plastic (05-623) or aluminum (75-209-5000).



LEFT CURVE FOOTPRINT

The purpose of this footprint is to serve as a GUIDELINE ONLY for approximate placement of the slide relative to the pool's edge. The actual dimensions after installation may vary according to the slope of the deck and the angle that the slide is oriented relative to the pool wall. **YOU MUST FOLLOW THE INSTALLATION INSTRUCTIONS AS PRINTED IN THIS MANUAL.**



RIGHT CURVE FOOTPRINT

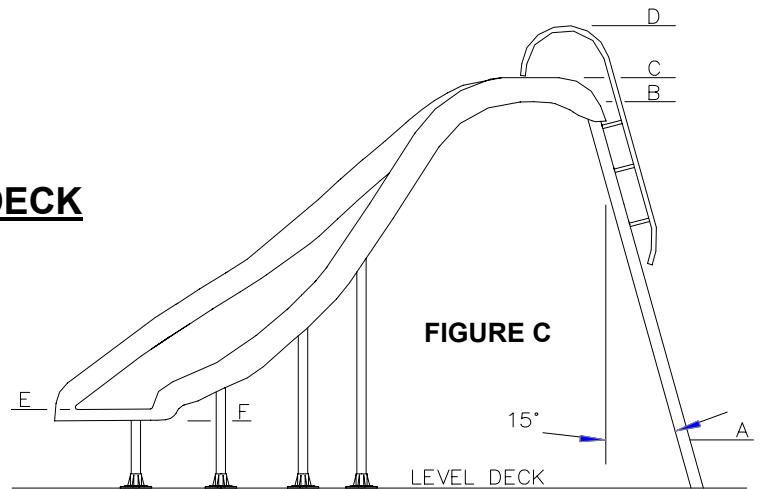
The purpose of this footprint is to serve as a GUIDELINE ONLY for approximate placement of the slide relative to the pool's edge.

The actual dimensions after installation may vary according to the slope of the deck and the angle that the slide is oriented relative to the pool wall.

YOU MUST FOLLOW THE INSTALLATION INSTRUCTIONS AS PRINTED IN THIS MANUAL.

LEFT CURVE SLIDE WITH FLUSH DECK MOUNTING

The purpose of this side view is to serve as a GUIDELINE ONLY for approximate placement of the slide relative to the deck. The actual dimensions after installation may vary according to the slope of the deck and the angle that the slide is oriented relative to the pool wall. When installing the slide in the deck, these dimensions will be reduced by at least 3-1/8 inches.



HEIGHT ABOVE DECK LEVEL OF:

- (A) Bottom of first ladder step:
- (B) Top runway surface:
- (C) Top runway side rail:
- (D) Top of handrail:
- (E) Exit runway surface:
- (F) Bottom of slide at exit end:

LEFT CURVE

- 11-1/2"
- 78-3/8"
- 83-3/4"
- 94-3/4"
- 12-7/8"
- 11-1/8"

RIGHT CURVE

- 11-5/8"
- 78-1/2"
- 83-3/4"
- 94-3/4"
- 14"
- 11-7/8"

ASSEMBLY INSTRUCTIONS FOR IN-DECK MOUNTING

1. Place the slide runway upside down on a surface that will not scratch the slide.
2. Open the ladder and parts carton and locate the ladder and the 4 legs.
3. Insert the top of the slide ladder all the way into the two sockets in the slide. NOTE: The top of the ladder is the end with the side rails cut square.
4. Insert the numbered slide legs into the corresponding leg sockets of the slide. Do not attach the legs permanently at this point.
5. Carefully turn the slide with the legs and ladder upright for setup. It will be necessary for two people to perform this to avoid damage to the slide and the legs. If necessary use something such as tape to temporarily hold the legs in place while turning the slide over.
6. Place the slide at the desired location relative to the pool wall. See MANUFACTURER'S PLACEMENT INSTRUCTIONS on pages 10 & 11.
7. Ensure that the exit runway surface does not exceed 20 inches above the water surface, nor less than 8 inches above the deck/coping surface (see FIGURE I page 10). The exit runway surface is measured at the point of transition between the runway and the beginning of the exit end radius.
8. Ensure that the ladder is not twisted relative to the slide.
9. Insert 3/8" diameter rebar (not provided) into the holes located at the bottom of each leg making sure that the rebar will be a minimum of three inches (3") below the deck surface.
10. Install electrical bonding as local code specifies (see ELECTRICAL BONDING page 10).
11. Secure the ladder so that the ladder steps are level, from side to side, and the ladder is sloped 15 degrees from vertical (see FIGURE C page 5).
12. Run the (#3) 1/2" braided tubing up one side of the ladder through the holes located on the end of the steps. For a right curve slide run the braided tubing up the right side of the ladder. Do just the opposite for a left curve slide.
13. Insert at the bottom of the braided tubing a (#2) 3/4" male pipe thread x 1/2" hose barb fitting coupled with a (#1) 3/4" swivel for water attachment. Secure with a (#8) 3/4" plastic hose clamp. This will be placed just below the last step of the ladder.
14. At the top of the braided tubing insert the (#4) 1/2" female pipe thread x 1/2" hose barb elbow coupled with a (#5) 1/2" pipe thread x 3/8" hose barb tee. Use teflon tape at connection to prevent leaking. Secure with a (#8) 3/4" plastic hose clamp.

15. Adjust the top runway of the slide so that it is level, from side to side (position A) and lengthwise (position B) as shown in FIGURE D.

16. Underneath the top portion of the slide, on the inside flat surface next to the ladder socket, use the existing holes as a template to drill a 1/4 inch hole through each ladder side rail (see FIGURE E below).

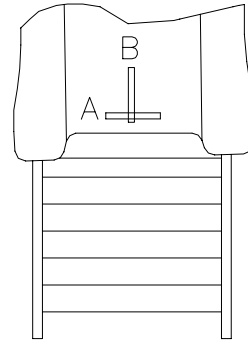
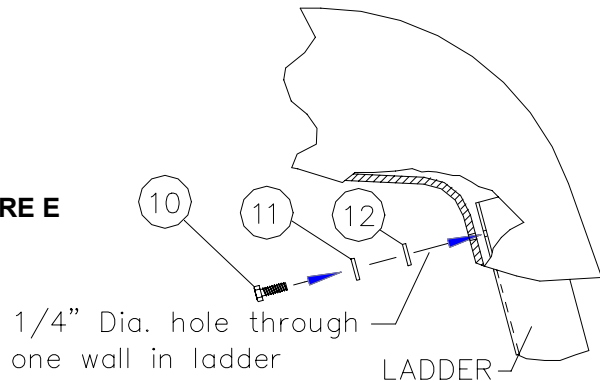


FIGURE D

17. To secure the ladder to the slide screw into the previously drilled holes (one per side rail) a (#10) 5/16" x 1" lag screw, a (#11) 5/16" x 7/8" flat washer and a (#12) 5/16" x 3/4" rubber washer tightening to 8 ft.-lbs of torque. DO NOT OVER TIGHTEN. In addition to this, for the hole closest to the braided tubing, also use a (#6) 1/2" med. S/S clip to secure the braided hose with the attached fittings up against the slide.

FIGURE E

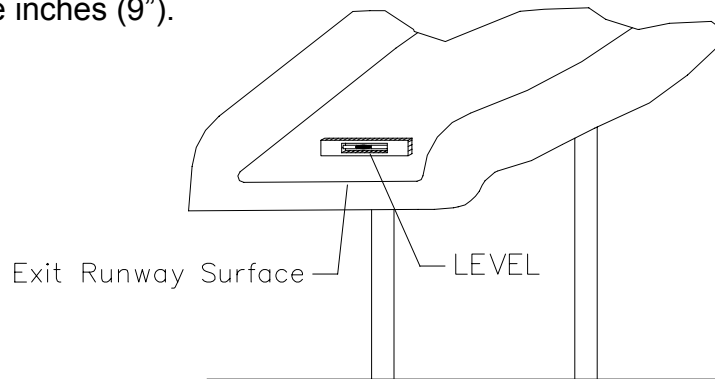


1/4" Dia. hole through one wall in ladder

18. Attach the 3/8" tubing from the slide to the tee and secure with the (#7) 1/2" plastic hose clamps.

19. Level as close as possible the exit runway surface horizontally from side to side, approximately nine inches (9") up from the exit end, using a small level no longer than nine inches (9"). (see FIGURE F)

FIGURE F



20. If necessary the legs can be adjusted up and down within the leg sockets to help adjust for level. Once the slide is properly leveled the legs shall be permanently attached by drilling a 1/4" hole into each leg using the hole on the leg socket as a guide and fastening with a (#9) 5/16" Hex Head Washer Head Tek Screw.
21. Insert the two handrails into the holes on the top of the slide runway rails and secure using a (#13) 1/4"-20UNC x 1" Thread Cutting Screw and a (#14) 1/4" x 1-1/4" Fender Washer (see FIGURE G).
22. Insert three (#18) 5" Handrail Spacers into the holes on the inside of the handrail on the inside of the handrail and secure using a (#15) 5/16"-18UNC x 6" Carriage Bolt, (#16) 5/16" Lock Washer and a (#17) 5/16"-18UNC Hex Nut. Tighten to a minimum of 1 ft.-lb. of torque.
23. Repeat this procedure for installation of the second handrail.
24. Plumb the water supply to the slide ladder as desired. Install water supply line to base of ladder.
25. After connecting the water hose to ladder water connection, turn on water slowly, to check for leaks. Adjust water flow until spray nozzles provide a uniform water spray over the runway surface without any over spray.
26. Secure the slide, so that it will not move during the concrete pour, to ensure that the settings remain the same.
27. SUGGESTION: To ensure easy removal of concrete from legs and ladder, wax or wrap with wax paper approximately 12 inches above deck level.
28. Proceed with pouring the concrete deck and finish as desired. Let concrete cure 24 hours before using slide.

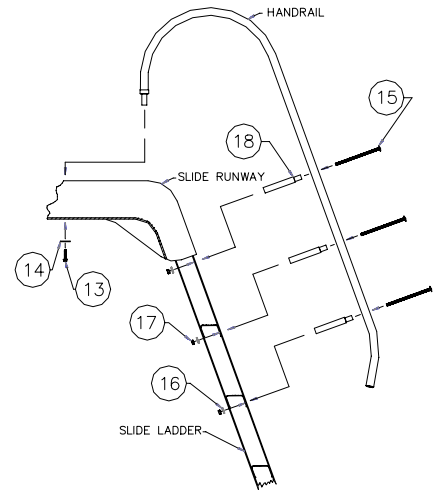
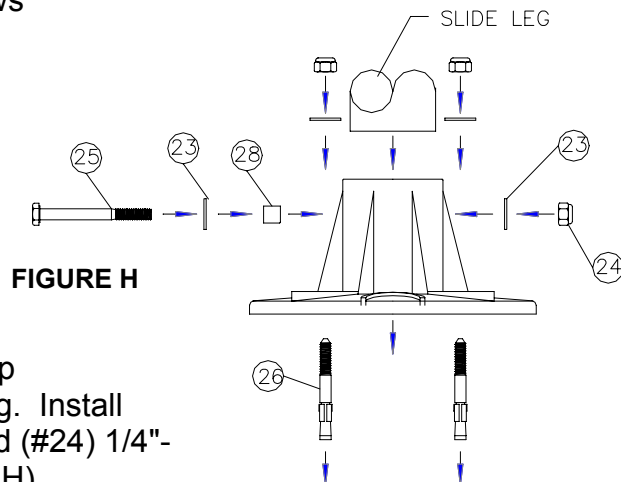


FIGURE G

ASSEMBLY INSTRUCTIONS FOR FLUSH DECK MOUNTING

The following instructions are for mounting a slide on an existing deck.

1. Follow the steps listed on the previous page for in-deck mounting, as they are the same with the exception of the attachment of the deck anchor flanges. NOTE: Rebar will not be used.
2. Place a deck anchor flange over each end of the slide legs.
3. Using the four holes on each flange as a template (see FIGURE H below), drill four 1/4" holes per flange 1-3/8" deep. CAUTION: Do not drill holes larger than 1/4". Maintain drill hole straight and perpendicular for proper holding strength of anchor stud.
4. Raise the flange up the leg and secure in place while using a hammer to drive the (#26) 1/4"-20UNC x 2-1/4" Anchor Stud, with a (#24) 1/4" Hex Lock Nut on top, into the hole leaving 7/8 of an inch of the stud above the deck. Then tighten the nut until it is flush with the deck. Then, tighten the nut approximately three turns to set the anchor stud. Finally, remove the nuts.
5. Secure the four flanges with (#23) 1/4" x 5/8" Flat Washers and (#24) 1/4" -20UNC Hex Lock Nuts.
6. Using the two holes on each ladder feet as templates, drill holes 1/4" diameter by 1-3/4 inches deep and secure (#26) Anchor Studs as described in 3 & 4 above.
7. Secure the two ladder feet with (#23) 1/4" x 5/8" Flat Washers and (#24) 1/4" -20UNC Hex Lock Nuts while insuring that the ladder maintains 15 degrees from vertical.
8. Drill a 1/4" diameter hole into the slide leg through the 3/8" diameter hole in the flange. Insert the (#28) 3/8" O.D. Aluminum Bushing into the hole in the deck flange and push in until it contacts the slide leg. Now insert the (#25) 1/4"-20UNC x 2-3/4" Hex Head Cap Screws and (#23) 1/4" x 5/8" Flat Washers through the bushing and in about a 1/2" into the hole in the slide leg. With the cap screw in position, drill a 1/4" hole into the slide leg through the 5/16" diameter hole in the opposite side of the deck flange. Take care not to run the drill bit into the 1/4" bolt. Push the cap screw completely through the slide leg. Install the (#23) 1/4" x 5/8" Flat Washers and (#24) 1/4"-20UNC Hex Lock Nuts (see FIGURE H).



MANUFACTURER'S PLACEMENT INSTRUCTIONS

1. The critical dimensions for placement of the slide are as shown in FIGURES I and J.
 - A. The slide exit runway surface shall not exceed twenty inches (20") above the water surface and not less than eight inches (8") above the deck/coping surface (see Figure I).
 - B. The slide shall be positioned so that all water flowing off the runway exit drops into the pool.
 - C. The minimum depth of water below the exit lip of the slide shall be three feet (3') and increases to four feet six inches (4'-6") at Pt.A which is a distance of four feet six inches (4'-6") from the exit lip of the slide. (see Figure I).
 - D. A minimum depth of four feet six inches (4'-6") shall be maintained at a distance of nine feet (9') along the extended centerline of the slide from Pt.A. (see FIGURE I).

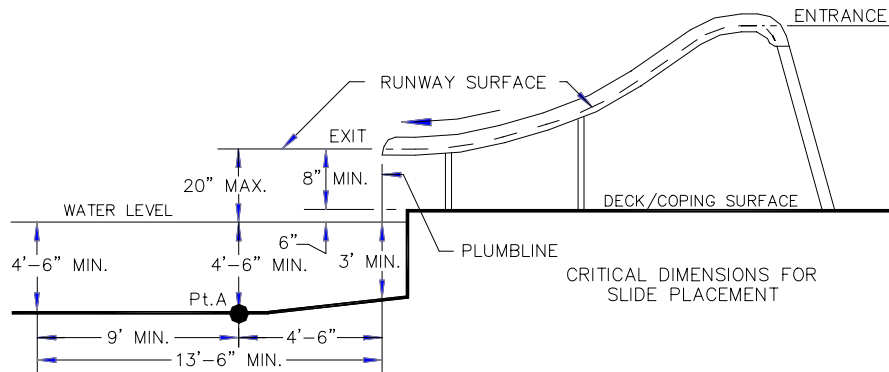


FIGURE I

2. A minimum clearance area in front of the slide shall be maintained away from the coping, another slide, a diving board or a rope and float line. (see FIGURE L)

- A. The minimum clearance distance on either side of the extended centerline of the slide runway shall not be less than three feet six inches (3'-6") at a point no less than two feet six inches (2'-6") from the exit of the slide and extending a distance of thirteen feet six inches (13'-6") in front of the slide. (see FIGURE J)

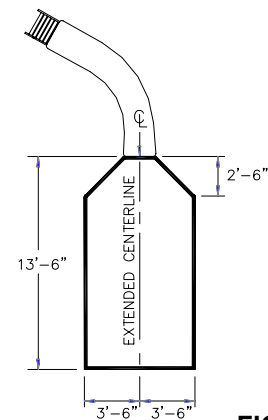


FIGURE J

- B. The minimum clearance area in front of a diving board is a minimum distance of three feet six inches (3'-6") on either side of the board's centerline. Pt.C extends a minimum distance of "C" from the tip end of the board. The width distance "W" on either side of Pt.C is given in CHART 1 and shown in FIGURE K.

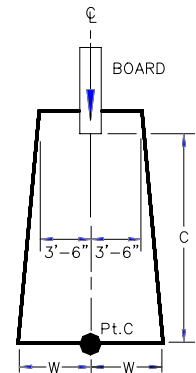
CHART 1

BOARD MINIMUM CLEARANCE AREA		
TYPE	"C" DIMENSION	"W" DIMENSION
I	14'-6"	5'-0"
II	14'-6"	6'-0"
III	16'-6"	6'-0"
IV	18'-6"	7'-6"
V	21'-0"	7'-6"

See ANSI/NSPI-5 1995 STANDARD FOR RESIDENTIAL INGROUND SWIMMING POOLS Article 5.8 Drawings and Diagrams of Type I-V Diving Equipment Pools.

"C" DIMENSION FOR BOARD = AB + BC

"W" DIMENSION FOR BOARD = WIDTH AT PT.C



BOARD MINIMUM CLEARANCE AREA

FIGURE K

C. The minimum clearance area of a slide or diving board shall not intersect any coping or rope and float line. (see FIGURE L) The minimum clearance area of a slide or diving board may intersect each other provided that they are not used simultaneously.

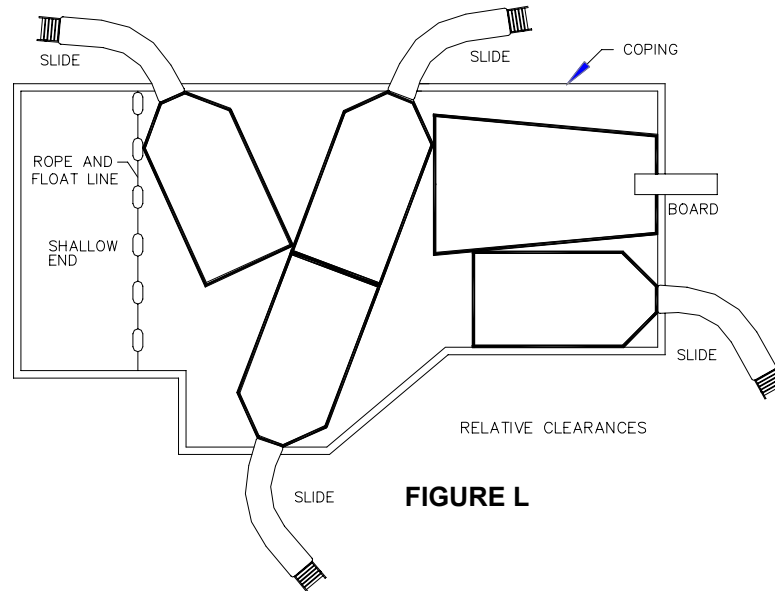


FIGURE L

ELECTRICAL BONDING

If electrical bonding is required by the local governmental regulations, it shall be done in accordance with Article No. 680 of the current National Electrical Code of the local Code whichever is greater. Five (#19) 1/4" x 1/2" Sheet Metal Screws and five (#20) 1/4" x 3/4" Flat Washers are provided for this purpose. Secure one per slide leg and one per ladder.

INSTALLED SLIDES' STRUCTURAL & INSTALLATION CHECKLIST

1. Inspect the runway for visible cracks or tears.
2. Inspect the slide for sharp edges, protrusions, cracks or tears.
3. Inspect all attachment flanges for loose or corroded fasteners.
4. Inspect all ladder tread or step-attachment points for evidence of shear, bending yield, or fatigue in the ladder steps, rails, or attachments means. Yield is evidenced by crystallization or fine cracking of the ladder tread and/or surface.
5. Inspect the ladder handrails for rigidity and attachment. (Can they be pulled out of their sockets?)
6. Measure the following dimensions and compare with the Manufacturer's Placement Instructions on pages 10 and 11. Also review the ANSI/NSPI-5 1995 STANDARD FOR RESIDENTIAL INGROUND SWIMMING POOLS.
 - Measure the depth of water in front of the slide exit. (4-1/2' min. depth 4-1/2' from exit end of slide.)
 - Measure the height of the slide runway exit above the water. (20" max.)
 - Measure the distance between the slide centerline and the edge of other pool equipment.
7. Observe the position of the exit of the slide as shown in FIGURES J, K and L on pages 10 and 11.

IMPORTANT

PERSONALLY GIVE TO SLIDE OWNER THE ROGUE™ FUNSLIDE™ OWNER'S MANUAL, THE WARRANTY CARD AND ANSWER ALL QUESTIONS.