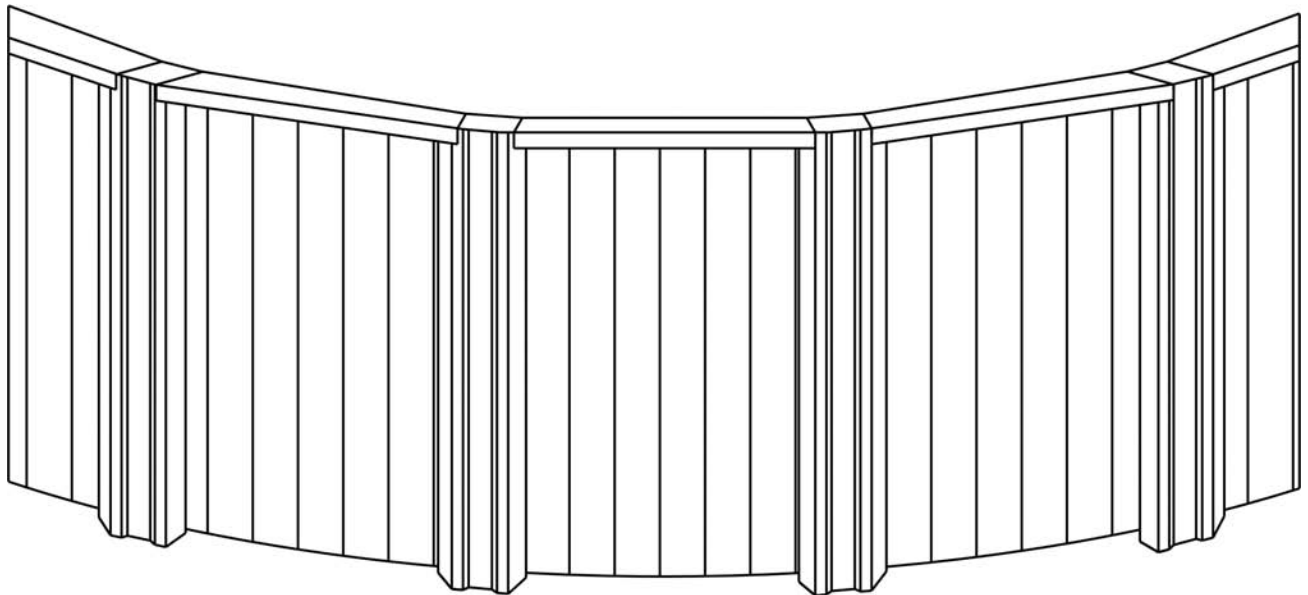


# Trinidad Slat Wall Pool Instructions

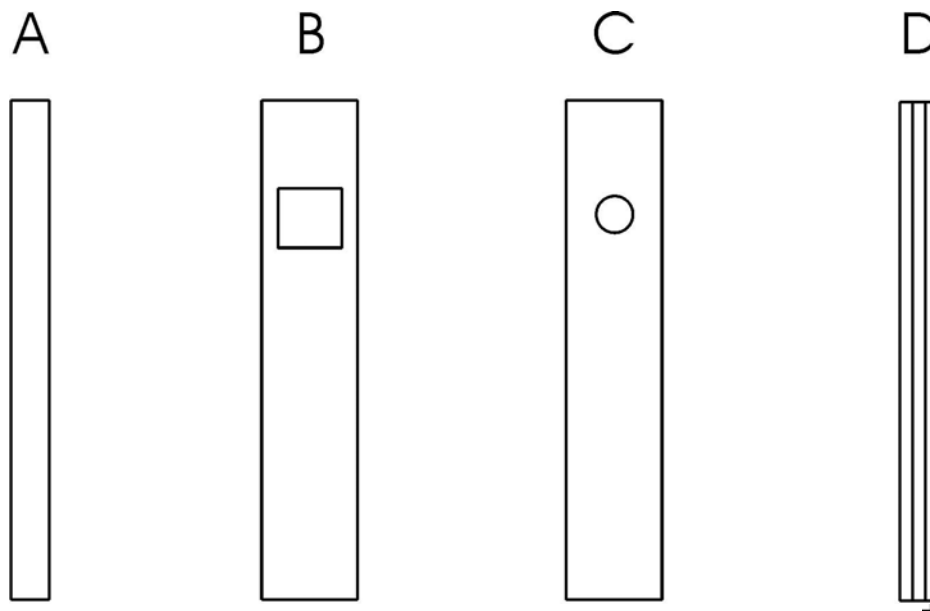
This slat wall above ground pool is installed just like a regular pool except for the pool wall itself. The traditional rolled metal wall is replaced with extruded aluminum slats that give the pool superior strength.

Follow the regular above ground pool installation instructions that come with your pool, however, please refer to these installation instructions for all segments that refer to the pool wall.

Please note that we include three extra slats just in case you have any parts that are damaged in transit or at the job-site. We know how frustrating it can be to stop a job due to a damaged part and we take every precaution to make sure that does not happen.



There are two different types of tracks, the top tracks and the bottom tracks. They look similar, but they are different lengths. The shorter tracks must go on the top of your pool, and the longer track must go on the bottom. Please refer to your packing slip to determine the exact length.



The wall of your pool has four different types of slats. Please separate the four different types of slats before you begin. The smooth surface of the slat ALWAYS faces in toward the water side of the pool. All ribs and bumps are on the outside, or dry side of the pool. Shown above are the four different types of slats.

**\*VERY IMPORTANT\***

**BE SURE TO IDENTIFY AND SEPARATE THE DIFFERENT SLATS BEFORE BEGINNING INSTALLATION.**

- A IS A REGULAR SLAT
- B IS A SKIMMER SLAT
- C IS A RETURN SLAT
- D IS A BEAM SLAT

Please note:

**\*\*THE FIRST SLAT INSTALLED MUST  
BE THE SKIMMER SLAT\*\***

You can place your skimmer and return slats anywhere you want to on the pool. However, we recommend you keep the following in mind:

1. You will need to run plumbing to both the skimmer and the return slat, so place them in a location that is close to your filtration system.
2. Keep the return and the skimmer separated by at least 3 regular slats, but not more than 8 slats (this is how we show them in the wall installation diagrams).

We will supply 10 extra slats with your pool. This is to cover any damaged slat ends that you might come across during the installation process.

When installing, simply slide the slat into the groove of another slat. You may need to gently tap the slat down using a rubber mallet or hammer using a block of wood to prevent any denting or nicking of the slat. The last slat installed is often particularly tricky. The use of 3-in-1 household oil or WD-40 often helps (do not use motor oil).

**DO NOT USE EXTRA SLATS UNLESS YOU HAVE DAMAGED  
ONES. A POOL WITH EXTRA SLATS IN THE WALL WILL  
FAIL. THIS IS EXTREMELY DANGEROUS.**

## Please note:

There are two different types of tracks, the top tracks and the bottom tracks. They look similar, but they are different lengths. The shorter tracks must go on the top of your pool, and the longer track must go on the bottom. Please refer to your packing slip to determine the exact length. The bottom track slides into the bottom plate. The top track does not slide into the top plate, it slides over the wall between the top plates.

See diagrams below:

Top track is installed in between top plates.  
It does not overlap or enter top plates.

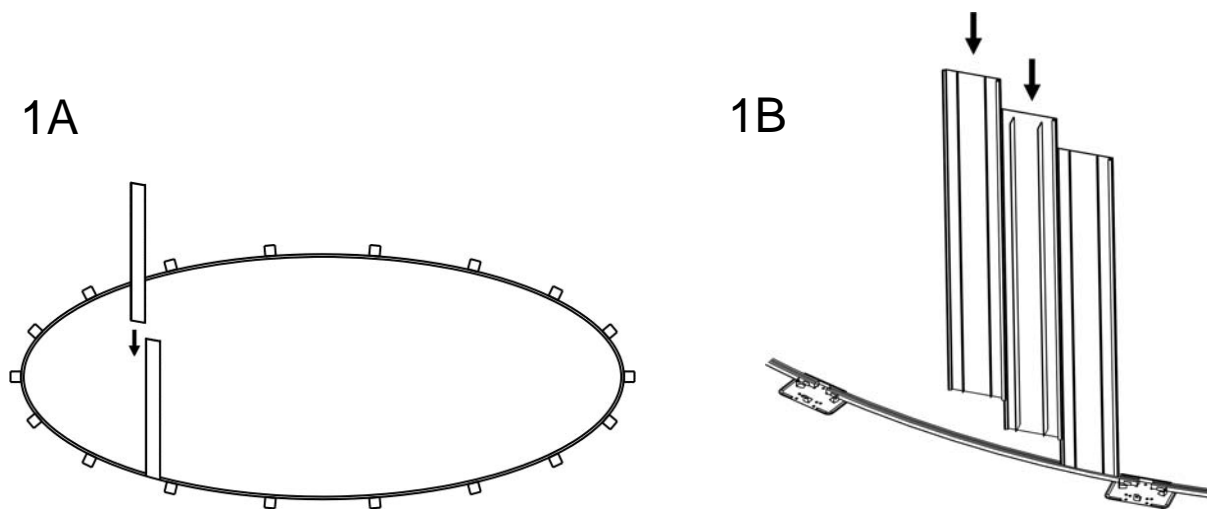


Bottom track is inserted up to the dimple only.

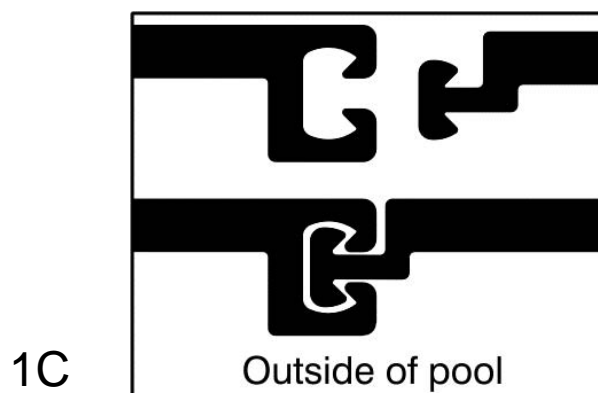


## Step 1.

Installation of the pool wall will be easier with a team of four people. Begin the installation of your slat wall pool by placing the skimmer slat in the bottom track. Slide the second slat into place next to the first slat (see diagram 1A and 1B). One person needs to hold the end of the slat wall so that it does not fall down. Until the pool is completely assembled, someone always needs to keep hold of the end of the pool wall.

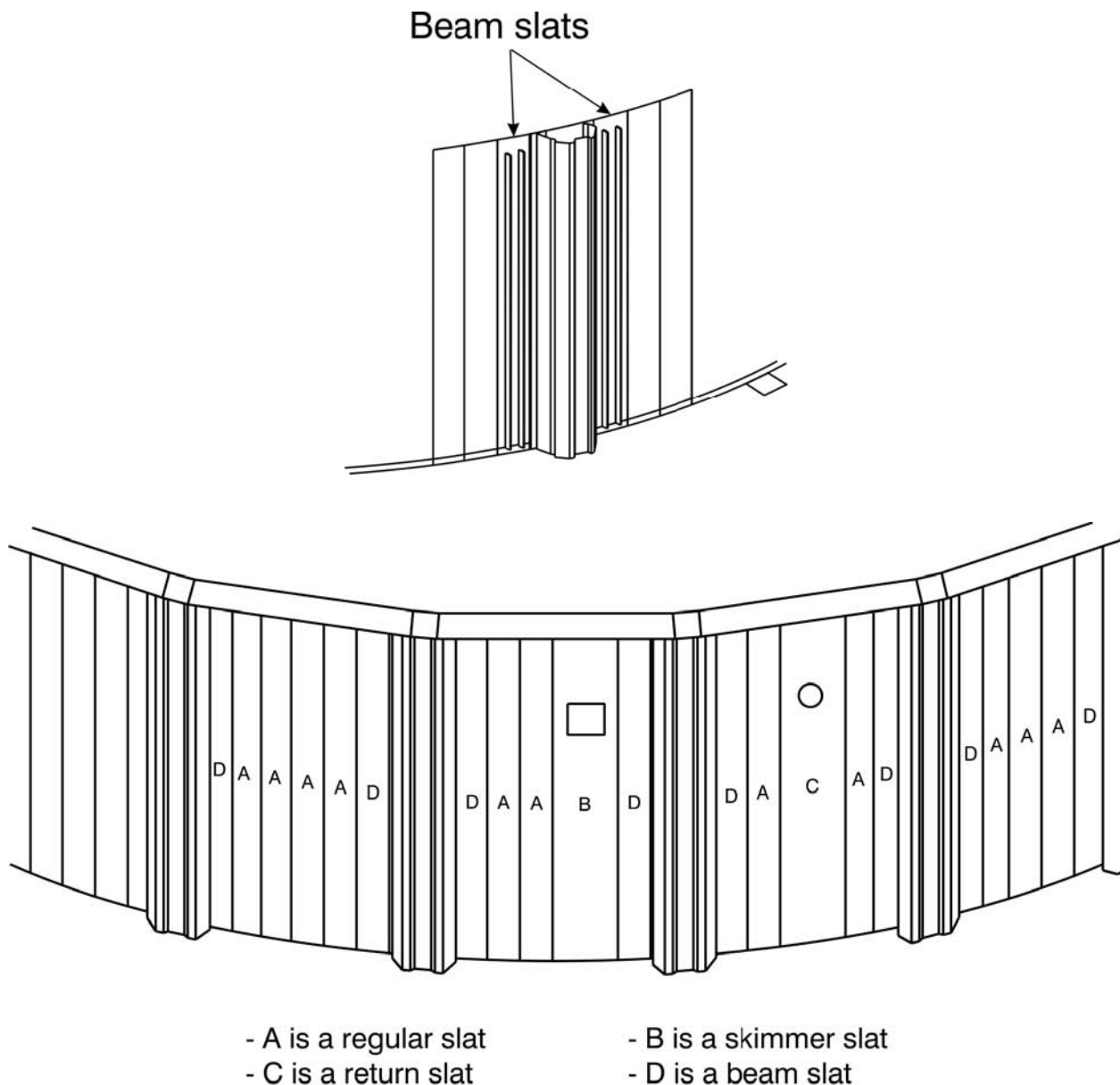


The edges of the slat should interlock as shown in diagram 1C. Make sure that the smooth surface of the slats, are facing in toward the wet side for the pool and the ribs and bumps are facing outward toward the dry side of the pool.



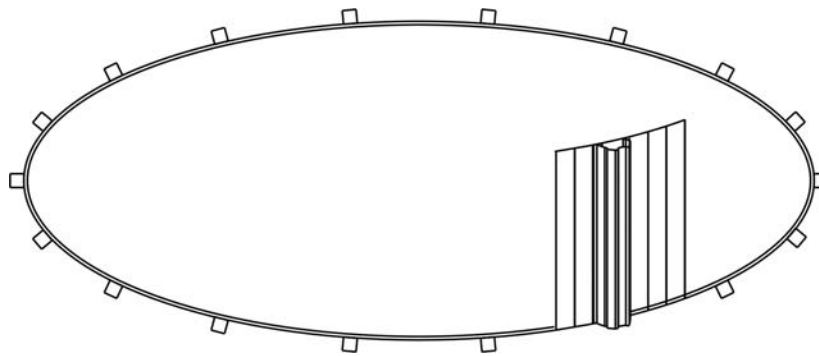
## Step 2.

There are several different kinds of slats that go on your pool. The Beam slats have two large ribs on them. You should place one beam slat on either side of each pool upright. The beam slats can be 0-10 inches away from the upright. The upright should be roughly centered between the two beam slats. The diagram below shows the pattern of beam slats to uprights.



### Step 3.

Continue to install slats until you have a section of wall about five feet long. Once you have completed a five-foot section, you are ready to start to install the pool frame onto the pool wall. See diagram below showing section of pool wall that is long enough to start to install the frame.



**Throughout installation, be sure to verify that the Bottom Rail distance is consistent.**

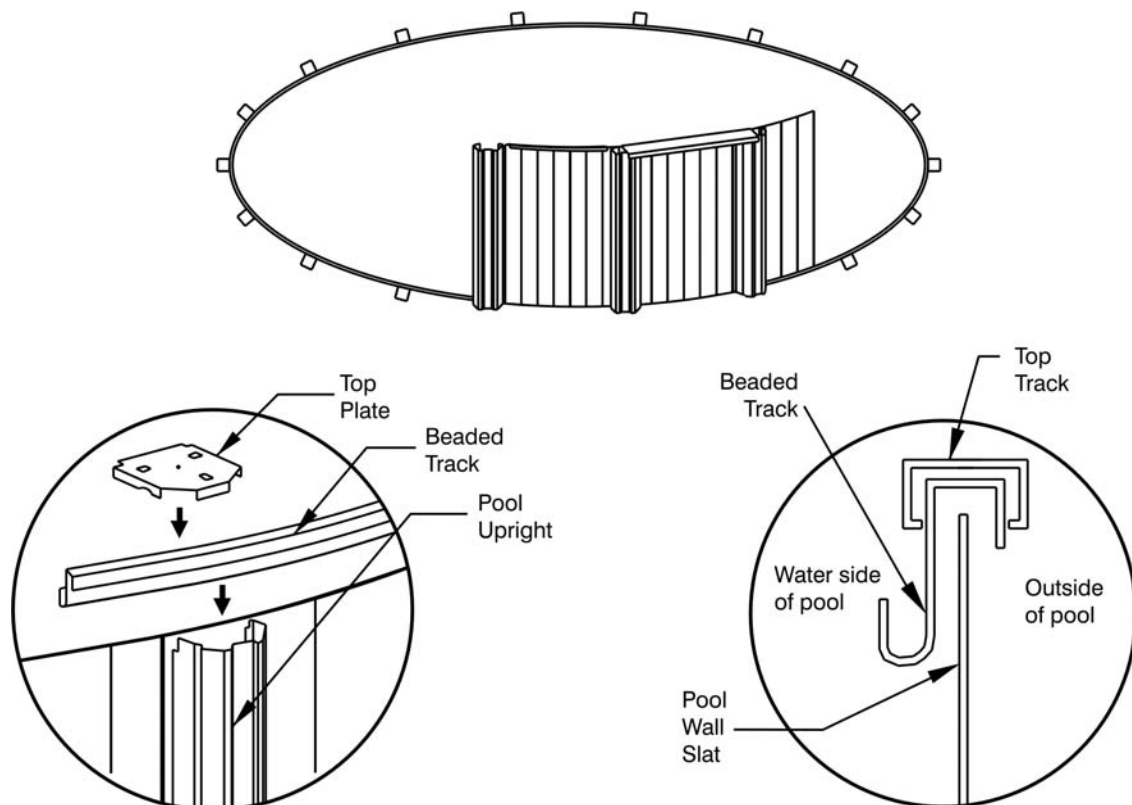
Install a pool upright as shown in the diagram. The upright attaches at the bottom to a bottom plate. On the top of the pool wall, install the plastic beaded track receiver as shown in diagrams to follow.

## Step 4.

Once you have enough pool wall slats assembled, you should install a second upright, beaded track receiver, metal top channel, and top plate. The top track does not attach to the top plate. It is just placed on top of the beaded track receiver between each set of uprights. Install a top rail as shown in the diagram. The top rail will hold everything down, and in place.

**Do not tighten the screws for the top rail more than halfway until pool is at least 1/3 full with water.**

Continue this process around the pool.



## Step 5.

Eventually you will close up the pool wall. Sometimes the last slat can be tricky to install. You may have to open up, or close up, the bottom rails in order to get the final slat into place. Remember that we supply 10 extra slats with your pool in case you had some slats that did not install properly due to damaged or twisted ends. You should always end the installation with 10 extra slats.

