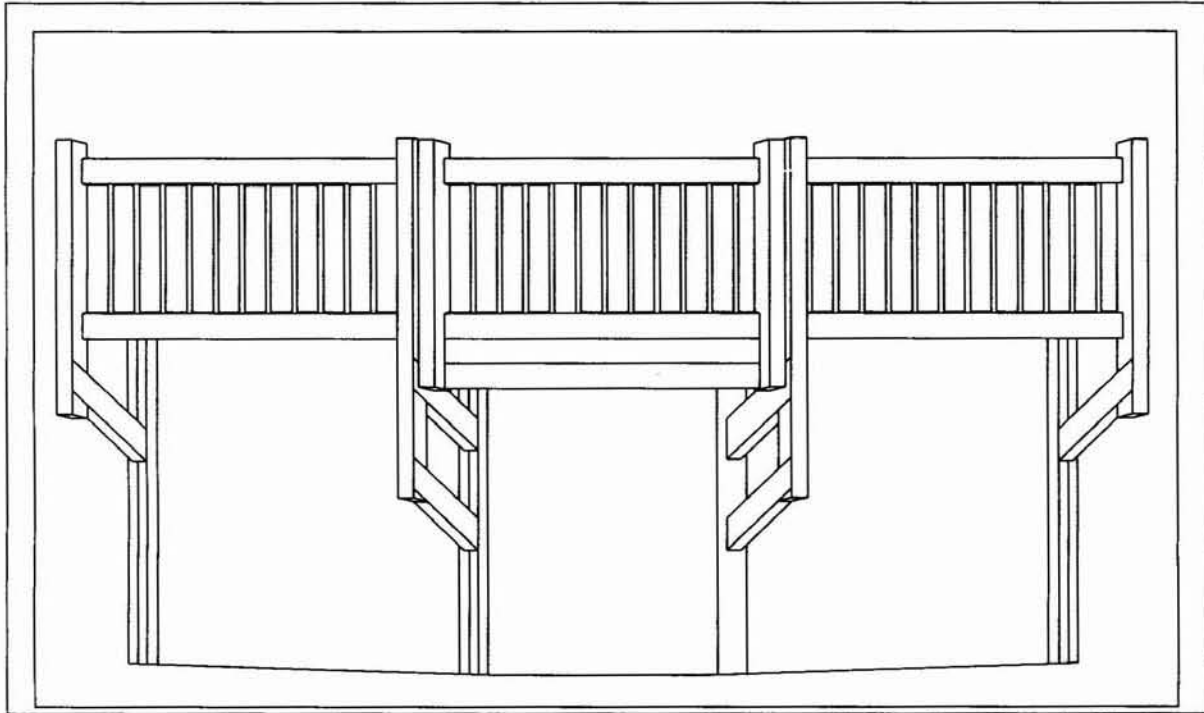


Universal Resin Fence: 24" Tall

Installation Instructions



Use this table to determine if you have the correct number of cartons by counting the # of uprights on your pool

Kit	Description
8-Piece Base Pack	<p>8-Piece Base Pack</p> <p>Every installation requires one Base pack. Base packs include two posts – one to begin installation and one to complete installation</p>
3 pc Add On Kit	Increases the Base Kit by 3 sections
2 pc Add On Kit	Increases the Base Kit by 2 sections
Gate	This does not replace a fence section

Please note: Each fence section covers one pool top rail

PN 95-0403

# of uprights	All require one 8-Piece Base Pack in addition to the following
8	none
10	1-2pc add on
11	1-3 pc add on
12	2-2pc add on
13	1-3pc add on 1-2pc add on
14	2-3pc add on
15	1-3pc add on 2-2pc add on
16	2-3pc add on 1-2pc add on
17	3-3pc add on
18	2-3pc add on 2-2pc add on
19	3-3pc add on 1-2pc add on
20	4-3pc add on
21	3-3pc add on 2-2pc add on
22	4-3pc add on 1-2pc add on
23	5-3pc add on
24	4-3pc add on 2-2pc add on

DANGER!!

Safety Information

Your pool is designed for years of pleasurable, safe family fun. But when used incorrectly, a swimming pool can be dangerous. To insure your pool is used safely, you MUST observe the following safety precautions:

- ❖ Do not dive! - Do not jump! - No rough play! - no running or pushing
- ❖ Do not walk on the top rail. It can be slippery & is not a walkway.
- ❖ Be sure to install all safety labels provided with your pool according to the instructions.
- ❖ Keep a safety rope 1/4" by 50' with a floatation buoy with an outside diameter of 1 1/2". Have accessible in prominent area by your pool.
- ❖ Post near all entrances to the pool area a list of phone numbers of the:
 - Nearest available police
 - Nearest available fire department
 - Nearest available rescue unit
 - 911 emergency number if available
 - Nearest ambulance service
 - Nearest available hospital
 - Nearest available physician
- ❖ Provide fencing or enclosure, which is independent of the house as a closure around the entire pool area. The fence must be made of durable material to make pool inaccessible to toddlers and uninvited guests.

- ❖ Make sure gate is always closed. Be sure to follow local building code requirements for load capacity and fencing
- ❖ Check with your local town for any special laws in your locale.
- ❖ Never drink alcoholic beverages or use any intoxicants, which could hinder your judgment or reflexes.
- ❖ Never use pool alone. All children must be supervised continuously.
- ❖ Do not use pool if bottom is not clearly visible: At night sufficient lighting must be available. It is the pool owner's sole responsibility to provide adequate lighting for pool bottom, safety signs and walkways, which exceed the standards of the EIS of North America.
- ❖ Do not climb, stand or sit on any pool structure or the filter system. Components such as the filtration system, pumps, and heater must be positioned so as to prevent their being used as a means of access to the pool by young children.
- ❖ Be sure that all toys, chairs and tables or similar objects that a young child could climb on are at least 4 feet away from pool.
- ❖ Do not use pool during electrical or rain storms
- ❖ See available National Spa and Pool Institute (NSPI), publications for more tips on pool safety

IMPORTANT NOTICE! READ BEFORE INSTALLATION

Enclosed is safety envelope. The safety stickers must be installed as per following instructions. Failure to properly install warning labels will void warranty. Failure to mount these safety labels may subject you to substantial liability in case of injury.

Notice to Pool Owners and Installers

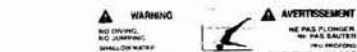
These warnings are not to be removed under any circumstances! If they fall off or become discolored please request replacements, which will be sent at no charge. Practical pool safety- these labels and your cooperation may save a life! Also, failure to mount these instructions may subject you to substantial liability in case of injury.



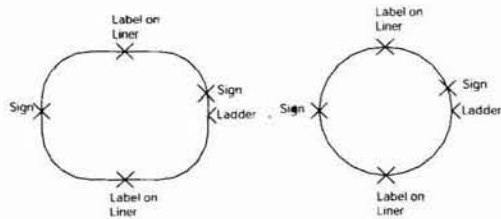
1 Sign
For placement so sign is visible from all possible entrances to pool. If more are needed write for additional signs at no charge.



1 Sign:
For placement on outside wall next to entry to pool or deck. (Make certain sign is firmly affixed to wall).



1 sign is for placement on liner. 1 Sign is supplied with the liner. Place above the water line, located at 2 equal points away from ladder.



WARNING!!!
THIS POOL IS NOT DESIGNED FOR DIVING OR JUMPING.
DANGEROUS INJURY CAN RESULT-
SHALLOW WATER.

DANGER!!!
SHALLOW WATER! NO JUMPING!
NO DIVING! CRIPPLING INJURY OR
DEATH MAY RESULT

Packing list for each carton

(see previous page for the quantity of each carton you will require for your pool)

24" Tall Universal Resin Fence:
8 Piece Base Pack: #18601

Part Number White	Description	Quantity
13621	Post, End, 41.938"	2
13622	Post, Middle, 41.938"	7
13602	Fence Channel - 61"	16
94-0094	Picket - 22.375"	104
14865	Post Holder - 7"	9
15923	Post Cap	9
19938	Hardware Pack: 8 Piece Base Pack	1

24" Tall Universal Resin Fence:
2 Piece Pack: #18603

Part Number White	Description	Quantity
13621	Post, End, 41.938"	0
13622	Post, Middle, 41.938"	2
13602	Fence Channel - 61"	4
94-0094	Picket - 22.375"	26
14865	Post Holder - 7"	2
15923	Post Cap	2
18940	Hardware Pack: 2 Piece Add-On Pack	1

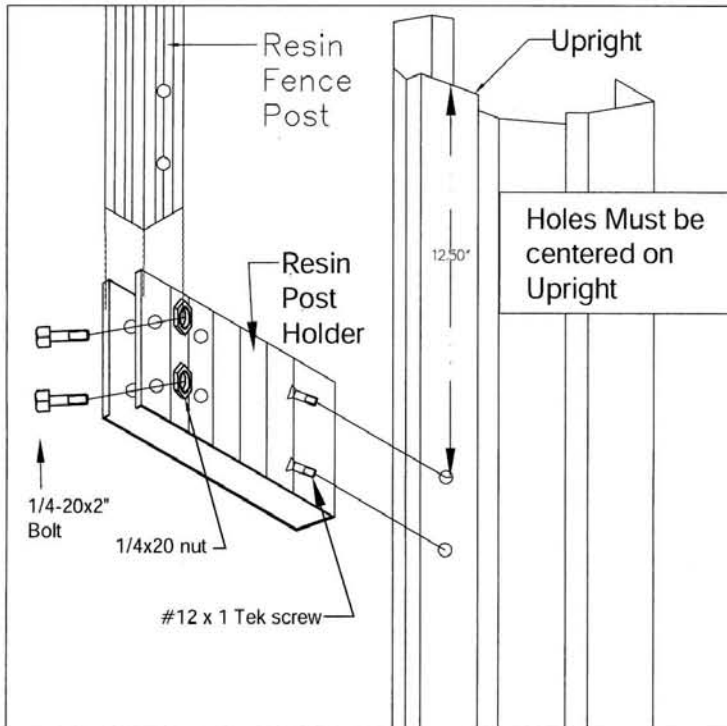
24" Tall Universal Resin Fence:
3 Piece Pack: #18602

Part Number White	Description	Quantity
13621	Post, End, 41.938"	0
13622	Post, Middle, 41.938"	3
13602	Fence Channel- 61"	6
94-0094	Picket - 22.375"	39
14865	Post Holder - 7"	3
15923	Post Cap	3
18939	Hardware Pack: 3 Piece Add-On Pack	1

24" Tall Universal Resin Fence:
Gate: #15074

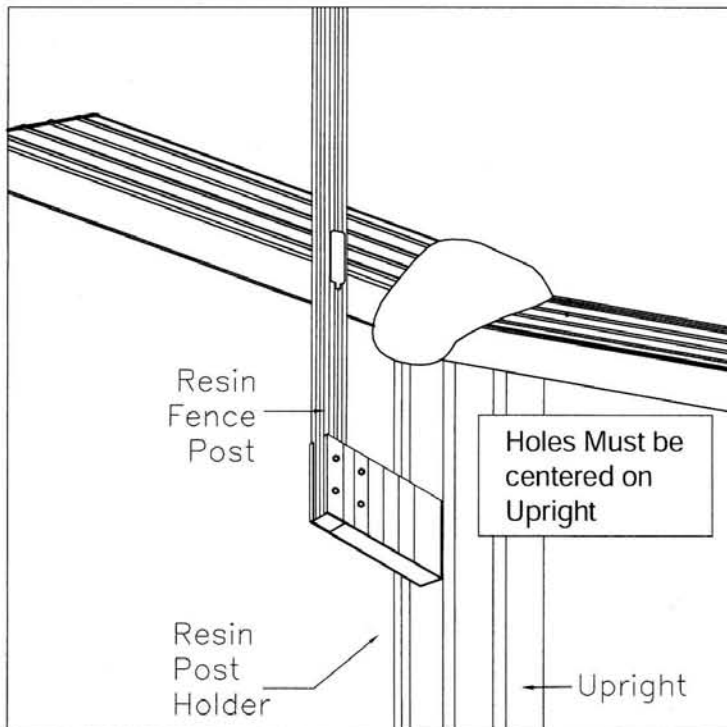
Part Number White	Description	Quantity
22005	Gate Post	2
22006	Gate End Post Left	1
22007	Gate End Post Right	1
22008	Gate Channel: With picket holes	2
22009	Gate Channel: No picket Holes	1
94-0094	Picket	8
14865	Post Holder - 7"	4
15923	Post Cap	4
13657	Hardware Pack: Self Closing Gate	1
21439	Latch and Finger	1
99-0066	Spring Loaded Hinges	2

Step 1: Install Post Holder to Upright



- Step 1- Install Post Holders to Pool Upright
- a-Mark top hole on the pool upright $12\frac{1}{2}$ " on center From the top of the Upright, or lower if the top cap support requires.
 - b-Use the post holder to locate the second hole.
 - c-Fasten post holder to upright using two #12 self tapping TEK screws.

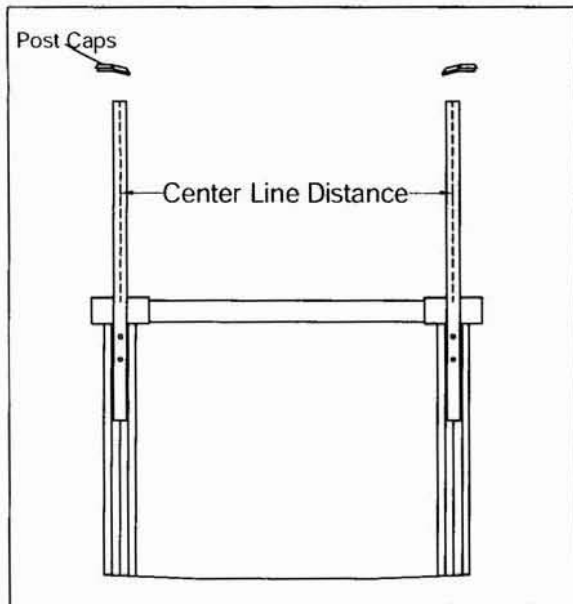
Step 2: Mount Post to Post Holder



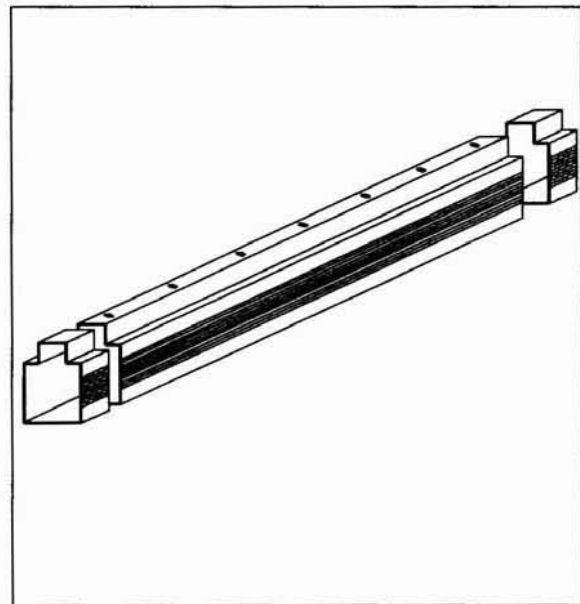
- Step 2-Mount Post to Post Holder
- a-Use two $\frac{1}{4}$ "-20 x 2" bolts and two $\frac{1}{4}$ " nuts to mount post to the fence post holder

***Important:** At this time, you should determine where you would like to locate your self-closing gate option. When you have determined this area leave the space between those two upright empty until step 6.

Step 3 Measuring length of fence channels



Step 3a Cutting fence channels to fit



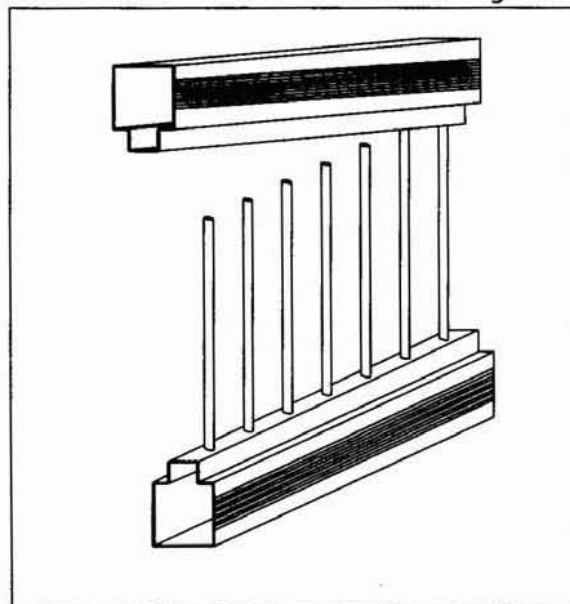
Step 3-Cutting Fence Channels to fit between Posts

- a- Carefully measure the distance between the two posts from center line to center line (3a)
- b- Cut two fence channels to the length you measure. Cut both channels starting at the same end.
- c- Install the fence post caps on the posts. In addition you may want to use a liquid adhesive to better hold the caps in place.

Otherwise you may have problems getting the pickets to line up properly in the next step

*Important: It is better to leave a little extra on the fence channel length than to cut the channel too short. You can always trim the excess, but you cannot add material!

Step 4 Fence Section Assembly

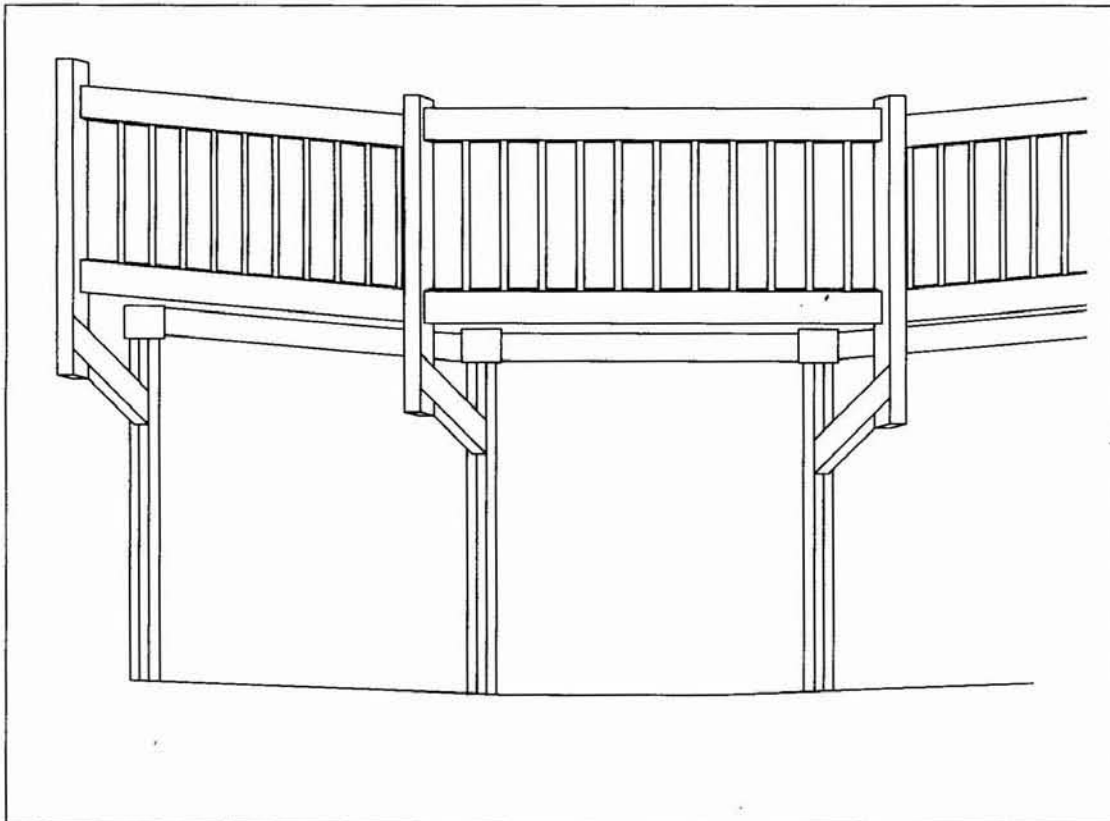
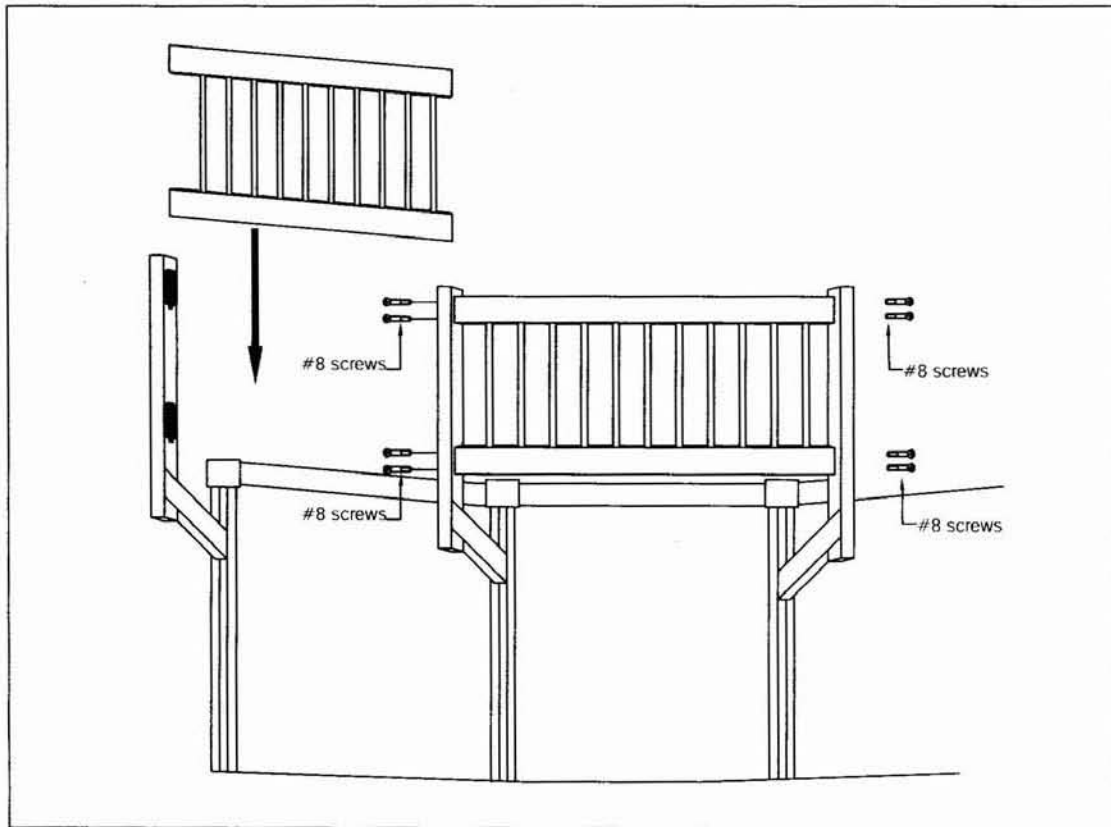


Step 4-Fence Section Assembly

- a- Start to assemble the fence section by placing pickets into the lower fence channel.
- b- Take the upper fence channel and, starting from one end, push the channel over each picket one at a time until all pickets are in place.

*Important: You must fill every hole with a picket

Step 5 Final Fence Assembly



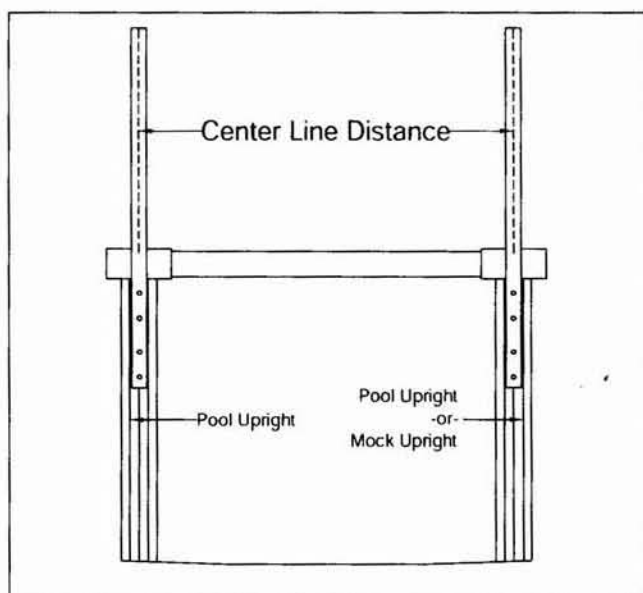
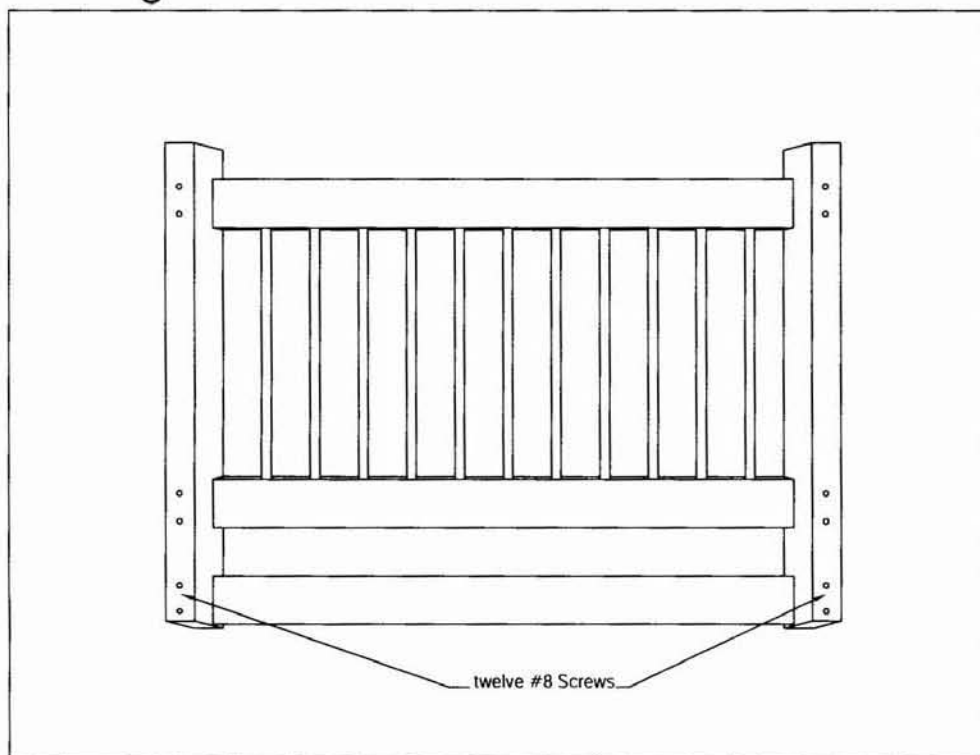
Step 5- Final Fence Assembly

Place channels of the fence assembly into the pre-cut holes on the fence post.

- a- use #8 screws as shown to secure fence section in place
- b- repeat this process around the entire pool

*If you are installing one of our gates, please proceed to the next step.

Step 6 Assembling the Gate

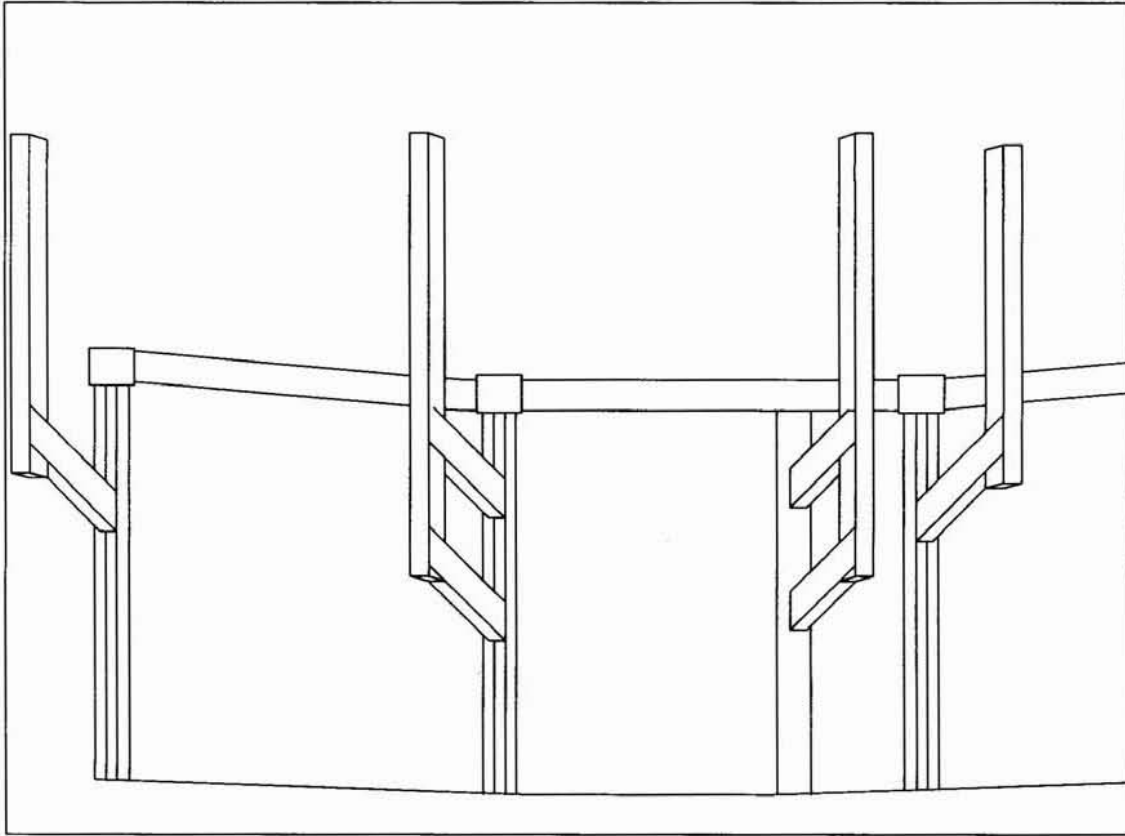


Step 6 -Assembling the Gate

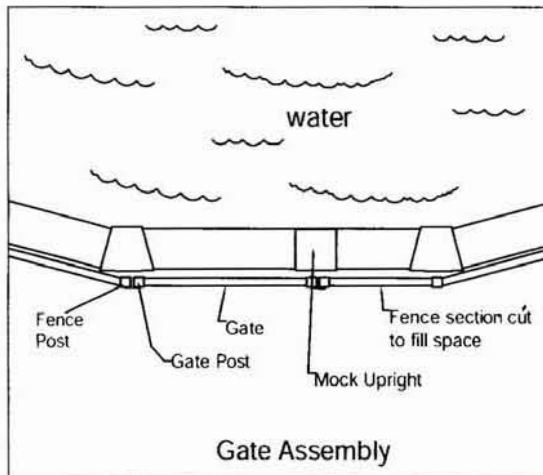
Measure the distance of your entry system and add 4". Cut gate rails to this measurement. Note: Be certain to cut off equal amounts from each end to have even spacing of pickets. Referring to diagram above, install gate Channels and pickets, but do NOT fasten hardware yet.

Step 7

Determining Placement and Installing Mock Upright



Step 7a



Step 7 Determining placement and installing Mock Upright

At the selected site where the gate is to be installed you need to install a Mock Upright. A mock upright is an additional support used to anchor one end of the gate using a 3" x 3" wooden post. To determine the placement of the Mock Upright, position gate as if it were attached to one upright. Directly below the opposite end of the gate, dig a hole 6" deep.

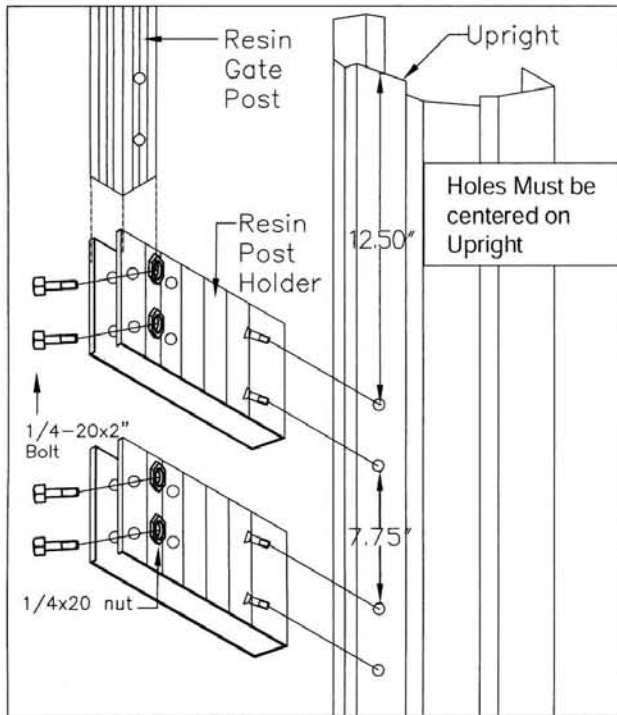
Measure from the bottom of hole to the top of the pool and cut the 3" x 3" post to fit the distance. Placing the 3" x 3" post in the ground, place it snugly against the pool wall. Fasten the post to the pool frame by using a 2" sheet metal screw through the top rail into the post itself.

Keeping the post level fill the remaining dirt around post.

At this time you should verify the width of the gate to be sure it will fit between the gate posts. The gate must be perfectly square to operate properly. Install gate post and gate post holder as per directions in step 6 & step 7.

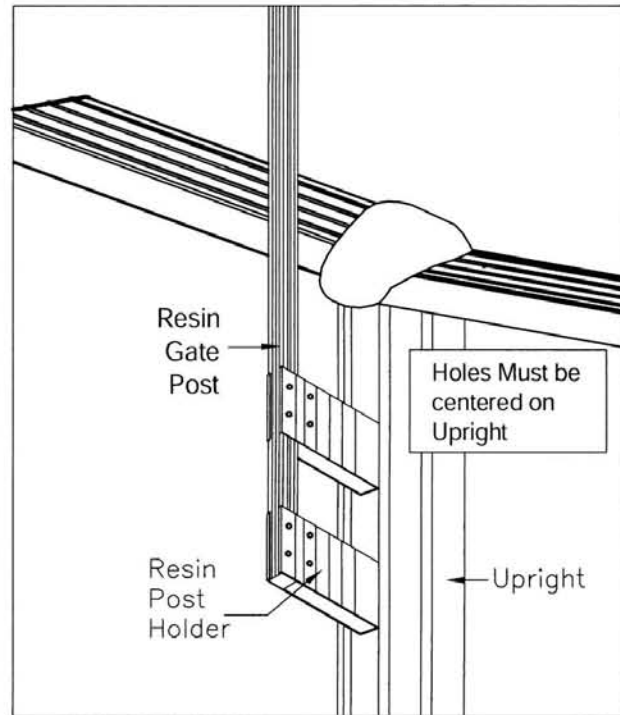
Step 8

Installing Gate Post Holder to Upright

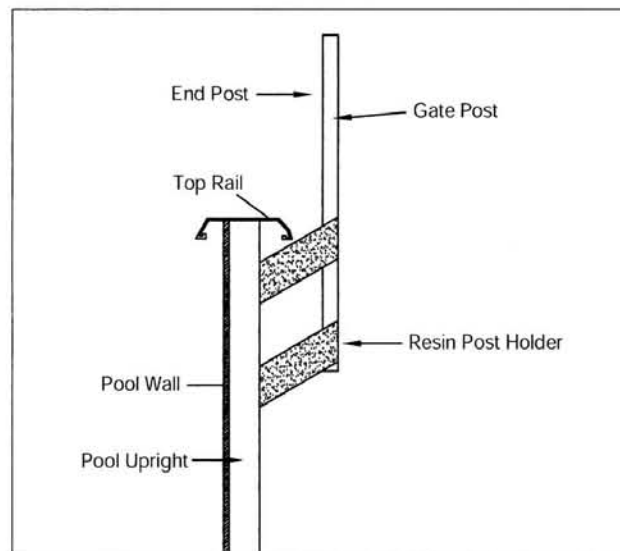


Step 9

Mount Gate Post to Gate Post Holder



Step 9a



Step 8-Mount Gate Post Holders to Upright

a-Mark top hole on the pool upright $12\frac{1}{2}$ " on center From the top of the Upright or lower if the top cap support requires it

b-Use the post holder to locate the second hole and use a $\frac{5}{32}$ " drill bit to drill the holes.

c-Mark top hole for second Gate Post Holder 5" on center From the bottom of the second hole of the top post holder (see diagram 8)

d-Fasten gate post holders to upright using $\frac{1}{4}$ "-20 x $\frac{3}{4}$ " bolts and nuts.

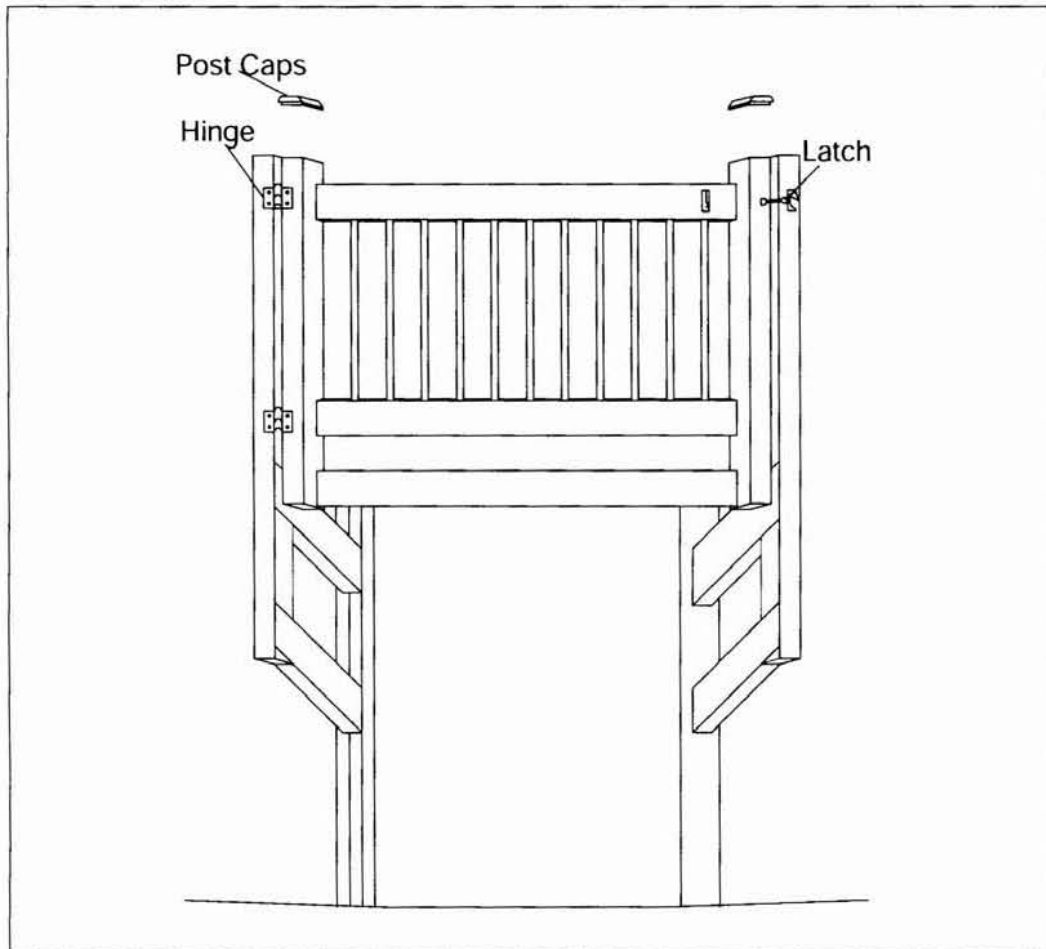
Step9-Mount Gate Post to Gate Post Holder

a-Use two $\frac{1}{4}$ "-20 x 2" bolts and two $\frac{1}{4}$ " nuts to mount the fence post holder

b-Repeat for mock upright. Installation of the gate post is the same for the mock upright

*Note must use two gate post holders on both side of Resin Gate for proper support

Step 10 Installing latch, hinge, & fence Post Caps



Step 10 Installing latch, hinge, & fence post caps

Gate swing is determined by the placement of the hinges.

a-attach hinges to gate post

b-attach gate assembly to gate post. Gate must be flush on top and swing freely

c-install gravity latch system

Note: The gate should always open away from the pool.

Finally install fence post caps. In addition you may want to use a liquid adhesive to better hold the caps in place.