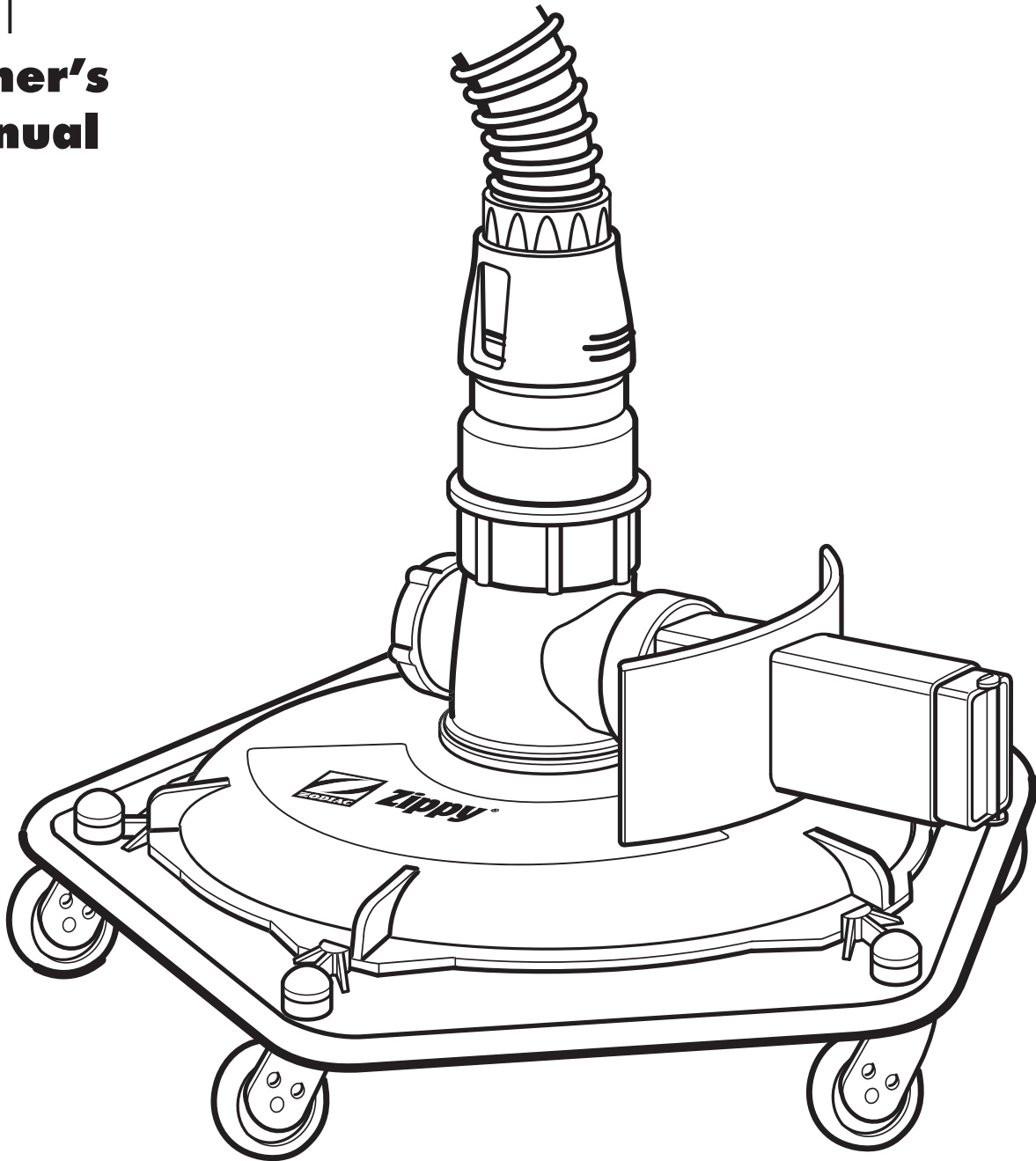




ZODIAC

Zippy®

**Owner's
Manual**



Automatic Aboveground Pool Cleaner

THANK YOU FOR PURCHASING THE ZIPPY® ABOVEGROUND AUTOMATIC POOL CLEANER.

**THE ZIPPY IS DESIGNED TO QUICKLY CLEAN YOUR ABOVEGROUND POOL,
PROVIDING YEARS OF LOW MAINTENANCE OPERATION.**

PRIOR TO INSTALLING YOUR NEW ZIPPY PLEASE DO THE FOLLOWING:

- 1) Complete and return the warranty card.
- 2) Record your purchase information on the spaces provided below.
- 3) Attach your invoice (or a copy) to this page.

These actions will insure prompt warranty service, should it be required. Simply present your owner's manual, along with the invoice at any of our authorized warranty centers nationwide.

RECORD YOUR ZIPPY POOL CLEANER DATA HERE:

Date of Purchase _____
Purchased From _____
City _____ State _____ Zip _____
Serial Number: (located on the side of the cleaner) _____

ZIPPY LIMITED WARRANTY

This ZIPPY was carefully inspected before shipment from our warehouse. Upon unpacking, if any part is missing or found to be defective, please notify Zodiac Pool Care, Inc. immediately. Please consult owner's manual for complete instructions on the installation and operation.

THE MANUFACTURER WARRANTS THE ZIPPY POOL CLEANER AGAINST ALL NORMAL WEAR AND TEAR AND TO BE FREE FROM DEFECTS IN MATERIALS AND WORKMANSHIP FOR A PERIOD OF TWO (2) YEARS. THE ZIPPY HOSE IS ALSO WARRANTED AGAINST DEFECTS AND WEAR AND TEAR FOR TWO (2) YEARS. ALL WARRANTIES ARE EFFECTIVE FROM THE DATE OF PURCHASE.

Should this product prove defective in workmanship, materials or wear during the applicable period, the consumer's sole and exclusive remedy shall be such repair or replacement of the product as provided below.

THIS LIMITED WARRANTY EXCLUDES THE FOLLOWING:

1. Discoloration of the ZIPPY pool cleaner. This is caused by reaction to ultraviolet rays and/or the chemicals used in the pool water. Discoloration does not affect the operating ability of the ZIPPY. Therefore, this Limited Warranty does not cover the replacement of discolored parts.
2. Damage to or malfunction of the unit resulting from excess chlorination or improper water chemistry balance.
3. Replacement of parts which fail or become defective as a result of improper installation, negligence, misuse, abuse or tampering by unauthorized personnel.
4. Age, pool water imbalance, and improper installation can cause pool liners to become brittle or unduly wrinkled. Corrosion of the supporting walls and/or irregularities in the pool base may also cause liner failure. The use of this product in such an environment is at the pool owner's risk. Therefore, the pool owner hereby releases the manufacturer from any and all claims for damage where these conditions exist.
5. The ZIPPY pool cleaner is designed specifically for use in aboveground pools only. (Not including aboveground pools with hoppers or slopes.) If unit is used in any other application, the pool owner hereby releases manufacturer from any and all claims. This misuse will void all warranty on the unit.

THE LIMITED WARRANTY PROVIDED HEREIN IS THE SOLE AND EXCLUSIVE WRITTEN WARRANTY WITH RESPECT TO THE ZIPPY POOL CLEANER. ALL IMPLIED WARRANTIES IMPOSED BY APPLICABLE LAW, INCLUDING ANY IMPLIED WARRANTY OF MERCHANTABILITY OR FITNESS FOR A PARTICULAR PURPOSE, WITH RESPECT TO EACH COMPONENT OF THE ZIPPY ARE LIMITED TO THE DURATION OF THE EXPRESS LIMITED WARRANTY WITH RESPECT TO SUCH COMPONENT. SOME STATES DO NOT ALLOW LIMITATIONS ON HOW LONG AN IMPLIED WARRANTY LASTS, SO THE ABOVE LIMITATION MAY NOT APPLY TO YOU.

In no event shall Zodiac Pool Care, Inc. be liable in contract or in tort, or under any other legal theory, for lost profits or revenues, loss of use or similar economic loss, or for indirect, special, incidental, consequential or similar damages, even if it has been advised of the possibility of such claim. Some states do not allow the exclusion or limitation of incidental or consequential damages, so the above limitation or exclusion may not apply to you.

No claim under this Limited Warranty will be recognized unless the registration card, included in your box, is completed and returned within fifteen (15) days of the purchase date. Only the original purchaser may submit a claim under this Limited Warranty. relating to any defect, malfunction or wear of the ZIPPY.

To obtain warranty replacements or repair, call (888) 786-7797 for authorization. When submitting a claim, always supply serial number, evidence of purchase date, retailer and a brief description of the problems/defects encountered. The Manufacturer reserves the right to repair or replace all defective or worn parts covered by this Limited Warranty and return same to purchaser, freight collect.

The manufacturer assumes no responsibility for any warranties or representations made by other individuals or businesses beyond the express terms contained in this Limited Warranty.

This warranty gives you specific legal rights, and you may also have other rights which vary from state to state

**Zippy is a trademark of Zodiac Pool Care, Inc. For sale and use in the United States and Mexico only.
This pool cleaner is not warranted or guaranteed outside of the United States or Mexico.
This pool cleaner is covered by one or more of the following U.S. patents.
U.S. patent no. 5720068 and 5930856**

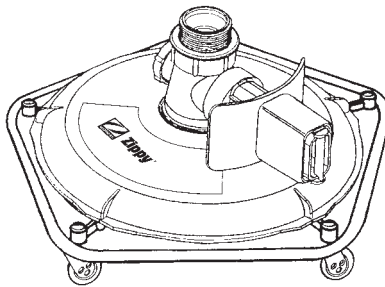
TABLE OF CONTENTS

Prepare Pool and Filtration System	4
Wall Adapter Installation	4
Hose Assembly	5
Adjusting the Flow.	7
Cleaning the ZIPPY® Filter	8
Care and Maintenance	9
Troubleshooting	10
Parts Diagram	11

Check that the following parts are included:



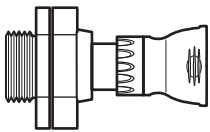
(5) Hose Floats



(1) Zippy head



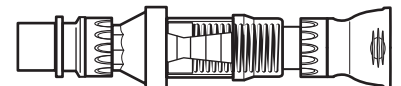
(1) Head Connector



(1) Wall Adapter



(1) 2' Hose Section



(1) Star Control® Assembly



(5) 5' Hose Sections

Stop: If any of the above listed parts are missing, please contact our Customer Service Department at (800) 871-0712.

Important:

Vinyl liners are subject to deterioration or damage due to age, the effect of chemicals, corrosion or failure of the supporting walls; as well as improper installation, maintenance or cleaning of the supporting walls or base.

Before installing the ZIPPY, examine the interior of your pool carefully. If your vinyl liner is brittle or has wrinkles, stones, roots or metal corrosion in contact with the underside of the liner, or has damage to the base material or supporting walls, do not install the ZIPPY before having a qualified professional perform the necessary repairs.

PREPARE THE POOL AND FILTRATION SYSTEM

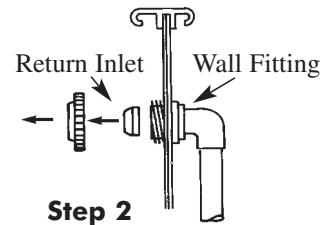
- Step 1:** The pool's bottom should not have a deep hopper or slope.
- Step 2:** Manually vacuum your pool.
- Step 3:** Backwash or clean the filter according to the manufacturer's instructions.
- Step 4:** Clean the skimmer basket and the pump strainer basket.
- Step 5:** Visually inspect the return side plumbing from the filter to the pool wall for leaks.
Repair any leaks in your plumbing system prior to installing the ZIPPY®.

WALL ADAPTER INSTALLATION

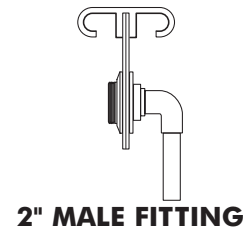
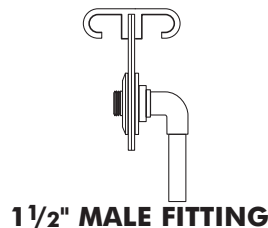
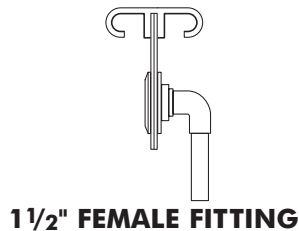
ZIPPY is designed to work with the return flow from your pool's filtration system. Aboveground pools may utilize different types of return inlet fittings. To accommodate this, your ZIPPY comes with an adapter assembly which connects to a variety of different pool return inlet fittings.

Step 1: Turn the pump off.

Step 2: Remove the return inlet fitting from the wall fitting located on the wall of your pool. Do not loosen or remove the wall fitting.

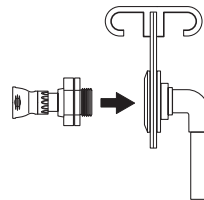


Step 3: Determine which wall fitting you have from the illustrations shown below.



Step 4: For a 1 1/2" Female Fitting, thread the Wall Adapter into the wall fitting as shown in Figure 1.

FIGURE 1



For a 1 1/2" Male Fitting, remove the male to male adapter from the Wall Adapter as shown in Figure 2A and thread the remainder of the Wall Adapter onto the wall fitting as shown in Figure 2B.

FIGURE 2A

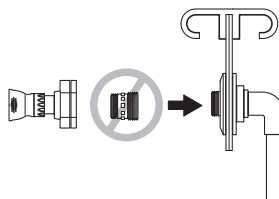
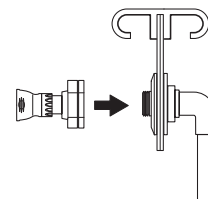


FIGURE 2B



For a 2" Male Fitting, remove both the male to male adapter and the threaded insert from the Wall Adapter as shown in Figure 3A and thread the remainder of the Wall Adapter onto the wall fitting as shown in Figure 3B.

FIGURE 3A

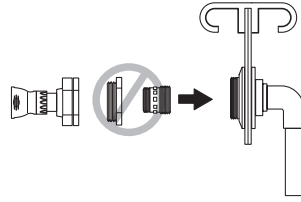
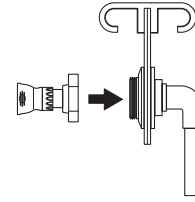


FIGURE 3B

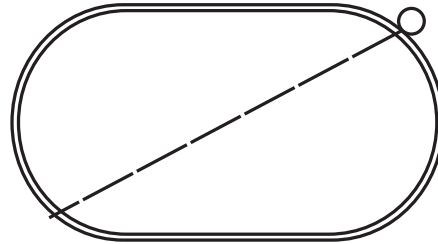


NOTE: If your pool has more than one return inlet, you must plug the inlet(s) not being used by Zippy to insure sufficient flow rate. See your pool professional to purchase the appropriate parts.

HOSE ASSEMBLY

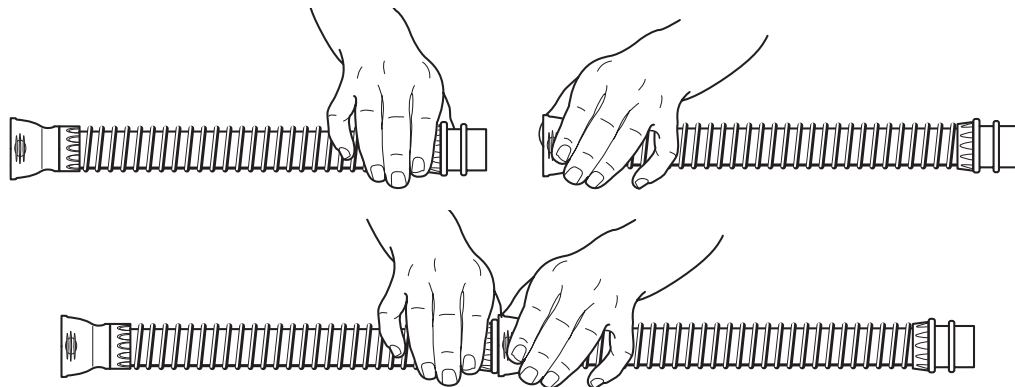
Step 1: Lay hoses in a straight line in the sun for 1 hour to remove hose memory.

Step 2: Measure the hose length from your return inlet to the farthest point in the pool. This is the total length of Zippy® hose needed.

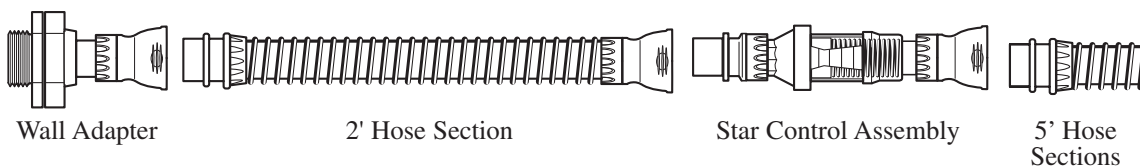


NOTE: If you need more hose, see your Zodiac dealer for additional sections.

Step 3: To assemble the hoses, connect the male end of the hose section into the female end. You will hear a loud snap when they are connected properly. Each section should swivel easily.



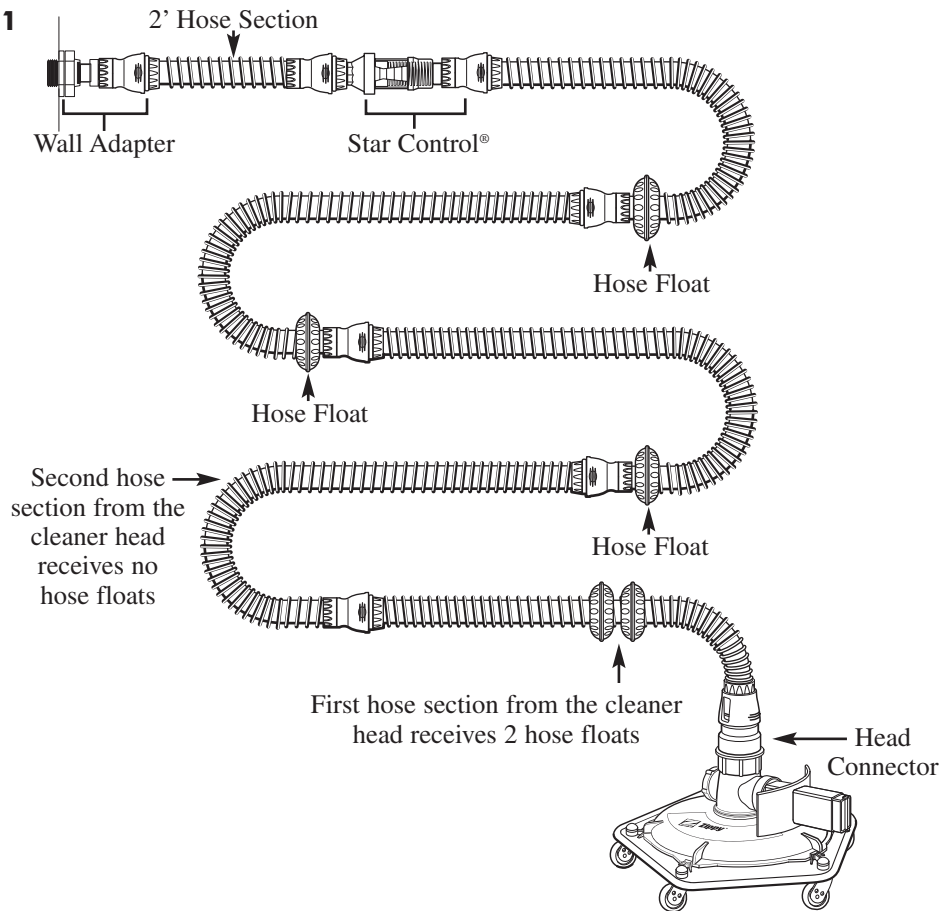
Step 4: Connect the 2 ft. hose section to the Wall Adapter and the Star Control® Assembly to the opposite end of the 2 ft. hose section.



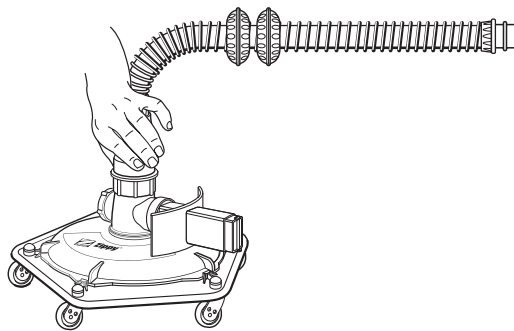
Step 5: In proper order, connect the number of 5 ft. hose sections needed for your pool to the Star Control Assembly. Hose and hose floats must be assembled as shown below for Zippy to perform properly.

PROPER HOSE ASSEMBLY ORDER

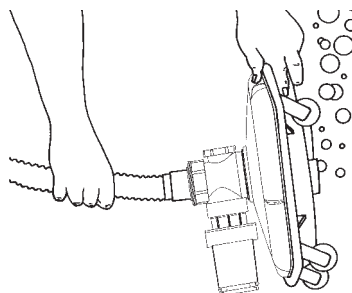
FIGURE 1



Step 6: Thread the head connector that is attached to the first hose section onto the cleaner head.



Step 7: Submerge the ZIPPY® head in the pool, tilt it on its side and wiggle it back and forth until the air is evacuated and bubbles cease. Then, lower the ZIPPY to the bottom of the pool.



ADJUSTING THE FLOW

Your ZIPPY® utilizes the patented Star Control® Assembly which allows you to regulate the cleaner's flow to the optimal level with a simple twist.

Step 1: Turn on the pump.

Step 2: To set the flow, grasp the small end of the Star Control that is attached to the 2 ft. hose in one hand (Figure 1). With your other hand, grasp the white adjusting nut of the Star Control.

Slowly turn the adjusting nut clockwise to increase flow to the cleaner or counter-clockwise to decrease flow. Adjust the nut until the black indicator line on the inside of the Star Control aligns with the yellow color band in the indicator gauge (Figure 2).

FIGURE 1

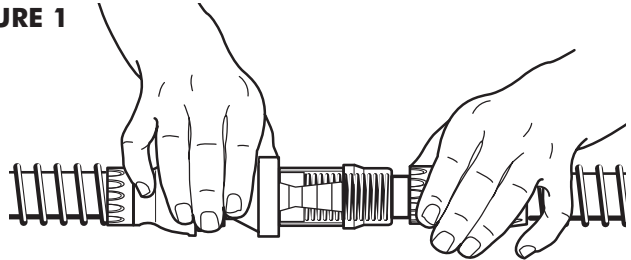
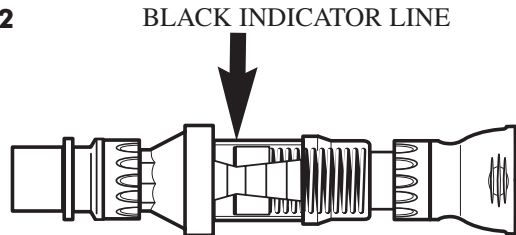


FIGURE 2



ZIPPY should move about the pool, intermittently slowing down or stopping as it contacts wrinkles or walls. As it slows or stops, the jet nozzle should swing freely, propelling the ZIPPY towards a different direction.

Star Control Assembly:

Depending upon the size and conditions in your aboveground pool and the size of your pump, it may be necessary to increase or decrease the flow. Please refer to the following user's guide for optimal operation of the Star Control.

Indicator Color	Condition
Blue	The flow is not sufficient to run Zippy properly. Increase the flow by turning the Star Control Assembly clockwise until the black indicator line aligns with the yellow area on the indicator gauge.
Black	The flow is low for the majority of pools. If the cleaner does not cover the entire pool, increase the flow to the yellow indicator range.
Yellow	Optimal setting for the large majority of aboveground pools.
Orange	The flow is higher than normal. However, this setting may be required for certain very large pools.
Red	The flow is excessive. Reduce the flow by turning the Star Control Assembly counter-clockwise until the black indicator line aligns with the yellow area on the indicator gauge.

CLEANING THE ZIPPY® FILTER

Step 1: Turn off the pump

Step 2: Lift the head straight out of the pool.

Step 3: Disconnect the Zippy head from the hose.

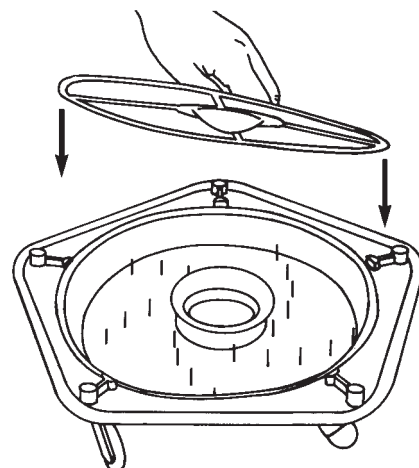
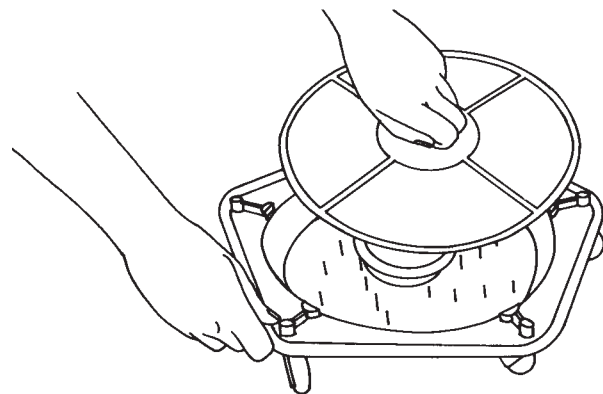
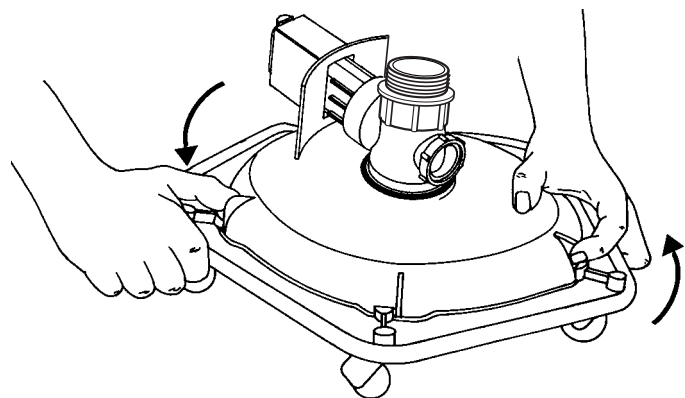
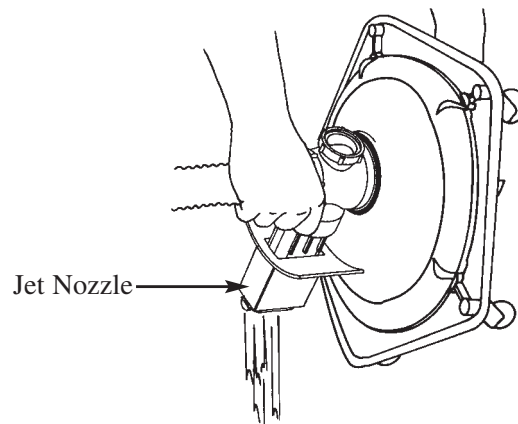
Step 4: Drain the ZIPPY by turning it with the jet nozzle towards the pool surface.

Step 5: Set the ZIPPY on a level surface such as the top rail of the pool or your pool deck. While holding the lower body of the machine, twist the upper body using the tabs provided. Lift the upper body off and place it on the top rail or the deck.

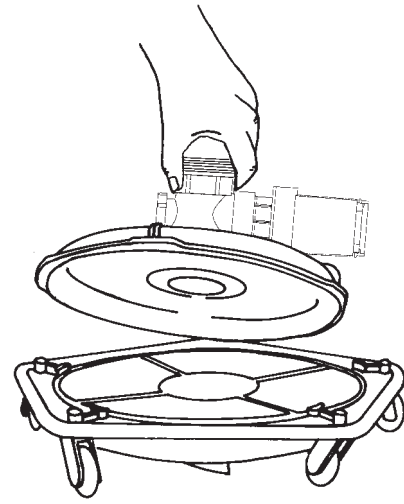
Step 6: With the two halves separated, lift the filter screen out and rinse it. Empty the contents of the bottom half of the cleaner and rinse it to remove any remaining debris.

Step 7: To reassemble, place the cleaned filter screen in the bottom half of the cleaner. **Make sure the center cone of the screen is pointed down.**

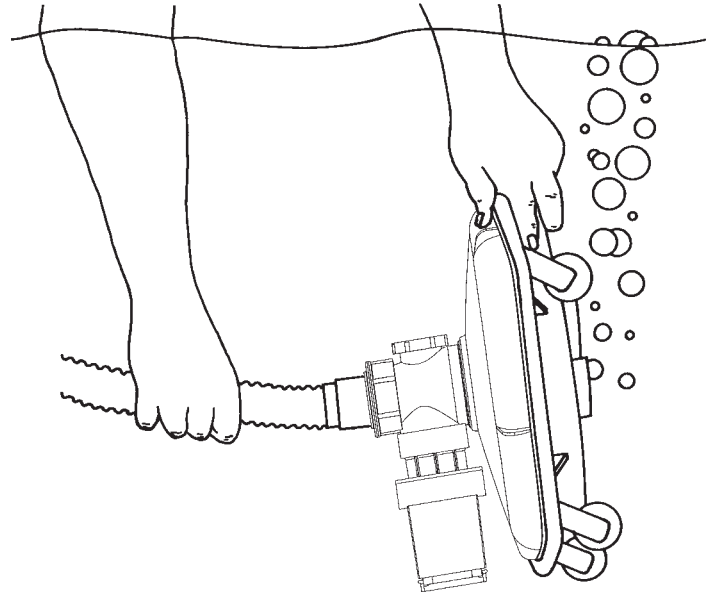
Note: Placing Zippy on the ground while it is still connected to the wall fitting may cause unintentional draining of your pool.



Step 8: Position the top half over the bottom and twist until it locks in place. Connect the hoses to the Zippy head.



Step 9: Submerge and tilt the head to the side to remove bubbles and lower it to the pool bottom. **Turn the pump on.**



CARE AND MAINTENANCE

Your ZIPPY® was designed to require very little maintenance. When adding chemicals, especially when super chlorinating or shocking the pool, remove the unit and hose by unthreading the Wall Adapter Assembly from the wall. Reinstall it in the pool a minimum of 4 hours later.

VERY IMPORTANT!

Backwashing Your Filter System

It is important to disconnect the ZIPPY when backwashing your pool filter system. Turn the Wall Adapter counter-clockwise to remove it from the pool wall fitting. Reinstall after the backwashing process is complete.

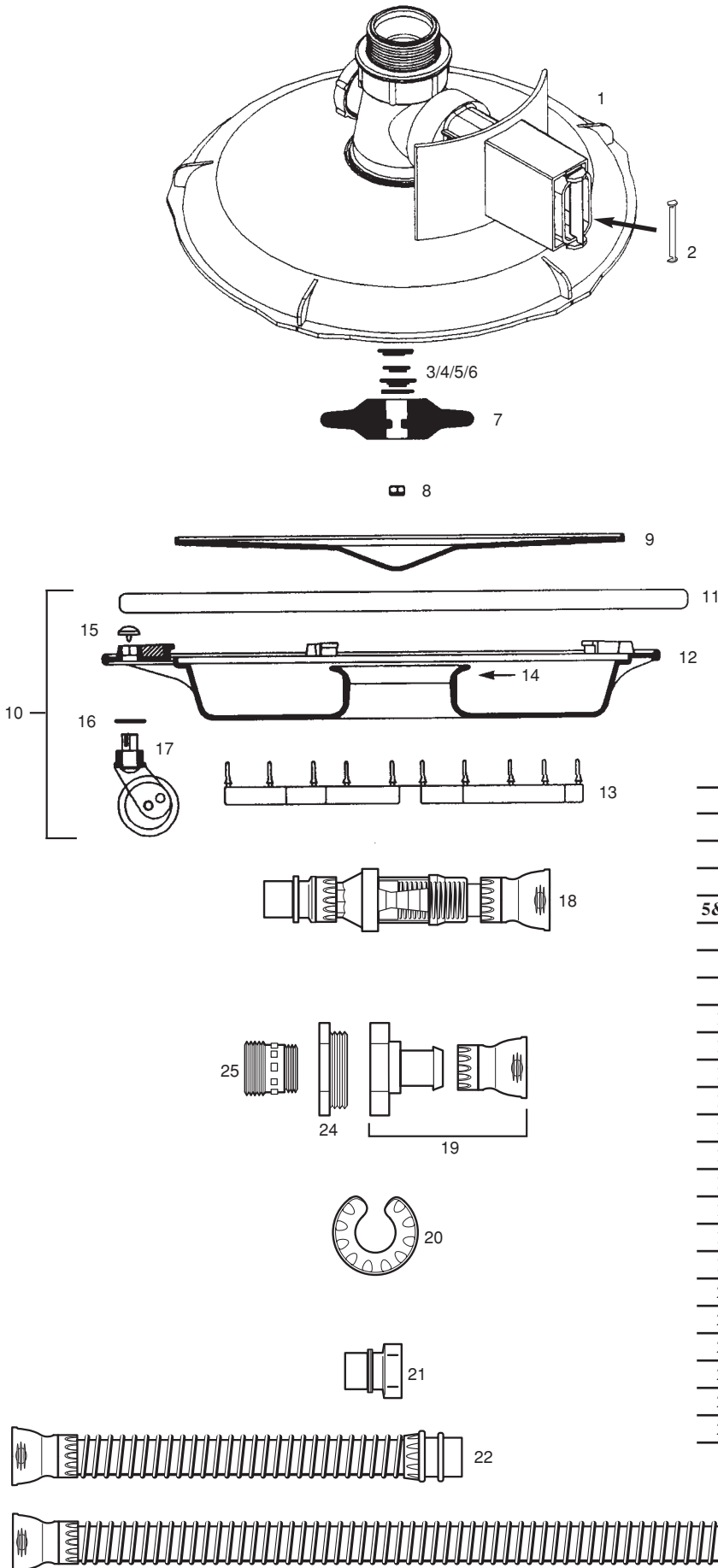
NOTE: The filter must be operating for a minimum of 3 minutes to ensure that any suspended material is flushed out before reinstalling ZIPPY.

TROUBLESHOOTING GUIDE

Should you experience a problem with your ZIPPY, please follow the troubleshooting guide as shown below prior to calling for service. If after reviewing the troubleshooting guide assistance is required, call 1-888-786-7797. Please have your serial number, along with the date of installation for the Technical Service Representative.

CONDITION	STEPS
Cleaner Does Not Operate	<ul style="list-style-type: none">• Is the pump on?• Check the Star Control® setting to ensure it is in the yellow range.• Remove dirt and debris from the cleaner.• Clean the pool's filtration system according to the manufacturer's directions.• Assure that the ZIPPY has been installed properly.
Hose Coils	<p>Some hose coiling is normal. If the coils are preventing proper operation:</p> <ul style="list-style-type: none">• Assure that the proper length of hose is in use.• Clean filter screen thoroughly.• Check and adjust the flow range.• Lay the hose straight in direct sunlight for a few hours.
Wall Adapter Won't Fit	<ul style="list-style-type: none">• Call Technical Services Department (1-888-786-7797) for additional wall adapter inserts.
Cleaner Turns Over	<ul style="list-style-type: none">• Check the Star Control® setting.• Check for air trapped in the cleaner head by tilting the head on its side while it is submerged.• Assure the hose and floats are assembled in the proper order.• Assure that the proper length of hose is in use.
Poor Pool Coverage	<ul style="list-style-type: none">• Check the Star Control setting.• Assure that the proper length of hose is in use.• Check for hose memory.• Clean the tray and filter screen.• Assure that the nozzle assembly swivels freely.• Assure hose floats are in proper location.
Poor Debris Pick-Up	<ul style="list-style-type: none">• Clean the tray and filter screen.• Check the Star Control setting.
Cleaner Gets Stuck on the Pool Ladder.	<ul style="list-style-type: none">• Install a ZIPPY® ladder guard, available from your ZODIAC dealer.
ZIPPY Star Control Sprays Water Above the Waterline	<ul style="list-style-type: none">• Check pool for proper water level.• Call Technical Service (1-888-786-7797).

ZIPPY® PARTS DIAGRAM



	INDIVIDUAL PART #	DESCRIPTION	QTY
1	W33595	Zippy Body Top Assembly Complete	1
2	W75215	Zippy Rudder	1
3	W90560	Zippy Lock Washer	1
4	W90507	Zippy Nut	1
5&6	W90504	Zippy Spacer Washer – 2 Required	1
7	W90603	Zippy Weight Coated	1
8	W82255	Zippy Lock Nut	1
9	W82421	Zippy Screen	1
10	W33413	Zippy Body Bottom Complete	1
11	W67250	Zippy Body Trim – Teal	1
12	W59013	Zippy Body Bottom	1
13	W83460	Zippy Wiper – Teal – 5 Required	1
14	W67313	Zippy Throat – Grey	1
15	W67513	Zippy Wheel Cap – Grey – 5 Required	1
16	W83033	Zippy Washer Teflon – 5 Required	1
17	W75813	Zippy Wheel Assembly – 5 Required	1
18	W83135	Star Control Assembly	1
19	W83134	Zippy 2" Wall Adapter With Cuff	1
20	W69625	Zippy Hose Float – 5 Required	1
21	W83137	Zippy Head Connector	1
22	W69805	Zippy 2ft Hose Section	1
23	W69806	Zippy 5ft Hose Section – 5 Required	1
24	W66905	Zippy Threaded Insert	1
25	W67105	Zippy Male To Male Threaded Adapter	1

LET US HELP WITH YOUR ZIPPY®

If you are having a coverage problem you cannot solve, mail or fax us the following information along with a **sketch of your pool shape, including dished out or hopper areas if they exist, and indicating the location of skimmers, inlets, ladders, and the filter system.** Also include a brief description of the problem. (Send a photocopy and retain this page for future use.)

MAIL TO: ZODIAC POOL CARE, INC.

2028 NW 25th Avenue, Pompano Beach, FL 33069 **OR FAX TO:** (954) 935-8279

CUSTOMER NAME: _____ TELEPHONE NO: (_____) _____

ADDRESS: _____

CITY: _____ STATE: _____ ZIP: _____

SERIAL NO.: _____ PURCHASED FROM: _____

POOL SIZE: _____ PUMP SIZE (H.P.): _____

FILTER (circle one): SAND D.E. CARTRIDGE FILTER SIZE (or Model No.) _____



Indicate problem: _____

ZODIAC POOL CARE, INC.
2028 NW 25th Avenue
Pompano Beach, FL 33069
1-888-786-7797
www.zodiacpoolcare.com