

Welcome

Congratulations on the purchase of your new Kreepy Kadet, the inground pool cleaner from Pentair Pool Products. You'll soon see that Kreepy Kadet *really is* the easy way to keep your inground pool clean. First, however, you'll have to install Kreepy Kadet and perhaps make some minor adjustments. This manual covers the steps needed to install and adjust Kreepy Kadet.

Contents

Warranty Terms & Conditions	2
I. Pool Preparation	4
II. Assembly	4-6
III. Installation	7-8
IV. Adjustments	9-10
V. Troubleshooting	11-14
VI. Maintenance	15
VII. Customer Service	15
VIII. Parts & Accessories	16

Before you begin to install Kreepy Kadet in your pool, please record its serial number in the space below. This way, if you need to refer to the serial number in the future, it will be readily available. The diagram on page 4, Figure 1 shows where the serial number is located.

Kreepy Kadet Serial Number: _____

Activate Kreepy Kadet's Warranty

You will also need to record the serial number on the warranty registration card found inside this manual. Complete and return the card to activate Kreepy Kadet's 1-year limited warranty. The complete warranty is printed on the inside front cover of this installation and operation manual. Please review it thoroughly so you are familiar with the terms of your warranty coverage.

Customer Helpline

If you have questions about your Kreepy Kadet, check the instructions in this manual first. **If you still have a question, call your Pentair Pool Products, Inc. dealer or call our Customer Helpline at 1-800-443-5711.** Please have your Kreepy Kadet serial number ready when you call.

Warranty Note

Cleaners purchased in the United States of America from entities outside the United States do not qualify for any United States programs including warranty, trade-in, or rebate programs.

I. Preparation of Your Pool

Before assembling and installing your cleaner, your pool should be clean and algae-free so as not to inhibit the cleaner's traction. If necessary, make the following preparations before proceeding:

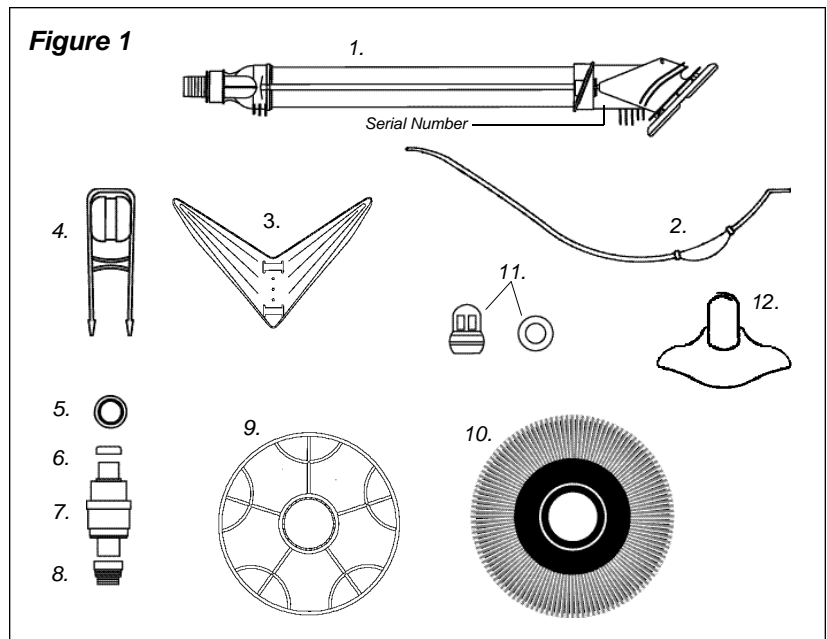
1. Chemically balance the pool water.
2. Brush pool and let the debris settle.
3. Hand vacuum thoroughly.
4. Clean filter and pump strainer basket.

II. Assembly and Installation

Remove the cleaner and all of its parts from the box and check to make sure that all components were included. Refer to Figure 1.

Components Check List

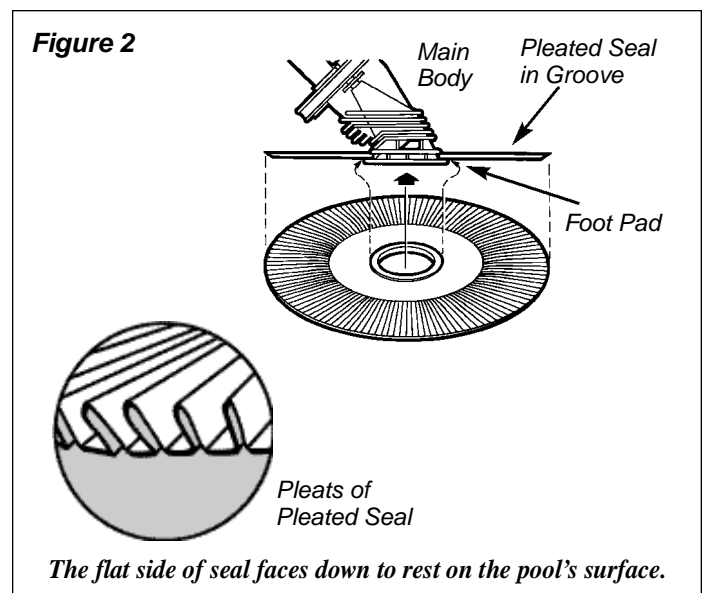
1. Kreepy Kadet
2. Weighted Bumper Strap
3. Step Deflector
4. Float
5. Hose Weight
6. Valve Cap
7. Automatic Regulator Valve
8. Threaded Compression Adapter
9. Guide Wheel
10. Pleated Seal
11. Eyeball Diverter with Outer Ring
12. Skirt
13. Hose – 32 ft. total length
(not shown)



Step 1. Attach The Seal

To install the seal locate the words “**This Side Up**” and face them towards the main body, slip the seal over the foot pad – (flat side down towards pool floor) – and pull gently until it seats itself on the other side in its groove as illustrated in Figure 2. **Seal must be installed flat side down, pleated side up.** Once in place, the seal should rotate and turn freely.

The seal is not reversible. The raised pleats on the Pleated seal must face upward. The flat side of the seal should face down to rest against the pool surface.



Step 2. Attach The Skirt

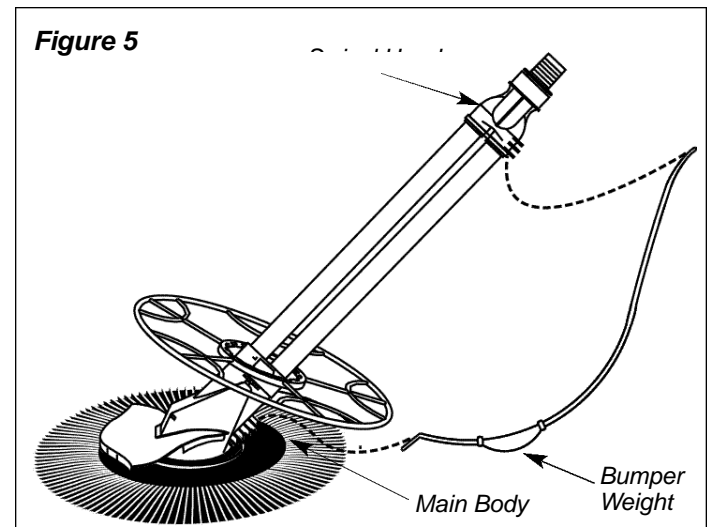
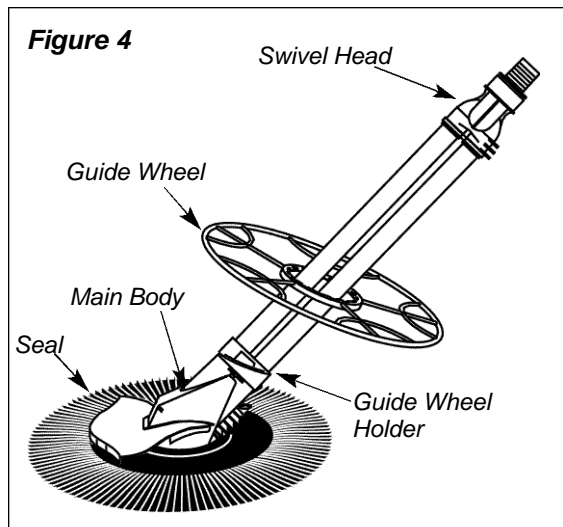
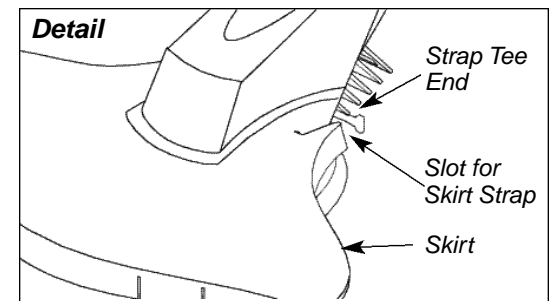
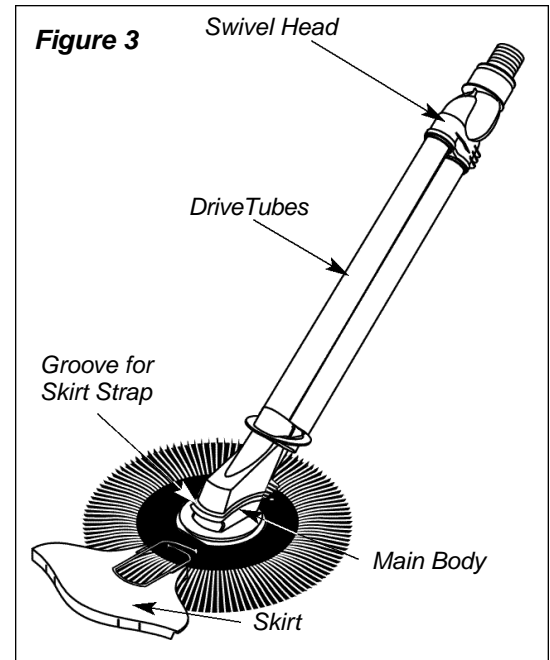
Kreepy Kadet's skirt is held in place with straps. Position the cleaner so it is standing up with the tubes at 45 degrees with the swivel head pointing away from you. See Figure 3. Position the skirt so the straps wrap into the grooves on the sides of the main body and away from you. Pull the left tee shaped end of the strap so it slides into the last slot on the back of the main body. Repeat these steps for the right strap. **IMPORTANT: The left strap must be fitted first for the proper fit of the skirt.**

Step 3. Attach The Guide Wheel

Slide the guide wheel over the top of the swivel head and down over the guide wheel holder located at the top of the main body. Snap the guide wheel over the ridge on the guide wheel holder. See Figure 4. Ensure that the flat side of the guide wheel center hub is facing up. Once in place, the ring should spin freely.

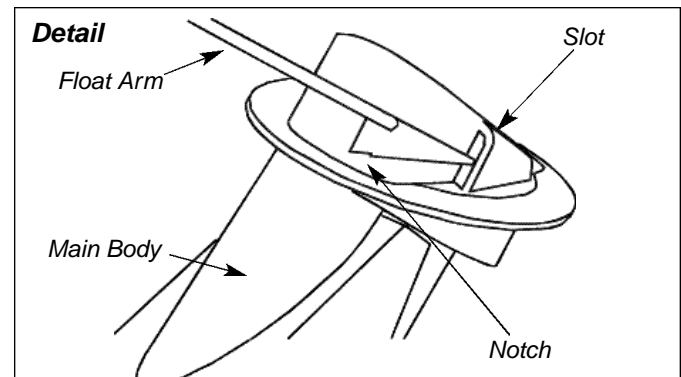
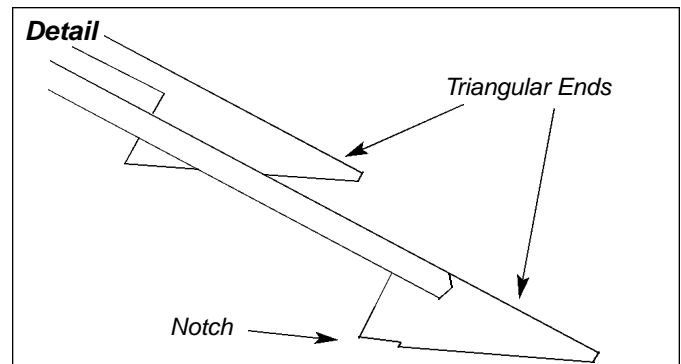
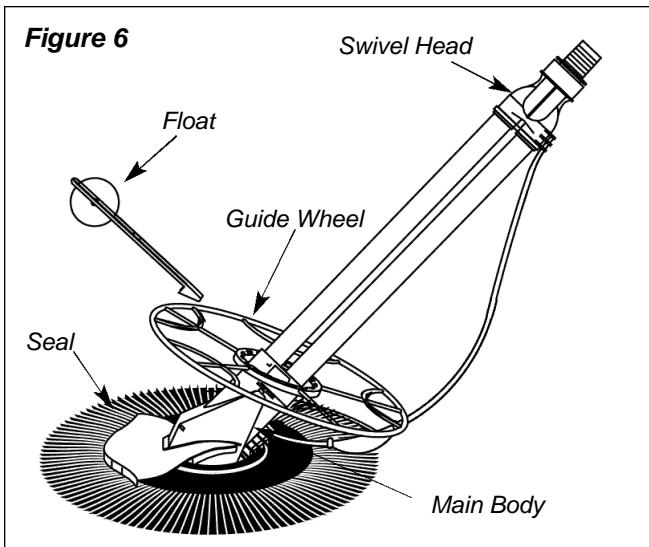
Step 4. Attach The Bumper Strap

Insert the bottom end of the bumper strap (end closest to the bumper weight) into the slot provided on the main body. Insert the top end of the bumper into the slot provided in the swivel head. See Figure 5.



Step 5. Attach The Dive Float

Kreepy Kadet's float snaps into slots on the top of the main housing. The triangular ends on the arms of the float slide into the slots. The tip of the triangular end must slide **through** the opening at the end of the slot. Keep pushing the triangular ends of the float arms into the slots until the notch on the bottom of the triangular ends clip into place. See Figure 6. Important: **Do not push on the float as you try to snap the triangular ends into their slots or the float arm may snap. Hold the float arm just above the triangular ends when snapping them in place.**



Step 6. Assemble The Hose And Attach The Hose Weight

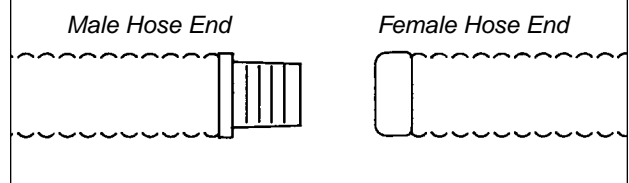
The Kreepy Kadet hose comes in sections which must be assembled. You'll need enough sections to reach from where Kreepy Kadet is connected, to the farthest part of your pool, plus one section. You will also have to attach hose weights to the hose to **neutralize the hose's buoyancy in water.** The number of hose weights required is determined by the maximum depth of your pool. The deeper your pool, the more weight is needed. The number of hose weights appropriate for your pool is explained in Table A.

Twist and push the female ends onto the male ends after dipping the ends into the pool to wet them. See Figure 7. Continue until you've connected all the sections you need. After connecting the hose weights to the hose as described in "Table A," then connect the hose to Kreepy Kadet. See Figure 8.

TABLE A

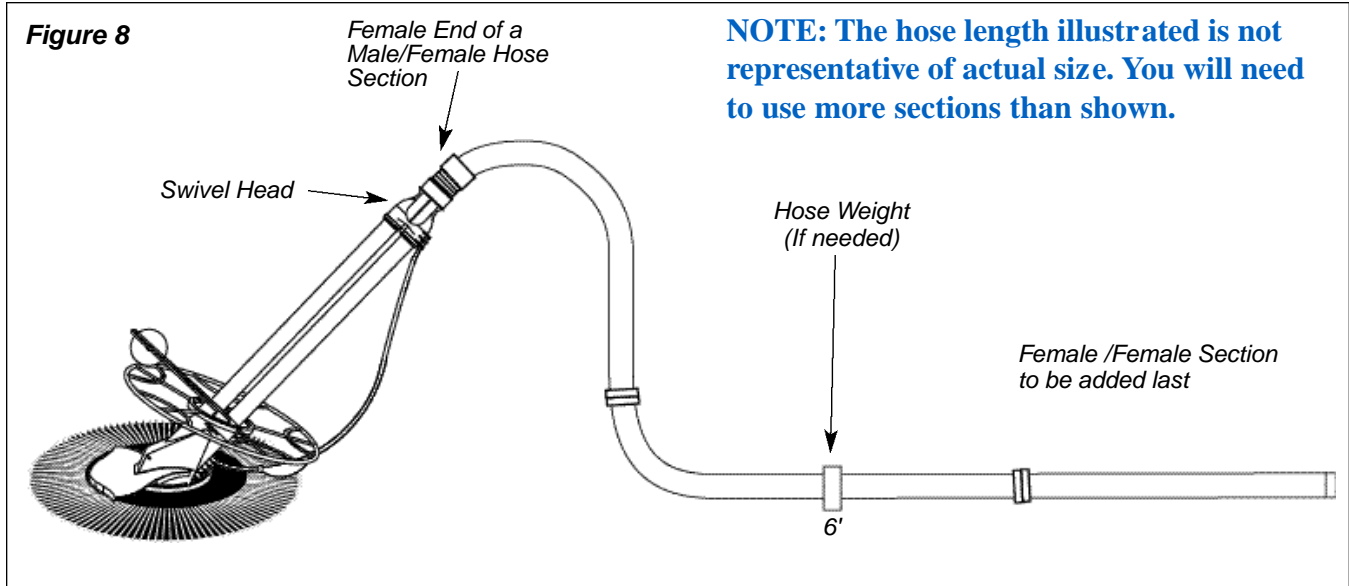
Pool Depth	Weight Placement
Less than 7 feet	No Weights Used
More than 7 feet, but less than 12 feet	1 weight: 6 feet from the cleaner's swivel head

Figure 7



One of the hose sections has 2 female ends and a hose protector. This section should be fitted last and attached to the pool's vacuum connection in the skimmer.

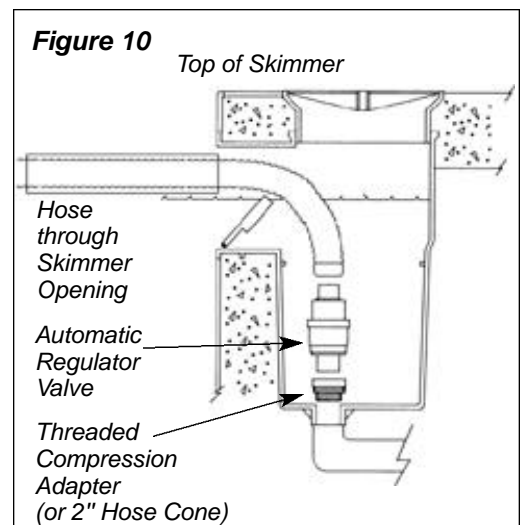
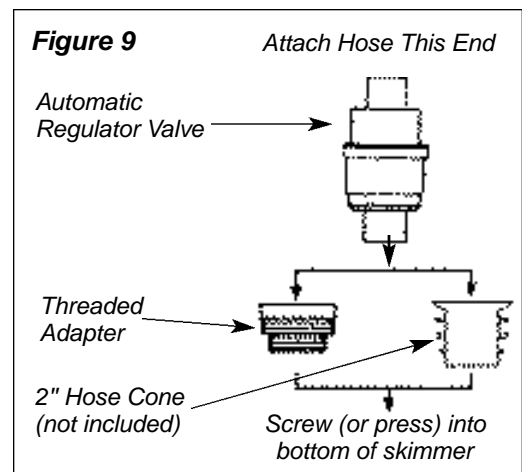
Your fully assembled cleaner should look like this:



III. Installation

The automatic regulator valve automatically adjusts to changes in the amount of water flow to provide the cleaner with the power necessary to ensure proper cleaning performance.

1. Turn the pool pump off.
2. Close the main drain and all suction lines, except the line from the skimmer to which your cleaner will be connected.
3. Remove the skimmer basket.
4. Screw the threaded compression adapter into the vacuum connection in the bottom of the skimmer. See Figure 9. **NOTE: Use two wraps of Teflon tape around the threads of the adapter to ensure easy removal.** (If the vacuum connection in the bottom of the skimmer is **not** threaded, use a 2 inch hose cone adapter. See Figure 9. The hose cone is not included with your cleaner, but can be purchased from your Pentair Pool Products Dealer.)
5. Press the automatic regulator valve into the threaded compression adapter. See Figure 10. The end of the valve that is marked "attach hose this end" must point up.
6. Place the cleaner into the pool and allow it to sink to the floor. Continue to feed the hose down into the pool until it is completely filled with water and purged of air.
7. Insert the hose through the skimmer opening, and push it onto the automatic regulator valve. See Figure 10.



Optional Vacuum Line Installation

Vacuum Line Installation With Automatic Regulator Valve in Skimmer.

We recommend the use of the automatic regulator valve to balance water flow between Kreepy Kadet and the skimmer. When attaching Kreepy Kadet to a dedicated vacuum line, the automatic regulator valve should be installed in the skimmer.

Accessories NOT PROVIDED:

Snap-Lock Wall Fitting
(Part #K3500)

45° Hose Connector
(Part #K12078)

1. Turn the pool pump off.
2. Close the main drain and all suction lines, except the skimmer and the vacuum line to which the Kreepy Kadet will be connected.

3. Thread the snap-lock wall fitting into the end of the dedicated suction line. Then insert the male end of the 45° hose connector into the snap-lock fitting. See Figure 11.

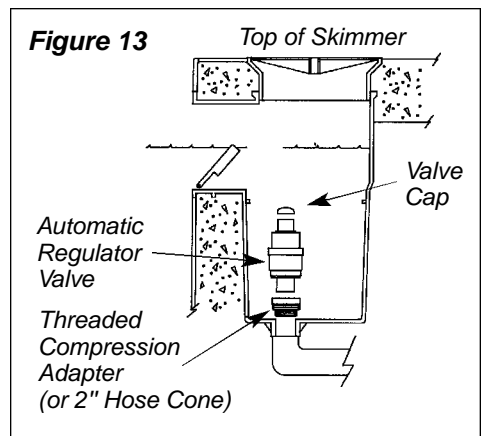
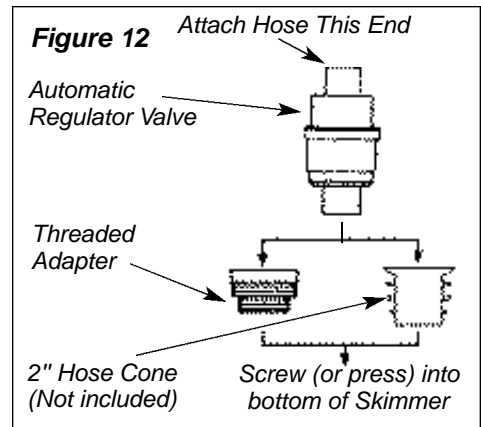
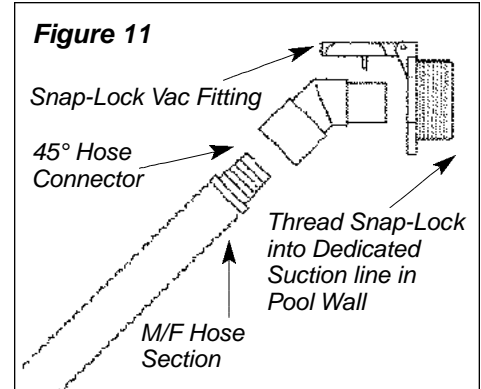
NOTE: Use two wraps of Teflon tape around the threads to ensure easy removal.

NOTE: You will have to remove the female/female hose section in this installation.

4. Insert the male hose end of the last hose section into the 45° hose connector or directly into the snap-lock wall fitting. **Reminder: Do not use the female/female hose section in this installation.** See Figure 11.

5. Screw the threaded compression adapter into the vacuum connection in the bottom of the skimmer. **NOTE: Use two wraps of Teflon tape around the threads to ensure easy removal.** If the opening in the bottom of the skimmer is **not** threaded, use a 2" hose cone, the 2" hose cone is not provided but can be purchased from your Pentair Pool Products dealer.

6. To prevent water from flowing through the top of the automatic regulator valve, fasten the valve cap onto the top of the regulator valve. This activates the regulator valve and assures that an accurate amount of water (15 gpm) will flow through the vacuum line and the Kreepy Kadet. Without the valve cap, the automatic regulator valve and the cleaner will not function properly. See Figure 13.
7. Press the automatic regulator valve into the threaded compression adapter. See Figure 13.



IV. Adjustments

After completing the installation, **turn the pool pump on**. Your Kreepy Kadet should be moving about the pool at approximately 8-12 feet per minute. Allow the pump to run for a couple of minutes to allow air to cycle out of the system. Check each of the following initial adjustments to your Kreepy Kadet at this time.

Hose Length

IMPORTANT: The pump must be on when you check the hose length. The hose contracts when the pump is operating and will look longer when the pump is off.

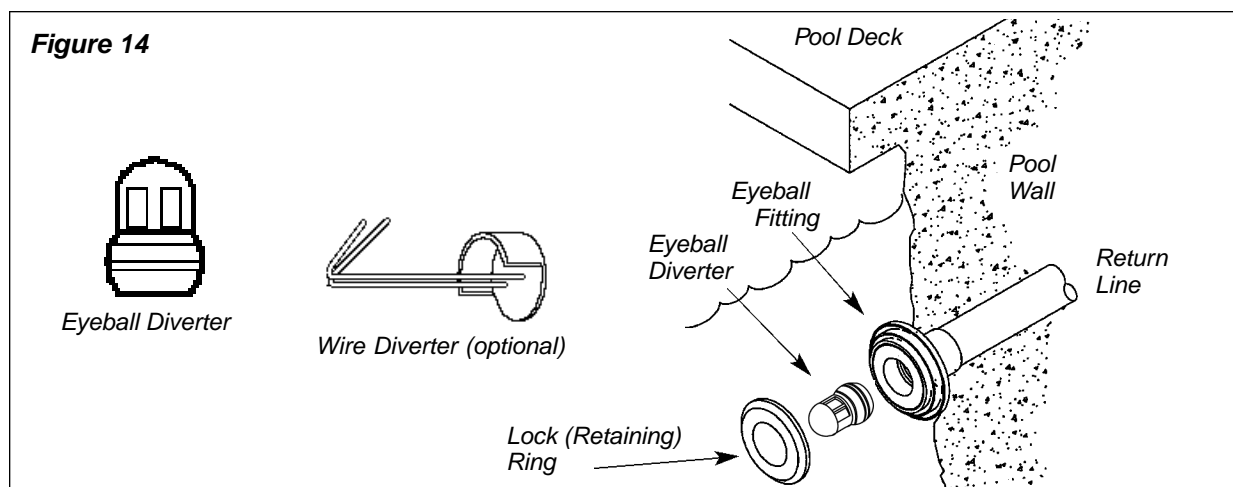
With the cleaner operating, position it at the furthest point of the pool from where it's attached. (It is easy to position it in the pool by moving it about with your pool pole and brush.) The hose should be long enough to reach to the end of the pool, plus one hose section. If necessary, remove extra hose sections from the center portion of hose. Removing center hose sections avoids having to disturb the hose weight placement. Save extra hose sections for use as needed for replacement.

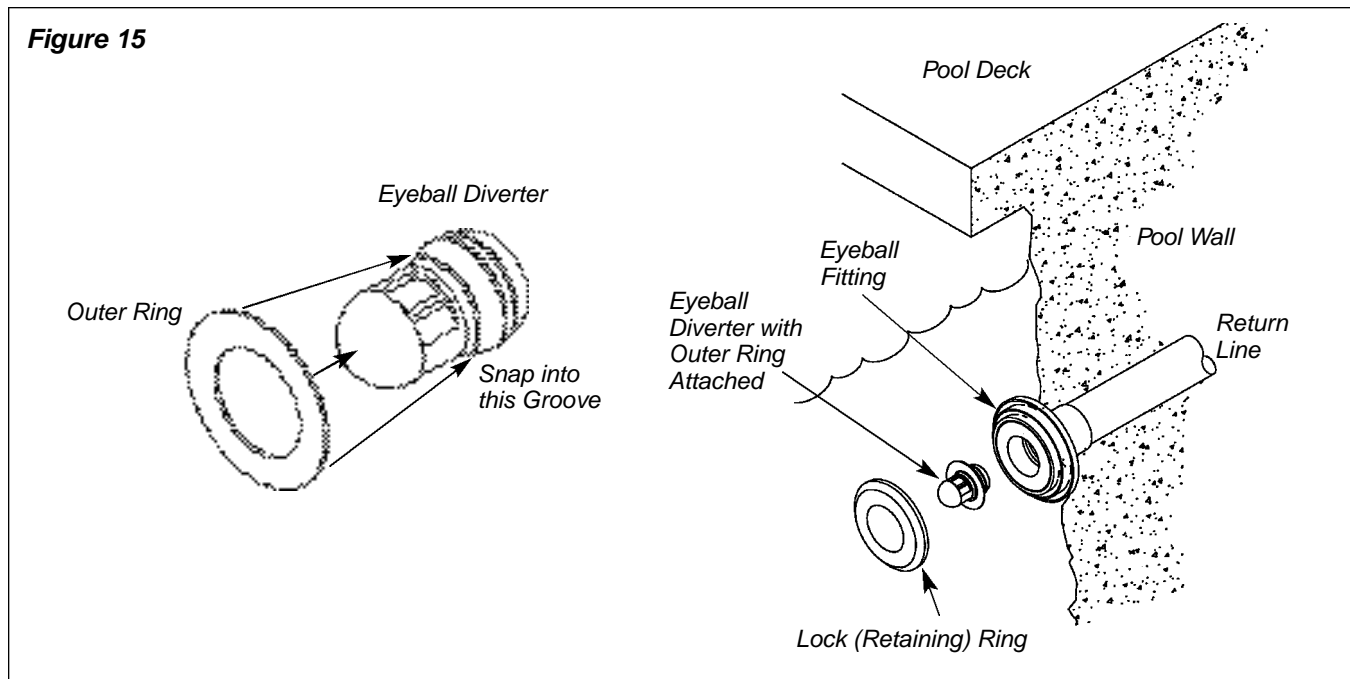
Return Line Water Flow

IMPORTANT: The water flow from your return line can push the cleaner's hose and affect its performance. It may cause the cleaner to steer away from the end of the pool where the return line is located, or it may cause it to remain in one section of the pool. To correct this, use the eyeball diverter included with your cleaner.

To install the eyeball diverter:

- First make sure your pool pump is off. Remove the original eyeball diverter from the return line at the pool by unscrewing the lock ring.
- Replace the original eyeball diverter with the Kreepy Kadet's eyeball diverter.
- Replace the lock ring and tighten. Make sure the opening of the eyeball diverter points in the proper direction before tightening fully. See "Eyeball Diverter Position."





IMPORTANT: The eyeball diverter must fit snugly into the eyeball fitting. Some eyeball fittings, like Aqua Leader or Olympic, may be too large for the eyeball diverter. In this situation, use the outer ring supplied with your Kreepy Kadet to adjust for the discrepancy in size.

- Snap the outer ring onto the eyeball diverter and position it in the first groove as shown in Figure 15.
- Insert the eyeball diverter/outer ring assembly into the eyeball fitting in the return line. See Figure 15.
- Install the lock (retaining) ring and tighten. See Figure 15.

Eyeball Diverter Positions

Position the diverter opening to redirect the return line water flow so it does not interfere with the cleaner's movement.

Common Diverter Positions are:

- Flow directed downward.
- Flow directed along the tile line, (side of pool along water line).
- Flow directed against cleaner's hose.
 1. To help cleaner get out of difficult areas.
 2. To prevent cleaner from getting into difficult areas.

If the Eyeball or Eyeball with outer ring do not fit your pool, use the Wire Diverter accessory available for purchase from your dealer.

After installing the eyeball diverter, turn the pool pump on. Your cleaner should begin moving across the pool floor vacuuming up debris in its path.

V. Troubleshooting

Because of the individual characteristics of your pool, some additional adjustments may be required to get the best performance from your Kreepy Kadet.

If there seems to be a problem, check these common causes of cleaner problems. If you still need help, call your pool professional or call our **Customer Helpline at 1-800-443-5711**.

- | | |
|---|-----------------------|
| – Is bottom main drain closed? | Close drain |
| – Is filter clean? | Clean filter |
| – Is pump strainer basket clean? | Clean basket |
| – Is debris blocking the bottom of the cleaner? | Remove debris |
| – Are there any leaks in the hose? | Replace leaky section |
| – Is automatic regulator valve free of debris? | Clean valve |

If Kreepy Kadet is not moving or not pulsating.

- Check to ensure that the main drain and all suction lines are closed, *except* for the suction line to which the cleaner is attached.
- Check for debris in the filter or pump basket.
- Check for debris in the cleaner's flapper. See page 14 for instructions.
- Pool pump and filter system may be too small (incapable of providing 14 gallons per minute of water flow). Consult your pool professional.

If Kreepy Kadet slows or stops and air bubbles enter the pool at the return line.

Find and correct the air leak that is causing the pump to lose its prime:

- Check the hose to ensure there are no leaks.
- Check the vacuum connection. It should be submerged so no air enters the system.
- Check the pump basket lid for looseness, cracks, worn or missing O-rings. If you need assistance, contact your pool professional.

If Kreepy Kadet stays in one end of the pool.

- Check the return line water flow and re-direct as necessary with an eyeball diverter.
- Check that the hose is long enough to reach to the farthest end of the pool, plus one section.

If Kreepy Kadet stays on the main drain.

- Check to ensure that the main drain is closed.
- Check to ensure that a main drain grate is installed.
- If main drain is not flush with the pool floor, consult a pool professional.

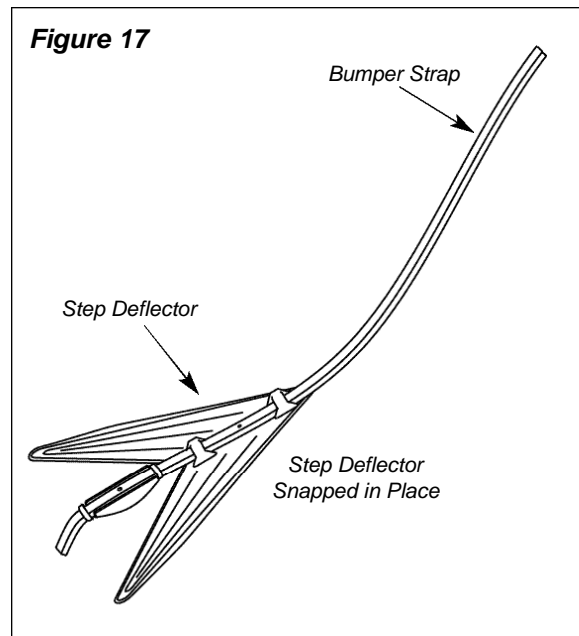
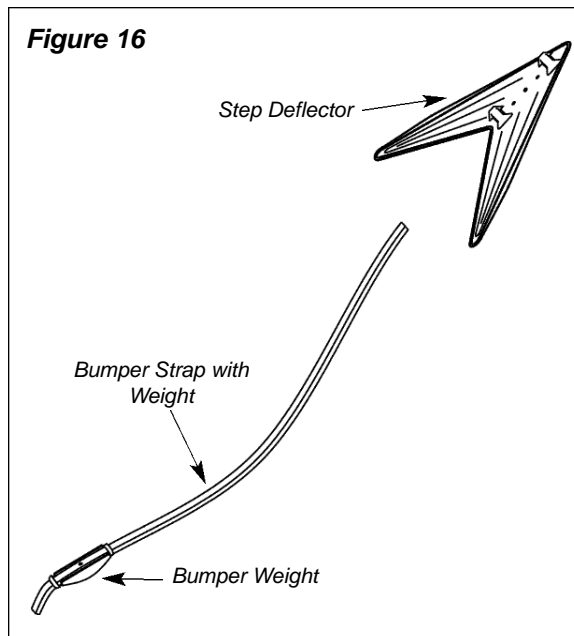
If Kreepy Kadet pulls air from, or remains at, the water surface.

- Check to ensure the dive float mechanism is securely attached.
 - Check automatic regulator valve for its proper installation and ensure it is not clogged with debris.
 - Make sure the water level is at least 3 inches below the pool deck.
-

If Kreepy Kadet stays at the shallow end steps.

- Check the return line water flow, it may be forcing Kreepy Kadet into the steps, and redirect as necessary with an eyeball diverter.
- Check the automatic regulator valve to ensure it is properly installed and not clogged with debris.
- Check to ensure the guide wheel is attached correctly.
- Install the optional step deflector (provided with your Kreepy Kadet). Un-clip the bumper strap from the main body and swivel head. See Figure 5 on page 5. Slide the bumper strap through the two slots on the step deflector. See Figure 16. Keep sliding the step deflector towards the weight on the end of the bumper strap until it snaps in place. See Figure 17. Follow the instructions on page 5 to reinstall the bumper strap with the step deflector.

NOTE: The step deflector can not be used in vinyl liner pools.



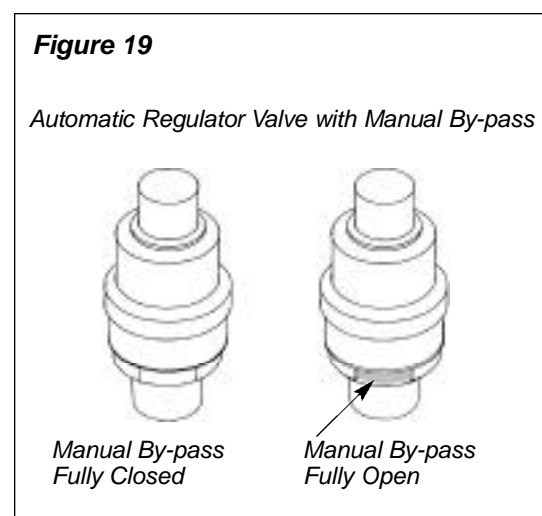
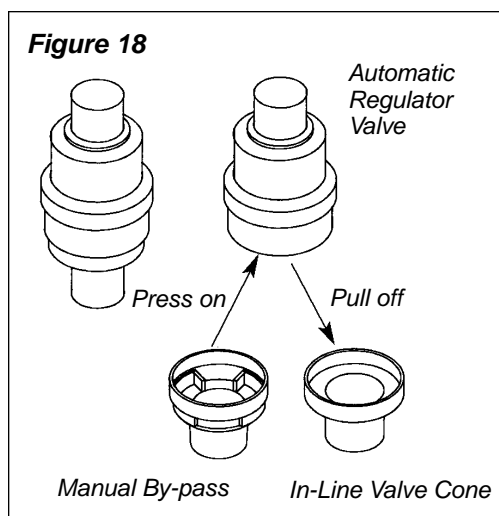
If Kreepy Kadet tracks in a repetitive pattern.

- Check the swivel on the top of the cleaner. It should turn freely.
 - Check the return line water flow and redirect as necessary with an eyeball diverter. See page 10 “Eyeball Diverter Positions.”
 - Check the hose to ensure it has not become bent or kinked. It only takes one bent or kinked hose section to hinder the cleaning coverage. One way to check for kinks in your hose is to lay each section flat on your pool’s deck (or other flat surface). The hose should be perfectly straight and flat. **Do not coil the hose when taking your cleaner out of the pool because it will retain the coil shape, forming a bend or kink.**
 - Check the position of the dive float. It must be lined up with the center of the main body and swivel head. If it is bent to one side, it will cause the cleaner to continually turn in that direction.
-

If Kreepy Kadet is moving too fast.

In most pools, the automatic regulator valve supplies Kreepy Kadet with the proper amount of water flow. However, if used with an especially powerful pool pump, the valve can be overpowered.

- To slow Kreepy Kadet down, a manual by-pass valve (Part #K12094) accessory is available for purchase from your Pentair Pool Products dealer. This manual by-pass can be adjusted to achieve the recommended cleaner speed of 8 to 12 feet per minute.
- To decrease the speed of Kreepy Kadet, simply remove the in-line valve cone from the bottom of the automatic regulator valve and replace it with the manual by-pass as shown in Figure 18.
- Press the automatic regulator valve back into the threaded compression adapter in the skimmer (or 2" hose cone if used). The end of the valve that is marked "attach hose this end" must point up.
- Adjust the manual by-pass while Kreepy Kadet is running. Place your hand into the skimmer and turn the by-pass adjuster one click at a time until the desired speed of 8-12 feet per minute is reached. See Figure 19.



If Kreepy Kadet gets stuck under your pool ladder.

- Install a Ladder Guard according to the instructions contained in the packaging. This accessory is available from your pool professional.

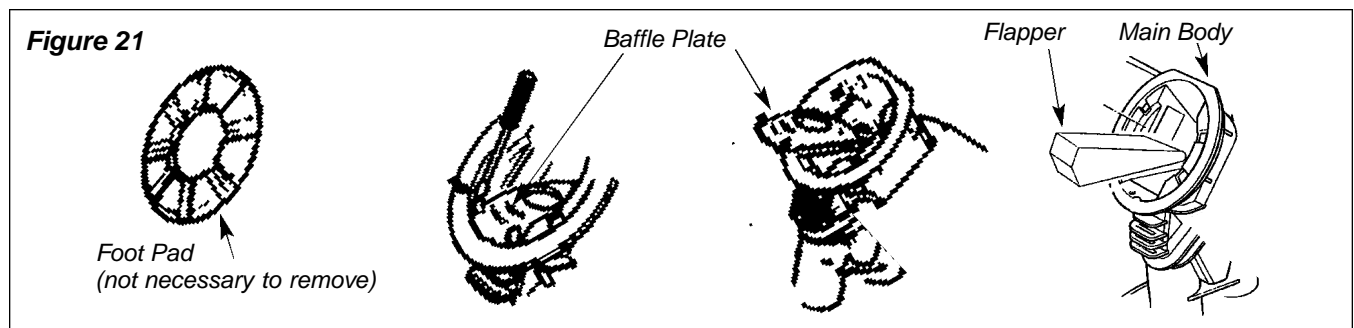
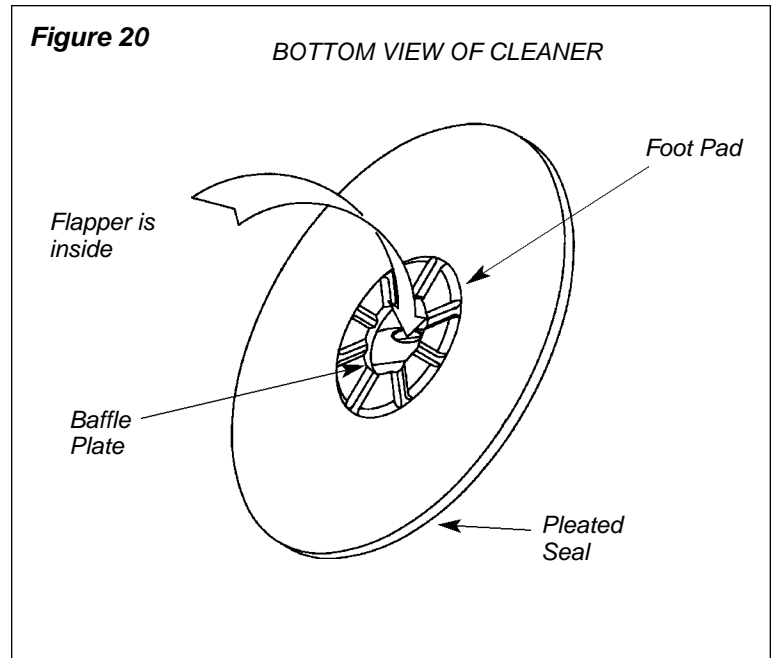
If Kreepy Kadet is still hampered by the unique characteristics of your pool, regardless of the adjustments we've provided:

- Consider "Thruster," (Part #K3370) the Kreepy Kadet accessory that aids random pattern coverage by automatically repositioning the hose to help free the cleaner from obstacles. Thruster keeps Kreepy Kadet out of tight spots in difficult-to-clean or uniquely-shaped pools. Ask your Pentair Pool Products dealer about this accessory.
-
-

To Remove Debris From The Flapper.

IMPORTANT: The pool pump must be off before removing the cleaner from the pool.

- Sometimes debris may clog the bottom of the cleaner and prevent flapper movement or restrict flow. The flapper is located inside the main body and must move freely at all times.
- You can see the flapper through the opening in the baffle plate when you turn the cleaner upside down, as shown in Figure 20. Jiggle the flapper with your finger or flush the cavity with a hose to force out any debris lodged inside the main body.
- If debris is still lodged inside, you must remove the flapper. First, lift the lip of the foot pad up and insert a flat-headed screwdriver along side one of the two tabs found on either side of the baffle plate. See Figure 21. Push the tab inward with the screwdriver until the baffle plate releases. Place a finger into the center opening of the baffle plate and pull up until it pops out. Then pull the flapper out. **NOTE: You should be able to do this without taking the foot pad off.**
- Once the debris is dislodged, insert the flapper back into the main body and snap the baffle plate back into position. Be sure that it is securely in place. See Figure 21.



VI. Maintenance

Kreepy Kadet requires almost no maintenance. Visually inspect your Kreepy Kadet from time to time to make sure that:

- The flapper is moving freely and is not obstructed by debris.
- The footpad is not excessively worn. When the traction pads on the bottom have worn down, it is time for replacement.
- The guide wheel is not excessively worn.

We recommend that you leave Kreepy Kadet in your pool, **except during chemical shock treatments.** During swimming it is easy to unplug Kreepy Kadet and pull it to one side.

When storing Kreepy Kadet, do not coil the hose. Lay the hose out flat in an area protected from direct sunlight. If hose sections are disconnected, try not to disturb the hose weight location.

To ensure optimum performance from your Kreepy Kadet, we recommend the use of blue sectional hose by Pentair Pool Products.

VII. Customer Service

Your satisfaction is important to us, so we're happy to help you get the best performance possible from your new Kreepy Kadet. This manual covers the standard performance adjustments, which may apply to your pool. **If you still need help, call our Customer Helpline at 1-800.443-5711.** Please have your Kreepy Kadet serial number ready when you call.

Disclaimer of Liability – About Your Pool and Kreepy Kadet.

There are a multitude of factors that contribute to the life of your pool. The Kreepy Kadet product is a very passive product that will have no impact on pool life.

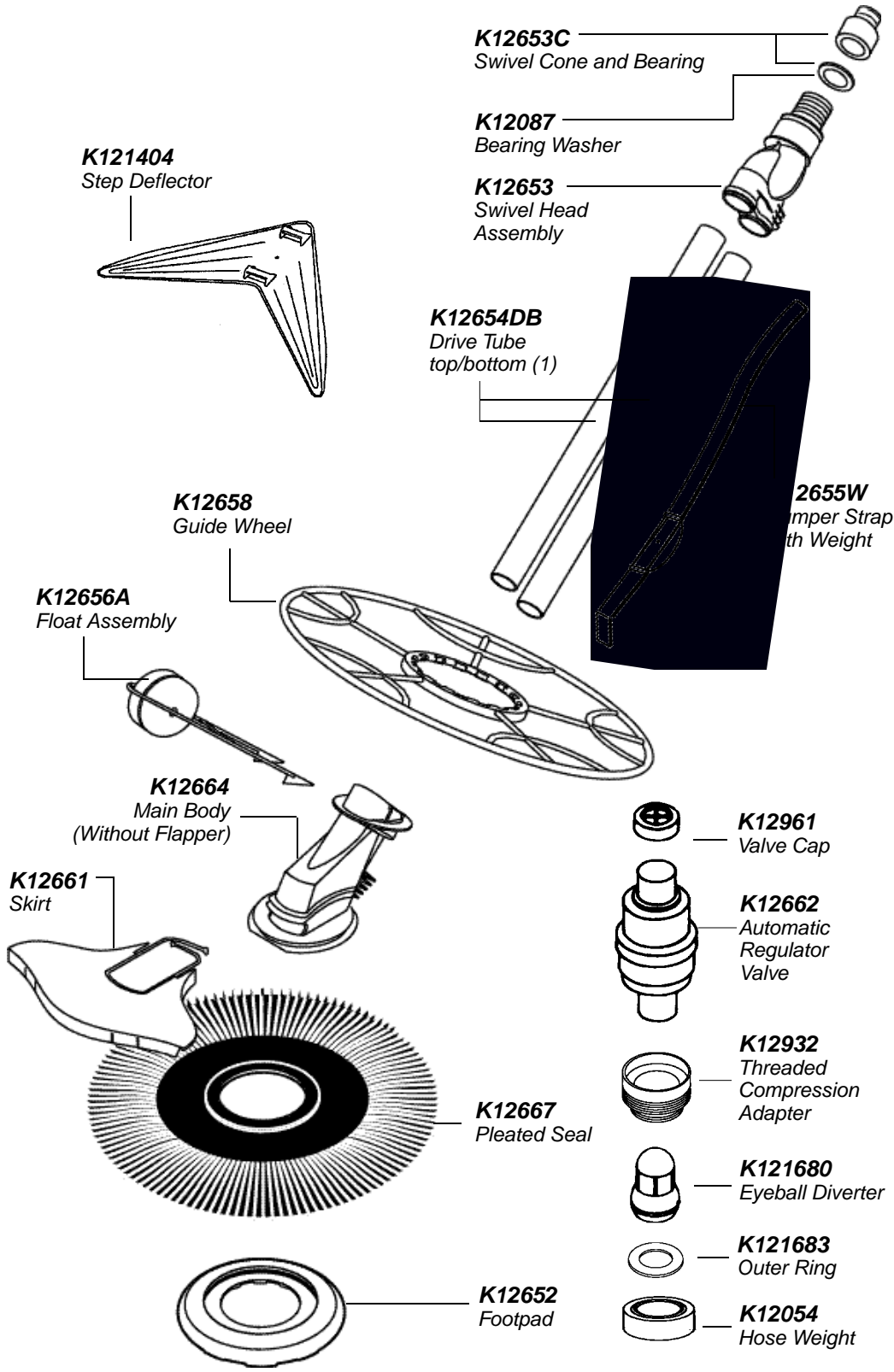
Please be aware that, over time, deterioration, discoloration, and brittleness of pool plaster can be caused separately by, or in combination with, age, an imbalance in pool water chemistry, improper installation, and other factors. An automatic pool cleaner such as Kreepy Kadet, will not remove or cause wear on “good” pool plaster. In fact, the opposite is true—pool plaster will eventually cause wear on the cleaner.

The same situation holds true for vinyl-lined inground swimming pools, because vinyl liners are also affected by the environment and factors such as pool water chemistry, sunlight and the pool's surroundings. Therefore over time, vinyl can become brittle and weak. In addition, vinyl-lined pools are affected by the workmanship, composition and installation of the liner; and workmanship and quality of construction of the supporting walls and pool base. These are all factors which can contribute to liner failure. The existence of any of these type of conditions in your pool is not caused by the use or operation of Kreepy Kadet. The manufacturer disclaims any liability for repairs or replacement to any of these structures or components of the customer's pool.

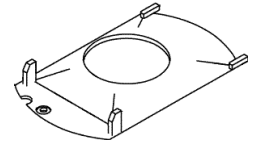
The pool owner must assume all responsibility for the condition and maintenance of the pool's surface, water and deck.

VIII. Kreepy Kadet Parts and Accessories

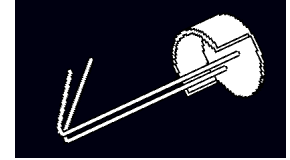
“Insist on Genuine Kreepy Kadet Parts To Protect Your Warranty”



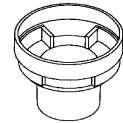
K12649
Baffle Plate



K121620
Wire Diverter



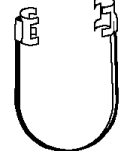
K12094
Manual By-pass for Automatic
Regulator Valve



K12078
45° Hose Connector



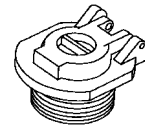
K12330
Ladder Guard



R211084K
Leaf Trap with Handle (clear)



K3500
Snap-Lock Wall Fitting



K50656
COMPLETE VACUUM
HOSE ASSEMBLY – BLUE
(32 ft. total length)
• 11 Sections Male/Female
Hose (32")
• 1 Section Female/Female
Hose (32")

Notes
