

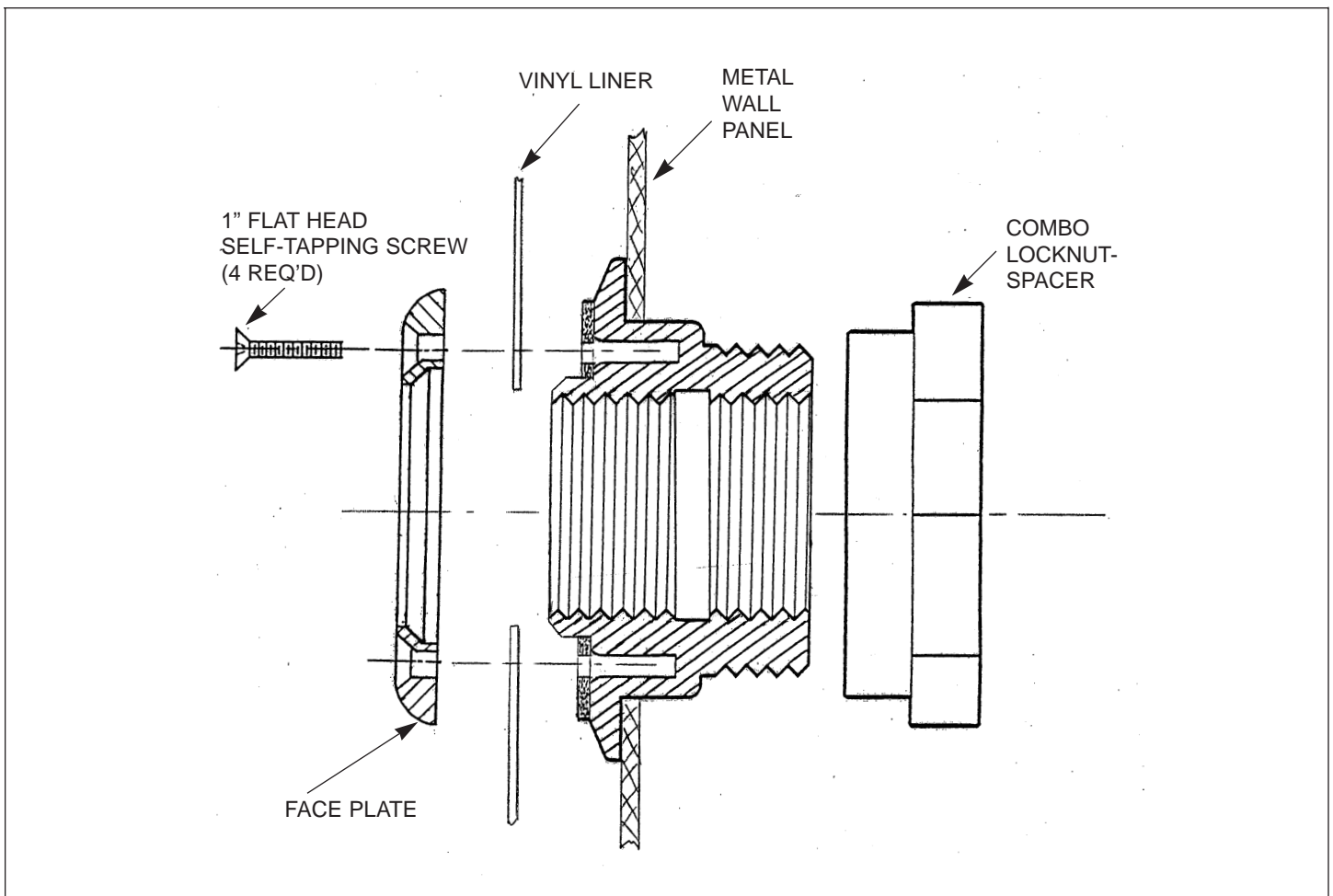


OWNER'S GUIDE

MODEL SP1408 INLET / OUTLET FITTING

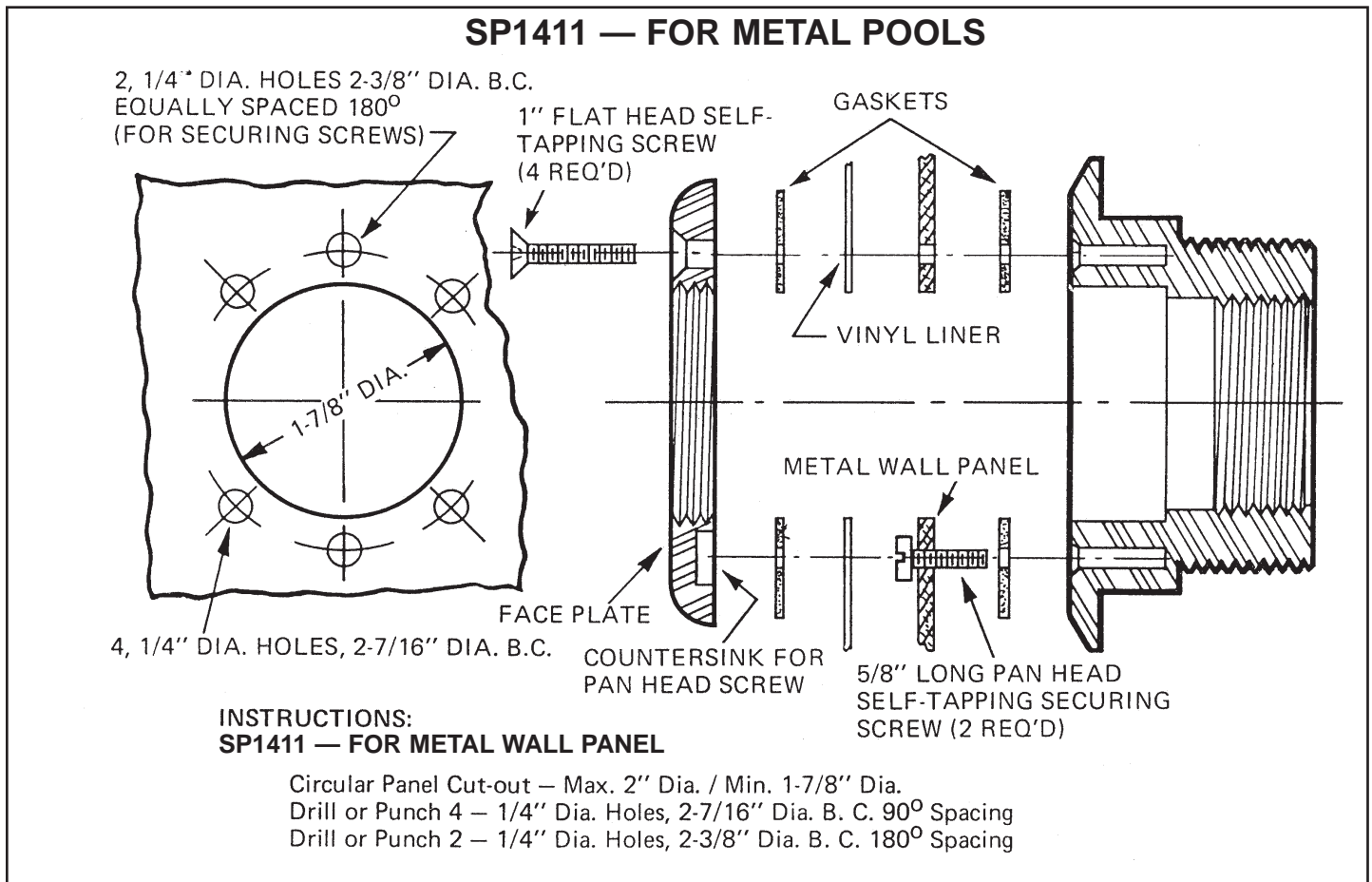
Installation Instructions:

1. Make one circular cut-out in pool wall minimum 3" in diameter and maximum 3-1/16" in diameter.
2. Insert fitting body through the inside of the pool wall until the underside of the flange is flush against the wall. If pool wall is 1/4" or less in thickness, screw combo locknut-spacer onto fitting body with polygon side to rear (as shown below). Tighten combo locknut-spacer firmly by hand—then turn 1/2 of a revolution with suitable channel locks (DO NOT OVERTIGHTEN), to hold fitting in place against pool wall. If pool wall is between 5/8" and 1" thick, reverse orientation of combo locknut spacer and screw on as described above.
3. If vinyl liner pool, install liner.
4. Place face plate on the inside wall of pool, making sure the holes in the face plate are lined up with the holes in the body of the fitting. If vinyl pool, pierce liner through face plate one at a time prior to inserting screws.
5. Fasten face plate to fitting body with the four (4) 1" screws provided. Screw through (1) Face Plate, (2) Vinyl Liner (if applicable), and (3) into Fitting Body.
6. If vinyl liner pool, cut-out vinyl liner along inside edge of face plate.



MODEL SP1411 INLET / OUTLET FITTING

1. Drill and cut-out pool wall panel per SP1411 panel cut-out dimensions and instructions in diagram below.
2. Place one gasket on the face of the fitting body, aligning screw holes in gasket with holes in fitting body (a very light application of adhesive cement will assist in holding gasket in place).
3. Align fitting (with gasket affixed) with drilled panel holes and fasten to outer wall panel, using the middle screw hole on each side of the fitting body, with the two 5/8" pan head securing screws.
4. If vinyl liner pool, install liner.
5. Place face plate with second gasket on the inside wall of pool, making sure the holes in the face plate are lined up with the holes in the body of the fitting. If vinyl pool, pierce liner through face plate one at a time prior to inserting screws.
6. Fasten face plate and gasket to fitting body with the four (4) 1" flat head screws provided. Screw through (1) Face Plate, (2) Gasket, (3) Vinyl Liner (if applicable), (4) Wall Panel, (5) Gasket and (6) into Fitting Body.
7. If vinyl liner pool, cut-out liner along inside edge of face plate.



HAYWARD POOL PRODUCTS, INC.

Hayward Pool Products, Inc.
900 Fairmount Avenue
Elizabeth, NJ 07207

Hayward Pool Products, Inc.
2875 Pomona Boulevard
Pomona, CA 91768

Hayward Pool Products Canada
2880 Plymouth Drive
Oakville, Ontario L6H 5R4

Hayward Pool Products Europe
ZA del'Observatoire
2, Avenue des Chaumes
78182 St. Quentin en Yvelines Cedex
France