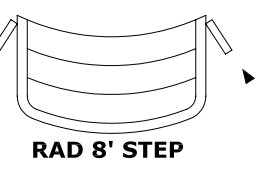
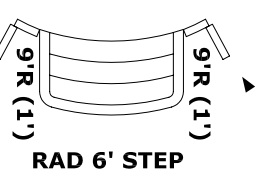
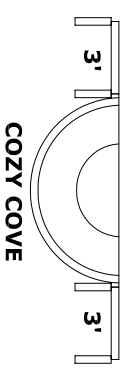
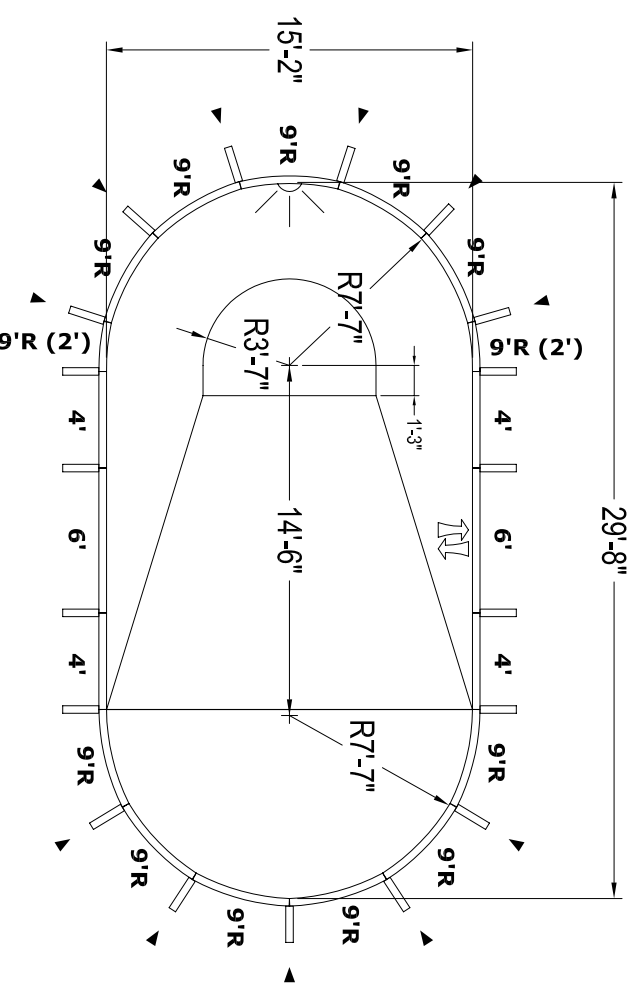


15'2" X 29'8" OVAL



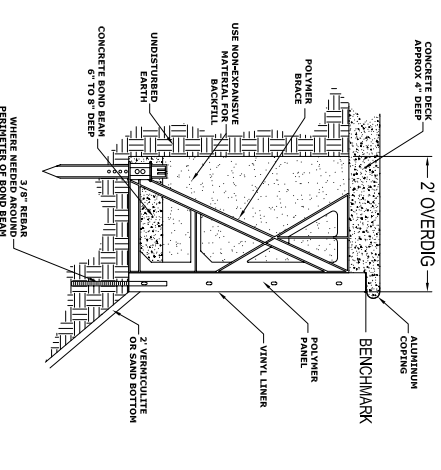
▲ = 5° WEDGE

DIMENSIONS		NSPI TYPE 0		SQ. FOOTAGE	GALLONS
A	15'2"	K	4'10"	451	
B	29'8"	L	13'		
D	3'4"	M	7'10"		
E	2'8"	M2	-		
F	6'	T	-		
G	7'2"	S	-		
H	4'	N	-		
I	4'	P	-		
J	4'	U	-		

BILL OF MATERIALS

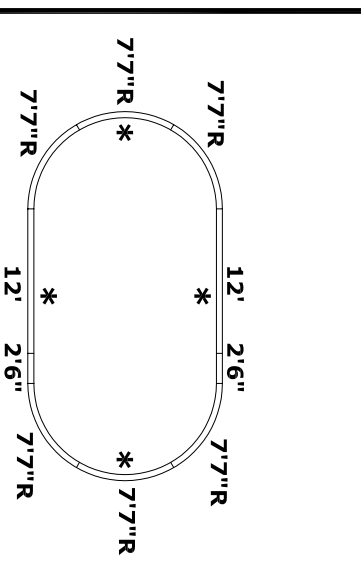
QTY	PART	DESCRIPTION
1	HP106	6' PANEL
1	HP106A	6' PANEL (A/G)
4	HP104	4' PANEL
10	HP159	9'R PANEL
1	HP159LL	9'R PANEL (LIGHT)
2	HP110	(9'R) 2' OVAL INSERT
11	HP126	5° WEDGE
19	HP199	BRACE

OVERDIG DETAIL



*NOTE: REFER TO INSTALLATION MANUAL FOR MORE INFO.

COPING LAYOUT



NO DIVING WARNING

ATTENTION DEALER/BUILDER:
It is your responsibility to ensure the safety package provided is delivered to the pool owner and that the "NO DIVING" labels are properly installed.
NO DIVING WARNING LABELS MUST BE INSTALLED IN NO DIVING AREAS ACCORDING TO NSPI SPECIFICATIONS

A DANGER
NO DIVING
SHALLOW WATER
DIVING MAY CAUSE DEATH OR PERMANENT INJURY

* SUGGESTED LABEL LOCATIONS ARE SPECIFIED IN THE COPING LAYOUT

PRE-CUT PANEL LEGEND

LIGHT

AQUAGENIE

GENERAL NOTES

1. These are finished dimensions ready for the liner.
2. Dimensions are from inside pool panels.
3. The ideal water level should be to the middle of the skimmer opening(s).

EXCAVATION NOTES

1. Rough excavation should be 2" deeper in each instance.
2. Soil to have minimum bearing capacity of 2000 P.S.F.
3. Locate top of pool at least 6" above surrounding land elevation.
4. See "Overdig Detail" for excavation around pool.
5. Fill voids under base of panels and ramp well.
6. Backfill with non-expansive material.

ADDITIONAL NOTES

THIS DOCUMENT IS FOR ILLUSTRATIVE PURPOSES ONLY.
The dealer or contractor who sells or installs your pool is an independent contractor and is not an agent of the Manufacturer. The construction methods illustrated here are suggestions and apply only to normal ground conditions. There may be additional precautions and/or methods of construction. Proper installation is the responsibility of the dealer/builder/contractor.

DATE: JAN 2007

PANEL LINE: HYDRA

DRAWING TITLE: 15'2" X 29'8" OVAL

DRAWING NUMBER: 10310

543 South Main Street - Sweetwater, TN 37874

HYDRA POOLS

Copyright © 2007 by Hydra Pools.