



MEASURING FORM

DISTRIBUTOR INFORMATION

COMPANY NAME _____

ADDRESS _____

CITY _____ STATE _____ ZIP _____

CONTACT _____

PHONE _____ FAX _____

DEALER INFORMATION

COMPANY NAME _____

ADDRESS _____

CITY _____ STATE _____ ZIP _____

CONTACT _____

PHONE _____ FAX _____

COVER SPECIFICATIONS COVER: SECUR-A-POOL SECUR&CLEAN **COLOR:** Blue Green

Job Tag Name _____ Deck Material _____

Does pool have at least 3'-0" deck around perimeter? Yes No

PLEASE ANSWER ALL APPLICABLE QUESTIONS BELOW

YES NO **DOES POOL HAVE A ROUGH COPING?** *If yes, what type of coping?* _____

YES NO **ARE THERE ANY NON-REMOVABLE LADDERS, HANDRAILS, GRABRAILS OR FILL SPOUTS?**
If yes, please indicate exact location on measuring form. What is distance rails extend into pool? _____

YES NO **ARE THERE ANY SLIDE LEGS WITHIN 3 FT. FROM THE POOLS EDGE?**
If yes, please indicate exact location on measuring form.

YES NO **IS THERE A DIVE STAND REQUIRING A CUTOUT?**
If yes, what is the distance from the pool edge to diving board stand? _____
What is the width of the stand? _____

YES NO **ARE THERE ANY GRAB ROCKS OR DIVE ROCKS?**
*If yes, please provide photos and A-B measurements.
(A-B measurements should be taken in 12" increments around rock formations.)*

YES NO **IS THERE A SPA?** *If yes, please provide photos and A-B measurements.*
Is a separate cover required for the spa? Yes No
Is the spa raised above the deck level? Yes No *If yes, how high?* _____
Is the spa dividing wall flush with the coping? Yes No *What is the width of the dividing wall?* _____
Does the spa have a spillway? Yes No *Spillways must be padded.*
If yes, please indicate exact location with A-B measurements.

YES NO **IS THERE A PLANTER OR GRASS AREA?** *If yes, please provide photo and A-B measurements.*
Please note, the number of tent stakes/lawn tubes must not exceed 10% of total anchors for safety & warranty.
Does the area require stakes or is there enough space between the coping and planter for anchors? _____
What is the width of deck in this area? _____

YES NO **IS THERE A RAISED DECK AREA, RAISED BOND BEAM, RAISED WALLS, RAISED ROCK FORMATIONS OR WATERFALLS?**
If yes, please provide photos and A-B measurements.
Measure all points along raised area at same level as pool coping.
(If rock formation or tight radius, measure in 12" increments).
Be sure to indicate starting point and stopping point for the raised deck area on your A-B measurements.
How high is the deck raised from the coping level? _____
Can the raised deck wall be drilled into to hold wall anchors? _____
What type of material is the wall face? _____

YES NO **ARE THERE ANY SPECIAL DESIGN INSTRUCTIONS?** Please specify _____

MEASURING INSTRUCTIONS

STEP 1

Sketch the inside dimensions of the pool (see example) on the next page. Include all nonremoveable details within four (4) feet of the waterline, i.e. coping (width), rocks, grab rails, waterfalls, spas, ladders, raised walls, uneven decks, planters, etc.

STEP 2

Using chalk, establish two points A and B (see example). The distance between them should be roughly 2/3 the length of the pool. (i.e. if pool is 30 ft., make A-B line 20 feet.) Be sure to indicate distance between A and B and roughly show their location on your drawing. Make certain that the imaginary line between A and B and extensions of it, are at least three feet from water.

STEP 3

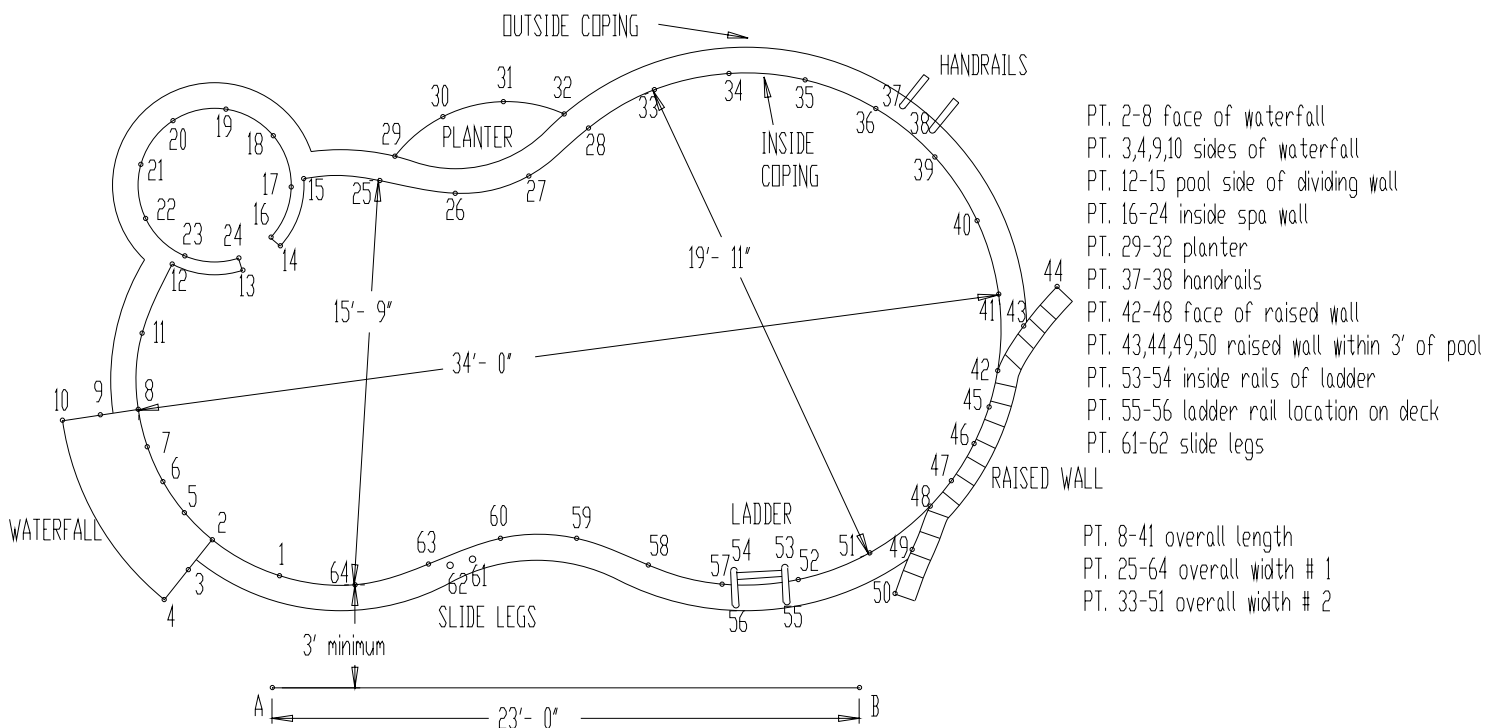
Make a chalk mark (number each mark) at roughly three (3) foot intervals around the entire pool. Be certain to number all corners, rail locations (front and back of rails), fill spouts, or other obstructions if they are not removable. Mark points along spa side and pool side of dividing wall. Mark areas at one (1) foot intervals when tight radius, rocks, raised walls, waterfalls, or similar obstructions are encountered. Diagrams with these types of obstructions should be accompanied by a photograph. Include width of spa wall or distance between spa and pool, if separate.

STEP 4

Attach a tape measure to point A. (Pull tape tightly on each measurement). Now measure distance from point A to point 1, then point A to point 2, and so on. List measurements in corresponding columns on next page (see example). Move tape to point B, and measure in the same fashion; point B to point 1, and so on.

STEP 5

Pick two (2) numbered points representing roughly the overall length of the pool at the waterline (see example). List this measurement. Do the same for the overall width of the pool.



FOR QUESTIONS ABOUT MEASURING, PLEASE CALL OUR CUSTOMER SERVICE DEPARTMENT AT 800-448-2343

CUSTOM RECTANGLE COVERS

If your pool is not pictured below, please complete custom A-B measuring form*

1. SECUR-A-POOL (MESH) SECUR&CLEAN (SOLID) 2. STRAP SPACING: 3-ft. 5-ft.
 3. COLOR: Blue Green 4. ANCHORING SYSTEM: Concrete Wood deck Lawn tubes

5. DECK MATERIAL _____

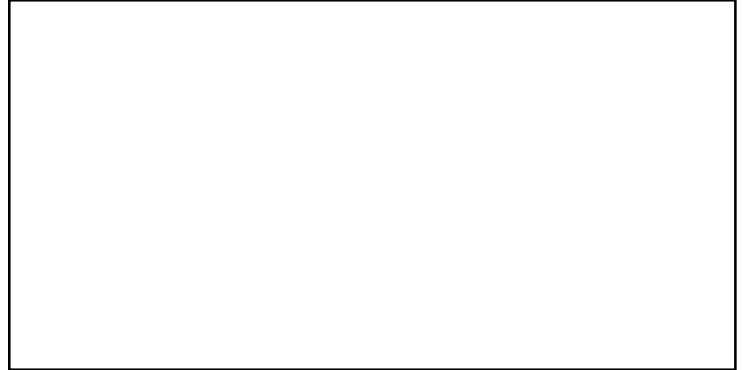
6. COPING MATERIAL _____

7. CUTOUTS (If you have cutouts, please draw pool in box with measurements of cut out location).

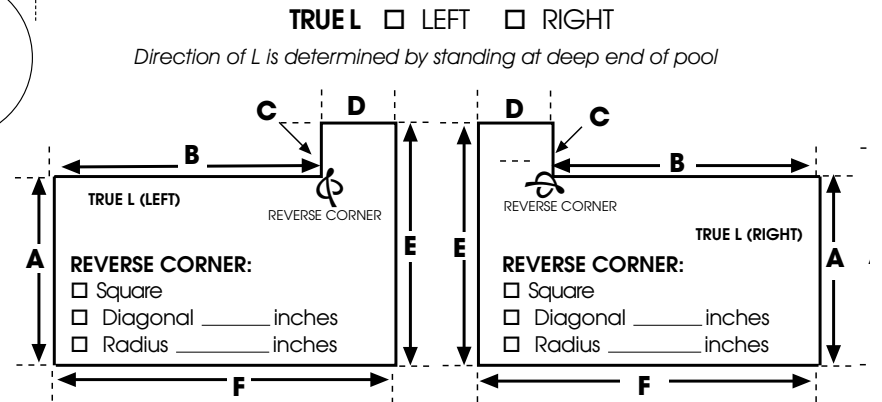
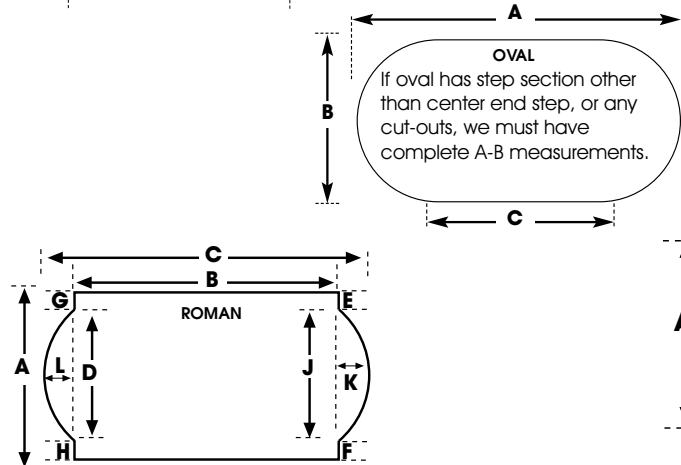
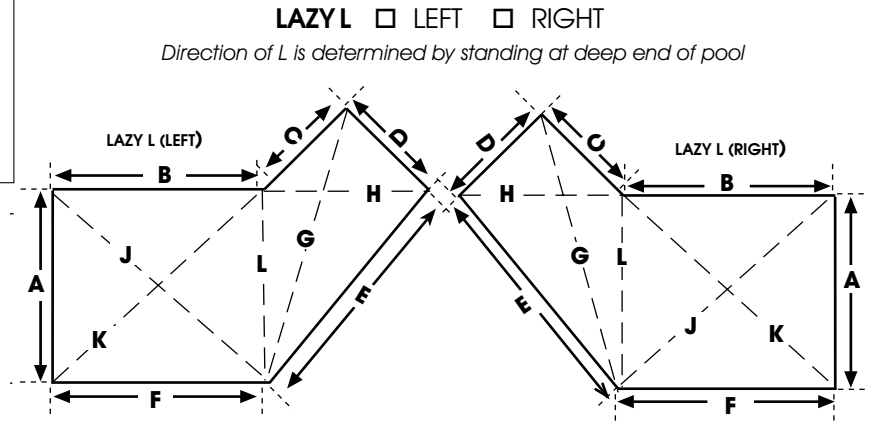
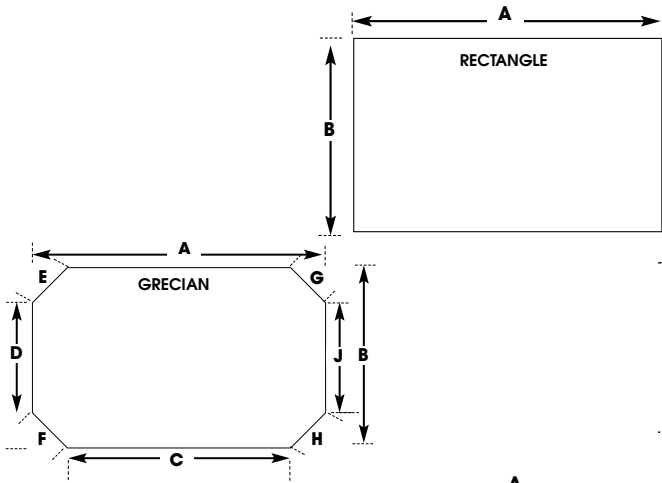
8. STEP LOCATION Center shallow end
 Other (please draw with step measurements in box)

9. CORNERTYPE?

- Square
 Diagonal _____ inches
 Radius _____ inches



	A	B	C	D	E	F	G	H	J	K	L
RECTANGLE			XXXXXXXXXX	XXXXXXXXXX	XXXXXXXXXX	XXXXXXXXXX	XXXXXXXXXX	XXXXXXXXXX	XXXXXXXXXX	XXXXXXXXXX	XXXXXXXXXX
GRECIAN										XXXXXXXXXX	XXXXXXXXXX
OVAL				XXXXXXXXXX	XXXXXXXXXX	XXXXXXXXXX	XXXXXXXXXX	XXXXXXXXXX	XXXXXXXXXX	XXXXXXXXXX	XXXXXXXXXX
ROMAN											
TRUE L							XXXXXXXXXX	XXXXXXXXXX	XXXXXXXXXX	XXXXXXXXXX	XXXXXXXXXX
LAZY L											



DRAW POOL BELOW, CAREFULLY FOLLOWING INSTRUCTIONS ON PREVIOUS PAGE.

MAKE OF POOL _____

A _____ **B**
(Distance)

FILL IN DISTANCES IN BELOW COLUMNS (SEE STEP 4 ON PREVIOUS PAGE)

Point A to Point B _____ Overall length _____ Point # _____ to Point # _____
Overall width _____ Point # _____ to Point # _____

	A	B		A	B		A	B		A	B
1			16			31			46		
2			17			32			47		
3			18			33			48		
4			19			34			49		
5			20			35			50		
6			21			36			51		
7			22			37			52		
8			23			38			53		
9			24			39			54		
10			25			40			55		
11			26			41			56		
12			27			42			57		
13			28			43			58		
14			29			44			59		
15			30			45			60		