

DANGER!!

Safety Information

<p>Your pool is designed for years of pleasurable, safe family fun. But when used incorrectly, a swimming pool can be dangerous. To insure your pool is used safely, you MUST observe the following safety precautions:</p> <ul style="list-style-type: none"> ❖ Do not dive!- Do not jump!-No rough play!- no running or pushing ❖ Do not walk on the top rail. It can be slippery & is not a walkway. ❖ Be sure to install all safety labels provided with your pool according to the instructions. ❖ Keep a safety rope ¼" by 50' with a floatation buoy with an outside diameter of 15". Have accessible in prominent area by your pool. ❖ Post near all entrances to the pool area a list of phone numbers of the: <ul style="list-style-type: none"> • Nearest available police • Nearest available fire department • Nearest available rescue unit • 911 emergency number if available • Nearest ambulance service • Nearest available hospital • Nearest available physician ❖ Provide fencing or enclosure, which is independent of the house as a closure around the entire pool area. The fence must be made of durable material to make pool inaccessible to toddlers and uninvited guests. 	<ul style="list-style-type: none"> ❖ Make sure gate is always closed, Be sure to follow local building code requirements for load capacity and fencing ❖ Check with your local town for any special laws in your locale. ❖ Never drink alcoholic beverages or use any intoxicants, which could hinder your judgment or reflexes. ❖ Never use pool alone. All children must be supervised continuously. ❖ Do not use pool if bottom is not clearly visible: At night sufficient lighting must be available. It is the pool owner's sole responsibility to provide adequate lighting for pool bottom, safety signs and walkways, which exceed the standards of the EIS of North America. ❖ Do not climb, stand or sit on any pool structure or the filter system. Components such as the filtration system, pumps, and heater must be positioned so as to prevent their being used as a means of access to the pool by young children. ❖ Be sure that all toys, chairs and tables or similar objects that a young child could climb on are at least 4 feet away from pool. ❖ Do not use pool during electrical or rain storms ❖ See available National Spa and Pool Institute (NSPI), publications for more tips on pool safety
---	--

IMPORTANT NOTICE! READ BEFORE INSTALLATION

The safety stickers must be installed as per following instructions. Failure to properly install warning labels will void warranty. Failure to mount these safety labels may subject you to substantial liability in case of injury.

Notice to Pool Owners and Installers

These warnings are not to be removed under any circumstances! If they fall off or become discolored please request replacements, which will be sent at no charge. Practical pool safety- these labels and your cooperation may save a life! Also, failure to mount these instructions may subject you to substantial liability in case of injury.



1 sign is for placement on liner and 1 on top seat. 1 Sign is supplied with the liner and 1 with the pool in hardware kit. Place above the water line, located at 2 equal points away from ladder.

1 Sign

For placement so sign is visible from all possible entrances to pool. If more are needed write for additional signs at no charge

WARNING!!!
THIS POOL IS NOT DESIGNED FOR DIVING OR JUMPING.
DANGEROUS INJURY CAN RESULT- SHALLOW WATER.

DANGER!!!
SHALLOW WATER! NO JUMPING!
NO DIVING! CRIPPLING INJURY OR DEATH MAY RESULT



INSTRUCTION SHEET FOR AQUA LEADER ROUND POOLS

Thank you for choosing AQUA LEADER and congratulations on your new pool purchase! You must make a preliminary study of this instruction booklet to familiarize yourself with all that is involved with the installation, and to get a thorough understanding of the step-by-step procedures you are about to follow. If you do not follow this instruction booklet thoroughly, you may damage your pool or property and void your warranty. (Refer to your warranty for complete details on conditions and limitations).

Again, thank you for choosing Aqua Leader, and we wish you many safe and pleasant summers!

Plan your installation

Before you begin, make sure your installation meets all municipal regulations and local codes related to above ground pool installations. Be sure to check the local laws regarding construction and electrical installations and, make sure your pool is installed to conform to all security regulations related to pool fencing and covers.

Important

Above ground pools are not designed to be installed below the surface. Outside ground forces can collapse the pool wall. If you hire a professional installer, this installation booklet must be followed. AQUA LEADER will not be responsible for improper installation.

Before you begin

Make sure you have all of the necessary parts and equipment to assemble and install your pool. (see the Parts List in your pool specific instruction sheet) If you find irregularities such as missing or defective parts see your Aqua Leader authorized dealer for replacements.

Necessary tools for assembly

- Measuring tape
- Nails
- Heavy string
- Adjustable spanner
- Tamping tool
- Garden rake
- Shovel
- Wood stake
- Clothespins 3" long
- Pipe wrench
- Felt tip pen
- Hammer
- Carpenter saw
- Knife
- 2' carpenter level
- Screw driver (philips)
- String level
- 2" heavy fabric tape
- Pliers
- Grass roller

1- POOL SITE PREPARATION

To select an appropriate site, consider the following:

- Distance from the fence
- Accessory location (filter, decking, etc.)
- Appropriate electrical outlets
- Weeded areas
- Overhead electrical wires
- Surrounding trees (falling leaves and roots)
- Sun reflection in your yard
- Underground cables and gas conducts
- Predominant winds

Do not install your pool on concrete or asphalt, wood, grass, turf, top of grass, gravel or chemically treated soil. Do not install on windy days and make sure you have at least 3 or more helpers.

Ground surface and levelness

It is extremely important that the ground surface is firm and solid. The pool site must be free of grass, rocks, roots, or any sharp objects. Any parcel of grass left under the pool will rot and release an unpleasant odor.

Avoid installing your pool on surfaces that have been treated with oil, weed-killer or chemical products - this could adversely affect your pool installation and damage the liner. The entire pool surface must be completely leveled. (DO NOT FILL LOWER GROUND AREA) - any added ground would not provide the strength needed to support the weight of the pool.

LEVELING THE POOL SITE

After you have chosen the best site for your pool, the installation may begin.

- Drive a wooden stake into the ground to mark the pool center.
- With a string and a can of spray marking paint, draw a circle that is 12-inches (30cm) greater in radius than your pool. Refer to (figure 1.1) and the "diameter table" in your pool specific instruction sheet to know the real pool radius.

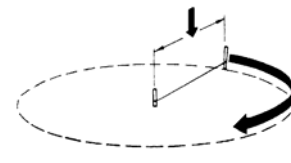


Figure 1.1

- Remove all grass within this circle.
- Level the site using a shovel, a carpenters level with a straight board and some scrap wood, assembled as shown in (figure 1.2). Make sure the straight board is the same length as the radius of your pool. Remove all high spots and level to the lowest point within the circle. Do not add any soil to the site. Added soil will not provide the strength required to support the weight of the pool. The ground must always be firm. The entire bottom must be smooth and free of stones, sticks and any other foreign materials that could puncture the liner. (In areas where ground freezing or poor drainage



Figure 1.2

occurs, it is recommended that a 2" min. (5 cm) of compacted crushed stone be added at the pool perimeter.)

Aqua Leader will not be responsible for any damages to your pool if it is not installed according to the installation instructions. Installing your pool on soft or non-leveled ground will constitute voiding your warranty.

2- ASSEMBLING BOTTOM WALL CHANNELS

¼ in

Channel

Two types of installations are possible with Aqua Leader pools:

Separated foot plate : Insert the bottom channel up to half of the foot plate. Leave a space of ¼ in. (6 mm) between each channel. (Figure 2.1)

Close the circle by using all foot plates and channels. (figure 2.2)

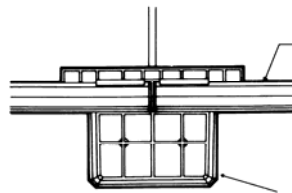


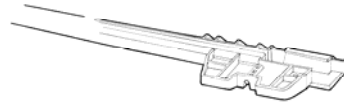
Figure 2.1



Figure 2.2

Channel with jointed foot plate : Insert the narrow end of the wall channel (figure 2.4) into the wider combination of the bottom plate wall channel allowing 1/4 inch (6mm) spacing between plate and the end of the wall channel (figure 2.4).

Close the circle using all the bottom wall channels (figure 2.3). Always begin with 1/4" spacing between plate and bottom wall channel. (Spacing may vary with different diameters).



Jointed foot plate channel

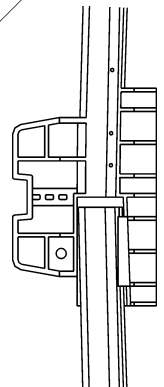


Figure 2.4



Figure 2.3

3- INSTALLING THE POOL WALL

- Before you proceed, make sure the material to build the cove is placed inside the perimeter of the pool.

- With the help of at least 3 people, uncoil the wall so that the pattern faces the outside making sure the pre-punched slot for the skimmer is at the top. (figure 3.1)

- Consider putting the skimmer slot close to the planned location of the filter.

- Insert the wall, starting in the middle of a bottom plate. Guide the wall into the wall channel until both ends meet.

(figure 3.2 and 3.3 for jointed plate and figure 3.4 and 3.5 for separated foot plate)

Respecting this procedure, the pool wall joint will be entirely hidden by the post.

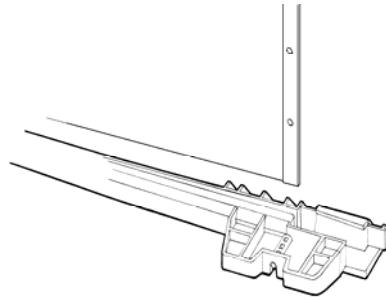
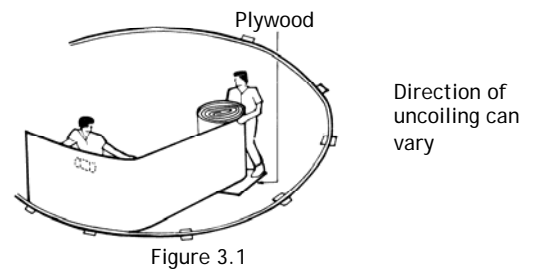


Figure 3.2

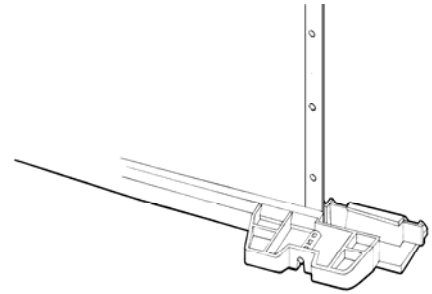


Figure 3.3

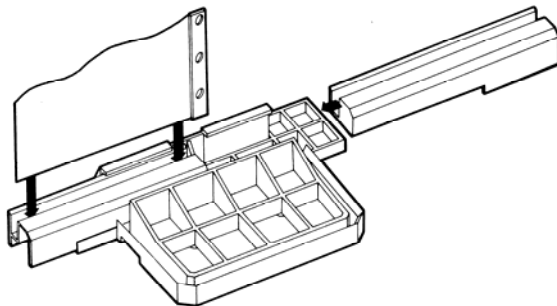


Figure 3.4

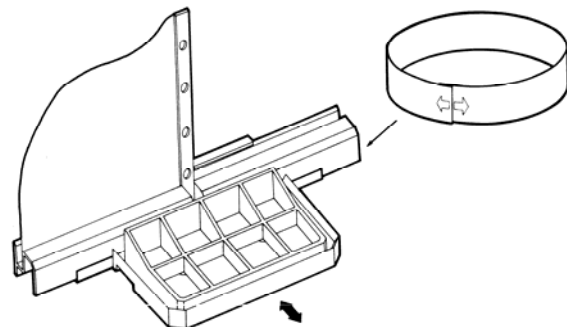


Figure 3.5

- While uncoiling the wall, install the top wall channels around the circumference of the pool wall. This will add rigidity during installation. (figure 3.6) Make sure the top wall channel junctions are aligned with the bottom wall channel junctions.

- If the pool walls do not meet or are overlapping too far, gently tap each of the footplates from the outside or inside. You will slightly change the circumference of the wall enabling it to fit perfectly. When joining the pool wall, make sure the folded end of the wall is facing the inside of the pool, and the other folded end is

outside the pool (figures 3.7 and 3.8). To assure stability during installation and avoid damaging the wall, use tape to temporarily attach the pool to the posts. It is very important that the pool is round. The pool diameter must be the

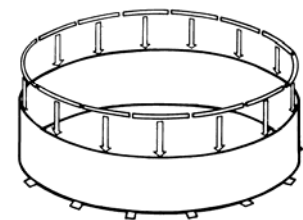


Figure 3.6

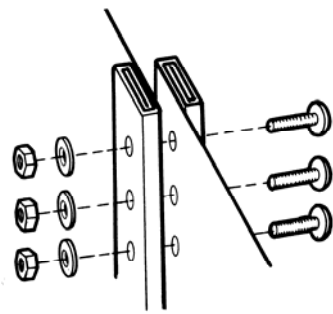


Figure 3.7

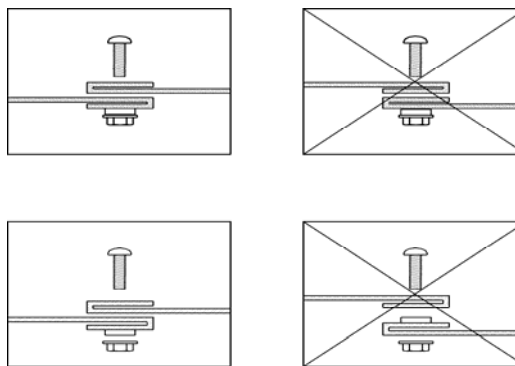


Figure 3.8

same in all directions. Take your measure at the bottom for more precision.

Outside

Inside

NOTE: Due to the enormous pressure exerted against the pool wall, it is essential to screw in all bolts tightly.

- Begin at the bottom of the wall and work up.
- Do not leave any empty holes.
- Make sure that the pool wall is resting securely in the bottom of the wall channels (figure 3.3 and 3.5) and that it makes a perfect circle.
- Bolt heads must be inside and nuts and washers outside (figures 3.7).
- File off any burrs and cover all bolt heads with a heavy fabric tape before you put in the vinyl liner. (figure 3.7 inside)
- Remove the center stake.

Correct

Incorrect

4- INSTALLING SUPPORT POST

(Refer to your pool specific instruction sheet)

5- COVE CONSTRUCTION INSIDE POOL

The cove is necessary to prevent the liner from creeping underneath the wall. Aqua Leader will decline any liability for damages if this step is omitted. Use only humid screened soil. Do not use thin sand, grass, turf or any product called "pool base"; these products can cause damage to the liner. (You can use COMPACTED SIFTED EARTH COVE or PRE-FORMED COVE - available through your dealer).

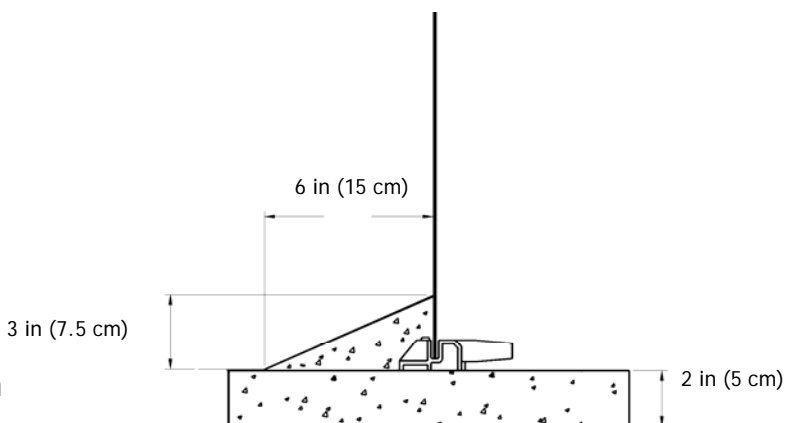


Figure 5.1

- Spread about 2" (5 cm) of the cove material on

the bottom of the pool while making sure the cove is 3" (7.5cm) high (figure 5.1). Be sure to compact the cove material and remove any small stones.

6- INSTALLING VINYL LINER

Place the folded liner in the center of the pool.
(Remove your shoes to avoid damaging the liner).

- Unfold the liner making sure it is right side up bringing the bottom seam along the base of the pool wall (figure 6.1).

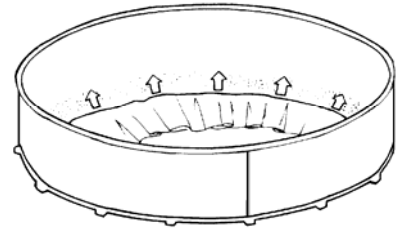


Figure 6.1

Important: Do not cut skimmer and return holes until there is 2' (60 cm) of water in the pool.

Installing beaded liners

- Remove the top wall channels by section.
- Hang the bead of the liner at the top of the wall.
As the bead is being installed, replace the top wall channel as you work the circumference of the pool.
For a "Snap-in" liner, the bead hook is inserted in the top channel, which is designed for that type of liner.

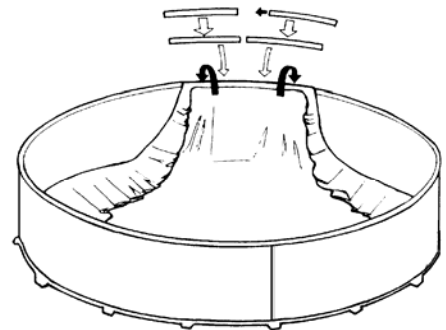


Figure 6.2

Do not install liner at opposite sides (figure 6.2, 6.3). To avoid liner creases and wrinkles, the liner must be installed moving in one direction.

- Start filling the pool by using a slow stream of water.

- As the water rises, remove any remaining creases by pushing the excess material towards the sides of the pool wall.

- Before you go further, check the gap between each top wall channel. It should be nearly the same as those at the bottom.

- Continue filling the pool until the cove is completely covered. For overlap liners, while filling the pool, gently pull up the excess liner to the top of the pool wall just along the cove area. Re-secure with the plastic coping and the top wall channels.

Installing overlapping liners

- Remove the top wall channels by section.

- Overlap the liner at the top of the wall and hold it in place by inserting the plastic coping.

- Install the top wall channels on the wall (figures 6.2, 6.4), following this step around the circumference of the pool. Do not install liner at opposite sides. To avoid liner creases and wrinkles, the liner must be installed from one direction.

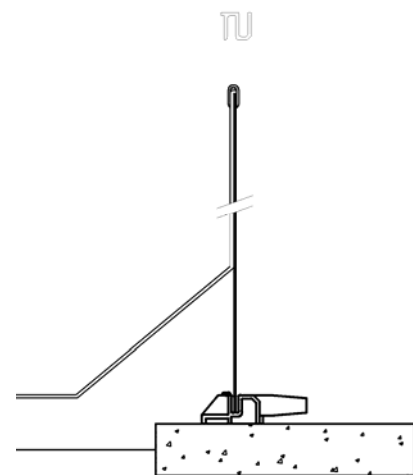


Figure 6.3

NOTE: (Overlapping liner only) To prevent the liner from being visible on the outside of the pool, fold it towards the inside before installing the top wall channels, as shown in figure 6.4.

Remember:

- Pull the liner firmly but gently. DO NOT PULL THE LINER COVERED BY WATER.
- Avoid sharp tugs and pulling liner by the seams.
- Do not damage the cove.
- Equally distribute any excess in the liner circumference around the top of the pool.
- Use the plastic coping to hold the liner in position.
- Make sure the liner at the bottom is smooth and free of creases.



Figure 6.4

7- STRUCTURE INSTALLATION

(Refer to your pool specific instruction sheet)

FINAL INSTALLATION TIPS

When installing a thru-the-wall skimmer, follow the instructions of the manufacturer. It is essential that there is no leakage of water at either of the openings. If water is allowed to drip down the metal wall of the pool, it will cause the wall to eventually deteriorate and split. At the slightest sign of corrosion, you must sand down this area and paint it. It is a good idea to silicone edge of wall at skimmer opening. Gasket is used directly over steel an aluminum wall.

Be prepared to chlorinate your water within 24 hours of filling to prevent algae and bacterial growth. If you are using well water or water with high mineral content, consult your pool dealer for proper preventative action.

DO NOT PUT POOL CHEMICALS DIRECTLY INTO THE WATER. ALL CHEMICALS MUST BE THOROUGHLY DISSOLVED IN WATER, AND THEN Poured INTO THE POOL. IF CHLORINE IS NOT DISSOLVED, IT WILL BLEACH LINER AND MAKE PINHOLES IN THE LINER. IF WATER IS DRAINED AT ANY TIME, LINER MAY SHRINK AND BECOME UNUSABLE WITH NO RECOURSE TOWARDS THIS COMPANY. REMOVAL OF WATER WILL VOID WARRANTY.

POOL MAINTENANCE

Small repairs and punctures in your liner may be easily repaired using underwater repair kits available at your local dealer. Scratches on your pool wall and frame must be touched up with anti-rust enamel paint. Keep your pool wall and frame clean. Wash periodically with a mild soap solution (no

abrasives). Use a clean non-yellowing household wax on all metal components. Quickly wash away any deposits of pool chemicals which land on the frame of your pool.

Since metal are subject to wear and/or corrosion, a strict periodic inspection schedule should be maintained and followed. If any corrosion is found, IMMEDIATE CORRECTIVE ACTION MUST BE TAKEN. Wire brush all rust and add a coat of enamel primer followed by a coat of color matching anti-rust enamel paint. The skimmer area is one particular area that must be carefully inspected. If any corrosion is allowed to continue, failure of the pool structure may follow which could result in excessive property damage as well as bodily harm.

WINTERIZING YOUR POOL

All of our liners are designed to be left up all winter, but nonetheless are subject to the warranty of the liner being purchased. Continue to chlorinate and filter until the pool is closed down. Before closing down your pool for the winter, you must make a complete inspection of the pool. Check all the connections to make sure everything is tight and in good condition. Check to see that the liner is snugly held in place over the wall. If there is any indication of rust and/or deterioration in any part you must correct the situation immediately. During the winter, the pool is subject to more stress than in the summer and any breakage that is caused by incorrect winter procedures is not subject to any warranty with this company.

Lower the level of water to about 18 in. (45 cm) below the skimmer holes. Throughout the winter, you must check this level as it must not reach the skimmer holes at any time during the winter. Because of rain and snow, adjustments will become necessary. Never leave the pool stand empty without any water in it as it will be subject to wind damage

If your skimmer is supplied with a winter plate and cap, follow same steps as above. It is essential that no water be allowed to run down the wall for any period of time as it will cause the wall to deteriorate. If your skimmer did not come with the winter plate, it is available at a nominal charge at your dealer and is recommended. Even in the summer, the SKIMMER MUST NOT BE ALLOWED TO LEAK INSIDE OR OUTSIDE THE WALL as this will cause the wall to deteriorate and possibly break. See your dealer for more information.

YOU HAVE BEEN GIVEN TWO WARNING LABELS WHICH MUST BE PLACED ON THE LINER AND TOP SEAT. YOU HAVE ALSO RECEIVED A LARGER SIGN WHICH IS TO BE PLACED ON THE OUTSIDE WALL NEXT TO THE ENTRY OF THE POOL.

IMPORTANT WINTER RULES

After pool has been winterized and ALL steps carefully followed, the following checks and procedures MUST BE strictly followed during fall, winter and spring seasons.

YOUR POOL WARRANTY WILL BE INVALID IF POOL HAS BEEN IMPROPERLY WINTERIZED AND THE FOLLOWING PROCEDURES NOT STRICTLY ADHERED TO.

POOLS WHICH HAVE BEEN INCORRECTLY WINTERIZED HAVE BEEN KNOWN TO COLLAPSE UNDER THE TREMENDOUS PRESSURES EXERTED BY ICE AND SNOW.

A pool that is left up during the freezing temperatures **MUST NOT BE ALLOWED TO LEAK**. To determine if your pool is leaking, mark the liner at the water level and very closely observe the water level in the pool for a period of 10 days to 2 weeks after pool is closed for the season. Any rain during this period may compensate for any undetected water leakage. Therefore, observation period must be extended to find any leaks. All leaks must be found and immediately repaired. Any water leakage which goes undetected or occurs after top surface is frozen will allow the frozen surface to settle and may damage the pool liner, wall and framework.

NOTE: It is not uncommon for a leak to develop during rigorous summer usage and go undetected. What is thought to be water loss due to evaporation or spillage may be caused by a small leak. Persistent wet areas around pool should be inspected.

Maintain a strict leak inspection schedule throughout the fall, winter and spring months. Spring thawing which frequently leads to ground heaving can be especially dangerous if care is not taken.

Maintain a strict inspection of the in the wall skimmer housing to see that water is not leaking at the gasket. If the skimmer was not removed, water should not be allowed to build up in the skimmer housing as the water will freeze and crack the housing and cause possible damage to the wall.

Consult your pool dealer for the proper winter chemicals for quick spring start up.

During the course of the winter, the liner may pull out of its coping due to no fault of the **MANUFACTURER OR THE POOL INSTALLER**. Due to freezing and thawing of the ground, the ground sometimes sinks and the liner with the weight of ice or water will sink also, thusly pulling the liner out of its coping. **DO NOT PERMIT ICE SKATING**, as this may damage the liner.

IF THESE INSTRUCTIONS ARE NOT FOLLOWED CAREFULLY, YOUR WARRANTY WILL BE VOIDED WITH POSSIBLE PERMANENT DAMAGE TO YOUR POOL.

RULES FOR SAFE POOL USE

You have purchased a family pool of superior quality and durability. Your Aqua Leader warranty guarantees you years of enjoyment under normal use and care. (See warranty for complete details and conditions.) As an owner, you are responsible for the protection of those who swim in your pool. We urge you to follow these basic safety rules:

Safety equipment

- A light and strong pole not less than 12 feet (3.66m) long with blunt ends located in close proximity of the pool.
- A life ring preserver with a throwing rope attached to it.
- Emergency numbers near the pool and on the telephone nearest to the pool. (Police, fire and rescue unit, physician, ambulance, and hospital).

Pool owner safety rules

- Never dive or jump from the top rail of the pool. Your pool is designed for swimming and wading, not jumping or diving.
- Do not walk, sit or stand up on the pool top rails.
- Never allow children to swim without supervision.
- Never swim alone.
- Always remove the pool ladder, or raise the safety ladder when the pool is not in use.
- If you eat, wait at least one hour before you go swimming.
- Do not allow family pets in the pool.
- Do not allow any horseplay or roughness around the pool.
- Do not throw objects (e.g.: sticks, stones) into the pool.
- Keep all electrical appliances away from the pool.
- Keep all glass or metal objects away from the pool.
- To avoid the spread of bacteria or infection do not allow sick people in the pool.
- Do not swim when there are risks of lightning. Thunderstorms may endanger swimmers.

Unfortunately, many pool owners wait until an accident has occurred before setting guidelines. Establish your rules before the first person steps into the pool. If possible, make sure that everyone using the pool has some basic training in water safety and basic rescue methods. Some associations publish booklets about "basic rescue and water safety" that provides information on assisting a swimmer in difficulty, artificial respiration, first aid for swimmers, family water safety, and several other subjects. We strongly recommend you get one.

AQUA LEADER reserves the right to modify or alter any construction specifications without notice.

Manufactured by AQUA LEADER, 2370 de la Province Longueuil, QC,
J4G 1G1

Printed in Canada

©2004