

# TurboTwister Ê

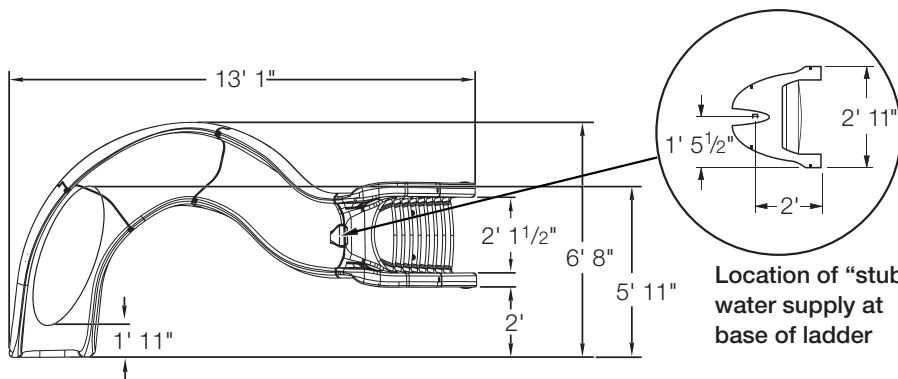


The TurboTwister slide gives you water park thrills right in your own backyard!

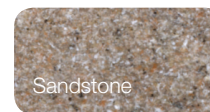
- Over 8 feet tall at the top of the handrails!
- Assembles in under 1 hour (not including plumbing or deck-mounting)—fastest large slide installation in the industry!
- High-volume GrandRapids™ water delivery system
- Plumb through return line, or connect to a garden hose.
- Available in right and left curves.
- Enclosed ladder and new molded handrail design for maximum safety.
- Sturdy rotomolded construction – for strength and durability.
- Accommodates sliders up to 275 pounds.
- This slide fully complies with the U.S. Consumer Product Safety Commission’s Safety Standard for Swimming Pool Slides (16 C.F.R. 1207)
- Commercial or residential use
- Mounts on deck — no anchors required

Model No.	Shipping Wt.	L	W	H
688-209-58AB	350 lbs.	56"	40"	107"

Key to Order: Example: 688-209-58123 (Right Curve Sandstone)  
 A = curve: 1=right, 2=left  
 B = color: 23=sandstone, 24=gray granite



Location of “stub” water supply at base of ladder



Actual product colors may vary

All installations must comply with all applicable local and national codes and installation must be completed in accordance with S.R.Smith installation instructions.

Children under 48" must be supervised at all times when using this slide.

