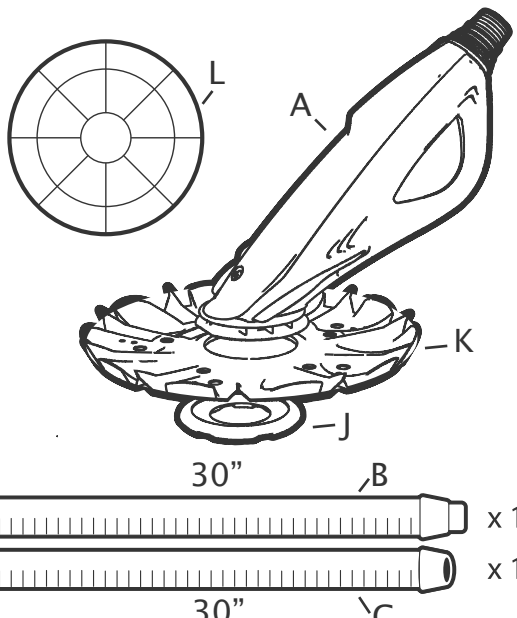
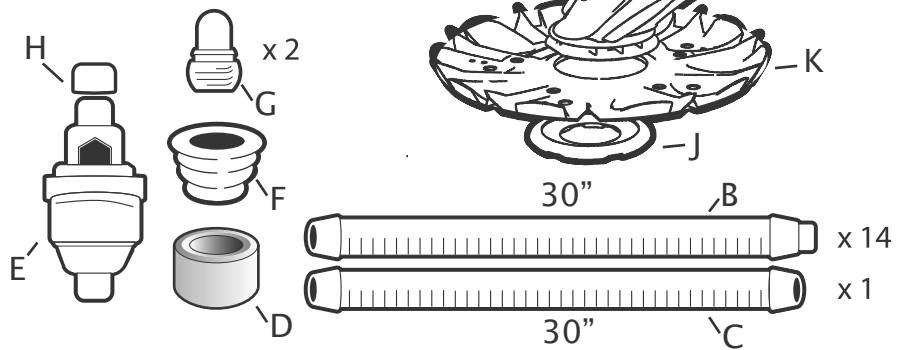


HAYWARD KingRay™



⚠ WARNING

Do not let children use or play with the cleaner. Do not allow swimmers in the pool during cleaner operation.
Ne laissez pas un enfant utiliser ou jouer avec l'aspirateur. Il est interdit de se baigner lorsque l'aspirateur fonctionne.



STEP 1A

Hose length should reach farthest point in pool plus 2 additional hose sections.
Le tuyau doit atteindre le point le plus éloigné du bassin. Ajoutez à cette longueur 2 sections de tuyau supplémentaires.

In cold water (60 degrees or less), vacuum will need to be increased to overcome reduced flexibility of the hose.
lorsque l'eau est froide (moins de 60°F), l'aspiration doit être augmentée pour compenser la perte de flexibilité du tuyau.

STEP 1B

First check the vacuum. Turn pump OFF. Fill hose with water (step 6), connect to skimmer or vacuum fitting (steps 4A, 5A and 7A or step 7C) and end with Flow Regulator (E) and lid (H) as shown below. Turn pump ON. Watch opening in Flow Regulator. Once vacuum is correct remove the Regulator and store for use in the future. If vacuum is too high and there is no valve on the skimmer to adjust, then the Regulator can be used between the 2nd and 3rd hoses as a bypass valve which would provide the correct vacuum to the cleaner.
Commencez par vérifier l'aspiration. Coupez le moteur en marche et observez l'ouverture du régulateur de pression.

1

Vacuum too strong. See troubleshooting for solutions.
Aspiration trop forte. Voir solutions Page 4.

2

Perfect vacuum strength. Aspiration idéale.

3

Vacuum too weak. See troubleshooting for solutions.
Aspiration trop faible. Voir solutions Page 4.

→
to skimmer or vacuum fitting
Vers le skimmer ou la prise-balai

STEP 1C

Assemble Cleaner
Assemblez l'aspirateur

Include Halo here
Placez l'anneau pare-échelle ici

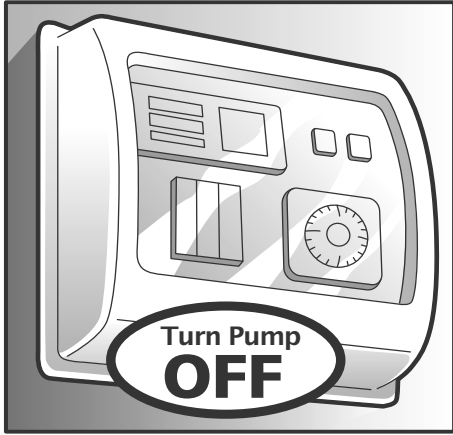
STEP 2

Connect hose to cleaner
Connectez le tuyau à l'aspirateur

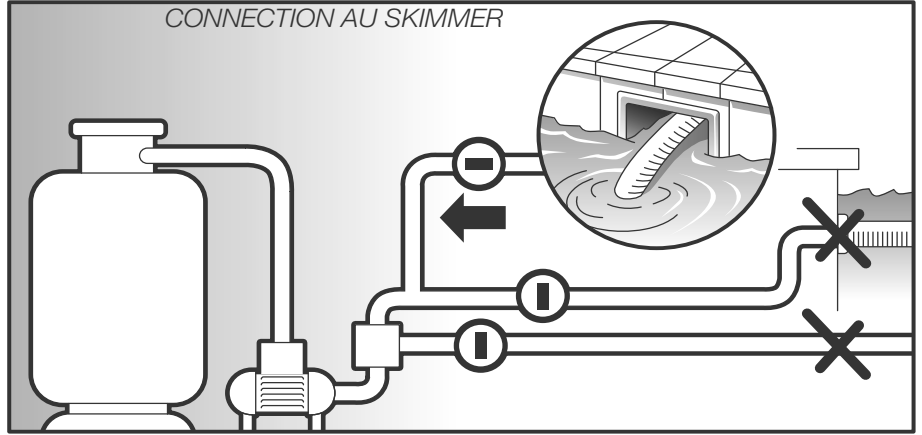
Install weight between two hoses
Installez le contrepois entre deux sections (si nécessaire)

(Weight may not be necessary)

STEP 3



OPTION 1 - SKIMMER CONNECTION

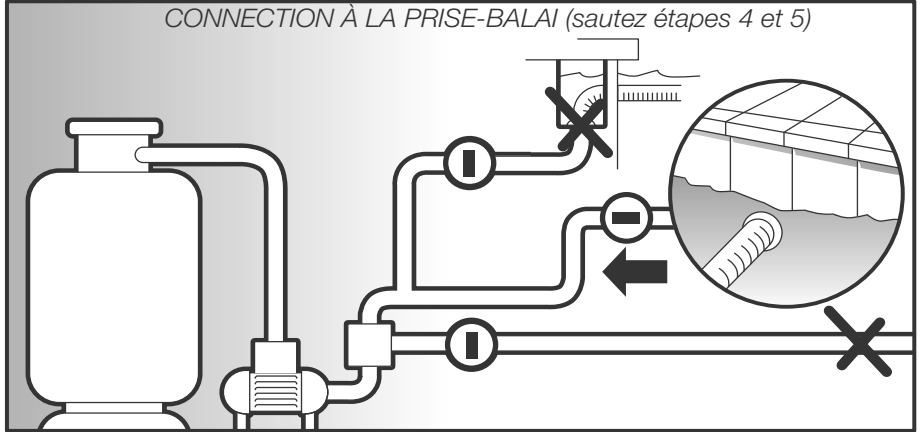


⚠ WARNING

Valves closed for the cleaning operations should be re-opened after completion of the cleaning process.

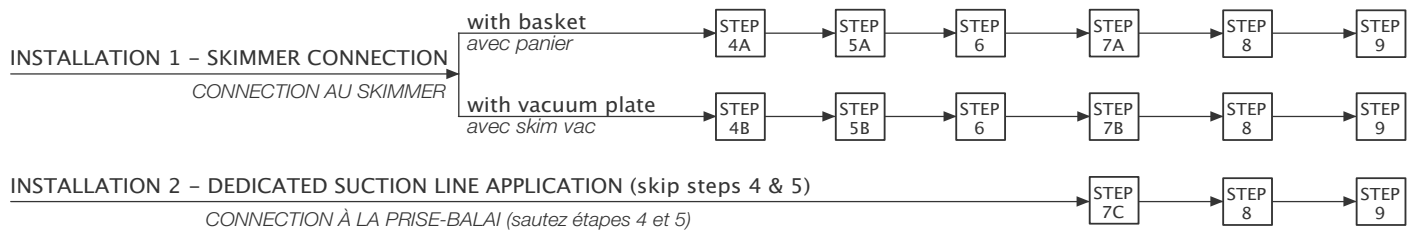
Les vannes fermés avant le nettoyage devront être réouvertes à la fin des opérations de nettoyage.

OPTION 2 - VACUUM FITTING CONNECTION (skip steps 4 & 5)



STEP 4 TO 9 INSTALLATION FLOW CHART

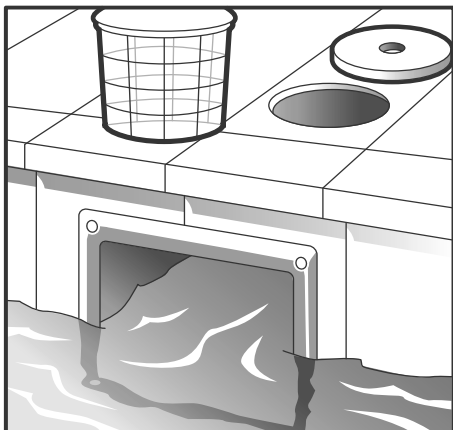
SCHÉMA D'INSTALLATION DES ÉTAPES 4 À 9



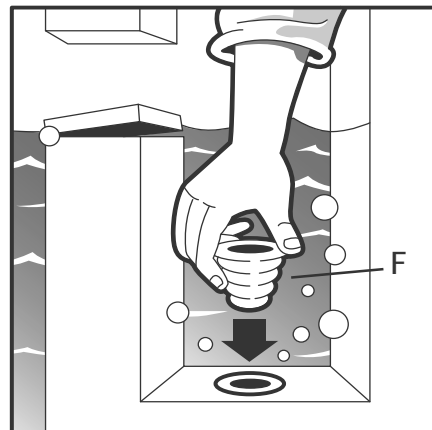
When using a dedicated suction line, it is advised to use an IAPMO approved fitting such as the Hayward Vac Lok fitting, part number, W400AWHP. The fitting is a safety mechanism designed with a spring action cover to hold the hose in place and to close the suction fitting automatically when not in use.

En utilisant la prise balai, il est recommandé d'utiliser un connecteur IAPMO comme le connecteur Hayward Vac Lok n° W400AWHP.

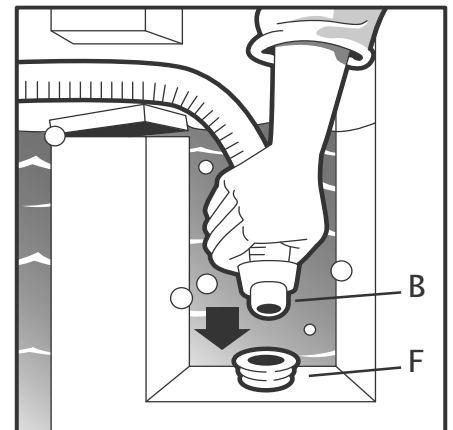
STEP 4A



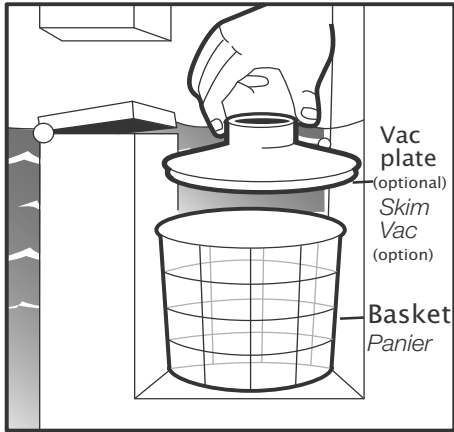
STEP 5A



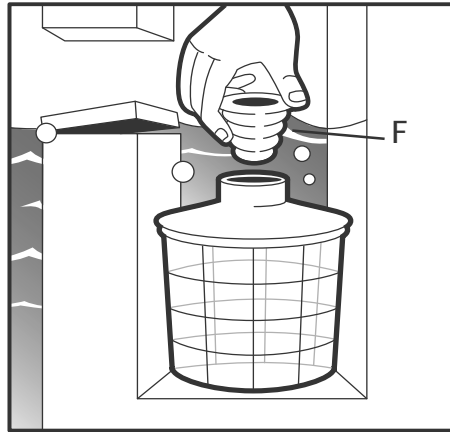
STEP 7A



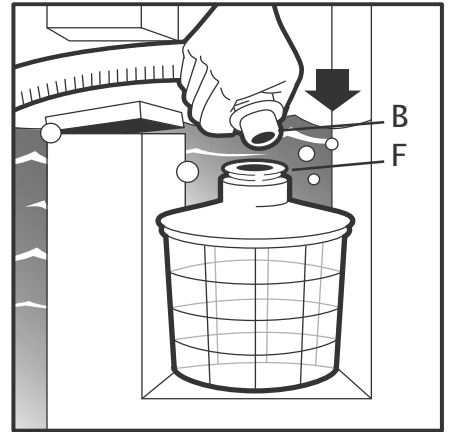
STEP 4B



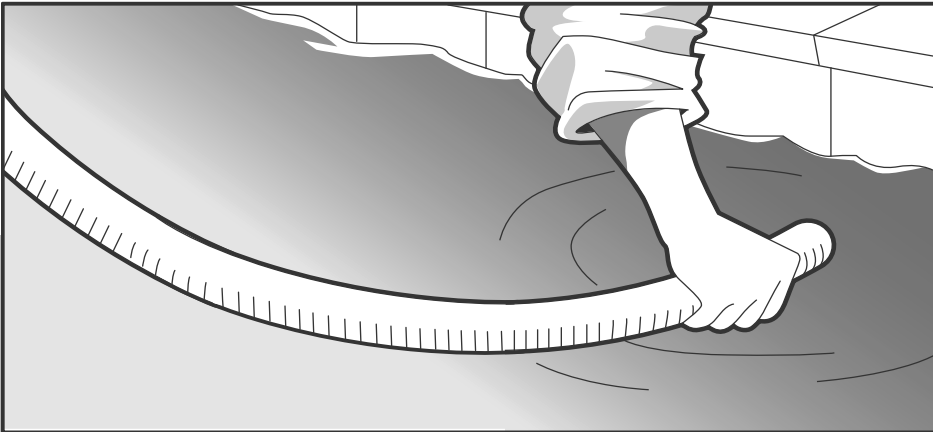
STEP 5B



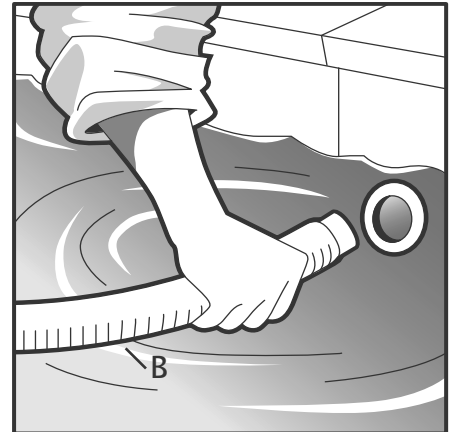
STEP 7B



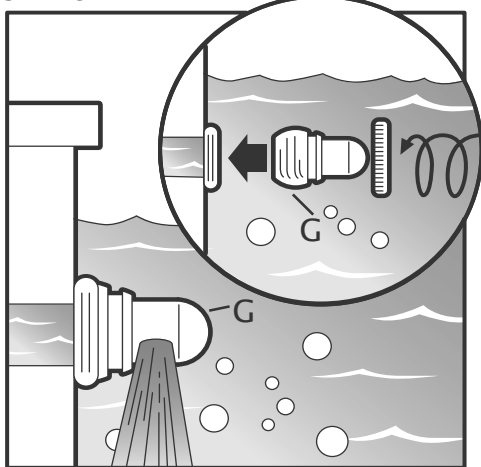
STEP 6



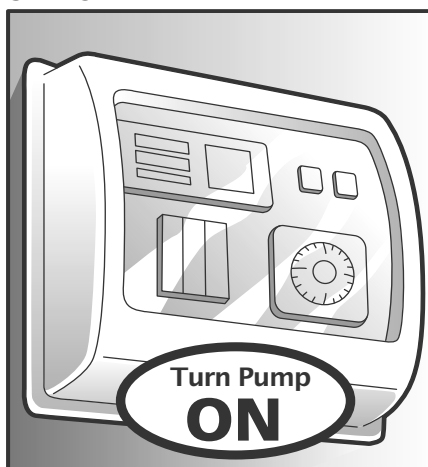
STEP 7C



STEP 8



STEP 9



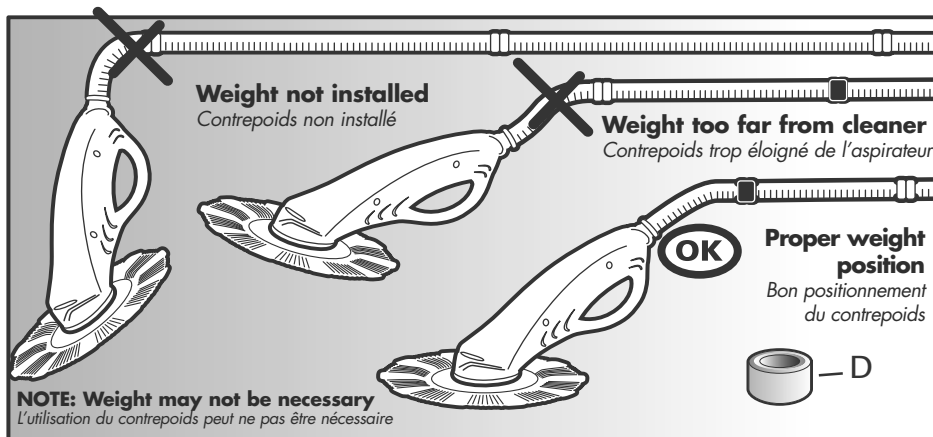
NOTE: to maximize cleaning coverage, replace existing eyeball with the one supplied (G).
 Pour une efficacité optimale, remplacez le régulateur de débit par celui livré avec l'aspirateur (G).

IMPORTANT FOR VINYL POOL OWNERS

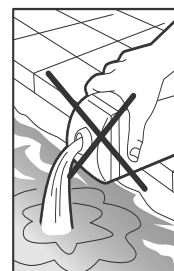
Vinyl liners are subject to deterioration or damage due to age, the effects of chemicals, corrosion or failure of the supporting walls; as well as improper installation. Before installing your King Ray pool vacuum, inspect the interior of your pool carefully. If your vinyl liner is brittle or has stones, roots, wrinkles, metal corrosion in contact with the underside of the liner, or has damage to the base material or supporting walls, do not install the King Ray pool vacuum before having a qualified pool professional perform the necessary repairs or modifications. Hayward will not be responsible for liner damage caused by a cleaner out of warranty or one that has been used in a pool having an aged or deteriorated liner. You are responsible for liner damage if you use the King Ray pool vacuum under these conditions.

POSSEURS DE PISCINE AVEC LINER

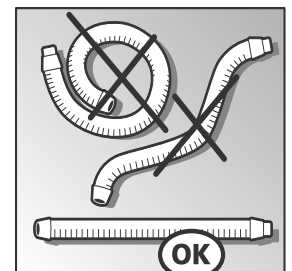
La détérioration des liners est due au temps, à l'utilisation de produits chimiques, à la corrosion ou aux problèmes liés aux murs soutenant la piscine ainsi qu'à une mauvaise installation. Avant l'installation de l'aspirateur King Ray, contrôlez l'intérieur de votre piscine soigneusement. Si votre liner est fragile, recouvre des cailloux ou des racines, présente des signes de corrosion ou de détérioration de la structure supportant la piscine, n'installez pas l'aspirateur avant qu'un piscinier qualifié ait effectué les réparations ou changements nécessaires. Hayward ne sera pas responsable des dommages causés au liner par un aspirateur hors garantie ou un aspirateur qui a été utilisé dans une piscine ayant un liner ancien ou détérioré. Vous êtes seul responsable des dommages si vous utilisez le King Ray dans ces conditions.



NOTE: Weight may not be necessary
 L'utilisation du contrepois peut ne pas être nécessaire



Do not add chemicals with cleaner in pool.
 N'effectuez pas de traitement chimique lorsque l'aspirateur est dans l'eau.



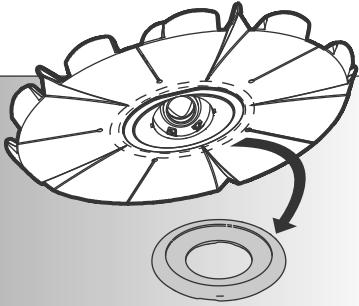
Store hose in straight position.
 Stockez les sections de tuyau à plat et droits.

To register your King Ray cleaner in our database, go to www.haywardnet.com
 Pour enregistrer votre aspirateur King Ray dans notre base de données, rendez-vous sur www.haywardnet.com

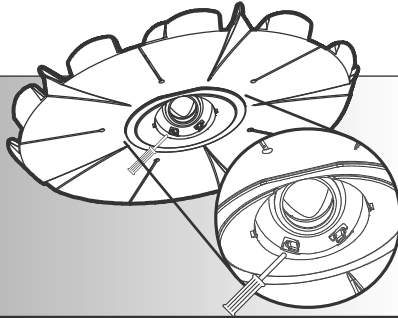
Replacing the Unifram

Remplacement de la membrane

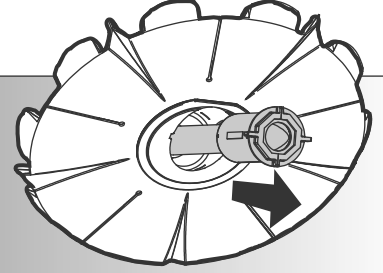
Remove the Foot Pad (J)
Déboîter la semelle complètement (J)



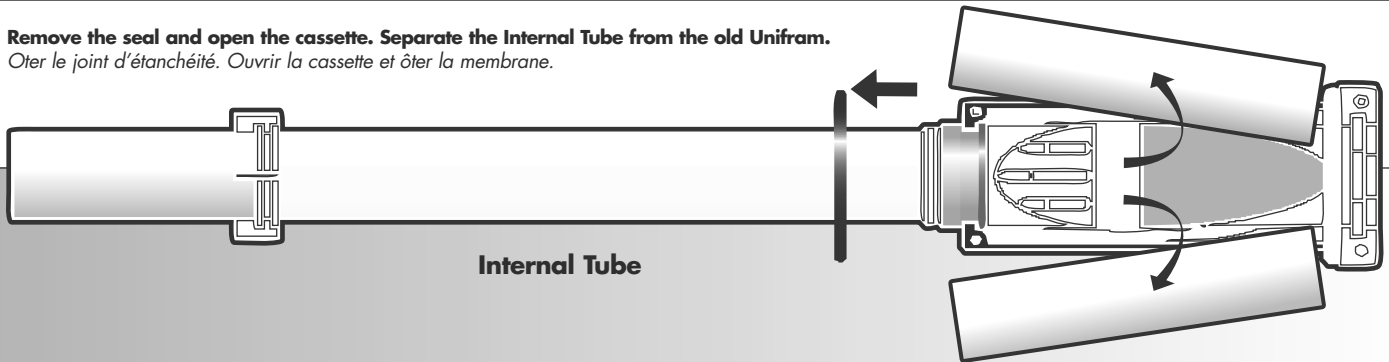
With a screwdriver, remove the Cassette Retainer.
A l'aide d'un tournevis faire levier sur la patte de gauche pour la déloger.



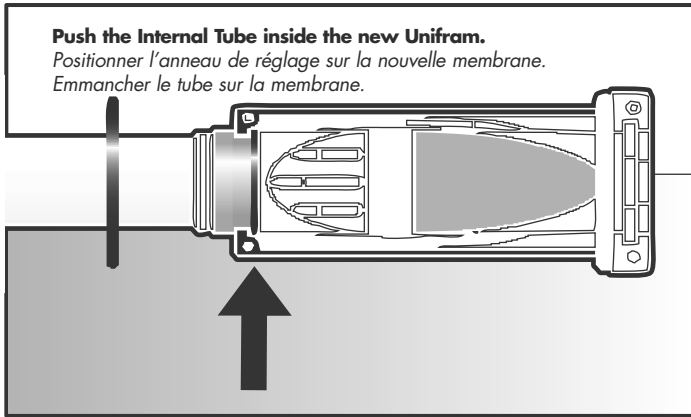
Pull the Cassette out.
Tirer la trappe vers l'extérieur. Déboîter la cassette et le tube.



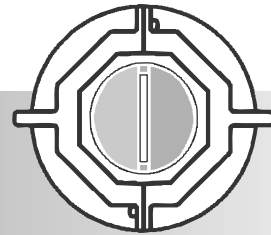
Remove the seal and open the cassette. Separate the Internal Tube from the old Unifram.
Oter le joint d'étanchéité. Ouvrir la cassette et ôter la membrane.



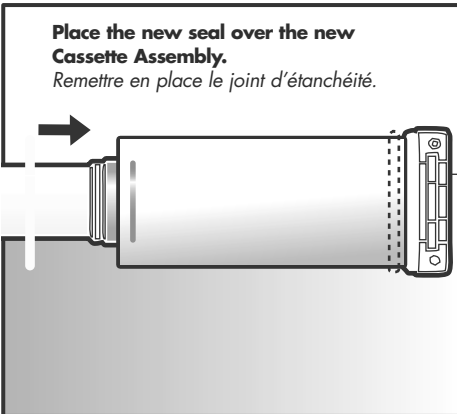
Push the Internal Tube inside the new Unifram.
Positionner l'anneau de réglage sur la nouvelle membrane. Emmancher le tube sur la membrane.



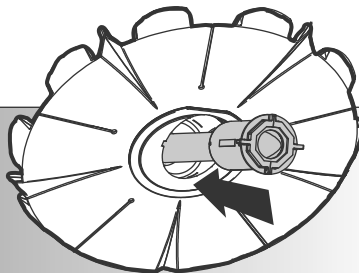
Close the new Cassette Assembly around the Internal Tube and Unifram.
Positionner la membrane dans une demi cassette puis fermer avec l'autre demi cassette.



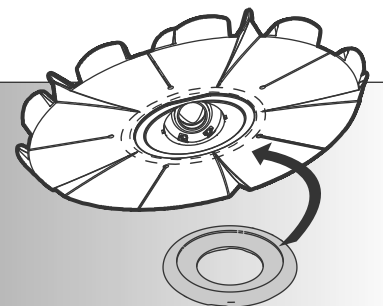
Place the new seal over the new Cassette Assembly.
Remettre en place le joint d'étanchéité.



Put Cassette Assembly back in cleaner.
Enfiler la cassette et le tube.



Reinstall the Cassette Retainer and Foot Pad.
Remettre en place la trappe puis la semelle.



TROUBLE SHOOTING GUIDE

King Ray automatic pool cleaners are designed to work in virtually all types and sizes of pools. These great products are easy to install (please read the instructions) and will provide you with years of an “extra hand” in cleaning the pool. There are times when the cleaner will not “act right”.

When this happens, check the following immediately and you will solve the majority of the working issues that could exist:

- > **Pump is On:** The cleaner will not operate if the pump is not on. We know this sounds strange, but it does happen!
- > **Proper Vacuum to Cleaner:** Re-install your vacuum gauge and check to insure it is operating in the proper range (see Page 1 of instructions).
- > **Are the main drains and/or skimmer valves closed?** If so, open the valve that cleaner is operating out of. Use the main drain to balance vacuum IF it is plumbed to same line as skimmer.
- > **Pressure Gauge of your filter:** If it is 8 psi or higher than the normal starting pressure, clean it following the filter manufacturer’s instructions.
- > **Pump Strainer Basket:** Make sure they are free from debris.
- > **Cleaner and cleaner hose are free of Debris:** Inspect and clean if necessary.
- > **Have you measured and do you have the proper length of hose necessary for your pool size?** Purchase more hose or remove hose as is necessary to meet the guidelines illustrated on Page 1 of the instructions.

Once you have done all this, see trouble shooting tips for proper cleaner operation:

Problem	Solution
Cleaner will not work—vacuum too high	<ul style="list-style-type: none">• Use system valves to adjust vacuum.• Add bypass valve to cleaning system• Open main drain or other skimmer (if they are plumbed jointly with the line being utilized to operate cleaner) to reduce vacuum
Cleaner will not work—Vacuum too low	<ul style="list-style-type: none">• Check Filter pressure• Check for obstructions or debris in both the cleaner and the cleaner hose• Check Unifram for pinholes• Check for air leak in cleaner hoses—especially in hose connections to each other• Check skimmer/skim Vac Plate or Dedicated suction line connection for proper engagement
Cleaner is tipping too far forward or backwards	<ul style="list-style-type: none">• Remove or reposition weight.• Adjust weight to different position, either closer to or further away from the cleaner’s head• Adjust number of hose lengths being used
Cleaner falls on its side	<ul style="list-style-type: none">• Check to insure swivel on the top of the cleaner is free moving• Remove or reposition weight.

LIMITED WARRANTY

Conditions & exclusions :

1. This limited warranty is for the replacement of defective parts only and does not cover labor charges including, but not limited to, charge incurred for installation of replacement parts or additional fees which may be imposed by the dealer of servicing agent.
2. All warranty replacement parts are under warranty from the date of purchase of the original cleaner and not from the date of replacement. All parts purchased thereafter are under warranty for one full year from the date of purchase.
3. This limited warranty against wear does not include replacement of parts which become discolored due to exposure to sunlight or chemicals, or parts which, even if worn, do not affect performance of the cleaner. Nicks, scratches, fading discoloration, etc. are cosmetic conditions that do not necessarily affect mechanical performance. Both manufacturer and dealer reserve the right to deny any and all warranty claims made for worn parts if manufacturer or dealer determine that the wear does not negatively affect mechanical performance of the cleaner.
4. The cleaner is designed to function in a properly designed, constructed and maintained pool. This limited warranty does not extend in the circumstances where the pool's design, construction or maintenance is defective or substandard.
5. Deterioration, discoloration or brittleness of pool plaster and vinyl liners can be caused by age, improper pool chemistry, improper installation, or other factors. Customer hereby disclaims any and all claims, and releases Manufacturer from any and all claims for damages to any pool plaster or vinyl liner in Customer's pool by reason of the use and / or operation of the cleaner. Customer represents and agrees that claims which it may assert against manufacturer shall be limited to those which may be asserted under the foregoing limited warranty.
6. The cleaner is designed for the use on inground pools and its warranty is limited to this use. If cleaner is used in any other application, customer understands that this is a misuse of the product and will void all warranty of the cleaner. Further, customer hereby releases manufacturer from any and all claims stemming from the misuse of the cleaner.
7. Under no circumstances shall manufacturer be liable for any loss or damage, whether direct, consequential or incidental, arising out of the use or inability to use the cleaner in customer's pool.
8. This limited warranty does not apply to any injury, loss, damage, defect or malfunction of the cleaner or failure to function resulting from any failure to operate or maintain the cleaner in accordance with the directions contained in the installation and operation manual or operating instructions provided by Hayward pool products; or any injury, loss, damage, defect or malfunction or failure to function resulting from any accident, acts of God, alterations in the cleaner by anyone other than manufacturer including but not limited to such damages or injuries to parts resulting from improper installation or damage to pump parts resulting from running the pump dry (e.g., interruption in or inadequate supply of water to internal pump parts due to loss of prime or obstruction in line or otherwise); or damage, defect or malfunction resulting from defects in, failure or malfunction of, or negligence, abuse, or misuse with respect to equipment other than the cleaner; or any damage or loss of any nature whatsoever and personal injury caused due to the presence of a foreign object in or about the pool.
9. This limited warranty is valid and enforceable only on cleaners made by Hayward pool products.
10. This limited warranty is applicable only if the cleaner is purchased from a Hayward pool products dealer.
11. This limited warranty shall apply only to customer as an original purchaser of the cleaner from a King Ray Pool Vacuum dealer and shall not apply to any subsequent purchaser, assignee or other recipients of the cleaner from customer.
12. No dealer, distributor or other similar person has any authority to make any warranties or representations concerning Hayward pool products, its cleaner or to extend this warranty beyond the express terms contained herein. Manufacturer assumes no responsibility for any warranties beyond the express terms contained in this limited warranty. This limited warranty and customer releases and holds manufacturer harmless from any claims stemming from any unauthorized representations.
13. This limited warranty shall be void if customer modifies the cleaner in any respect including but not limited to the use of parts other than genuine King Ray Pool Vacuum parts.
14. The foregoing limited warranty gives customer specific legal rights and accordingly, some of the listed conditions and exclusions may not apply to customers living in certain states.
15. These warranties set forth herein are in lieu of any other warranties, expressed or implied, including the warranties of merchantability or fitness. Any such implied warranty imposed by state consumer law is limited in duration to one (1) year from date of purchase.
16. Customer represents and agrees that any claims which it may assert against manufacturer shall be limited to those which may be asserted under the foregoing limited warranty.

CONDICIONES DE GARANTIA

6. L'aspirateur est destiné à être utilisé en tant qu'appareil automatique de nettoyage pour piscines et cette garantie est strictement limitée à cet usage. En cas de mauvaise utilisation du produit la garantie s'annulera automatiquement.
7. En aucun cas le fabriquant ne peut être tenu pour responsable de toute perte, dommage direct, indirect ou accidentel survenant en dehors de l'utilisation habituelle de l'aspirateur pour laquelle il est conçu.
8. La garantie cesse en cas de mauvaise utilisation de l'appareil due au non respect des conditions d'installation précisées dans le manuel fourni avec l'aspirateur automatique, ou à une négligence lors de l'utilisation.
9. Cette garantie s'applique aux seuls matériels fabriqués par Hayward pool products.
10. Cette garantie est valable seulement si le King Ray Pool Vacuum est acheté chez un revendeur agréé.
11. Cette garantie n'est pas transmissible.
12. Aucun revendeur n'est autorisé à modifier ou prolonger les conditions de garantie sans autorisation de Hayward pool products.
13. Cette garantie sera annulée si le client apporte une modification quelconque au King Ray Pool Vacuum.
14. Cette garantie prenant cet effet lorsque le certificat de garantie a été complété et signé dans les 14 jours suivant l'achat de l'appareil.
15. Cette garantie est la seule valable pour le King Ray Pool Vacuum.
16. Toute réclamation est limitée aux conditions de garantie évoquées dans les articles ci-dessus.

CONDICIONES DE GARANTIA

El fabricante garantiza este aspirador contra todo vicio de fabricación durante un período de 1 año a partir de la fecha de fabricación y contra todo desgaste anormal afectando el funcionamiento del aparato durante un período de un año a partir de la fecha de compra. Estas garantías llevan las condiciones y las limitaciones siguientes

Condiciones y limitaciones :

1. Esta garantía esta limitada al reemplazo de las piezas defectuosas y no cubre los gastos de la puesta en obra de las piezas defectuosas.
2. Las piezas defectuosas quedán garantizadas un año a partir de la fecha de compra y la sustitución de piezas no proroga la garantía general.
3. Esta garantía no cubre los daños que resultan de una decoloración debida a la exposición al sol, a productos quimicos, o al empleo de accesorios que podrían afectar el funcionamiento del aparato. Los cortes, rayaduras y decoloraciones no afectan en ningún caso el funcionamiento mecánico del limpiafondo. El vendedor y Hayward pool products se reservan el derecho de rechazar todo cambio de material en este caso.
4. El limpiafondo esta destinado a funcionar en una piscina estándar y debitamente mantenida. Esta garantía caduca en caso de utilización del King Ray Pool Vacuum en piscinas cuya construccion es defectuosa o fuera de normas.
5. La utilización inapropiada de productos quimicos y / ó una instalación defectuosa pueden deteriorar, decolorar y / ó crear fisuras en las paredes y en el fondo de ciertas piscinas. Estos daños no pueden, en ningún caso, ser imputables al uso y / ó funcionamiento del aparato que no puede en ningún caso, ser considerado como el responsable de estas degradaciones.
6. El limpiafondo esta destinado a ser utilizado como un aparato automático de limpieza para piscinas y esta garantía se limita estrictamente a este uso. En caso de mala utilización del producto, la garantía será automáticamente anulada.
7. En ningún caso el fabricante será considerado como responsable de la perdida, daño directo, indirecto o accidental que pudieran surgir fuera del uso normal del aspiradore para el cual ha sido concebido.
8. La garantía caduca en caso de mala utilización del aparato debida al no respecto de las condiciones de instalación que figuran en el presente manual, ó a otra negligencia en el transcurso de su utilización.
9. Esta garantía se aplica solamente a los materiales Hayward pool products.
10. Esta garantía es valida únicamente si el King Ray Pool Vacuum ha sido comprado en una tienda acreditada.
11. Esta garantía no es transferible.
12. Ningún revendedor está autorizado a modificar o a prorogar las condiciones de garantía sin la autorización por escrito de Hayward pool products.
13. Esta garantía se anulará si el cliente aporta una modificación cualquiera al King Ray Pool Vacuum.
14. Esta garantía entrará en vigor cuando el certificado de garantía habra sido llenado y firmado dentro de los 14 dias siguientes la compra del aparato.
15. Esta garantía es la única válida para el King Ray Pool Vacuum.
16. Toda reclamación está limitada a las condiciones de garantía expuestas en los articulos anteriormente mencionados

To register your King Ray cleaner in our database, go to www.haywardnet.com

CONDITIONS DE GARANTIE

Le fabricant garantit cet aspirateur contre tout vice de fabrication pendant une période de 1 an à compter de la date d'achat, et contre toute usure qui affecterait le fonctionnement de l'aspirateur pendant une période d'un an à compter de la date d'achat. Ces garanties répondent aux conditions et limitations suivantes :

Conditions et limitations :

1. Cette garantie s'applique au remplacement des pièces défectueuses et non à l'emploi d'une éventuelle main d'œuvre ou, aux frais de mise en œuvre des pièces détachées défectueuses.
2. Les pièces défectueuses sont sous garantie un an à partir de la date d'achat et le remplacement des pièces ne prolonge jamais cette garantie.
3. Cette garantie ne couvre les dommages résultant d'une décoloration due à l'exposition au soleil, à des produits chimiques, ou à l'emploi d'accessoires qui affecteraient le fonctionnement de l'appareil. Les coupures, les rayures et les décolorations n'affectent en aucun cas le fonctionnement mécanique de l'aspirateur. Le vendeur et Hayward pool products se réservent le droit de refuser tout échange de matériel dans ce cas.
4. L'aspirateur est destiné à fonctionner dans une piscine standard et entretenue convenablement. Cette garantie cesse dans le cas d'utilisation du King Ray Pool Vacuum dans des piscines dont la construction est défectueuse ou hors norme.
5. La détérioration, la décoloration, les fissures de la piscine et le mauvais état du liner peuvent être survenus dans le temps, par une utilisation de produits chimiques inappropriés, d'une mauvaise installation ou d'autres facteurs de ce type. La garantie ne couvre pas les dégradations que l'aspirateur pourrait subir dans ces cas.

KING RAY PART LIST

A - Main Body Assembly	#DCX190	J - Foot Pad	#DCX150
B - Connector Hose M/F	#DCX176	K - Disc (Seal)	#DCX152
C - Leader Hose F/F	#DCX178	L - Halo	#DCX110
D - Hose Weight	#DCX174	H - Bypass Lid	#DCX182
E - Flow Regulator	#DCX180	Not Shown - Cassette Assembly	#DCX105
F - Hose Adapter	#DCX172	Not Shown - Cassette Retainer	#DCX106
G - Eyeball Diverter	#DCX170	Not Shown - Internal Tube	#DCX108