

OWNER'S MANUAL



 **Polaris360**

IMPORTANT INFORMATION

SERIAL NUMBER

Important Information

- Solar heating systems, ozone generators, and other air inducing equipment may cause air flow through the cleaner, adversely affecting cleaner balance and performance. Plumb the dedicated cleaner line upstream of these components.
- Highly chlorinated water can cause maintenance problems. Avoid running Polaris while chlorinating.
- Always disconnect the Polaris from the pool wall when cleaning or backwashing the pool filter.
- After cleaning or backwashing, let the filtration system run for at least five minutes before re-connecting the Polaris.
- New plumbing lines should be flushed out before installing the Polaris.
- The Polaris should not be used to remove plaster dust in new pools.
- Always remove the Polaris before swimmers enter the pool.
- Except when checking the wheel RPM, do not handle the Polaris while it is operating.
- Always remove the Polaris from the pool before chemical shock treatments.

For customer service or support:

- Please mail Warranty Card immediately.
- For on-line support: www.polarispool.com
- To contact Polaris:

US and Canada

Customer Service
2620 Commerce Way
Vista, CA 92881-8438
1-800-822-7933

Polaris Vac-Sweep® 360 Limited Warranty

This one year limited warranty is extended to the original consumer purchaser of this Polaris Vac-Sweep 360 Automatic Pool Cleaner manufactured by Polaris Pool Systems, Inc., from date of manufacture of the unit as established by the serial number, or one year from date of purchase with proof of purchase, whichever is later. Polaris warrants this product, including all parts and components thereof, to be free of defects in material and workmanship. Normal replacement items such as bags, tires, sweep hoses or sweep hose scrubbers which have been worn out by use or improper installation are not covered by this warranty. The Polaris 360 frame is warranted for a period of ten years.

This limited warranty does not apply if the failure is caused or contributed to by any of the following: improper handling, improper usage, improper storage, winter freezing, abuse, improper installation, removal of the UWF filter screen, unsuitable application of the unit, improper maintenance, lack of reasonable and necessary maintenance, damage in transit or during installation, or damage from repairs/alterations made or attempted by anyone other than Polaris or one of its Authorized Service Centers.

Authorization to return a unit or part to the plant of manufacture must be obtained from the Polaris Customer Service Department. Check with your dealer for the local procedure before exercising this warranty. If further directions or instructions should be required, contact the Customer Service Department at 1-800-VAC-SWEEP (USA and Canada only) or (760) 599-9600. Be sure to insure the shipment against loss or damage in transit.

This limited warranty is valid only in the United States of America, Canada and Australia, and it does not apply to Polaris Vac-Sweep 360 Automatic Swimming Pool Cleaners sold or installed in any other country. Polaris Vac-Sweep 360 Automatic Pool Cleaners sold in the United Kingdom are warranted for a period of two years from date of invoicing to the first user.

WARNING: USE OF POLARIS 360 IN A VINYL LINER POOL

Certain vinyl liner patterns are particularly susceptible to rapid surface wear or pattern removal caused by objects coming into contact with the vinyl surface, including pool brushes, pool toys, floats, fountains, chlorine dispensers, and automatic pool cleaners. Some vinyl liner patterns can be seriously scratched or abraded simply by rubbing the surface with a pool brush. Ink from the pattern can also rub off during the installation process or when it comes into contact with objects in the pool. Polaris is not responsible for, and the Limited Warranty does not cover, pattern removal, abrasion or markings on vinyl liners.

U.S. Patents: 4,589,986; 4,558,479. Foreign Patents: 1,259,459; 1,259,509; 3,502,503; 2,153,208; 1,690,060; 85/0648.
Unique product shape is a registered trademark.

Introduction

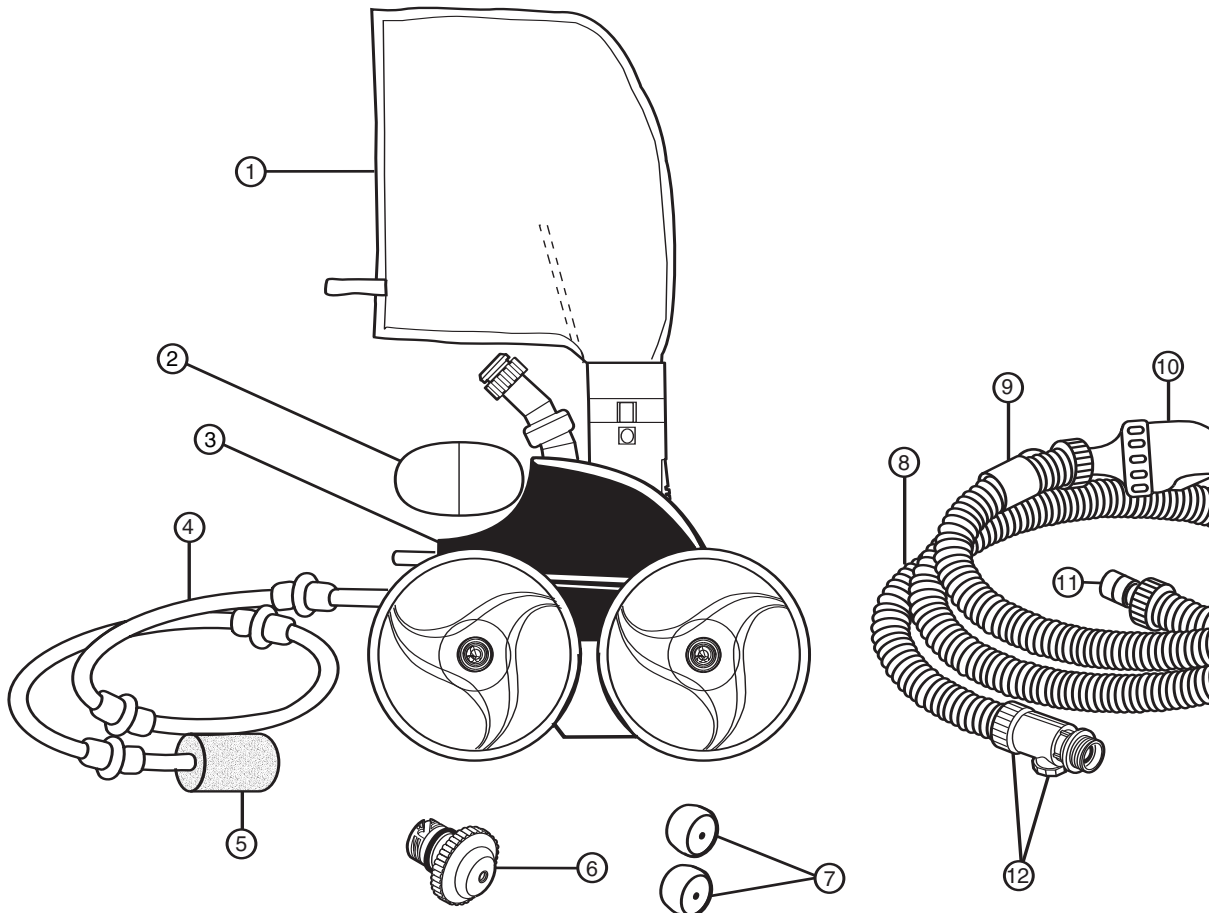
Congratulations on the purchase of your new automatic pool cleaner, and thank you for choosing Polaris. The Polaris Vac-Sweep® 360 is designed to give you years of dependable and efficient service.

Like most mechanical devices, the Polaris requires periodic adjustments, routine maintenance, and the replacement of certain hardworking parts. Be sure to have the Polaris checked occasionally by your local Polaris dealer or authorized service center.

Always insist on genuine Polaris replacement parts. Non-Polaris parts are not made to our specifications. They may have an adverse effect on the operation of your Polaris or may even damage it.

Polaris 360 Complete Cleaner

- | | |
|------------------------|--|
| 1. All-Purpose Bag | 7. Eyeball Regulators |
| 2. Head Float | 8. Feed Hose |
| 3. Cleaner Body | 9. Hose Floats |
| 4. Sweep Hose | 10. Back-up Valve |
| 5. Sweep Hose Scrubber | 11. Pressure Tester |
| 6. Replacement Eyeball | 12. Quick Disconnect with Universal Wall Fitting |



Quick Installation Instructions

Four quick steps to install and get maximum performance from the Polaris 360:

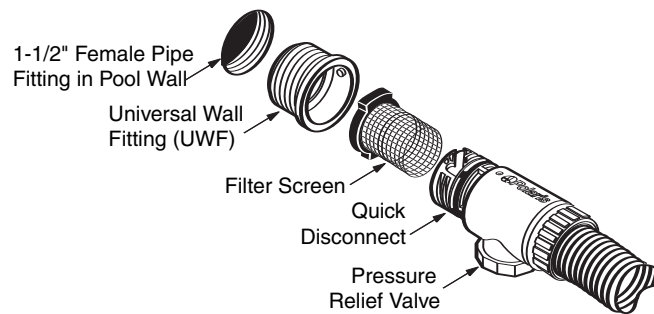
- Install the Universal Wall Fitting (UWF) with Quick Disconnect and Eyeball Regulators
- Test and adjust water pressure
- Adjust feed hose to fit pool length
- Check for proper wheel RPM (revolutions per minute)

1

Install the Universal Wall Fitting

Installs in minutes on pools with a dedicated cleaner return line and a threaded 1-1/2" female pipe fitting.

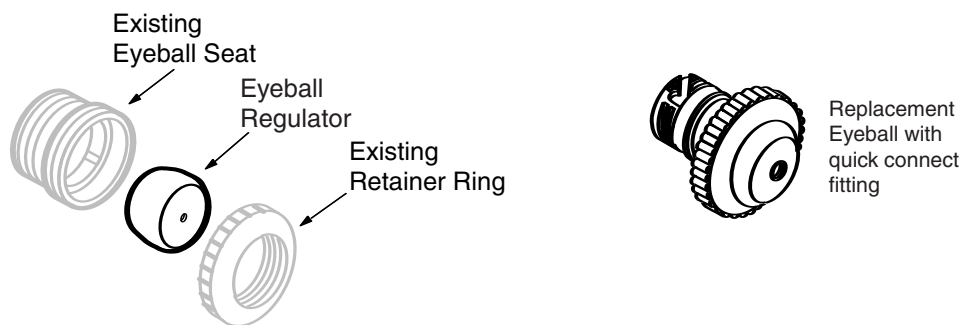
1. Turn on the filtration pump and flush out the plumbing line. Turn pump off.
2. Remove the UWF from the Quick Disconnect and screw it into the return opening.
3. Turn the Quick Disconnect clockwise into the UWF and pull away to secure.



Install Eyeball Regulators

If the pool has more than one return line, install the Eyeball Regulators to ensure the pool's water pressure is high enough to operate the Polaris 360.

Use the Replacement Eyeball with a Quick Disconnect fitting to restore proper water circulation when the Polaris 360 is removed from the pool.



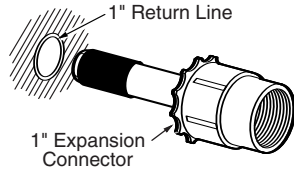
If the Universal Wall Fitting and Eyeball Regulators are successfully installed, SKIP to Step 2. Otherwise, see Installing Other Pool Connections.

Installing Other Pool Connections

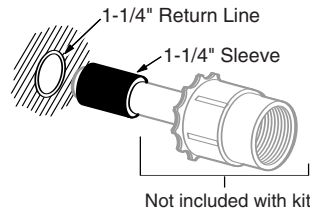
If the pool does not have a dedicated return line, the Polaris 360 connects to most common return lines using special adapter kits available for purchase at a participating Polaris dealer.

For pools with plastic-pipe return lines (without pipe threads) that are cut off flush with the pool wall:

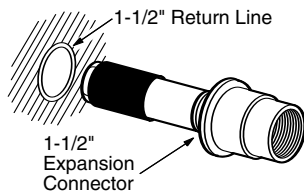
If pipe is 1" in diameter, use 1" Stub Pipe Connection Kit (part #9-100-8002)



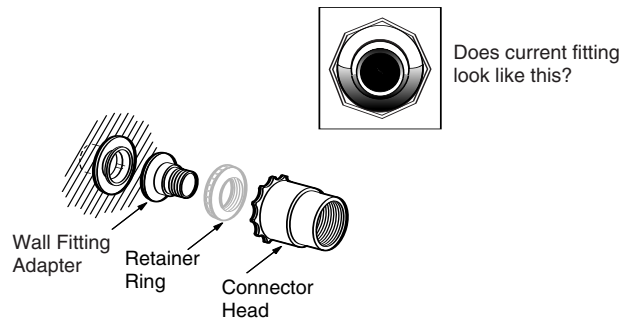
If pipe is 1-1/4" in diameter, order 1" Stub Pipe Connection Kit (part #9-100-8002) and 1-1/4" Sleeve Kit (part #8-841-00).



If pipe is 1-1/2" in diameter, use 1-1/2" Stub Pipe Connection Kit (part #9-100-8003).



For directional eyeball fittings that do not have a 1-1/2" threaded socket, request the Eyeball Adapter Connection Kit (part #9-100-8005).



These are the most common, but not all of the possible pool connections.

If the UWF and Eyeball Regulators still cannot be installed on the pool, contact your dealer or Customer Service to determine which parts may be necessary.

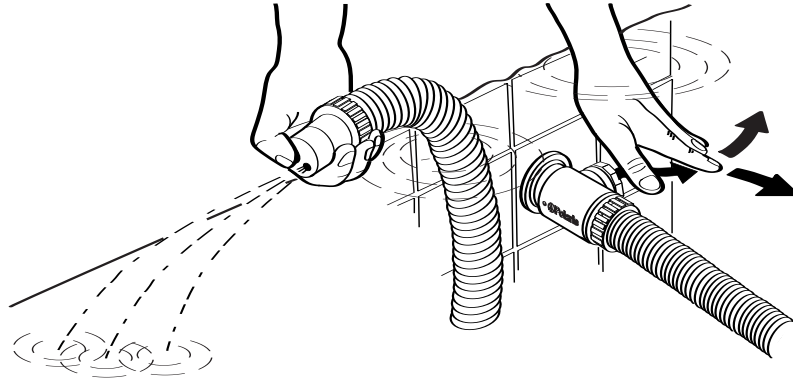
Other Connections Requiring Special Fittings

If a spa is connected to the pool filtration equipment, obtain expansion regulators in addition to one of the kits listed above. Contact your dealer or Customer Service to determine which parts may be necessary.

2

Test and Adjust Water Pressure

The Polaris is packaged with a pressure tester installed on the hose. Simply attach the hose to pool wall using the Quick Disconnect fitting. Turn pump on, cover large hole with thumb and confirm that water is released from the Pressure Relief Valve.



If water does not release from the Pressure Relief Valve, there is insufficient water pressure to operate the Polaris pool cleaner.

- Check the filter screen in the Quick Disconnect for debris which restricts water flow.
- Clean the skimmer, filter and pump basket, clearing debris which restricts water flow.
- Check the hoses, connections and swivels for leaks that cause loss of water pressure.
- If the cleaner is connected to a dedicated return line, adjust the 3-way diverter to increase water flow.

3

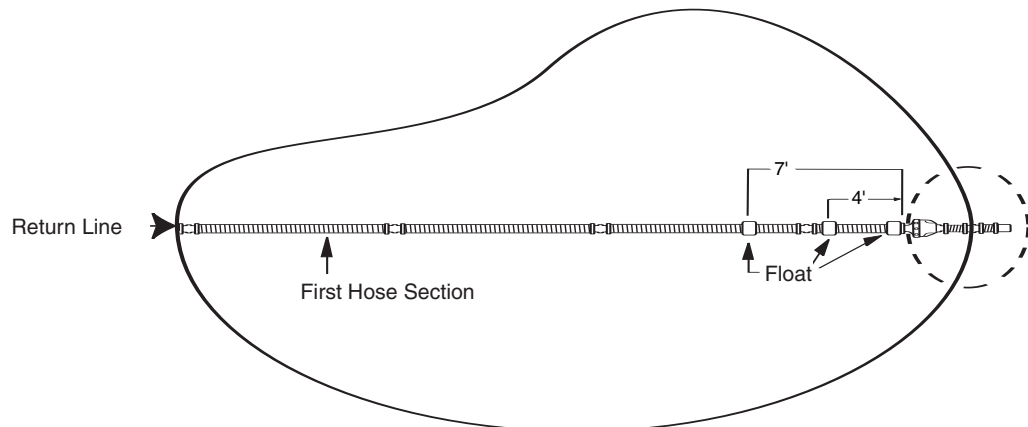
Adjust Feed Hose to Fit Pool Length

With the hose connected to the pool wall at the return line, hold feed hose under water and turn on the pool pump. Extend the hose to the farthest point of the pool. The hose end must be within 6" of this point – longer or shorter – as shown by the dotted line.

Hose too long? Cut excess length from first hose section and reconnect hose sections.

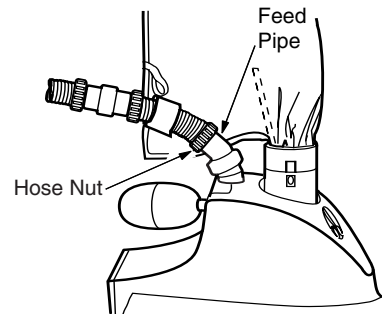
Hose too short? Buy an additional hose section and add to first hose section.

After adjusting the hose length, position the three hose floats as indicated by the diagram.



Assemble Cleaner

1. Remove the pressure tester from the hose by unscrewing the hose nut and pulling off hose.
2. Use hose nut from the pressure tester to secure hose to the cleaner body at the feed pipe.
3. The filter bag is packaged in the collar area on the cleaner body. Pull out the bag and snap the bag tie collar onto the feed hose.
4. Push Head Float all the way in, against cleaner body.
5. Place the Polaris into the pool. Turn on the pool filtration pump.

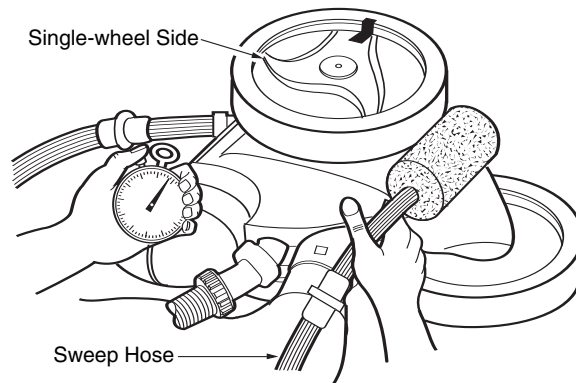


4

Check for Proper Wheel RPM

Before operating the Polaris, check for proper wheel revolutions per minute (RPM). For maximum efficiency, the Polaris should operate between 28 and 32 RPM.

1. Mark the single-wheel side tire.
2. Turn pump on, hold cleaner below water level and count wheel revolutions for 1 minute.
3. Optimum speed should be **between 28 and 32 RPM**.



If count is less than 28 RPM:

- Check the filter screen in the Quick Disconnect for debris.
- Clean the skimmer, filter and pump basket.
- Check the hoses, connections and swivels for leaks.
- If the cleaner is connected to a dedicated return line, adjust the 3-way diverter to increase water flow.

If count is more than 32 RPM, unscrew the Pressure Relief Valve until the proper RPM is reached. If an adjustable valve has been installed, adjust the valve to reduce the amount of water flow.

Fine Tuning The Polaris Cleaner

When operating correctly, the Polaris vacuums, sweeps and scrubs all surfaces randomly throughout the pool. The climbing ability of the Polaris depends on the pool's shape and water pressure or flow. The Polaris climbs best in pools without sharp angles or curves in the transition from the pool floor to the pool wall.

Approximately every 3-1/2 minutes the Polaris 360 goes into back-up mode. This action pulls the Polaris away from pool obstacles.

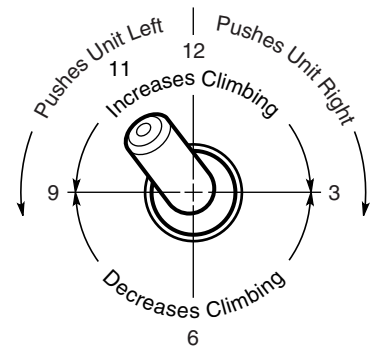
Thrust Jet Adjustment

The thrust jet powers the direction of the Polaris. Factory position is eleven o'clock, but depending on the pool, other settings are helpful.

Sweep Hose Adjustment

The sweep hose should move in a gentle sweeping motion. To decrease the motion of the sweep hose, turn the sweep hose adjustment screw clockwise.

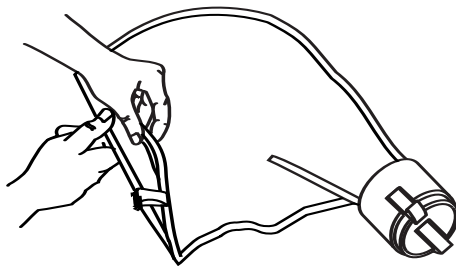
See Troubleshooting for other action adjustments.



Routine Maintenance

Cleaning the Filter Bag

Detach the bag by releasing the prongs and removing the bag tie collar from the feed hose. Open the closure and dump out the debris.



- ➔ Whenever possible, empty the filter bag when it is half full, especially if the dirt load is sand.
- ➔ It is easier to empty the filter bag when it is dry. Alternate between two filter bags. When one becomes full, remove it and put on the clean bag.

Backwashing the Pool Filter

Always disconnect the Polaris from the pool wall before cleaning or backwashing the pool filter. After cleaning or backwashing, let the filtration system run for at least five minutes to flush out the return lines before re-connecting the Polaris.

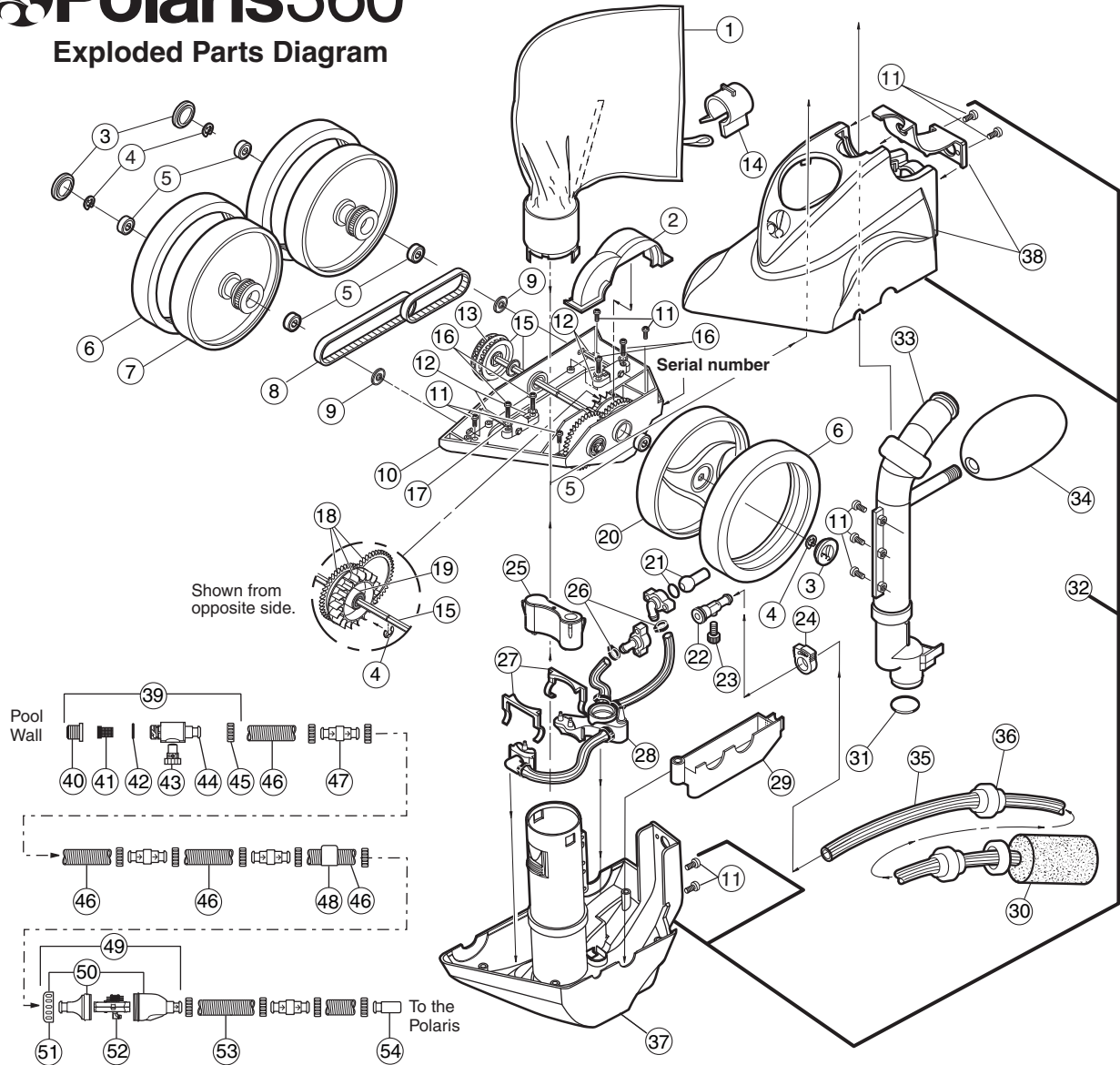
Storage and Winterizing

Never store the Polaris in direct sunlight. When storing for the winter, drain out all the water (freeze damage is not covered by the warranty). Remove the UWF from the pool wall by attaching the Quick Disconnect and using pulling pressure to unscrew. In some cases, it may be necessary to use the UWF Removal Tool (part #10-102-00) available from participating Polaris dealers.

Polaris360

Exploded Parts Diagram

English



No.	Part #	Description	Qty	No.	Part #	Description	Qty	No.	Part #	Description	Qty
1	9-100-1014	All-Purpose Bag*	1	20	9-100-1116	Wheel, Single-side	1	39	9-100-3008	UWF Connector Assembly	1
2	9-100-1152	Housing, Turbine Upper	1	21	C131	Thrust Jet Kit	1	40	6-500-00	Universal Wall Fitting (UWF)	1
3	9-100-1114	Hub Cap	3	22	9-100-7008	Sweep Hose Barb Complete	1	41	6-504-00	Filter Screen, UWF/QD	1
4	9-100-5107	E-clip, Stainless Steel	10	23	B20	Adjust.Screw, Sweep Hose	1	42	6-505-00	O-ring, UWF/QD	1
5	9-100-1108	Ball Bearing	8	24	B15	Sweep Attach Clamp	1	43	9-100-3009	Pressure Relief Valve, white	1
6	C10	Tire, MaxTrax*	3	25	9-100-3005	Base Weight	1	44	9-100-3006	Quick Disconnect, UWF	1
7	9-100-1008	Wheel, Double-side	2	26	9-100-7170	Hose Clamp for WMS	6	45	9-100-3109	Hose Nut	12
8	9-100-1017	Belt Kit, Small and Large	1	27	9-100-7009	Jet Retainer	2	46	9-100-3102	Feed Hose, 6 Foot	4
9	9-100-7011	Shield, Bearing	3	28	9-100-7014	Water Management (WMS)	1	47	9-100-3002	Swivel, Hose	4
10	9-100-1005	Frame	1	29	9-100-1155	Housing, Turbine Lower	1	48	9-100-1206	Float, Feed Hose	3
11	9-100-5125	Screw, 8-32 x 1/2" SS	11	30	9-100-3105	Sweep Hose Scrubber*	1	49	9-100-1200	In-line Back-up Valve	1
12	9-100-1139	Axle Block Kit, front and rear	1	31	9-100-5132	O-ring, Timer/Feed Pipe	1	50	9-100-1202	Case Kit, Back-up Valve	1
13	9-100-1010	Belt Divider, Pulley	1	32	9-100-7030	Top and Base Assembly	1	51	9-100-1213	Collar, Back-up Valve	1
14	9-100-3135	Collar, Bag Tie	1	33	9-100-1002	Feed Pipe/Timer Blank	1	52	9-100-1204	Mechanism, Back-up Valve	1
15	9-100-1007	Transfer/Drive Shaft	1	34	A20	Float, Head	1	53	9-100-3103	Feed Hose, 1 Foot	1
16	9-100-5115	Screw, 8-32 x 3/4" SS	4	35	9-100-1011	Sweep Hose Complete*	1	54	**	Pressure Tester	1
17	9-100-5130	Lock Washer, Axle Block	4	36	B10	Wear Rings*	7				
18	9-100-1132	Drive Train Gear Kit	1	37	9-100-7026	Base Assembly	1				
19	9-100-1103	Turbine Wheel with Bearing	1	38	9-100-1240	Top Housing	1				

* Wear items not covered by warranty.

Troubleshooting

If the Polaris cleaner displays the following actions, adjustments may be necessary to restore performance. Refer to the exploded parts diagram for part references.

Action: Hangs up on steps or other obstacles longer than 3-1/2 minutes.

- Solution:
1. Check the wheel RPM.
 2. Verify the back-up valve is cycling.
 3. Adjust the thrust jet.
 4. Remove unnecessary pool hardware or install a Ladder Guard Kit (order part #G21 from a Polaris dealer).

Action: Polaris is sluggish, running with less power than normal.

- Solution:
1. Check the filter screen in the quick disconnect and clean, if necessary.
 2. Clean the skimmer basket, pump basket, and pool filter.
 3. Check all of the hoses, connections, and swivels for leaks that could cause loss of water pressure.
 4. Check the wheel RPM.

Action: Polaris flies around the pool.

- Solution:
1. Check the wheel RPM. If more than 32 RPM, unscrew the pressure relief valve to decrease water flow to cleaner.
 2. Verify the back-up valve is cycling. Hold the valve out of the water and watch the jet. It should come on and go off.
 3. Adjust 3-way diverter to reduce the amount of water flow to the Polaris pool cleaner.

Action: Polaris does not back up.

- Solution:
1. Verify the back-up valve is cycling.
 2. Check the wheel RPM.
 3. If the bag is full, empty it.
 4. If the head float has water in it, replace it.
 5. Ensure feed hose is floating.

Action: Polaris only turns in one direction.

- Solution:
1. Adjust the thrust jet.
 2. If the end of the hose that connects to the Polaris has a curve to it, align it with the curve of the feed pipe.
 3. Make sure that the swivel on the feed pipe turns freely.
 4. Ensure feed hose is floating

Action: Feed hose becomes tangled.

- Solution:
1. Remeasure the hose to verify that it is adjusted to the proper length for the pool shape.
 2. With the Polaris operating, check that the swivels in the hose and the hose connections turn freely.
 3. Ensure the feed hose is floating.
 4. With the Polaris turned off, spin each of the wheels. All of the wheels should turn together.

Action: Sweep hose is sucked into the vacuum tube.

- Solution:
1. Make sure the opening at the end of the sweep hose is not blocked by the sweep hose scrubber.
 2. Adjust the sweep hose to a gentle sweeping motion.

Action: Sweep hose constantly sprays water out of the pool.

- Solution:**
1. Adjust the speed of the sweep hose by tightening the adjustment screw.
 2. Replace the sweep hose scrubber (part #9-100-3105) if it is worn or missing.
 3. Add a sweep hose weight (order part #B2) to keep the sweep hose from spraying.

Action: The cleaner does not clean the entire pool.

- Solution:**
1. Check the hose length reaches within 6" of the farthest point of the pool. If not, order a new hose section from your Polaris dealer and add it to the first hose section.
 2. Check thrust jet for 11 o'clock position that optimizes random turning.
 3. While the cleaner is operating, hold it upside down and look into the vacuum tube. There should be three distinct, even jets of water. If there are not, contact Customer Service or a Polaris authorized Service Center for assistance.

Action: The cleaner is running in circles on its side.

- Solution:**
1. The filter bag is full and weighing the cleaner down on one side.
 2. Remove the head float and shake it. If there is water in the float, order a new one.
 3. The feed hose should float evenly on the surface of the pool.

Troubleshooting Worksheet

If these solutions do not result in improved performance, contact the Polaris dealer who sold you the cleaner or call Customer Service.

In order to provide faster and more convenient service, please have the following information available at the time of your call or when taking the Polaris in for service.

1. **Serial #:** _____
2. **Wheel RPM:** _____
3. **Is the back-up valve cycling?**
 Yes No
4. **Is the feed hose the proper length?**
 Yes No
5. **Are the swivels rotating freely?**
 Yes No
6. **How often do you clean the filter screen inside the quick disconnect?**
 Never Once a Week
 Twice a Week Once a Month
7. **Are the vacuum jets obstructed?**
 (While the cleaner is operating, hold it upside down and look into the vacuum tube. There should be three distinct, even jets of water.)
 Yes No
8. **Is the drive train functioning?**
 (As you spin each wheel independently, all the wheels should spin.)
 Yes No

Informations importantes

- Les systèmes de chauffage solaire, les générateurs d'ozone et d'autres appareils à admission d'air peuvent générer un écoulement d'air au travers du nettoyeur et exercer une influence négative sur son équilibre et ses performances. Mettez à l'aplomb la conduite de nettoyage dédiée en amont de ces composants.
- L'eau fortement chlorée peut causer des problèmes de maintenance. Évitez d'utiliser le Polaris lorsque vous chlorez.
- Toujours déconnecter le Polaris de la paroi de la piscine avant de procéder au nettoyage ou au lavage à contre-courant du filtre.
- Après le nettoyage ou le lavage à contre-courant, laisser le système de filtrage en marche pendant au moins cinq minutes avant de reconnecter le Polaris.
- Rincer les nouvelles conduites avant d'installer le Polaris.
- Ne pas utiliser le Polaris pour enlever la poussière de plâtre dans les nouvelles piscines.
- Toujours enlever le Polaris avant qu'un nageur entre dans la piscine.
- Ne pas manipuler le Polaris pendant son fonctionnement, à moins que ce soit pour Vérifier la vitesse de rotation de la roue.
- Toujours enlever le Polaris de la piscine avant de procéder à un traitement chimique de choc.

Service clientèle ou assistance technique :

- Immédiatement retourner la carte de garantie.
- Assistance technique en ligne : www.polarispool.com
- Pour contacter Polaris :

US and Canada

Customer Service
2620 Commerce Way
Vista, CA 92081-8438
1-800-822-7933

Polaris Vac-Sweep® 360 Garantie

Vous avez choisi la marque Polaris Vac-Sweep 360 et nous vous remercions de votre confiance. Ce produit a été conçu, fabriqué et contrôlé avec le plus grand soin afin qu'il vous donne entière satisfaction.

La durée de la garantie est fixée à 2 ans à partir de la date de facturation au premier utilisateur.

AVERTISSEMENT CONCERNANT L'UTILISATION DU POLARIS 360 DANS UNE PISCINE A REVETEMENT VINYLE

La surface de certains revêtements vinyle à motifs peut s'user rapidement et les motifs peuvent disparaître au contact d'objets tels que brosses de nettoyage, jouets, bouées, fontaines, distributeurs de chlore et nettoyeur de piscine automatique. Les motifs de certains revêtements vinyle peuvent être égratignés ou usés par simple frottement, tel qu'avec une brosse de piscine. La couleur de certains motifs peut également s'effacer pendant l'installation ou en cas de contact avec des objets présents dans la piscine. Les motifs effacés, l'usure ou l'égratignure des revêtements vinyle ne relèvent pas de la responsabilité de Polaris et ne sont pas couverts par la garantie limitée.

Introduction

Félicitations pour l'achat du nouveau nettoyeur de piscine automatique et nos remerciements d'avoir choisi un produit Polaris. Grâce à sa conception et sa fiabilité, le Polaris Vac-Sweep® 360 fonctionnera sans problèmes pendant de nombreuses années.

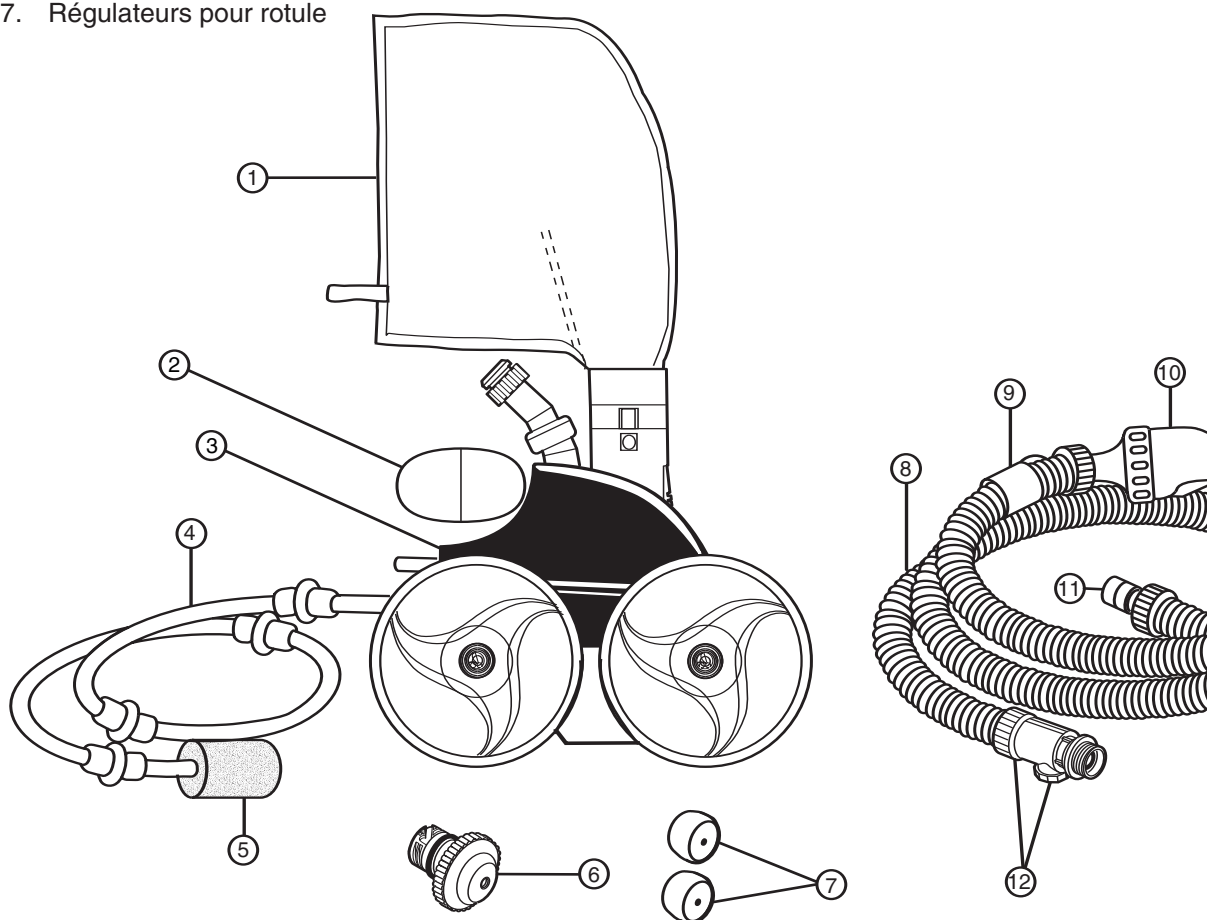
Comme la plupart des dispositifs mécaniques, le Polaris doit être ajusté périodiquement, entretenu avec régularité et équipé de nouvelles pièces après une utilisation prolongée.

Faire vérifier occasionnellement l'appareil par le distributeur local ou le centre de service Polaris.

N'utiliser que des pièces de rechange Polaris d'origine. Les pièces qui n'ont pas été fabriquées par Polaris ne satisfont pas à nos spécifications. Elles peuvent entraver le fonctionnement du Polaris, voire l'endommager.

Polaris 360 complets

- | | |
|---|---|
| 1. Sac tous usages | 8. Tuyau d'arrivée |
| 2. Flotteur de tête | 9. Flotteurs de tuyau |
| 3. Corps du nettoyeur | 10. Soupape de secours |
| 4. Tuyau de balayage | 11. Régulateur de pression |
| 5. Brosse de nettoyage du tuyau de balayage | 12. Connexion rapide avec raccord mural universel (UWF) |
| 6. Rotule de remplacement | |
| 7. Régulateurs pour rotule | |



Instructions d'installation rapide

Quatre étapes rapides pour installer le Polaris 360 et pour obtenir une performance maximum :

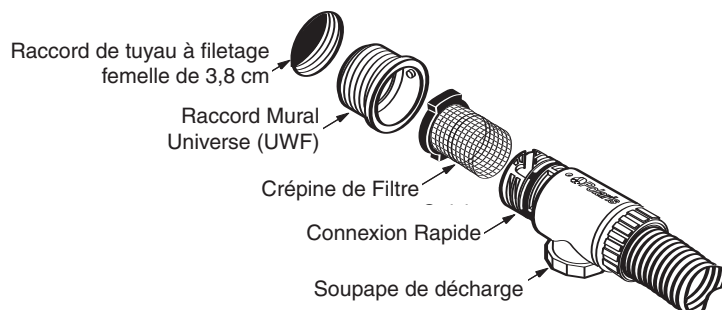
- Installation du raccord mural universel (UWF) avec la connexion rapide et les régulateurs de rotule.
- Test et réglage de la pression d'eau.
- Adaptation de la longueur du tuyau d'arrivée aux dimensions de la piscine.
- Contrôle de la vitesse de rotation de la roue du Polaris (tours par minute).

1

Installation du raccord mural universel (UWF)

L'installation ne prendra que quelques minutes si la piscine est équipée d'une ligne de retour dédiée et d'un raccord de tuyau femelle de 1-1/2 pouces (3,8 cm).

1. Mettre la pompe de filtrage en marche et rincer les conduites. Arrêter la pompe.
2. Enlever le raccord mural universel (UWF) de la connexion rapide, puis le visser sur l'ouverture d'aspiration.
3. Introduire la connexion rapide dans le raccord mural universel (UWF) en tournant dans le sens des aiguilles d'une montre, puis tirer pour verrouiller.



Installation des régulateurs de rotule

Si la piscine comporte plusieurs conduite de retour, installer les régulateurs de rotule afin d'assurer que la pression de l'eau est suffisante au bon fonctionnement du Polaris 360.

Pour rétablir la circulation d'eau après retrait du Polaris 360, utiliser la rotule de remplacement avec connexion rapide.



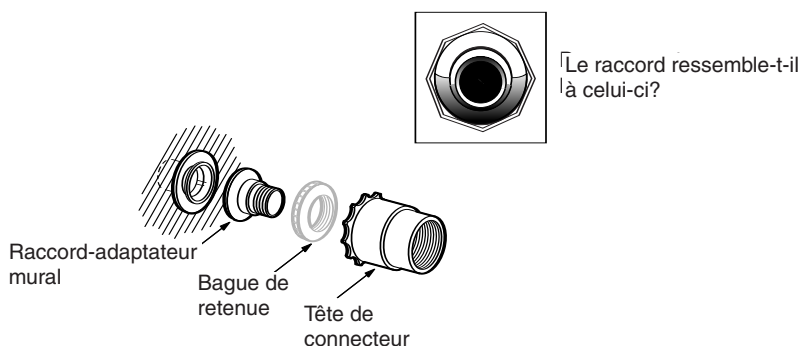
Pour adapter une conduite de retour de 1-1/4 pouces (3,2 cm) ou de 2 pouces (5 cm), utilisez le UWF Kit d'adaptateur Polaris livré avec votre nettoyeur.

Si le raccord mural universel (UWF) et les régulateurs de rotule ont été installés avec succès, SAUTER à l'étape 2. Sinon, se reporter à la rubrique Installation des autres raccords de piscine.

Installation des autres raccords de piscine

Si la piscine n'est pas équipée d'une conduite de retour dédiée, le Polaris 360 peut être connecté à la plupart des conduites de retour standard, en utilisant des kits d'adaptation spéciaux, disponibles auprès des distributeurs Polaris.

Pour les raccords à rotule orientables qui, après avoir été enlevés, n'ont pas de manchon taraudé de 1-1/2 pouces (3,8 cm), demander le kit de connexion des adaptateurs de rotule (référence 9-100-8005).



Il s'agit des raccords les plus courants, mais il en existe encore beaucoup d'autres.

Si l'installation du raccord mural universel (UWF) et des régulateurs de rotule n'est toujours pas possible, s'adresser au distributeur local ou au service Polaris pour déterminer quelles pièces se procurer.

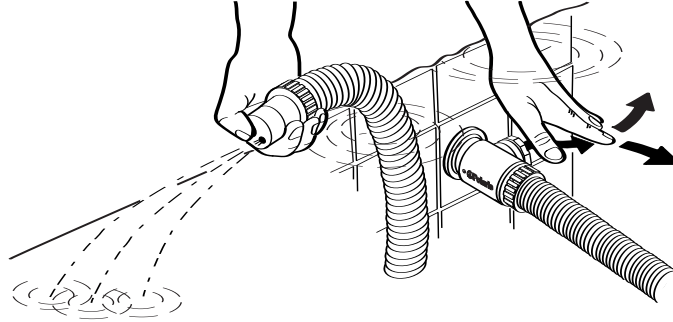
Autres connexions nécessitant des raccords spéciaux

Si un spa est connecté au système de filtrage de la piscine, demander des adaptateurs lors de la commande d'un des kits précités. Contacter le distributeur ou le service clientèle pour déterminer quelles pièces se procurer.

2

Test et réglage de la pression d'eau

Le Polaris est équipé régulateur de pression placé sur le tuyau. Il suffit de connecter le tuyau à la paroi de la piscine en utilisant le raccord à connexion rapide. Mettre la pompe en marche, fermer l'orifice de grand diamètre avec le pouce et Vérifier que de l'eau sort de la soupape de décharge.



Si ce n'est pas le cas, la pression d'eau est insuffisante pour permettre au nettoyeur de piscine Polaris de fonctionner correctement.

- Vérifier qu'aucun débris ne bouche la grille du filtre de connexion rapide.
- Nettoyer le skimmer, le filtre et le panier de la pompe, en veillant à éliminer tous les débris susceptibles de ralentir le débit d'eau.
- Vérifier l'absence de fuites au niveau des tuyaux, raccords et joints à rotule.
- Si le nettoyeur est connecté à une conduite de retour dédiée, ajuster la soupape distributrice à 3 voies pour augmenter le débit d'eau.

3

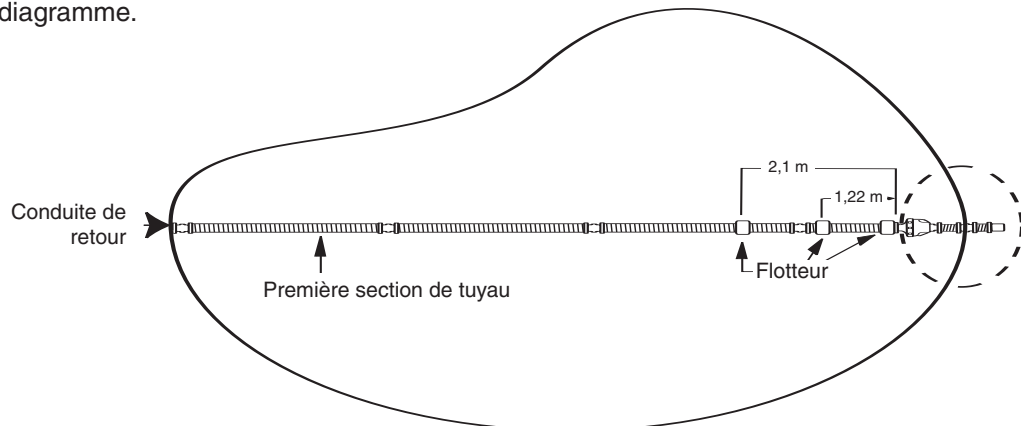
Adaptation de la longueur du tuyau d'arrivée aux dimensions de la piscine

Le tuyau d'alimentation étant raccordé à la ligne de retour, sur la paroi de la piscine, maintenir le tuyau sous l'eau et mettre la pompe de la piscine en marche. Tendre le tuyau jusqu'à ce qu'il atteigne le point le plus éloigné de la piscine. L'extrémité du tuyau doit être à plus ou moins 15 cm de ce point, comme indiqué par le cercle en pointillé.

Le tuyau est-il trop long ? Couper la longueur excédentaire de la première section de tuyau et reconnecter les sections de tuyau.

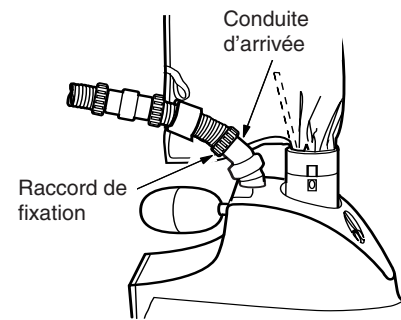
Le tuyau est-il trop court ? Acheter une section de tuyau supplémentaire et l'ajouter à la première section.

Après avoir ajusté la longueur du tuyau, mettre les trois flotteurs en place comme illustré sur le diagramme.



Assemblage du nettoyeur

1. Enlever le régulateur de pression du tuyau en dévissant le raccord de fixation et en retirant le tuyau.
2. Utiliser le raccord de fixation du régulateur de pression pour connecter le tuyau à la conduite d'arrivée sur le corps du nettoyeur.
3. Le sac de filtrage est rangé près du collier du nettoyeur. Sortir le sac et placer son collier de retenue sur le tuyau d'arrivée.
4. Enfoncer complètement le flotteur de tête en l'appuyant contre le nettoyeur.
5. Mettre le Polaris dans la piscine. Mettre la pompe de filtrage en marche.

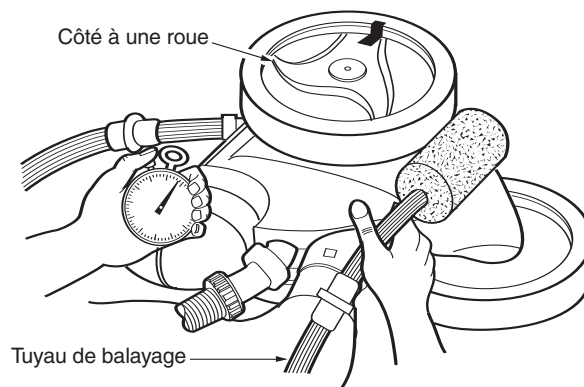


4

Contrôle de la vitesse de rotation de la roue

Avant de mettre le Polaris en marche, Vérifier la vitesse de rotation de la roue (t/min). Pour obtenir un rendement maximum, le Polaris doit tourner à une vitesse comprise entre 28 et 32 t/min.

1. Marquer la bande de roue à une face.
2. Mettre la pompe en marche, immerger le nettoyeur et compter le nombre de révolutions effectuées par la roue en 1 minute.
3. La vitesse de rotation **optimum est entre 28 et 32 t/min.**



Si elle est inférieure à 28 t/min :

- Vérifier si des débris se sont accumulés dans le filtre de la connexion rapide.
- Nettoyer le skimmer, le filtre et le panier de la pompe.
- Vérifier si les tuyaux, raccords et joints à rotule ont des fuites.
- Si le nettoyeur est connecté à une conduite de retour dédiée, ajuster la soupape distributrice à 3 voies pour augmenter le débit d'eau.

Si la vitesse de rotation est supérieure à 32 t/min, dévisser la soupape de décharge jusqu'à obtenir la vitesse correcte. Si une soupape réglable a été installée, l'ajuster pour diminuer le débit d'eau.

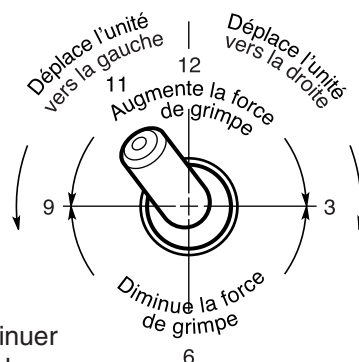
Réglage fin du nettoyeur Polaris

Lorsque le nettoyeur Polaris fonctionne correctement, il aspire, nettoie et récuré toutes les surfaces de la piscine en effectuant un parcours aléatoire. Son aptitude à monter le long des parois dépend de la forme de la piscine, de la pression et du débit d'eau. Le Polaris grimpe plus facilement dans les piscines où la transition est douce entre les parois et le fond de la piscine.

Il se met en mode marche arrière toutes les 3,5 minutes. Cela lui permet de s'éloigner des obstacles.

Réglage de la buse de propulsion

La buse propulse le Polaris dans une certaine direction. La direction est réglée en usine sur onze heures, mais dépendant de la piscine, d'autres positions pourraient être mieux adaptées à la piscine.



Réglage du tuyau de balayage

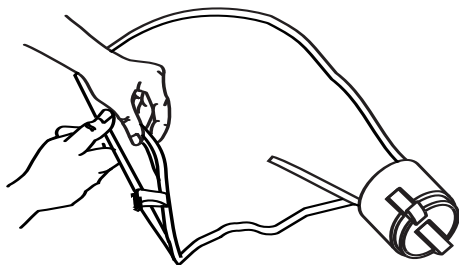
Le tuyau de balayage doit se déplacer doucement. Pour diminuer son déplacement, tourner la vis de réglage du tuyau de balayage dans le sens des aiguilles d'une montre.

Voir la rubrique Dépannage pour les autres réglages.

Entretien normal

Nettoyage du sac de filtre

Détacher le sac en libérant les fiches et en enlevant le collier de retenue du tuyau d'arrivée. Ouvrir l'ouverture et vider le sac.



- ➔ Si cela est possible, vider le sac quand il est à moitié plein, surtout s'il est rempli de sable.
- ➔ Il est plus facile de vider le sac de filtrage quand il est sec. Utiliser deux sacs en alternance. Quand l'un est plein, l'enlever et installer le sac propre.

Lavage à contre-courant du filtre de la piscine

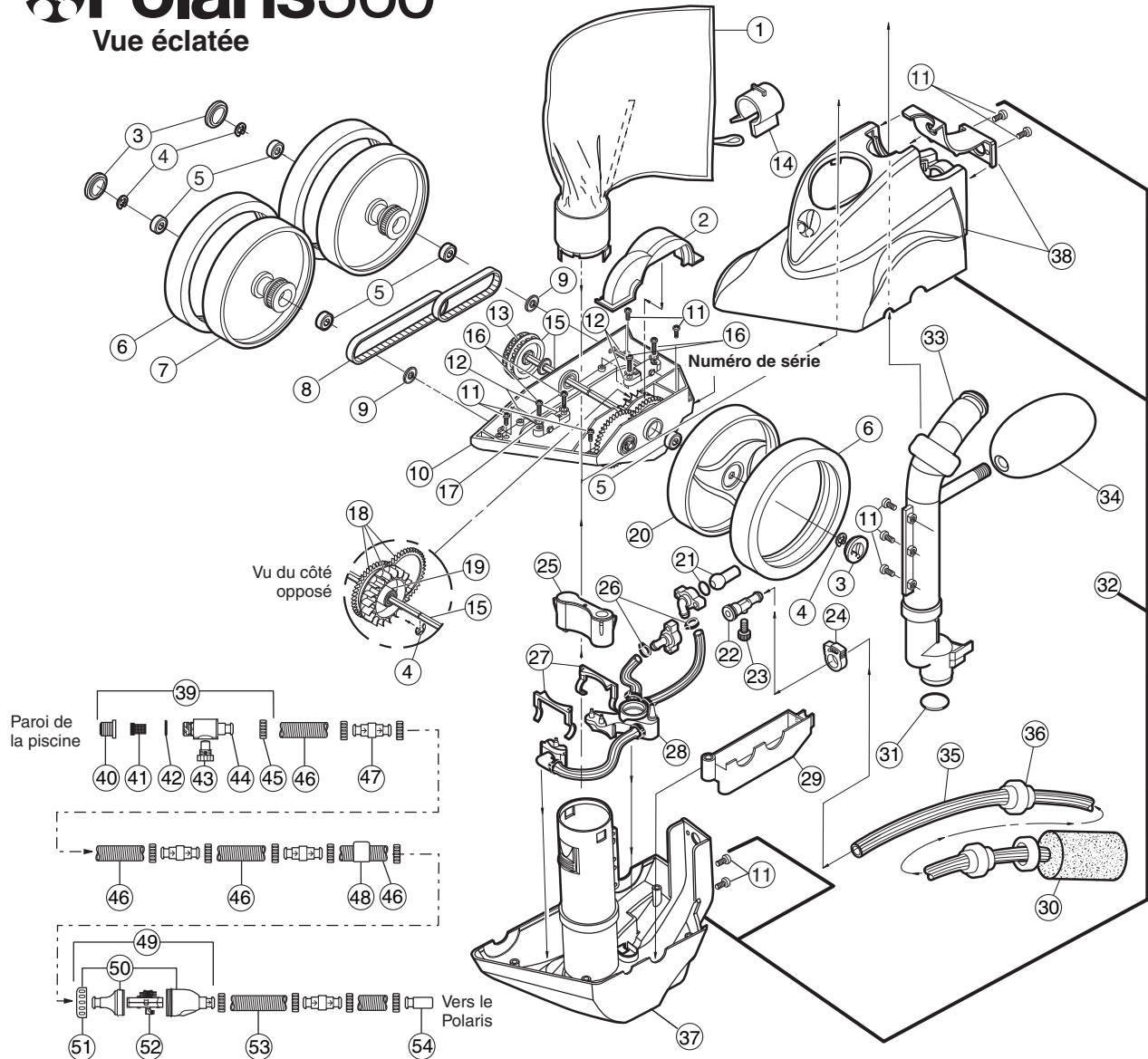
Toujours déconnecter le Polaris de la paroi de la piscine avant de procéder au nettoyage ou au lavage à contre-courant du filtre de la piscine. Après un nettoyage ou lavage à contre-courant, laisser fonctionner le système de filtrage pendant au moins cinq minutes pour rincer les conduites de retour, puis reconnecter le Polaris.

Entreposage préparation à l'hivernage

Ne jamais entreposer le Polaris dans un endroit où il serait exposé aux rayons directs du soleil. Pour le ranger pendant l'hiver, vider toute l'eau (les dégâts provoqués par le gel ne sont pas couverts par la garantie). Enlever le raccord universel de la paroi de la piscine en y fixant la connexion rapide et tourner tout en tirant. Dans certains cas, il sera nécessaire d'utiliser l'outil de déconnexion du raccord mural universel (UWF) (référence 10-102-00) disponible chez le distributeur Polaris agréé.

Polaris360

Vue éclatée



Français

N°	N° de pièce	Description	Qté	N°	N° de pièce	Description	Qté	N°	N° de pièce	Description	Qté
1	9-100-1014	Sac tous usages*	1	19	9-100-1103	Roue de turbine avec palier	1	34	A20	Flotteur, tête	1
2	9-100-1152	Cartier supérieur de la turbine	1	20	9-100-1116	Roue, côté roue unique	1	35	9-100-1011	Tuyau de balayage complet*	1
3	9-100-1114	Enjoliveur	3	21	C131	Kit buse de propulsion	1	36	B10	Bagues d'usure*	7
4	9-100-5107	Goupille, acier inoxydable	10	22	9-100-7008	Raccord du tuyau de balayage	1	37	9-100-7026	Ensemble base	1
5	9-100-1108	Roulement à billes	8	23	B20	Vis de réglage, Tuyau de balayage	1	38	8-100-1240	Cartier supérieur	1
6	C10	Pneu, MaxTrax®	3	24	B15	Bague de serrage du tuyau de balayage	1	39	9-100-3008	Ensemble de connecteur UWF	1
7	9-100-1008	Roue, côté roues jumelles	2	25	9-100-3005	Lest de la base	1	40	6-500-00	Raccord Mural Universel (UWF)	1
8	9-100-1017	Kit de courroies, grande et petite	1	26	9-100-7170	Bague de serrage pour tuyaux du système de distribution d'eau	6	41	6-504-00	Crépine de Filtre, UWF/QD	1
9	9-100-7011	Écran, palier	3	27	9-100-7009	Bague de retenue de la buse	2	42	6-505-00	Joint torique, UWF/QD	1
10	9-100-1005	Châssis complet, uniquement pour échange	1	28	9-100-7014	Système de distribution d'eau	1	43	9-100-3009	Soupape de décharge, blanche	1
11	9-100-5125	Vis, 8-32 x 1/2" en acier inox	11	29	9-100-7015	Cartier inférieur de la turbine	1	44	9-100-3006	Connexion rapide, UWF	1
12	9-100-1139	Kit du bloc essieu, avant & arrière	1	30	9-100-3105	Brosse du tuyau de balayage*	1	45	9-100-3109	Raccord de fixation du tuyau	12
13	9-100-1010	Séparateur de courroies, poulie	1	31	9-100-5132	Joint annulaire, conduite d'alimentation/minuterie	1	46	9-100-3102	Tuyau d'alimentation, 1,8 m	4
14	9-100-3135	Collier, attache du sac	1	32	9-100-7030	Ensemble partie supérieure et base	1	47	9-100-3002	Pivot, tuyau	4
15	9-100-1007	Poulie d'entraînement et arbre moteur	1	33	9-100-1002	Tuyau d'arrivée/cache de la minuterie	1	48	9-100-1206	Flotteur, tuyau d'arrivée	3
16	9-100-5115	Vis, 8-32 x 3/4" en acier inox.	4					49	9-100-1200	Soupape de secours en ligne	1
17	9-100-5130	Rondelle d'arrêt, bloc essieu	4					50	9-100-1202	Kit de boîtier, soupape de secours	1
18	9-100-1132	Jeu d'engrenages du train moteur	1					51	9-100-1213	Collier, soupape de secours	1
								52	9-100-1204	Mécanisme, soupape de secours	1
								53	9-100-3103	Tuyau d'alimentation, 30 cm	1
								54	**	Régulateur de pression	1

* Les pièces consommables ne sont pas couvertes par la garantie.

Dépannage

Si le nettoyeur Polaris présente souvent l'un des comportements suivants, un réglage est sans doute nécessaire pour obtenir un fonctionnement correct. Veuillez consulter la vue éclatée des pièces pour trouver les références des pièces.

Action : S'accroche aux marches et autres obstacles pendant plus de 3,5 minutes.

Solution :

1. Vérifier la vitesse de rotation de la roue du Polaris.
2. Vérifier le cycle de la soupape de secours.
3. Ajuster la buse de propulsion.
4. Enlever tout matériel inutile de la piscine ou installer un kit de protection d'échelle (commander la pièce no. G21 auprès d'un distributeur Polaris).

Action : Le Polaris se déplace avec extrême lenteur et fonctionne avec une puissance inférieure à la normale.

Solution :

1. Vérifier le filtre de la connexion rapide et le nettoyer si nécessaire.
2. Nettoyer le panier du skimmer, le panier de la pompe et le filtre de la piscine.
3. Vérifier si les tuyaux, connexions et rotules ont des fuites. Cela expliquerait la baisse de pression d'eau.
4. Vérifier la vitesse de rotation de la roue du Polaris.

Action : Le Polaris se déplace rapidement dans la piscine.

Solution :

1. Vérifier la vitesse de rotation de la roue du Polaris. Si elle est supérieure à 32 t/min, dévisser la soupape de décharge pour diminuer le débit d'eau du nettoyeur.

2. Vérifier le cycle de la soupape de secours. Sortir la soupape de l'eau et observer le jet. Il doit pulser.
3. Régler la soupape distributrice à 3 voies pour réduire le débit d'eau du nettoyeur de piscine Polaris.

Action : Le Polaris ne recule pas.

Solution :

1. Vérifier le cycle de la soupape de secours.
2. Vérifier la vitesse de rotation de la roue du Polaris.
3. Vider le sac s'il est plein.
4. Si le flotteur de tête contient de l'eau, le remplacer.
5. S'assurer que le tuyau d'arrivée flotte.

Action : Le Polaris ne tourne que dans un seul sens.

Solution :

1. Ajuster la buse de propulsion.
2. Si l'extrémité du tuyau connectée au Polaris est courbée, l'aligner avec la courbure de la conduite d'arrivée.
3. S'assurer que le joint à rotule de la conduite d'arrivée tourne librement.
4. S'assurer que le tuyau d'arrivée flotte.

Action : Le tuyau d'arrivée forme des nœuds.

- Solution :
1. Remesurer la longueur du tuyau et vérifier qu'elle correspond à celle requise par la forme de la piscine.
 2. Lorsque le Polaris fonctionne, vérifier que les joints à rotule et les connexions des tuyaux tournent librement.
 3. S'assurer que le tuyau d'arrivée flotte.
 4. Lorsque le Polaris est arrêté, actionner chacune des roues. Toutes les roues doivent tourner en même temps.

Action : Le tuyau de balayage a été aspiré dans le tuyau aspirant.

- Solution :
1. S'assurer que l'ouverture à l'extrémité du tuyau de balayage n'est pas bloquée par la brosse de nettoyage du tuyau de balayage.
 2. Ajuster le tuyau de balayage pour obtenir un déplacement régulier.

Action : Le tuyau de balayage asperge sans cesse le pourtour de la piscine.

- Solution :
1. Régler la vitesse du tuyau de balayage en serrant la vis de réglage.
 2. Remplacer la brosse de nettoyage du tuyau de balayage (pièce no. 9-100-3105) si elle est usée ou installer une brosse s'il n'y en a pas.
 3. Ajouter des lests au tuyau de balayage (commander la pièce no. B2) pour éviter qu'il asperge les environs de la piscine.

Action : Le nettoyeur ne nettoie pas toute la piscine.

- Solution :
1. Vérifier que le tuyau atteint le point le plus éloigné de la piscine à plus ou moins 15 cm près. Si ce n'est pas le cas, commander une nouvelle section de tuyau auprès d'un distributeur Polaris et l'ajouter à la première section.
 2. Vérifier que la buse de propulsion est orientée à 11 heures pour optimiser le déplacement aléatoire.
 3. Pendant que le nettoyeur fonctionne, le tenir à l'envers et regarder à l'intérieur du tube de mise sous vide. On doit observer trois jets d'eau distincts ayant tous le même débit d'eau. En leur absence, contacter le Service de la clientèle ou un centre de service agréé par Polaris pour obtenir de l'aide.

Action : Le nettoyeur tourne en rond, couché sur le côté.

- Solution :
1. Le sac de filtrage est plein et son poids fait basculer le nettoyeur sur sa face latérale.
 2. Enlever le flotteur de tête et le secouer. S'il contient de l'eau, en commander un autre.
 3. Le tuyau d'arrivée doit flotter uniformément à la surface de l'eau.

Wichtige Informationen

- Solarwärmesysteme, Ozongeneratoren und andere Luftansaugeräte können Luftströmungen durch den Reiniger erzeugen, die die Reinigerbalance und Leistung negativ beeinflussen. Eine fest zugeordnete Reinigungsleitung stromaufwärts von diesen Komponenten aus einbauen.
- Stark gechlortes Wasser kann zu Wartungsproblemen führen. Den Polaris soweit möglich nicht laufen lassen während gechlort wird.
- Den Polaris immer von der Poolwand entfernen, wenn der Poolfilter gereinigt oder rückgespült wird.
- Nach dem reinigen oder rückspülen das Filtersystem mindestens fünf Minuten laufen lassen, bevor man den Polaris anschließt.
- Neu installierte Rohrleitungen sollen vor Installation des Polaris sauber durchgespült werden.
- Der Polaris soll nicht zur Entfernung von Mauerputzstaub bei neuen Pools verwendet werden.
- Den Polaris vom Pool entfernen, wenn sich Badende im Pool befinden.
- Den Polaris nicht bedienen während er läuft, mit der Ausnahme, wenn man die Umdrehungszahl (Umdrehungen pro Minute) der Räder prüft.
- Vor Hinzufügung von Chemikalien, den Polaris immer vom Pool entfernen.

Kundendienst:

- Garantiekarte bitte sofort einsenden.
- Für Online Unterstützung: www.polarispool.com
- So können Sie Polaris finden:

US and Canada

Customer Service
2620 Commerce Way
Vista, CA 92081-8438
1-800-822-7933

Polaris Vac-Sweep® 360 Garantie

Sie haben sich für die Marke Polaris Vac-Sweep 360 entschieden, und wir danken Ihnen für Ihr Vertrauen. Dieses Produkt wurde mit größter Sorgfalt entwickelt, hergestellt und geprüft, damit es zu Ihrer vollen Zufriedenheit funktioniert.

Die Garantiezeit ist auf 2 Jahre ab Rechnungsdatum des Ersterwerbs festgelegt.

WARNHINWEIS: ANWENDUNG DES POLARIS 360 IN EINEM POOL MIT VINYLEINSATZ

Bestimmte Muster des Vinyleinsatzes sind ganz besonders auf schnelle Oberflächenabnutzung oder Abnutzung des Musters durch Gegenstände, die mit der Vinyloberfläche in Berührung kommen, einschließlich der Poolbürste, Poolspielsachen, Schwimmkörper, Springbrunnen, Chlorverteiler und automatischem Poolreiniger, anfällig. Manche Muster können durch Bürsten der Oberfläche stark verkratzt oder abgeschürft werden. Es kann auch vorkommen, dass sich während der Installation die Farbe des Musters abreibt, wenn der Vinyleinsatz mit Gegenständen im Pool in Kontakt kommt. Polaris, so wie die eingeschränkte Haftung von Polaris, haften nicht für Abreibungen des Musters, so wie Abschürfungen oder Markierungen am Vinyleinsatz.

Einleitung

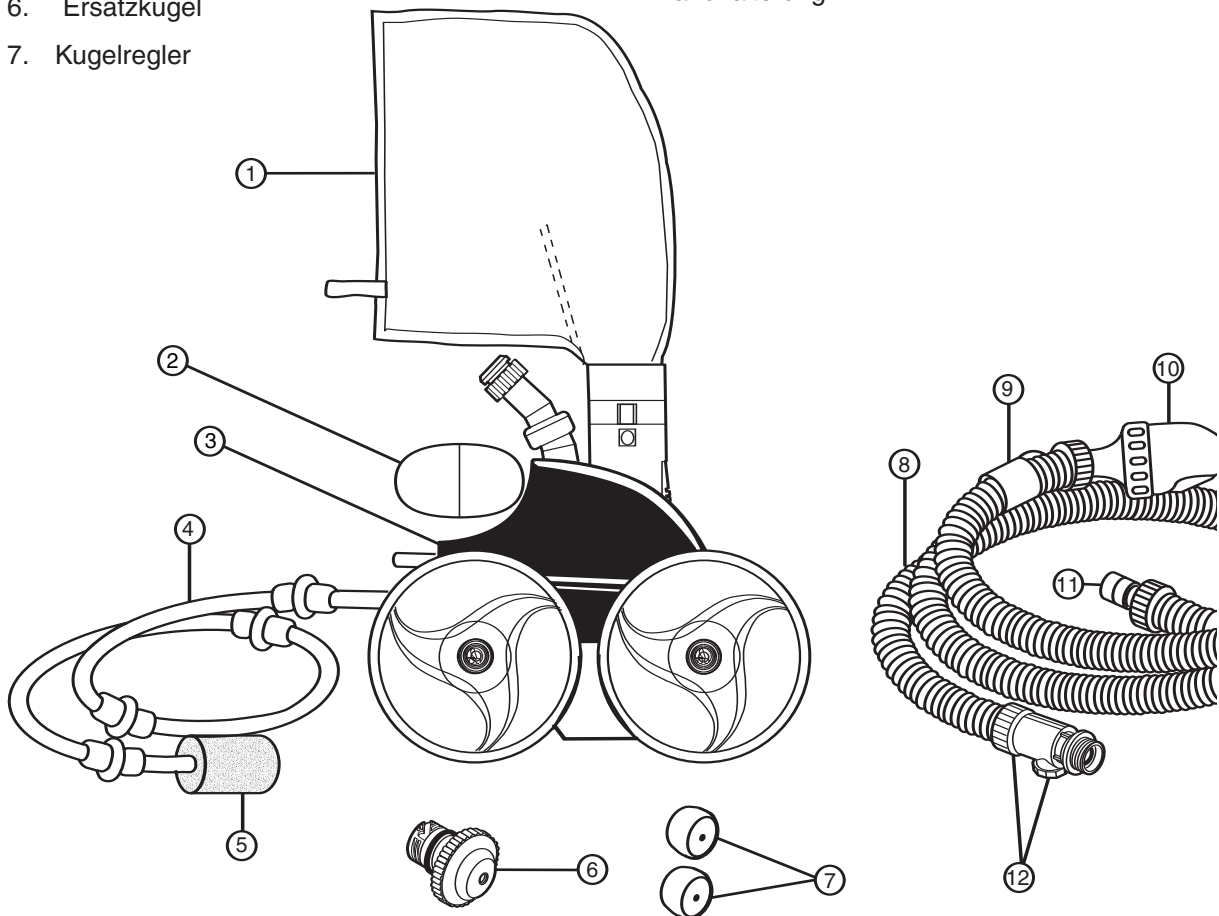
Es freut uns, dass Sie sich zum Kauf des neuen, automatischen Poolreinigers entschlossen haben und wir bedanken uns, dass Sie Polaris gewählt haben. Der Polaris Vac-Sweep® 360 wurde so entworfen, dass er Ihnen jahrelangen, zuverlässigen Service bietet.

Wie die meisten mechanischen Geräte, so muss auch der Polaris periodisch nachgestellt und routinemäßige Wartungsarbeiten, mit eventuellem Ersetzen bestimmter Stressteile, durchgeführt werden. Stellen Sie sicher, dass Sie Ihren Polaris ab und zu von Ihrem örtlichen Polaris Händler oder von einem berechtigten Service Center warten lassen.

Bestehen Sie immer auf Originalersatzteile von Polaris. Ersatzteile die nicht von Polaris stammen entsprechen nicht unseren Vorschriften. Es kann sein, dass sich diese Teile negativ auf die Funktion Ihres Polaris auswirken oder diesen sogar beschädigen.

Polaris 360 kompletter Reiniger

- | | |
|-------------------------|---|
| 1. Allzweckbeutel | 8. Zufuhrschlauch |
| 2. Schwimmkopf | 9. Schlauchschwimmkörper |
| 3. Reiniger | 10. Rücklaufventil |
| 4. Sweep-Schlauch | 11. Drucktester |
| 5. Sweep-Schlauchbürste | 12. Quick Trenner mit Universaler Wandhalterung |
| 6. Ersatzkugel | |
| 7. Kugelregler | |



Quick Installationsanleitung

Vier schnelle Schritte zur Installation und maximalen Leistung des Polaris 360:

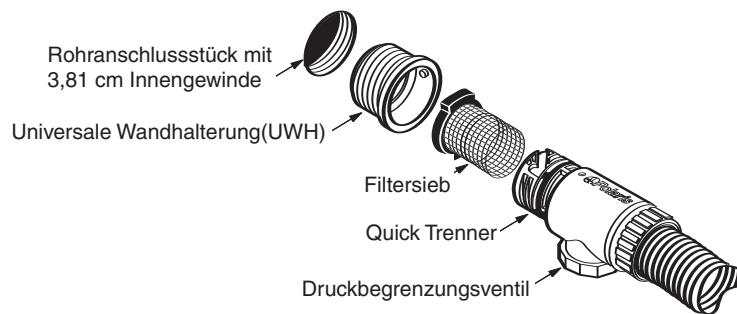
- Universale Wandhalterung (UWH) mit dem Quick Trenner und dem Kugelregler installieren.
- Wasserdruck testen und einstellen.
- Zufuhrschlauch der Poollänge anpassen.
- Richtige Radumdrehungsgeschwindigkeit überprüfen (Umdrehungen pro Minute)

1

Installation der universalen Wandhalterung

Wird in Minuten mit einer dafür vorgesehenen Reinigungsrücklaufleitung und einer mit einem 1-1/2 Zoll (3,81 cm) Innengewinde versehenem Rohranschlussstück installiert.

1. Die Filterpumpe einschalten und die Rohrleitungen durchspülen. Pumpe ausschalten.
2. Den UWH von dem Quick Trenner entfernen und in die Rücklauföffnung einschrauben.
3. Den Quick Trenner im Uhrzeigersinn in den UWH drehen und festziehen um diesen zu sichern.



Installation der Kugelregler

Wenn der Pool mehr als eine Rücklaufleitung hat, sollen Kugelregler installiert werden, um sicher zu stellen, dass der Wasserdruck des Pools groß genug ist um den Polaris 360 laufen zu lassen.

Wird der Polaris 360 aus dem Pool entfernt, dann nehmen Sie die Ersatzkugel zusammen mit einem Quick Trenner Anschlussstück, um die genaue Wasser-zirkulation zu erreichen.



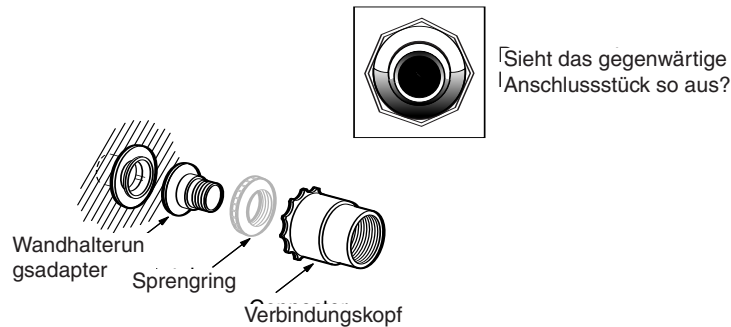
Um eine 3,2 cm oder 5 cm Rücklaufleitung anzupassen, benutzen Sie bitte das UWH Polaris-Adapter-Kit, das dem Reiniger beiliegt.

Wenn die Universale Wandhalterung und die Kugelregler erfolgreich installiert sind, **GEHEN** Sie **WEITER** zu Schritt 2. Anderenfalls beziehen Sie sich auf „Installation anderer Poolverbindungen“.

Installation anderer Poolverbindungen

Wenn der Pool keine designierte Rücklaufleitung hat, kann der Polaris 360 an die meisten, standard Rücklaufleitungen angeschlossen werden, indem man entsprechende Adapterkits kauft, die über Ihren Polaris Händler erhältlich sind.

Für richtungsabhängige Kugelanschlussstücke die, wenn sie entfernt werden, keine 3,8 cm Hülse haben, sollen Sie das Kugeladapter Verbindungskit (Teile Nr. 9-100-8005) verlangen.



Dies sind die geäufigsten, jedoch nicht alle möglichen Poolverbindungen.

Wenn der UWH und die Kugelregler immer noch nicht am Pool installiert werden können, setzen Sie sich bitte mit Ihrem Händler oder dem Polaris Kundendienst in Verbindung um festzustellen welche Teile Sie benötigen.

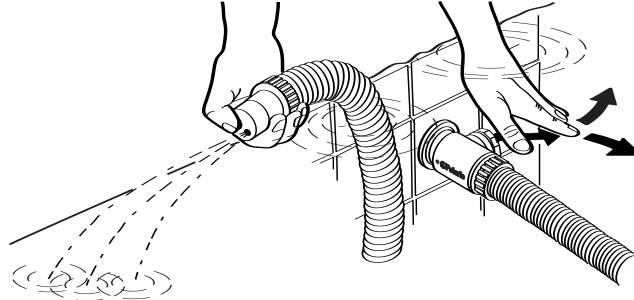
Andere Verbindungen mit speziellen Anschlussstücken

Wenn an das Poolfiltersystem ein Whirlpool (Spa) angeschlossen ist, dann beziehen Sie, zusätzlich zu einem der oben angegebenen Kits, einen Ausdehnungsregler. Setzen Sie sich bitte mit Ihrem Händler oder dem Kundendienst in Verbindung um festzustellen welche notwendigen Teile sie benötigen.

2

Testen und einstellen des Wasserdrucks

Der Polaris wurde mit einem Druckmesser im Schlauch verpackt. Verbinden Sie ganz einfach den Schlauch mit der Poolwand, mittels des Quick Trenners. Schalten Sie die Pumpe ein, decken Sie die grosse Öffnung mit dem Daumen ab und stellen Sie sicher, dass das Wasser von dem Überdruckventil freigegeben wird.



Wenn das Wasser nicht von dem Überdruckventil freigegeben wird, ist nicht genügend Wasserdruck vorhanden und der Polaris Poolreiner funktioniert nicht richtig.

- Filter in dem Quick Trenner auf Abfall überprüfen, der den Durchfluss behindern kann.
- Schaumlöffel, Filter und Pumpenkorb reinigen, indem man den Abfall entfernt, der den Wasserdurchfluss hindert.
- Schläuche, Verbindungen und Kippvorrichtungen auf Lecks überprüfen, die den Verlust des Wasserdrucks verursachen könnten.
- Wenn der Reiner mit einer dafür vorgesehenen Rücklaufleitung verbunden ist, stellen Sie den 3-weg Verteiler so ein, dass der Wasserdurchfluss erhöht wird.

3

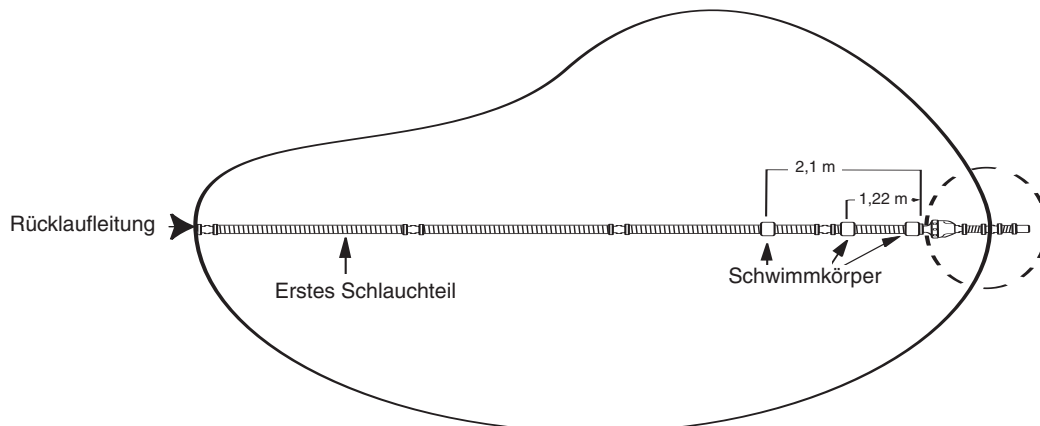
Zufuhrschlauch passend zur Länge des Pools einstellen

Mit dem Schlauch an der Rücklaufleitung an die Poolwand befestigt, den Schlauch unter die Wasseroberfläche halten und die Poolpumpe einschalten. Ziehen Sie den Schlauch bis zum längsten Ende des Pools. Das Schlauchende muss sich innerhalb 15,2 cm – länger oder kürzer – befinden, so wie es durch die gestrichelte Linie angezeigt ist.

Ist der Schlauch zu lang? Schneiden Sie den überschüssigen Schlauch von dem ersten Schlauchteil ab und verbinden Sie beide Schlauchteile.

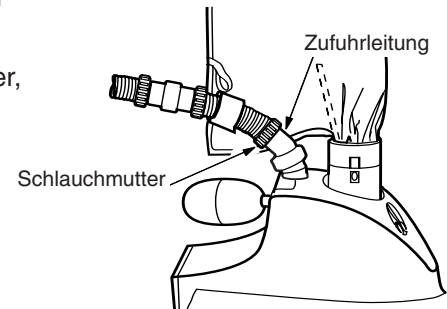
Ist der Schlauch zu kurz? Kaufen Sie ein Verlängerungsstück und verbinden Sie dieses mit dem ursprünglichen Schlauch.

Nachdem Sie die Schlauchlänge eingestellt haben, positionieren Sie die drei Schlauchschwimmkörper so wie es auf dem Diagramm dargestellt ist.



Montage des Reinigers

1. Entfernen Sie den Druckmesser vom Schlauch, indem Sie die Mutter des Schlauches abschrauben und den Schlauch entfernen.
2. Benutzen Sie die Schlauchmutter vom Druckmesser, um den Schlauch mittels der Zufuhrleitung an den Reiniger zu befestigen.
3. Der Filterbeutel ist in dem Kragenbereich des Reinigers verpackt. Ziehen Sie den Beutel heraus und befestigen Sie die Beutelklemme an den Zufuhrschlauch.
4. Den Schwimmkopf ganz hinein und gegen den Reiniger drücken.
5. Geben Sie den Polaris in den Pool. Schalten Sie die Poolfilterpumpe ein.

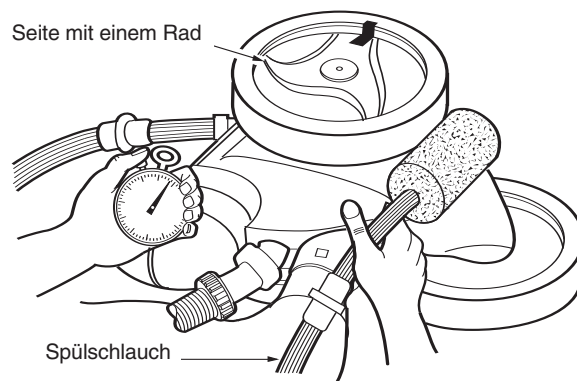


4

Umdrehungszahl der Räder überprüfen

Bevor Sie den Polaris bedienen sollten Sie die Räder auf die richtige Umdrehung (Umdrehungszahl pro Minute) überprüfen. Für die optimale Leistung soll der Polaris zwischen 28 und 32 Umdrehungen pro Minute laufen.

1. Markieren Sie eine Seite eines der Räder.
2. Schalten Sie die Pumpe ein und tauchen Sie den Polaris in das Wasser ein und zählen Sie die Radumdrehungen für eine Minute.
3. Die optimale Leistung soll **zwischen 28 und 32 Umdrehungen pro Minute liegen**.



Bei weniger als 28 Umdrehungen pro Minute:

- Überprüfen Sie das Filtersieb des Quick Trenners nach Abfall.
- Den Schaumlöffel, den Filter und den Pumpenkorb reinigen.
- Schläuche, Verbindungen und Kippvorrichtungen auf Lecks überprüfen.
- Wenn der Reiniger mit einer dafür vorgesehenen Rücklaufleitung verbunden ist, stellen Sie den 3-weg Verteiler so ein, dass der Wasserdurchfluss erhöht wird.

Bei mehr als 32 Umdrehungen pro Minute öffnen Sie das Überdruckventil bis die richtige Umdrehungszahl erreicht ist. Wurde ein regulierbares Ventil installiert, justieren Sie das Ventil um den Wasserdurchfluss zu reduzieren.

Feineinstellung des Polaris Reinigers

Wenn der Polaris richtig eingestellt ist, saugt, bürstet und reinigt er alle Flächen und Bereiche willkürlich im gesamten Pool. Die Kletterfähigkeit des Polaris hängt vom Design des Pools und vom Wasserdruck oder Wasserfluss ab. Am besten klettert der Polaris bei Pools die keine scharfen Winkel oder Kurven im Übergang zwischen dem Poolboden und den Poolwänden haben.

Der Polaris 360 wechselt etwa alle 3-1/2 Minuten in den Rückwärtsmodus um. Durch diese Bewegung entfernt sich der Polaris von etwaigen Hindernissen.

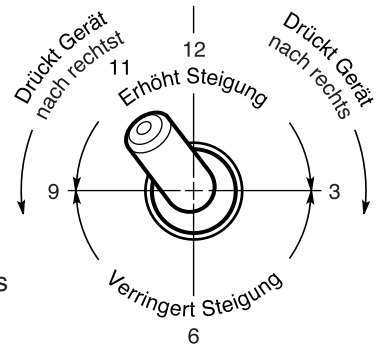
Schub-Jet Einstellung

Das Schub-Jet steuert den Polaris. Die Einstellung vom Hersteller befindet sich bei 11 Uhr, jedoch können andere Einstellung, je nach Pool, hilfreich sein.

Sweep-Schlaucheinstellung

Der Sweep-Schlauch soll sich mühelos und un-gehindert hin und her bewegen. Um die Bewegung des Sweep-Schlauches zu verringern, drehen Sie die Sweep-Schlaucheinstellungsschraube im Uhrzeigersinn.

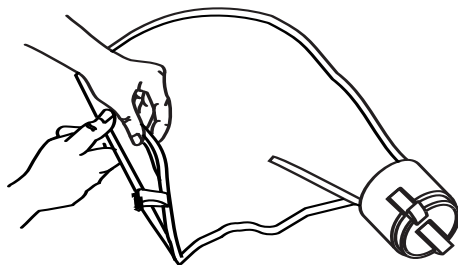
Andere Einstellungen finden Sie im Abschnitt Fehlerbehebung.



Routine Wartung

Filterbeutel Reinigen

Entfernen Sie den Beutel, indem Sie die Klammern öffnen und den Kragen des Beutels vom Zufuhrschlauch entfernen. Den Verschluss öffnen und den Abfall entfernen.



- ➔ Wann immer möglich, leeren Sie den Filterbeutel, wenn er halb voll ist, besonders dann, wenn er durch Sand verschmutzt ist.
- ➔ Es ist einfacher den Filterbeutel zu leeren, wenn er trocken ist. Wechseln Sie zwischen zwei Filterbeutel ab. Wenn ein Beutel voll ist dann entfernen Sie diesen und ersetzen ihn mit einem sauberen Beutel.

Rückspülung des Poolfilters

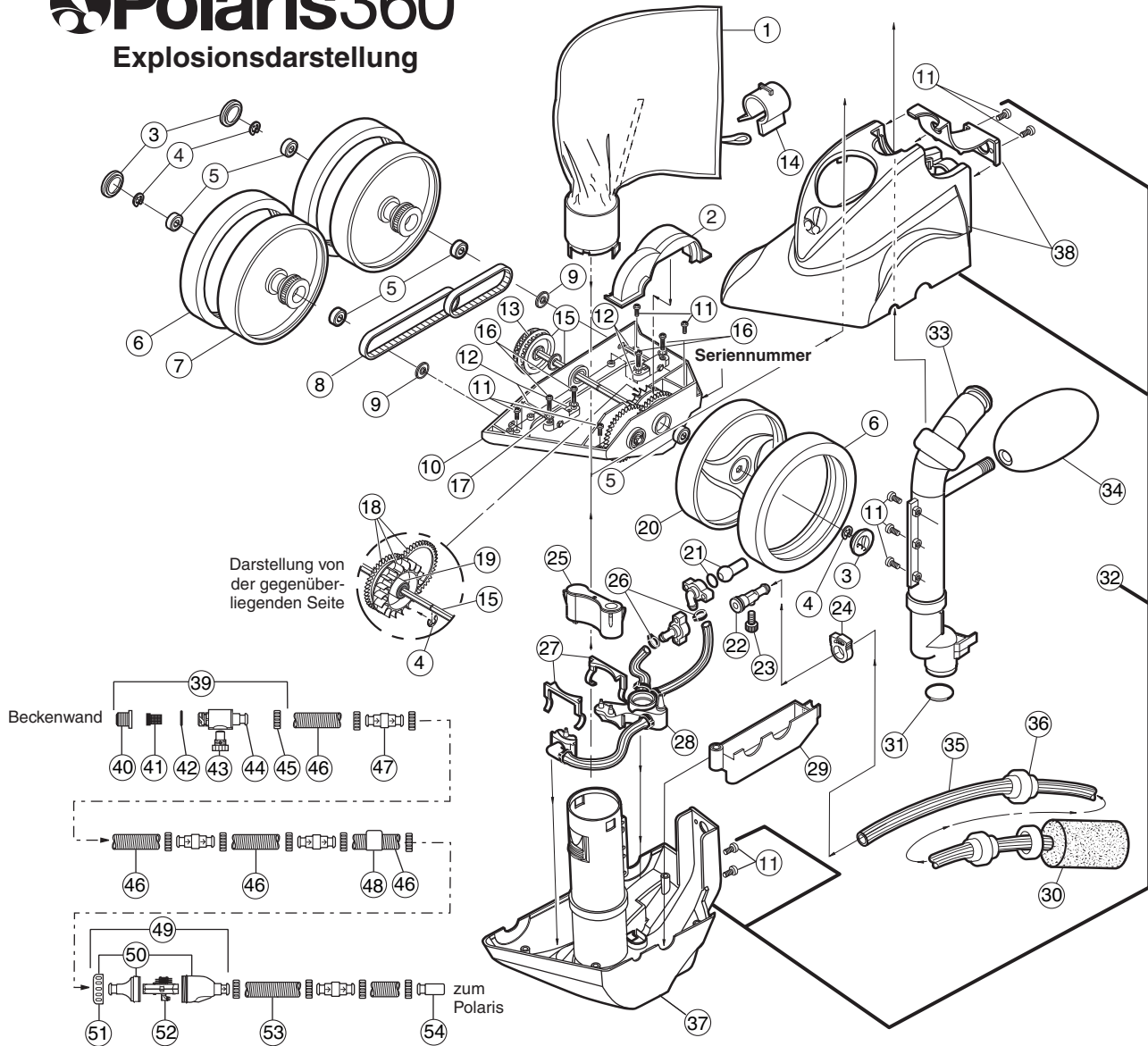
Bevor Sie den Poolfilter reinigen oder rückspülen, soll der Polaris immer von der Poolwand entfernt werden. Nach dem reinigen und rückspülen soll das Filtersystem mindestens fünf Minuten lang laufen um die Rücklaufleitungen durchzuspülen bevor der Polaris neu angeschlossen wird.

Lagerung und Einwinterung

Der Polaris soll nie im direkten Sonnenlicht gelagert werden. Für die Einwinterung sollen alle Wasserrückstände aus den Schläuchen abgelassen werden (Schäden durch Frost werden von der Garantie nicht gedeckt). Entfernen Sie den UWH von der Poolwand, indem Sie den Quick Trenner benutzen und ihn durch Zugkraft abschrauben. In manchen Fällen kann es vorkommen, dass man das UWH Removal Tool (UWH Entferner) (Teile Nr. 10-102-00) benutzen muss, welchen Sie über Ihren Polaris Händler beziehen können.

Polaris360

Explosionsdarstellung



Deutsch

Nr.	Teile-Nr.	Bezeichnung	Anzahl	Nr.	Teile-Nr.	Bezeichnung	Anzahl	Nr.	Teile-Nr.	Bezeichnung	Anzahl
1	9-100-1014	Allzweckbeutel*	1	20	9-100-1116	Rad, Seite mit einem Rad	1	37	9-100-7026	Bodenaufbau	1
2	9-100-1152	Oberes Turbinengehäuse	1	21	C131	Schubdüsensatz	1	38	9-100-1240	Oberes Gehäuse	1
3	9-100-1114	Nabenkappe	3	22	9-100-7008	Spülschlauch-Widerhakenbefestigung komplett	1	39	9-100-3008	UWH Anschlussbaueinheit	1
4	9-100-5107	E-Klammer, rostfreier Stahl	10	23	B20	Einsteilschraube, Spülschlauch	1	40	6-500-00	Universale Wandhalterung (UWH)	1
5	9-100-1108	Kugellager	8	24	B15	Spülschlauch-Befestigungsklammer	1	41	6-504-00	Filtersieb, UWH/QT	1
6	C10	Reifen, MaxTrax®	3	25	9-100-3005	Grundgewicht	1	42	6-505-00	O-Ring, UWH/QT	1
7	9-100-1008	Rad, Seite mit zwei Rädern	2	26	9-100-7170	Schlauchklammer für WKS	6	43	9-100-3009	Überdruckventil, weiss	1
8	9-100-1017	Riemensatz, klein und groß	1	27	9-100-7009	Düsenhalter	2	44	9-100-3006	Quick Trenner (QT), UWH	1
9	9-100-7011	Lagerschild	3	28	9-100-7014	Wasserkontrollsystem (WKS)	1	45	9-100-3109	Schlauchmutter	12
10	9-100-1005	Rahmen	1	29	9-100-1155	Unteres Turbinengehäuse	1	46	9-100-3102	Zuleitungsschlauch, 1,8 m	4
11	9-100-5125	Schraube, 8-32 x 1/2"	11	30	9-100-3105	Spülschlauchbürste (Sweep-Schlauchbürste)*	1	47	9-100-3002	Kippvorrichtung, Schlauch	4
12	9-100-1139	Achsblockbausatz, vorne & hinten	1	31	9-100-5132	O-Ring, Zeituhr/Zufuhrleitung	1	48	9-100-1206	Schwimmkörper, Zuleitungsschlauch	3
13	9-100-1010	Riementeiler, Übertragungsscheibe	1	32	9-100-7030	Ober- und Untergestellmontage	1	49	9-100-1200	Rücklaufventil in Leitung	1
14	9-100-3135	Beutelbefestigungsmuffe	1	33	9-100-1002	Zufuhrleitung/Zeitgeber-Steckscheibe	1	50	9-100-1202	Gehäusesatz, Rücklaufventil	1
15	9-100-1007	Übertragungsscheibe/Antriebswelle	1	34	A20	Schwimmkörper, Reinigungskopf	1	51	9-100-1213	Verschluss, Rücklaufventil	1
16	9-100-5115	Schraube, 8-32 x 3/4"	4	35	9-100-1011	Spülschlauch (Sweep-Schlauch) komplett*	1	52	9-100-1204	Mechanismus, Rücklaufventil	1
17	9-100-5130	Sicherungsring, Achse	4	36	B10	Verschleifringe*	7	53	9-100-3103	Zuleitungsschlauch, 30 cm	1
18	9-100-1132	Antriebsrädersatz mit Turbinenlager	1					54	**	Druckprüfer	1
19	9-100-1103	Turbinenlaufrad mit Lager	1								

* Verschleißteile sind nicht von der Garantie gedeckt.

Fehlerbehebung

Sollte der Polaris Reiniger des öfteren folgende Probleme zeigen, kann es sein, dass eine Neueinstellung notwendig sind, um die ursprüngliche Leistung wieder herzustellen. Für Zubehörteile siehe Explosionsdarstellung.

Vorgang: Bleibt bei Stufen oder anderen Hindernissen länger als 3-1/2 Minuten hängen.

- Lösung:
1. Umdrehungszahl der Räder überprüfen.
 2. Sicherstellen, dass das Rücklaufventil richtig durchläuft.
 3. Schub-Jet justieren.
 4. Unnötige Hardware vom Pool entfernen oder ein Leiter-Schutzkit installieren (bestellen Sie Teilenummer G21, von Ihrem Polaris Händler).

Vorgang: Der Polaris bewegt sich nur träge und läuft mit weniger Kraft als normal.

- Lösung:
1. Filtersieb in dem Quick Trenner überprüfen und wenn nötig, reinigen.
 2. Schaumlöffelkorb, Pumpenkorb und Poolfilter reinigen.
 3. Alle Schläuche, Verbindungen und Kippvorrichtungen auf Lecks, die zum Verlust von Wasserdruck führen können, überprüfen.
 4. Umdrehungszahl der Räder überprüfen.

Vorgang: Polaris saust im Pool umher.

- Lösung:
1. Umdrehungszahl der Räder überprüfen. Bei mehr als 32 Umdrehungen pro Minute lockern Sie das Überdruckventil, um den Wasserfluss zum Reiniger zu verringern.

2. Sicherstellen, dass das Rücklaufventil richtig durchläuft. Nehmen Sie das Ventil aus dem Wasser und beobachten Sie das Jet. Es sollte ein- und ausschalten.
3. Stellen Sie den 3-weg Verteiler so ein, dass der Wasserdurchfluss zum Polaris Poolreiniger reduziert wird.

Vorgang: Polaris Rücklauf funktioniert nicht.

- Lösung:
1. Sicherstellen, dass das Rücklaufventil richtig durchläuft.
 2. Umdrehungszahl der Räder überprüfen.
 3. Wenn der Beutel voll ist, bitte leeren.
 4. Wenn sich im Schwimmkopf Wasser befindet, bitte ersetzen.
 5. Stellen Sie sicher, dass der Zufuhrschlauch schwimmt.

Vorgang: Der Polaris dreht sich nur in eine Richtung.

- Lösung:
1. Schub-Jet einstellen.
 2. Wenn das Schlauchende, das an den Polaris angeschlossen ist, eine Rundung hat, soll diese mit der Rundung der Zufuhrleitung ausgerichtet werden.
 3. Stellen Sie sicher, dass sich die Kippvorrichtung von der Zufuhrleitung, frei bewegen kann.
 4. Stellen Sie sicher, dass der Zufuhrschlauch schwimmt.

Vorgang: Der Zufuhrschlauch verwickelt sich.

- Lösung:
1. Messen Sie erneut die Schlauchlänge um sicher zu stellen, dass die Länge des Schlauches für die Länge des Pools richtig ist.
 2. Mit dem Polaris in der „An“ Position, überprüfen Sie, dass sich die Kippvorrichtungen, die zum Schlauch führen und dass sich die Schlauchverbindungen frei bewegen können.
 3. Stellen Sie sicher, dass der Zufuhrschlauch schwimmt.
 4. Mit dem Polaris in der „Aus“ Position, überprüfen Sie, ob sich jedes Rad dreht. Alle Räder sollten sich gleichzeitig drehen.

Vorgang: Der Sweep-Schlauch wird in das Saugrohr gesaugt.

- Lösung:
1. Stellen Sie sicher, dass das Ende des Sweep-Schlauches nicht von der Sweep-Schlauchbürste blockiert wird.
 2. Der Sweep-Schlauch soll so eingestellt sein, dass er sich mühelos und ungehindert hin und her bewegen kann.

Vorgang: Der Sweep-Schlauch sprüht ständig Wasser aus dem Pool.

- Lösung:
1. Sweep-Schlauch Geschwindigkeit einstellen, indem Sie die justierbaren Schrauben anziehen.
 2. Ersetzen Sie die Sweep-Schlauchbürste (Teile Nr. 9-100-3105), wenn sie abgenutzt ist oder wenn sie fehlt.
 3. Fügen Sie ein Sweep-Schlauch Gewicht hinzu

(Teile Nr. B2 bestellen), um zu vermeiden, dass der Sweep-Schlauch Wasser aus dem Pool sprüht.

Vorgang: Der Reiniger reinigt nicht den gesamten Pool.

- Lösung:
1. Stellen Sie sicher, dass der Schlauch bis auf 15,2 cm zum entferntesten Ende des Pools reicht. Sollte das nicht der Fall sein, dann bestellen Sie einen Zusatzschlauch von Ihrem Polaris Händler und befestigen Sie ihn an das erste Schlauchstück.
 2. Überprüfen Sie ob das Schub-Jet auf 11 Uhr steht, um die Drehungen zu optimieren.
 3. Halten Sie den Reiniger, während er läuft, mit der Unterseite nach oben gerichtet und schauen Sie in das Vakuumrohr hinein. Es sollen dort drei deutlich sichtbare Wasserstrahlen laufen. Sollte das nicht der Fall sein, dann setzen Sie sich bitte mit Ihrem Kundendienst oder mit einem von Polaris genehmigten Service Center in Verbindung.

Vorgang: Der Reiniger liegt auf der Seite und dreht sich im Kreis.

- Lösung:
1. Der Filterbeutel ist voll und zieht den Reiniger auf einer Seite nach unten.
 2. Entfernen Sie den Schwimmkopf und schütteln Sie ihn. Wenn sich in dem Schwimmkopf Wasser befindet, müssen Sie einen neuen bestellen.
 3. Der Zufuhrschlauch soll eben auf der Oberfläche des Pools schwimmen.

Información importante

- Los sistemas de calefacción solar, los generadores de ozono y otros equipos inductores de aire pueden provocar el paso de aire a través del limpiador, afectando de manera adversa el equilibrio y rendimiento del mismo. Coloque la tubería de limpieza especializada aguas arriba de estos componentes.
- El agua con alto contenido de cloro puede causar problemas de mantenimiento. Evite hacer funcionar el limpiador Polaris mientras realiza un tratamiento con cloro.
- Desconecte siempre el Polaris de la pared de la piscina cuando limpie o lave el filtro en contracorriente.
- Después de limpiar o lavar el filtro en contracorriente, deje que le el sistema de filtración funcione al menos durante cinco minutos antes de volver a conectar el Polaris.
- Si la tubería del agua es nueva, debiera purgarse antes de instalar el Polaris.
- El Polaris no debiera utilizarse para aspirar el polvo de yeso en las piscinas nuevas.
- Quite siempre el Polaris antes de que los nadadores entren en la piscina.
- A excepción de cuando compruebe las revoluciones de la rueda, no toque el Polaris mientras esté funcionando.
- Retire siempre el Polaris de la piscina antes de efectuar un tratamiento químico intensivo del agua.

Atención a clientes o apoyo técnico:

- Envíe inmediatamente por correo la tarjeta de garantía.
- Para apoyo técnico en línea: www.polarispool.com.
- Para comunicarse con Polaris:

US and Canada

Customer Service
2620 Commerce Way
Vista, CA 92081-8438
1-800-822-7933

Polaris Vac-Sweep® 360 Garantía

Ud. ha elegido la marca Polaris Vac-Sweep 360 y le agradecemos su confianza. Este producto se ha diseñado, fabricado y controlado con el mayor esmero para proporcionarle plena satisfacción

La garantía es válida para 2 años a partir de la fecha de facturación al primer usuario.

ADVERTENCIA: USO DEL POLARIS 360 EN UNA PISCINA REVESTIDA DE VINILO

Los dibujos en algunos revestimientos de vinilo son especialmente susceptibles a desgaste superficial o borrado del dibujo, como resultado de que entren en contacto con la superficie vinílica determinados objetos, tales como cepillos, juguetes de piscina, flotadores, fuentes, surtidores de cloro y limpiafondos automáticos. Los dibujos de algunos revestimientos de vinilo pueden rayarse o rasgarse de manera considerable simplemente al rozar la superficie con un cepillo de piscina. También puede borrarse la tinta del dibujo durante la instalación o al entrar en contacto con objetos en la piscina. Polaris no asume responsabilidad alguna por el borrado del dibujo o el rayado o rasgado del revestimiento de vinilo, ni la garantía limitada cubre estas contingencias.

Introducción

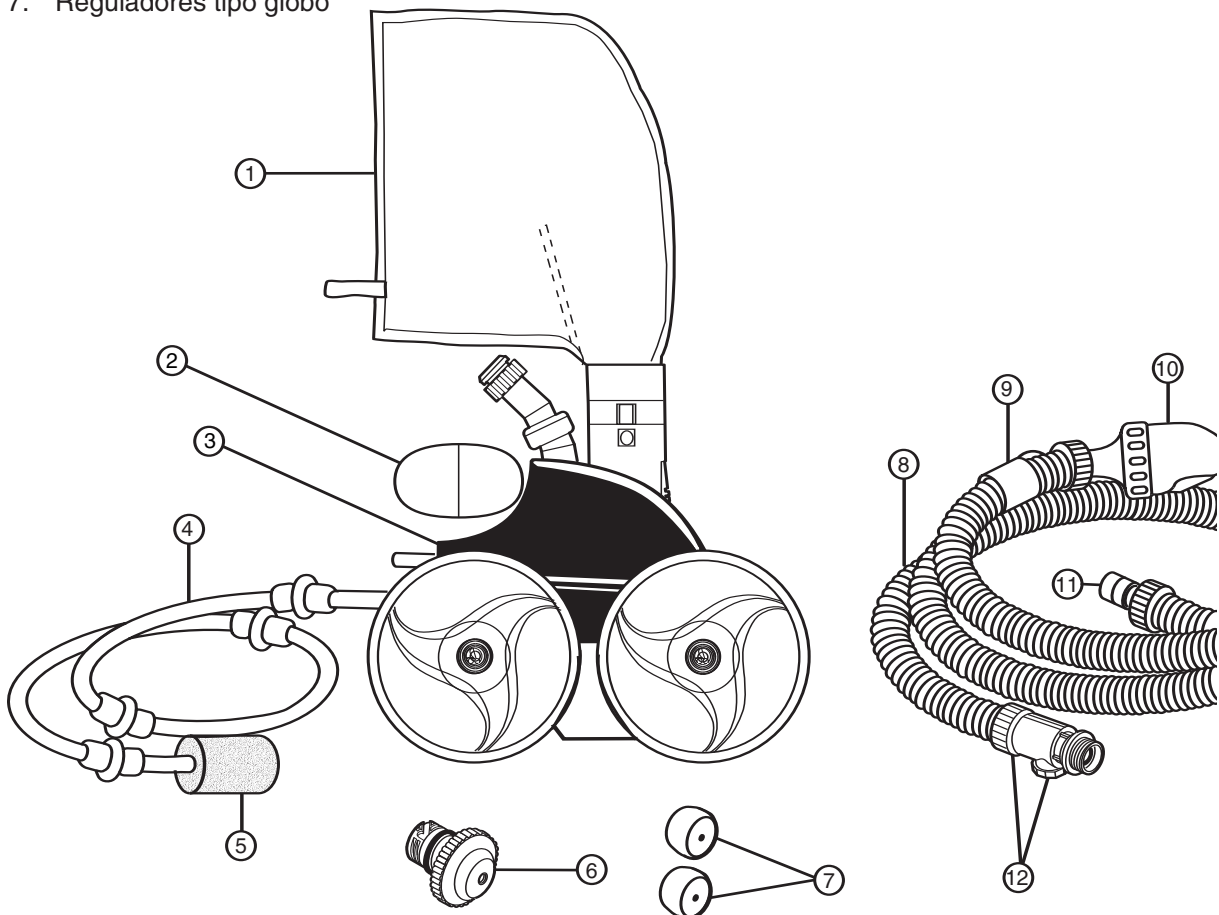
Reciba nuestras felicitaciones por la compra de su nuevo limpiafondos automático y gracias por preferir Polaris. El diseño del limpiafondos Polaris Vac-Sweep 360® le brindará muchos años de servicio confiable y eficiente.

Al igual que muchos dispositivos mecánicos, el Polaris requiere de ajustes y mantenimiento periódico, así como la reposición eventual de algunas piezas de uso muy intensivo. Asegúrese de que el Polaris sea revisado ocasionalmente por su distribuidor local de Polaris o por un centro de servicio autorizado.

Siempre insista en genuinas piezas de repuesto Polaris. Las piezas de otras marcas no están fabricadas a nuestras especificaciones. Podrían afectar adversamente el funcionamiento de su Polaris y hasta dañarlo.

Limpiafondos completo Polaris 360

1. Bolsa multipropósito
2. Flotador del cabezal
3. Cuerpo del limpiafondos
4. Manguera barredora
5. Restregador de la manguera barredora
6. Repuesto tipo globo
7. Reguladores tipo globo
8. Manguera alimentadora
9. Flotadores de la manguera
10. Válvula de retroceso
11. Comprobador de presión
12. Desconector rápido con conector universal de pared (CUP)



Instrucciones para la instalación rápida

Cuatro pasos rápidos para instalar y obtener el máximo rendimiento del Polaris 360:

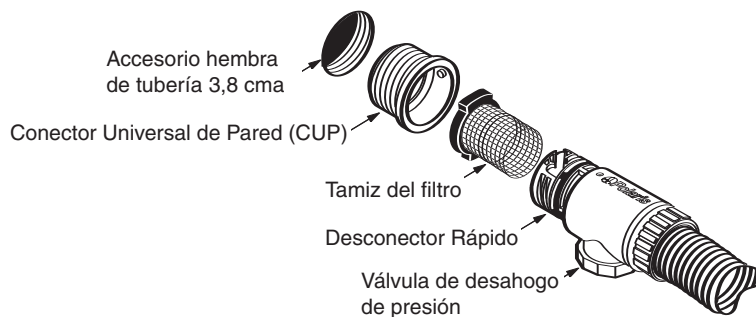
- Instale el conector universal de pared (CUP) con el desconector rápido y los reguladores tipo globo
- Pruebe y ajuste la presión del agua
- Ajuste la manguera alimentadora de acuerdo con la extensión de la piscina
- Verifique las RPM (revoluciones por minuto) de la rueda

1

Instale el conector universal de pared

El conector universal de pared (CUP) se instala en minutos en piscinas que cuenten con línea exclusiva de retorno para la limpieza y un accesorio hembra de tubería 1-1/2 pulgadas (3,8 cm) con rosca.

1. Encienda la bomba de filtración y purgue la tubería. Apague la bomba.
2. Desenrosque el CUP del desconector rápido y enrósquelo en la abertura de retorno.
3. Gire el desconector rápido en el sentido horario para que entre en el CUP y tire hacia afuera para asegurarlo.



Instale los reguladores tipo globo

Si la piscina tiene más de una línea de retorno, instale los reguladores tipo globo para asegurar que la presión del agua sea suficiente para que funcione el Polaris 360.

Al retirar el Polaris 360 de la piscina, use el repuesto tipo globo con desconector rápido para restaurar la circulación adecuada del agua.



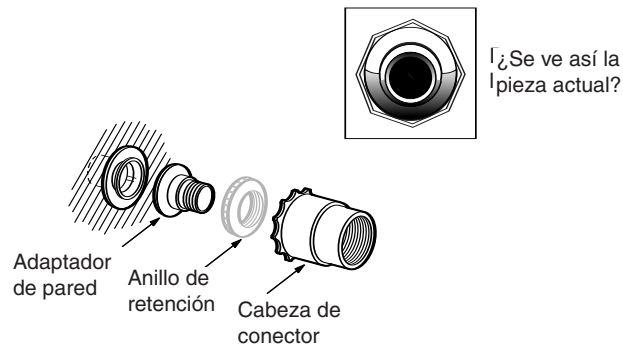
Para adaptar un tubo de retorno de 1-1/4 pulgada (3,2 cm) o de 2 pulgadas (5 cm), utilice el CUP juego adaptador Polaris que se incluye con su limpiador.

Si se encuentran instalados correctamente el CUP y los reguladores tipo globo, PASE DIRECTAMENTE al Paso 2. De lo contrario, vea la sección a continuación sobre la instalación de otras conexiones de la piscina.

Instalación de otras conexiones de la piscina

Si la piscina no cuenta con una línea de retorno exclusiva, el Polaris 360 puede conectarse, en la mayor parte de los casos, a una línea de retorno común, utilizando un conjunto adaptador que puede comprarse con un distribuidor Polaris participante.

Para acopladuras direccionales tipo globo, que al extraerse no cuentan con boquilla roscada de 3,8 cm, solicite el conjunto adaptador para conexión tipo globo (pieza 9-100-8005).



Estas son las conexiones más comunes en las piscinas, pero no todas las conexiones posibles.

Si aún así no pueden instalarse en la piscina los reguladores tipo globo y el CUP, comuníquese con su distribuidor o con la oficina de Polaris de atención al cliente para determinar qué piezas puedan ser necesarias.

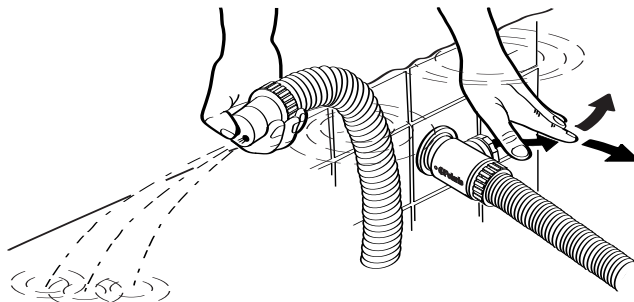
Otras conexiones que requieren aditamentos especiales

Si se conecta una tina de hidromasaje al equipo de filtración de la piscina, será necesario obtener reguladores de expansión, además de uno de los conjuntos señalados en la sección anterior. Comuníquese con su distribuidor o con la oficina de Polaris de atención al cliente para determinar qué piezas puedan ser necesarias.

2

Pruebe y ajuste la presión de agua

El Polaris se entrega con un comprobador de presión ya instalado en la manguera. Simplemente sujete la manguera a la pared de la piscina, utilizando para ello el desconector rápido. Encienda la bomba, tape el agujero grande con el dedo pulgar y confirme que la válvula de desahogo de presión suelta agua.



Si la válvula de desahogo no suelta agua, la presión del agua es insuficiente para que funcione el limpiabederos Polaris.

- Inspeccione el tamiz del filtro en el desconector rápido para ver si contiene suciedad que restrinja la cantidad de agua.
- Limpie el skimmer, el filtro y la cesta de la bomba, quitando basura que restrinja la cantidad de agua que llega al limpiabederos.
- Inspeccione las mangueras, conexiones y rótulas en busca de fugas que pudieran reducir la presión del agua.
- Si el limpiabederos se encuentra conectado a una línea de retorno exclusiva, ajuste el desviador de tres vías con objeto de aumentar la cantidad de agua que llega al limpiabederos.

3

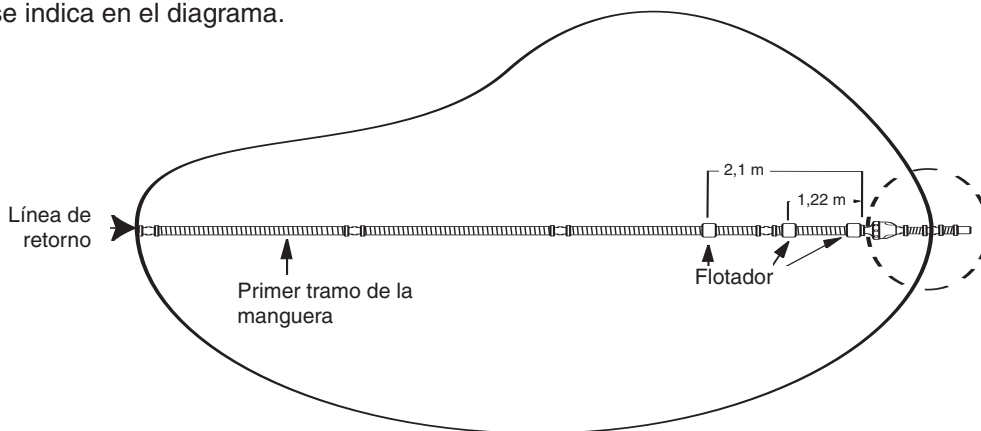
Ajuste la manguera alimentadora al tamaño de la piscina

Con la manguera conectada a la pared de la piscina en la tubería de retorno, sostenga bajo el agua la manguera alimentadora y prenda la bomba de la piscina. Extienda la manguera hasta el punto más alejado de la piscina. El extremo de la manguera debe quedar entre 15 cm antes de este punto y 15 cm más allá de este punto, según se muestra en el círculo punteado del dibujo.

¿Resulta demasiado larga la manguera? Corte el excedente del primer tramo y vuelva a conectar los tramos.

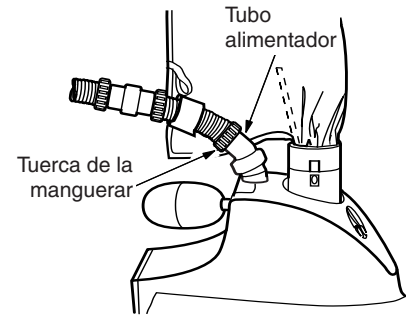
¿Queda corta la manguera? Compre un tramo adicional de manguera y añádalo al primer tramo.

Una vez ajustado la extensión de la manguera, coloque los tres flotadores de la manguera como se indica en el diagrama.



Arme el limpiafondos

1. Quite el comprobador de presión, desenroscando la tuerca de la manguera y tirando de la manguera.
2. Use la tuerca del comprobador de presión para sujetar la manguera al cuerpo del limpiafondos en el tubo alimentador.
3. La bolsa del filtro se encuentra en el área del collarín del cuerpo del limpiafondos. Saque la bolsa y, a presión, sujete el collarín de la bolsa a la manguera alimentadora.
4. Introduzca el flotador de la cabeza por completo, contra el limpiafondos.
5. Coloque el Polaris en la piscina y encienda la bomba de filtración de la piscina.

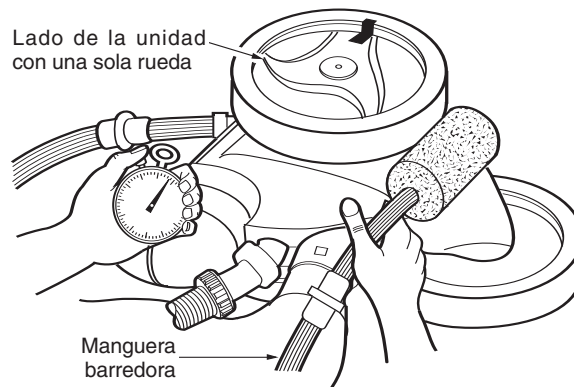


4

Compruebe las RPM de la rueda

Antes de usar el Polaris, asegúrese de que la rueda gire a las revoluciones por minuto (RPM) correctas. Para lograr la máxima eficiencia, el Polaris debiera funcionar entre 28 y 32 RPM.

1. Marque el neumático del lado del limpiafondos que tiene una sola rueda.
2. Encienda la bomba, sostenga el limpiafondos debajo del agua y cuente las revoluciones de la rueda durante un minuto.
3. La velocidad **óptima es de entre 28 y 32 RPM.**



Si gira a menos de 28 RPM:

- Vea si hay suciedad en el tamiz del filtro en el desconector rápido.
- Limpie el skimmer, el filtro y la cesta de la bomba.
- Inspeccione las mangueras, conexiones y rótulas en busca de fugas.
- Si el limpiafondos se encuentra conectado a una línea de retorno exclusiva, ajuste el desviador de tres vías para aumentar la cantidad del agua que llega al limpiafondos.

Si gira a más de 32 RPM, desenrosque la válvula de desahogo de presión hasta alcanzar las RPM deseadas. Si se ha instalado una válvula ajustable, ajústela para reducir la cantidad de agua que llega al Polaris.

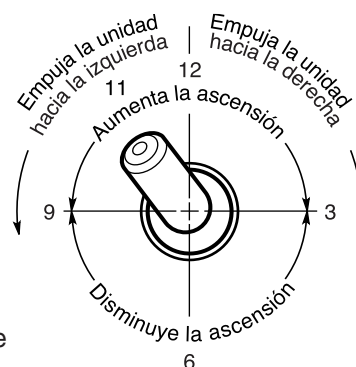
Ajustes menores del limpiafondos Polaris

Al funcionar correctamente, el Polaris aspira, barre y restrega, al azar, todas las superficies de la piscina. La habilidad de escalar del Polaris depende de la configuración de la piscina y de la presión o cantidad del agua. El Polaris sube mejor en piscinas sin curvas o ángulos pronunciados entre el fondo de la piscina y las paredes.

Aproximadamente cada 3-1/2 minutos, el Polaris 360 entra en reversa. Esta acción aleja el Polaris de obstáculos en la piscina.

Ajuste del chorro impulsor

El chorro impulsor determina la dirección del Polaris. La posición fijada en la fábrica corresponde a lo que equivaldría a las 11 en las manecillas de un reloj, pero otras posiciones podrían resultar útiles, según la configuración de la piscina.



Ajuste de la manguera barredora

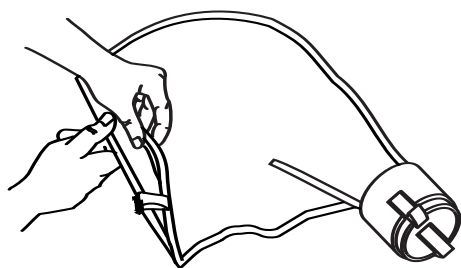
La manguera barredora debiera moverse en una forma de barrido suave. Para disminuir su movimiento, gire el tornillo de ajuste de la manguera barredora en el sentido horario.

Para ajustar otros movimientos, consulte la sección sobre resolución de problemas.

Mantenimiento periódico

Limpieza de la bolsa del filtro

Desprenda la bolsa, aflojando las lengüetas que la sujetan y quitando el lazo del cuello que sujeta la manguera alimentadora. Abra la bolsa y deseche la suciedad.



- Siempre que sea posible, vacíe la bolsa del filtro cuando se encuentre medio llena, sobre todo si contiene arena.
- Es más fácil vaciar la bolsa del filtro cuando está seca. Alterne entre dos bolsas. Cuando una se llena, quítela y coloque la bolsa limpia..

Lavado del filtro de la piscina

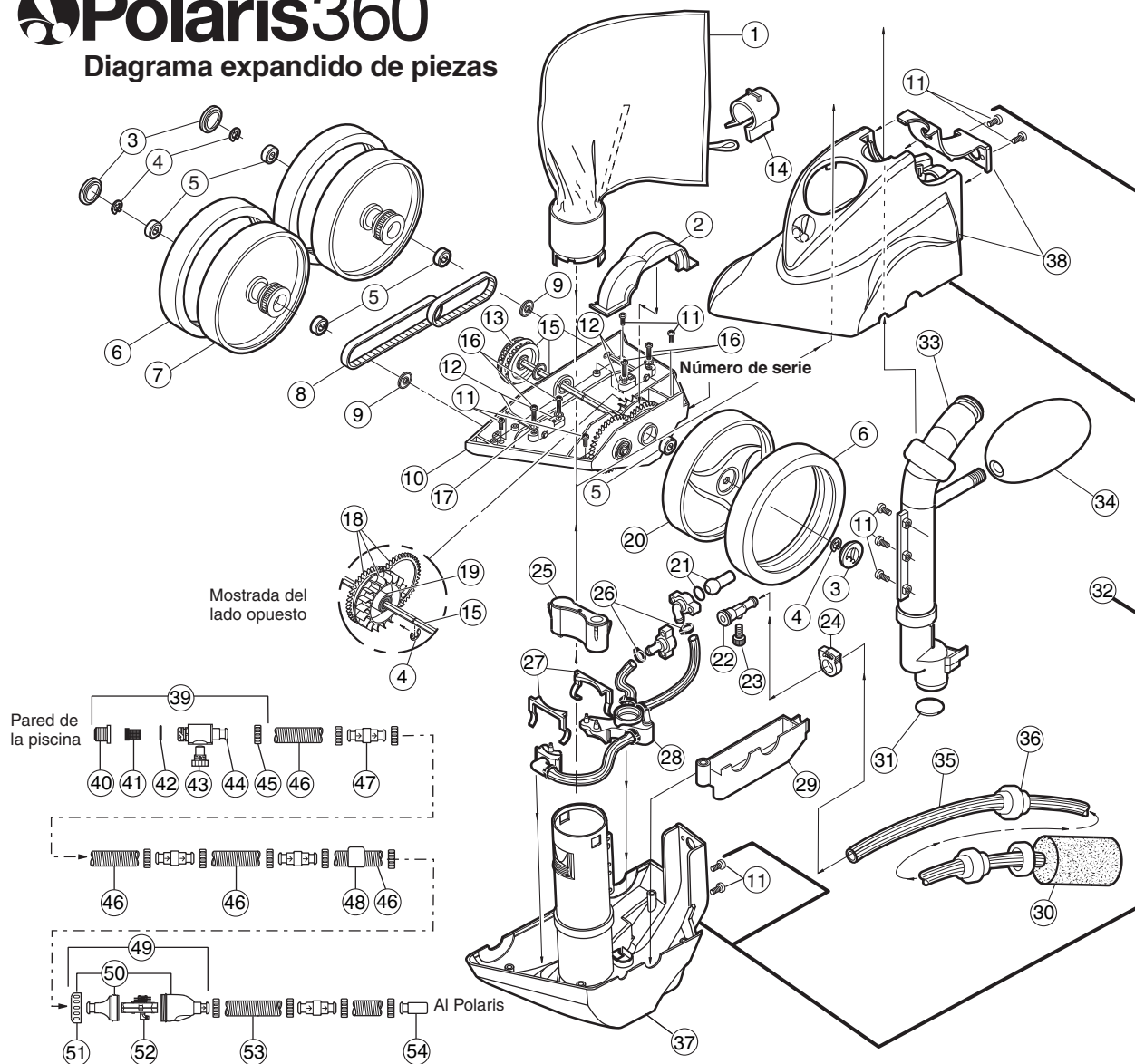
Siempre desconecte el Polaris de la pared de la piscina antes de limpiar o lavar en contracorriente el filtro. Después de limpiarlo o lavarlo, deje que funcione el sistema de filtración al menos durante cinco minutos para purgar plenamente las líneas de retorno, antes de volver a conectar el Polaris.

Almacenaje y preparación para el invierno

Nunca guarde el Polaris exponiéndolo a los rayos directos del Sol. Antes de almacenar el Polaris para el invierno, drene todo el agua del Polaris (La garantía no cubre daños por congelación). Quite el conector universal de pared (CUP) de la pared de la piscina, colocando el desconector rápido y tirando con presión para desenroscarlo. En algunos casos, podría ser necesario utilizar la herramienta para quitar el CUP (pieza 10-102-00), que puede obtener de su distribuidor Polaris participante.

Polaris360

Diagrama expandido de piezas



No.	No. pieza	Descripción	Cant.	No.	No. pieza	Descripción	Cant.	No.	No. pieza	Descripción	Cant.
1	9-100-1014	Bolsa de usos múltiples*	1	19	9-100-1103	Rueda de turbina con cojinete	1	35	9-100-1011	Manguera barredora, completa*	1
2	9-100-1152	Tapa superior de la turbina	1	20	9-100-1116	Rueda, lado sencillo	1	36	B10	Anillos de desgaste*	7
3	9-100-1114	Tapacubos	3	21	C131	Conjunto del chorro impulsor	1	37	9-100-7026	Conjunto de base	1
4	9-100-5107	Abrazadera, acero inoxidable	10	22	9100-7008	Conexión arponada de manguera barredora, completa	1	38	9-100-1240	Carcasa superior	1
5	9-100-1108	Cojinete	8	23	B20	Tornillo de ajuste, manguera barredora	1	39	9-100-3008	Conjunto del conector CUP	1
6	C10	Neumático, MaxTrax*	3	24	B-15	Abrazadera de manguera barredora	1	40	6-500-00	Conector universal de pared (CUP)	1
7	9-100-1008	Rueda, lado doble	2	25	9-100-3005	Pesa de base	1	41	6-504-00	Tamiz del filtro, CUP y DR	1
8	9-100-1017	Juego de bandas, pequeña y grande	1	26	9-100-7170	Abrazadera de la manguera para el SCA	6	42	6-505-00	Anillo en forma de O, CUP y DR	1
9	9-100-7011	Cojinete de escudo	3	27	9-100-7009	Retén del chorro	2	43	9-100-3009	Válvula de desahogo de presión, blanca	1
10	9-100-1005	Armazón	1	28	9-100-7014	Sistema de control de agua (SCA)	1	44	9-100-3006	Desconector rápido (DR), CUP	1
11	9-100-5125	Tornillo, 8-32 x 1/2"	11	29	9-100-1155	Tapa inferior de turbina	1	45	9-100-3109	Tuerca de manguera	12
12	9-100-1139	Montaje de soporte de eje, delantero y posterior	1	30	9-100-3105	Restregador de la manguera barredora*	1	46	9-100-3102	Manguera alimentadora, 1,8 m	4
13	9-100-1010	Separador de las bandas, polea	1	31	9-100-5132	Anillo espaciador y tubería de alimentación	1	47	9-100-3002	Conexión giratoria, manguera	4
14	9-100-3135	Cuello, lazo de bolsa	1	32	9-100-7030	Conjunto de tapa y base	1	48	9-100-1206	Flotador, manguera alimentadora	3
15	9-100-1007	Polea de transferencia y eje impulsor	1	33	9-100-1002	Tubo alimentador y pieza espaciadora	1	49	9-100-1200	Válvula de retroceso en línea	1
16	9-100-5115	Tornillo, 8-32 x 3/4"	4	34	A20	Flotador, cabeza	1	50	9-100-1202	Juego de estuche, válvula de retroceso	1
17	9-100-5130	Arandela de cierre, soporte del eje	4					51	9-100-1213	Collarín, válvula de retroceso	1
18	9-100-1132	Conjunto de engranajes de transmisión con cojinete de turbina	1					52	9-100-1204	Mecanismo, válvula de retroceso	1
								53	9-100-3103	Manguera alimentadora, 30 cm	1
								54	**	Comprobador de presión	1

* Los componentes sujetos a desgaste no quedan comprendidos por la garantía.

Resolución de problemas

Si el limpiafondos Polaris muestra cualquiera de las siguientes acciones, podrían resultar necesarios algunos ajustes para lograr el máximo rendimiento. Consulte el diagrama detallado de las piezas para obtener las referencias de éstas.

Acción: Se atasca más de 3-1/2 minutos en los escalones u otros obstáculos.

- Solución:
1. Compruebe las RPM de la rueda.
 2. Verifique que la válvula de retroceso esté ciclando.
 3. Ajuste el chorro impulsor.
 4. Retire de la piscina los aditamentos innecesarios o instale placas protectoras para escalerilla (Pida de un distribuidor Polaris la pieza G-21).

Acción: El Polaris se muestra muy lento, con menos potencia que lo normal.

- Solución:
1. Inspeccione el tamiz del filtro en el desconector rápido y, de ser necesario, límpielo.
 2. Limpie la cesta del skimmer, la cesta de la bomba y el filtro de la piscina.
 3. Inspeccione todas las mangueras, conexiones y rótulas para ver si hay fugas que pudieran provocar una pérdida de presión del agua.
 4. Compruebe las RPM de la rueda.

Acción: El Polaris corre por la piscina a velocidad excesiva.

- Solución:
1. Compruebe las RPM de la rueda. Si exceden de 32 RPM, desenrosque la válvula de desahogo de presión para reducir la cantidad de agua que llega al limpiafondos.

2. Verifique que la válvula de retroceso esté ciclando. Sostenga la válvula fuera del agua y observe el chorro. Debe salir y desaparecer en forma intermitente.
3. Ajuste el desviador de tres vías para reducir la cantidad de agua que llega al limpiafondos Polaris.

Acción: El Polaris no retrocede.

- Solución:
1. Verifique que la válvula de retroceso esté ciclando.
 2. Compruebe las RPM de la rueda.
 3. Si la bolsa se encuentra llena, vacíela.
 4. Si el flotador de la cabeza tiene agua, reemplácelo.
 5. Asegúrese que la manguera alimentadora esté flotando.

Acción: El Polaris gira siempre en el mismo sentido.

- Solución:
1. Ajuste el chorro impulsor.
 2. Si el extremo de la manguera que se conecta al Polaris muestra una curva, alinéelo con la curva del tubo alimentador.
 3. Asegúrese que la rótula en el tubo alimentador gire libremente.
 4. Asegúrese que la manguera alimentadora esté flotando.

Acción: La manguera alimentadora se atasca.

- Solución:
1. Vuelva a medir la manguera para verificar que se ha ajustado al tamaño correcto, de acuerdo con la configuración de la piscina.
 2. Con el Polaris funcionando, verifique que las rótulas en la manguera y las conexiones de la manguera giran libremente.
 3. Asegúrese que la manguera alimentadora esté flotando.
 4. Con el Polaris apagado, haga girar cada una de las ruedas. Todas deben girar al mismo tiempo.

Acción: La manguera barredora es succionada por el tubo de aspiración.

- Solución:
1. Verifique que el restregador no ha obstruido la abertura al final de la manguera barredora.
 2. Ajuste la manguera barredora hasta lograr movimientos amplios y suaves.

Acción: La manguera barredora constantemente rocía agua fuera de la piscina.

- Solución:
1. Ajuste la velocidad de la manguera barredora, apretando el tornillo de ajuste.
 2. Reemplace el restregador de la manguera barredora (pieza 9-100-3105) si falta o se encuentra desgastado.
 3. Agregue una pesa para la manguera barredora (pida la pieza B-2) para impedir que la manguera rocíe agua.

Acción: El limpiafondos no limpia toda la piscina.

- Solución:
1. Verifique que la extensión de la manguera quede dentro de 15 cm del punto más alejado de la piscina. Si no es así, pida un nuevo tramo de manguera de su distribuidor Polaris y añádalo al primer tramo de la manguera.
 2. Verifique que el chorro impulsor se encuentre en la posición equivalente a las 11 horas de un reloj, ya que esta posición es la ideal para que la manguera gire al azar.
 3. Sostenga el limpiafondos boca abajo mientras se encuentre funcionando e inspeccione el tubo de vacío. Deben verse claramente tres chorros parejos de agua. De lo contrario, comuníquese con la oficina de atención a clientes o con un centro de servicio autorizado de Polaris.

Acción: El limpiafondos está de lado, girando en círculos.

- Solución:
1. La bolsa del filtro se encuentra llena y sobrecarga el limpiafondos de un lado.
 2. Quite el flotador de la cabeza y sacúdalo. Si el flotador tiene agua, pida flotador nuevo.
 3. La manguera alimentadora debe flotar equilibradamente sobre la superficie del agua.

Informazioni importanti

- I sistemi di riscaldamento solare, gli ozonizzatori e altre apparecchiature di aspirazione dell'aria possono produrre un flusso d'aria attraverso il dispositivo di pulizia con effetto negativo sul suo equilibrio e sulle sue prestazioni. Collegare all'impianto la tubatura dedicata del dispositivo di pulizia a monte di questi componenti.
- L'acqua fortemente clorurata può causare problemi di manutenzione. Evitare di usare il Polaris durante la clorazione.
- Scollegare sempre il Polaris dalla parete della piscina quando si pulisce o si lava il suo filtro.
- Dopo avere pulito o lavato il filtro, lasciare che l'impianto di filtrazione funzioni per almeno cinque minuti prima di ricollegare il Polaris.
- Le tubature nuove devono essere lavate a fondo prima di installare il Polaris.
- Il Polaris non va utilizzato per rimuovere la polvere dell'intonaco di una piscina nuova.
- Togliere sempre il Polaris dalla piscina prima che vi entrino i bagnanti.
- Non maneggiare mai il Polaris quando è in funzione a meno che non si debba controllare l'RPM (numero di giri al minuto) delle ruote.
- Togliere sempre il Polaris dalla piscina prima di trattare l'acqua con agenti chimici.

Per assistenza clienti o supporto

- Si prega di inviare immediatamente la cartolina della garanzia
- Per supporto on-line www.polarispool.com
- Per contattare la Polaris:

US and Canada

Customer Service
2620 Commerce Way
Vista, CA 92081-8438
1-800-822-7933

Polaris Vac-Sweep® 360 Garanzia

Lei ha scelto la marca Polaris Vac-Sweep 360 e noi perciò la ringraziamo per la sua fiducia. Questo prodotto è stato ideato, prodotto e controllato con la massima cura per garantirne la completa soddisfazione.

La durata della garanzia è fissata ad 2 annos a partire dalla data di fatturazione al primo utente.

AVVERTENZA: USO DEL POLARIS IN UNA PISCINA CON RIVESTIMENTO IN VINILE

Certi rivestimenti in vinile hanno dei disegni che sono particolarmente suscettibili a usura superficiale rapida o a cancellazione del disegno causati dal contatto con vari oggetti, compreso spazzole, giocattoli acquatici, galleggianti, fontane, distributori per la clorazione e dispositivi automatici per la pulizia di piscine. I disegni di alcuni rivestimenti in vinile possono venire seriamente danneggiati con graffiature semplicemente strofinando la superficie con una spazzola per piscine. L'inchiostro del disegno può anche cancellarsi durante l'installazione o quando viene a contatto di oggetti posti nella piscina. La Polaris non assume responsabilità per la cancellazione, abrasione o segnatura di un rivestimento in vinile e tali danni non sono coperti dalla garanzia limitata.

Introduzione

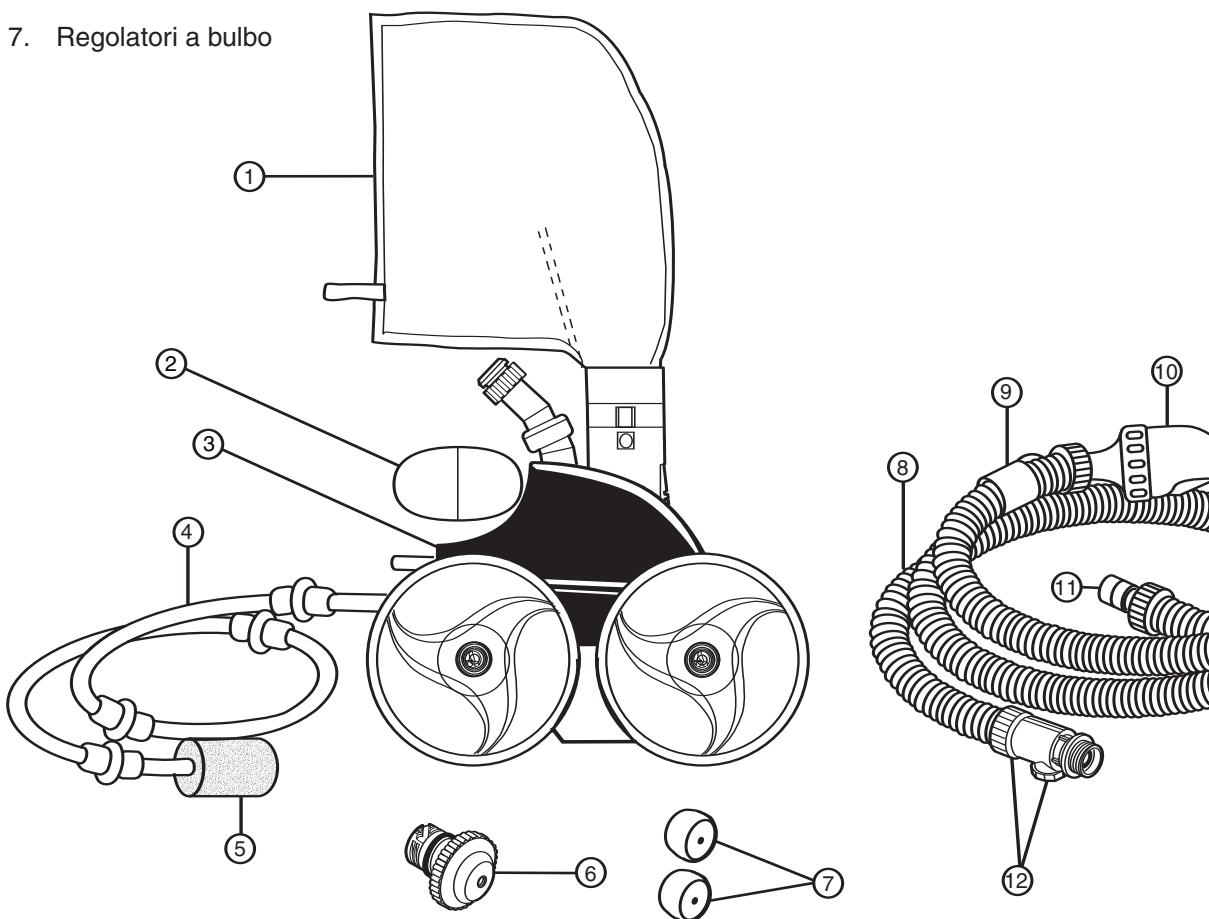
Congratulazioni per l'acquisto di un nuovo dispositivo di pulizia automatica per piscine e grazie di avere scelto un Polaris. Il Polaris Vac-Sweep® 360 è stato progettato per fornire anni di servizio affidabile ed efficiente.

Come tutti i dispositivi meccanici, il Polaris richiede regolazioni periodiche, una manutenzione regolare e la sostituzione di certe parti sottoposte a lavoro pesante. Accertarsi che il Polaris venga controllato di tanto in tanto da parte del rivenditore Polaris locale o di un centro di servizio autorizzato.

Richiedere sempre che vengano usate parti di ricambio originali Polaris. Pezzi di ricambio di altre marche non sono prodotti secondo le specifiche della fabbrica. Tali pezzi possono influire in modo negativo sulle prestazioni del Polaris e possono anche danneggiarlo.

Il dispositivo di pulizia completo Polaris 360

1. Sacco multiuso
2. Galleggiante di testa
3. Corpo del dispositivo di pulizia
4. Tubo flessibile di pulizia
5. Spazzola del tubo flessibile di pulizia
6. Bulbo di ricambio
7. Regolatori a bulbo
8. Tubo flessibile di alimentazione
9. Galleggianti dei tubi flessibili
10. Valvola di rigurgito
11. Dispositivo di test della pressione
12. Dispositivo di sconnessione rapida con raccordo a parete universale



Istruzioni per una rapida installazione

Il Polaris 360 può essere installato in quattro fasi veloci che consentono di realizzare il massimo delle sue prestazioni.

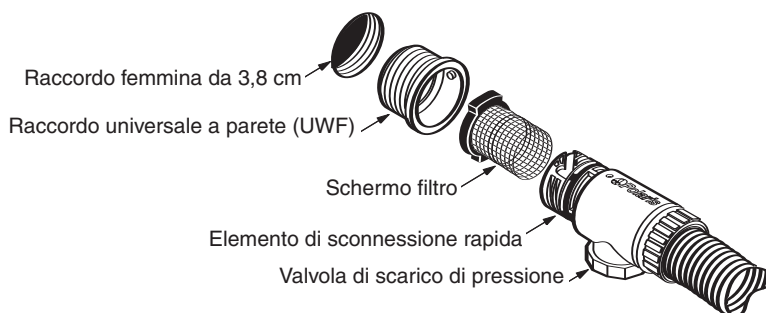
- Installare il raccordo a parete universale (UWF) con il dispositivo di sconnessione rapida e con i regolatori a bulbo
- Sottoporre a prova e regolare la pressione dell'acqua
- Regolare la lunghezza del tubo di alimentazione in modo da adattarsi alle dimensioni della piscina
- Controllare che l'RPM (numero di giri al minuto) sia corretto

1

Installazione del raccordo a parete universale

Si installa nel giro di pochi minuti nelle piscine dotate di linea di ritorno dedicate per il dispositivo di pulizia e di un raccordo filettato femmina da 1 pollice e 1/2 (3,8 cm).

1. Accendere la pompa di filtraggio della piscine e lavare a fondo la tubatura. Spegnerne la pompa.
2. Togliere l'UWF dal dispositivo di sconnessione rapida e avvitarlo sulla bocca del ritorno.
3. Inserire il dispositivo di sconnessione rapida nell'UWF girando in senso orario e tirare verso di sé per fissare.



Installazione dei regolatori a bulbo

Se la piscina è dotata di più di una linea di ritorno, installare i regolatori a bulbo per garantire che la pressione idrica della piscina sia sufficiente a far funzionare il Polaris 360.

Per ripristinare la circolazione corretta dell'acqua quando il Polaris 360 viene tolto dalla piscina, usare il bulbo di ricambio con il raccordo di sconnessione rapida.



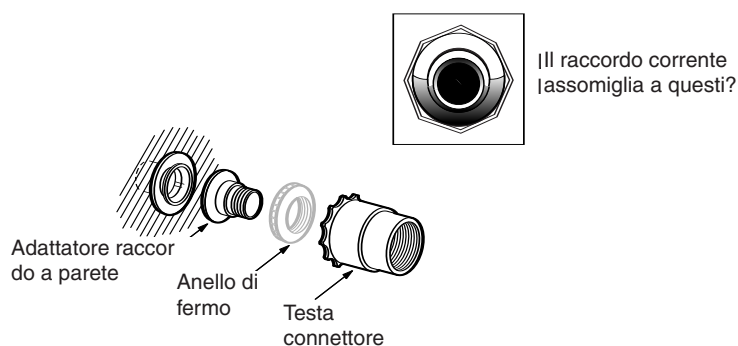
Usare il UWF Kit adattatore Polaris in dotazione al dispositivo di pulizia per adattarsi a una linea di ritorno da 1 pollice e 1/4 (3,2 cm) o 2 pollici (5 cm).

Se l'installazione del raccordo a parete universale e dei regolatori a bulbo è riuscita bene, **PASSARE** alla fase 2. In caso contrario, vedere **Installazione di altre connessioni della piscina**.

Installazione di altre connessioni della piscina

Se la piscina non ha una linea di ritorno dedicata, il Polaris 360 può essere collegato a praticamente tutti i tipi più comuni di linea di ritorno usando kit di adattamento disponibili per l'acquisto presso i rivenditori Polaris.

Ordinare il kit connessione adattatore a bulbo (parte n. 9-100-8005) per raccordi a bulbo direzionali che quando vengono rimossi non hanno un bicchiere filettato da 3,8 cm.



Questi sono i più comuni ma non sono tutti i tipi di connessione per piscina possibili.

Se l'UWF e i regolatori a bulbo non possono ancora essere installati nella piscina, mettersi in contatto con il rivenditore locale o con l'assistenza clienti di Polaris per determinare quale sia la parte necessaria per l'installazione.

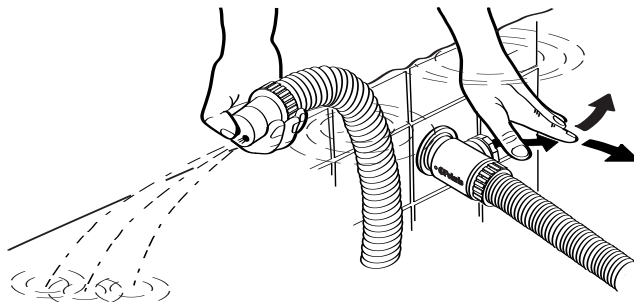
Altre connessioni che richiedono raccordi speciali

Se c'è una vasca per idromassaggio collegata all'impianto di filtrazione della piscina, ottenere i regolatori di espansione oltre ai kit elencati sopra. Mettersi in contatto con un rivenditore o con l'assistenza tecnica per determinare quale parte sia necessaria.

2

Prova e regolazione della pressione dell'acqua

Il Polaris è fabbricato con un dispositivo di prova della pressione dell'acqua montato sul tubo flessibile. Basta collegare il tubo alla parete della piscina usando il raccordo di sconnessione rapida. Accendere la pompa, coprire il foro grande con il pollice e controllare se l'acqua fuoriesce dalla valvola di sfogo dell'acqua.



Se l'acqua non fuoriesce dalla valvola di sfogo dell'acqua, la pressione è sufficiente per far funzionare il dispositivo di pulizia per piscine Polaris.

- Controllare il filtro nel dispositivo di sconnessione rapida per controllare che non ci siano detriti che possono influire il libero deflusso dell'acqua.
- Pulire lo skimmer, il filtro e il cestello della pompa, rimuovendo ogni detrito che potrebbe ostruire il libero deflusso dell'acqua.
- Controllare i tubi flessibili, le connessioni e gli snodi per accertarsi che non ci siano perdite che potrebbero causare una perdita di pressione dell'acqua.
- Se il dispositivo di pulizia è collegato a una linea di ritorno dedicata, regolare il divertitore a 3 vie in modo da aumentare la portata dell'acqua.

3

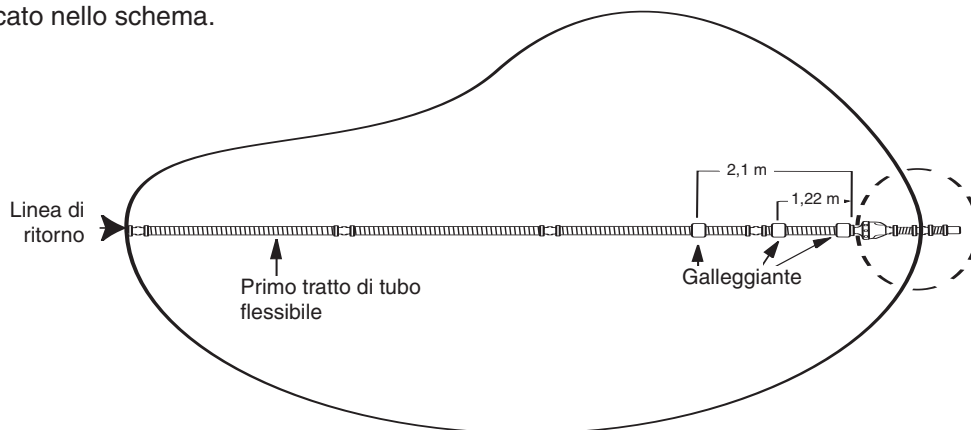
Regolazione della lunghezza del tubo di alimentazione in modo che si adatti a quella della piscina

Tenere sott'acqua il tubo flessibile mentre è collegato alla parete della piscina in corrispondenza della linea di ritorno e accendere la pompa della piscina. Estendere il tubo sino a raggiungere il punto più lontano della piscina. L'estremità del tubo flessibile deve essere entro 15,2 cm di questo punto, più lungo o più corto, come mostrato dalla linea punteggiata.

Il tubo è troppo lungo? Tagliare l'eccedenza dal primo tratto di tubo e ricollegare i tratti della tubazione.

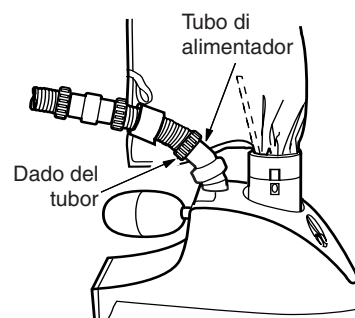
Il tubo è troppo corto? Acquistare un altro tratto di tubo e aggiungerlo al primo tratto.

Dopo avere regolato la lunghezza del tubo flessibile, posizionare tra galleggianti come indicato nello schema.



Montaggio del dispositivo di pulizia

1. Rimuovere dal tubo flessibile il dispositivo di test della pressione svitando il dado e tirando via il tubo.
2. Usare il dado del tubo proveniente dal dispositivo di prova della pressione per fissare il tubo al corpo del dispositivo di pulizia in corrispondenza del tubo di alimentazione.
3. Il sacco del filtro è insediato nell'area del collare del corpo del dispositivo di pulizia. Estrarre il sacco e serrare il suo cinturino sul tubo di alimentazione.
4. Spingere fino in fondo il galleggiante della testa in modo che si arresti contro il dispositivo di pulizia.
5. Mettere il Polaris nella piscine. Accendere la pompa di filtrazione.

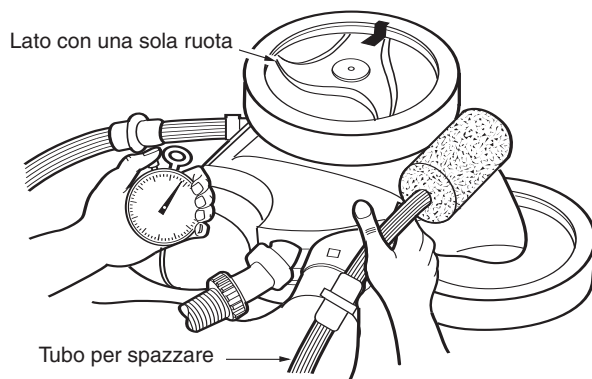


4

Controllo dell'RPM delle ruote

Prima di mettere in funzione il Polaris, controllare che il numero di giri al minuto (RPM) delle ruote sia corretto. Per ottenere i risultati migliori, il Polaris deve operare con un RPM tra 28 e 32.

1. Marcare la gomma della ruota a un solo lato.
2. Accendere la pompa, tenere il dispositivo di pulizia sotto il livello dell'acqua e contare il numero di giri per la durata di un minuto.
3. La velocità **ottimale è tra 28 e 32 RPM**.



Se il conteggio risulta inferiore a 28:

- Controllare il filtro nel dispositivo di sconnessione rapida per verificare che non ci siano detriti.
- Pulire lo skimmer, il filtro e il cestello della pompa.
- Controllare il tubo flessibile, le connessioni e gli snodi per accertarsi che non ci siano perdite.
- Se il dispositivo di pulizia è collegato a una linea di ritorno dedicata, regolare il divertitore a 3 vie in modo da aumentare la portata dell'acqua.

Se il conteggio risulta superiore a 32 RPM, svitare la valvola di sfogo della pressione fino a ottenere il valore di RPM giusto. Se è stata installata una valvola regolabile, regolare la valvola in modo da diminuire la portata dell'acqua.

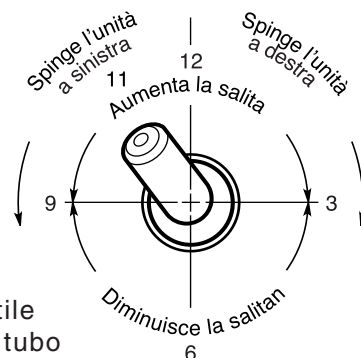
Ottimizzazione della messa a punto del Polaris

Quando funziona in modo corretto, il Polaris aspira, pulisce e spazza tutta la superficie della piscina con movimento casuale. La capacità del Polaris di salita lungo le pareti dipende da com'è sagomata la piscina e dalla pressione o dalla portata dell'acqua. Il dispositivo si arrampicherà meglio nelle piscine che non hanno angolature o curvature strette nel passare dal fondo alle pareti della piscina.

Il Polaris 360 si mette in retromarcia circa ogni 3 minuti e 1/2. Ciò permette al Polaris di togliersi via da eventuali ostacoli.

Regolazione del getto di manovra

Il getto di manovra spinge il Polaris nella sua direzione. La posizione predefinita alla fabbrica è quella delle undici delle lancette dell'orologio, però altre impostazioni possono dimostrarsi più convenienti secondo la piscina.



Regolazione del tubo flessibile di pulizia

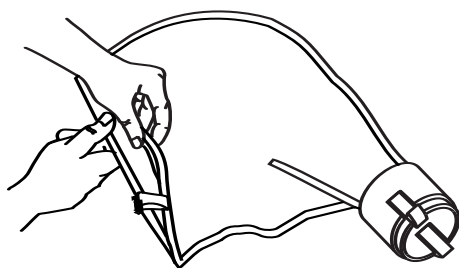
Il tubo flessibile di pulizia deve muoversi con un gentile movimento spazzante. Per diminuire il movimento del tubo flessibile di pulizia, girare in senso orario la sua vite di regolazione.

Per altre regolazioni, vedere Individuazione e soluzione dei problemi.

Manutenzione regolare

Pulizia del sacco del filtro

Staccare il sacco sganciando i fermagli e togliendo il collare di legatura dal tubo di alimentazione. Aprire il sacco e scartare i detriti.



- ➔ Quando possibile, svuotare il sacco quando è pieno a metà, specialmente se lo sporco all'interno consiste di sabbia.
- ➔ È più facile svuotare il sacco quando è asciutto. Usare due sacchi alternandoli. Quando un sacco è pieno, toglierlo e sostituirlo con quello pulito.

Lavaggio del filtro della piscina

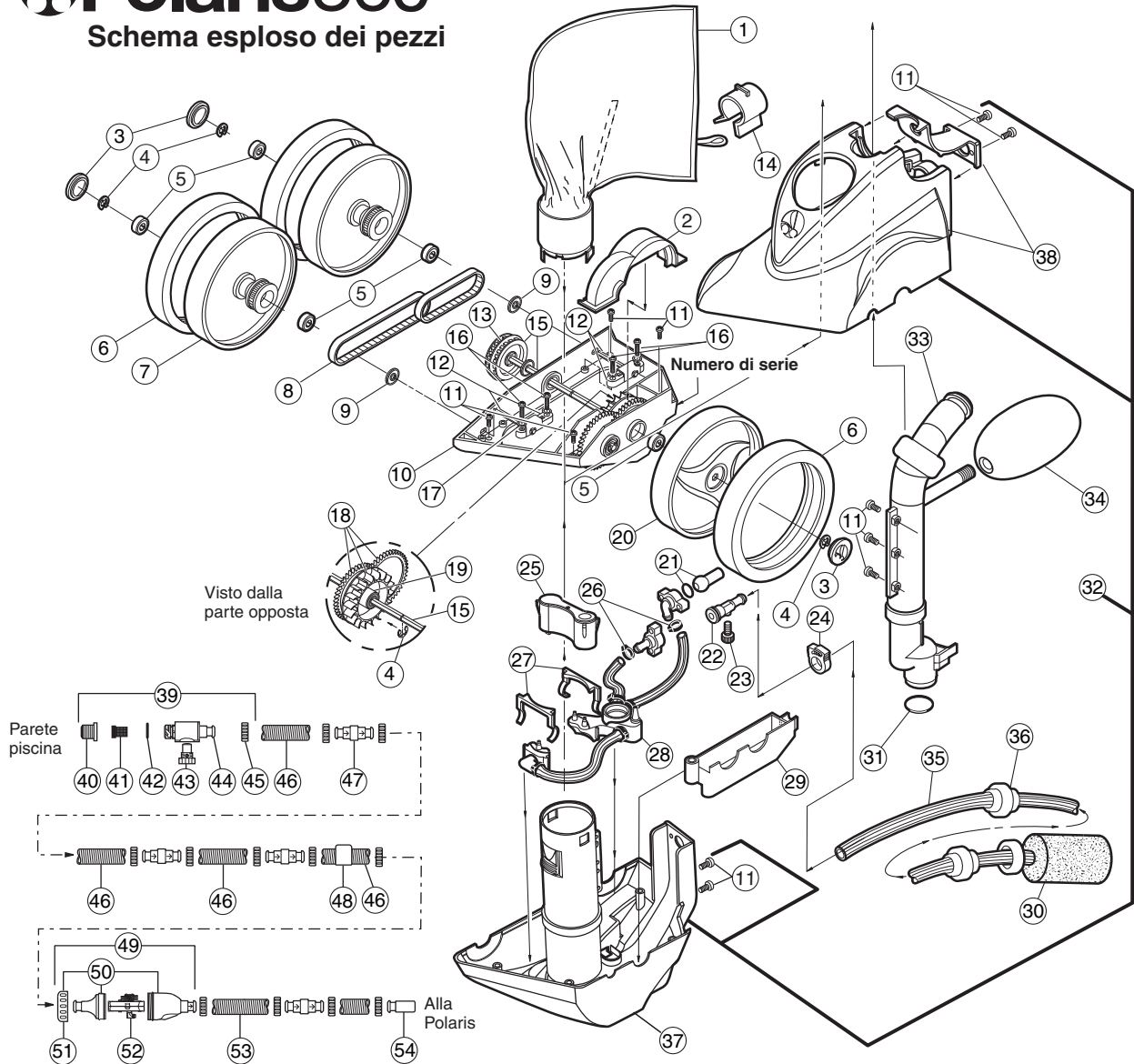
Scollegare sempre il Polaris dalla parete della piscina prima di pulire o lavare il suo filtro. Dopo avere pulito o lavato il filtro, lasciare che l'impianto di filtrazione funzioni per almeno cinque minuti prima di ricollegare il Polaris, in modo da lavare a fondo le linee di ritorno.

Conservazione e preparazione per l'inverno

Non conservare mai il Polaris alla luce diretta del sole. Quando si ripone per l'inverno, togliere completamente dall'acqua (i danni dovuti al ghiaccio non sono coperti dalla garanzia). Togliere IUWF dalla parete della piscina collegando il dispositivo di sconnessione rapida e tirando per svitare. In certi casi può rendersi necessario l'uso dell'utensile per la rimozione dell'UWF (parte n. 10-102-00) disponibile presso i rivenditori Polaris.

Polaris360

Schema esploso dei pezzi



No.	Matricola	Descrizione	Quantità	No.	Matricola	Descrizione	Quantità	No.	Matricola	Descrizione	Quantità
1	9-100-1014	Sacco per uso generale*	1	18	9-100-1132	Corredo ingranaggio trasmissione	1	38	9-100-1240	Parte superiore dell'involucro	1
2	9-100-1152	Parte superiore del corpo della turbina	1	19	9-100-1103	Disco della turbina con cuscinetto	1	39	9-100-3008	Gruppo connettore, UWF	1
3	9-100-1114	Coprismozzo	3	20	9-100-1116	Ruota, lato a ruota singola	1	40	6-500-00	Raccordo universale a parete (UWF)	1
4	9-100-5107	Fermaglio a E in acciaio inossidabile	10	21	C-131	Corredo del getto di spinta	1	41	6-504-00	Schermo filtro, UWF/QD	1
5	9-100-1108	Cuscinetto a sfere	8	22	9-100-7008	Punta d'attacco del tubo per spazzare	1	42	6-505-00	O-Ring, UWF/QD	1
6	C10	Gomma Max Trax®	3	23	B20	Vite di registrazione tubo per spazzare	1	43	9-100-3009	Valvola di scarico di pressione bianca	1
7	9-100-1008	Ruota, lato a due ruote	2	24	B15	Morsetto del tubo per spazzare	1	44	9-100-3006	Elemento di sconnessione rapida (QD), UWF	1
8	9-100-1017	Corredo cinghie, piccola e grande	1	25	9-100-3005	Peso base	1	45	9-100-3109	Dado del tubo	12
9	9-100-7011	Schermo, cuscinetto	3	26	9-100-7170	Morsetto tubo, WMS	6	46	9-100-3102	Tubo alimentazione, 1,8 m	4
10	9-100-1005	Telaio	1	27	9-100-7009	Fermo del getto	2	47	9-100-3002	Tubo girevole	4
11	9-100-5125	Vite di arresto 8-32 x 1/2 pollice	11	28	9-100-7014	Sistema di gestione acqua (WMS)	1	48	9-100-1206	Galleggiante, tubo alimentazione	3
12	9-100-1139	Kit blocco assale, anteriore e posteriore	1	29	9-100-1155	Alloggiamento turbina, inferiore	1	49	9-100-1200	Valvola di rigurgito in linea	1
13	9-100-1010	Divisore cinghie, puleggia	1	30	9-100-3105	Sfregatore di coda*	1	50	9-100-1202	Corredo, valvola di rigurgito	1
14	9-100-3135	Collare, legaccio sacco	1	31	9-100-5132	O-ring, timer/tubo alimentazione	1	51	9-100-1213	Collare, valvola di rigurgito	1
15	9-100-1007	Puleggia trasferimento e albero motore	1	32	9-100-7030	Gruppo parte superiore e base	1	52	9-100-1204	Meccanismo, valvola di rigurgito	1
16	9-100-5115	Vite di arresto 8-32 x 3/4 pollice	4	33	9-100-1002	Tubo alimentazione/Timer	1	53	9-100-3103	Tubo alimentazione, 30 cm	1
17	9-100-5130	Rondella di fermo, assale	4	34	A20	Galleggiante di testa	1	54	**	Misuratore di pressione	1
				35	9-100-1011	Tubo per spazzare completo*	1				
				36	B10	Anelli consumabili*	7				
				37	9-100-7026	Gruppo della base	1				

* Gli articoli di consumo sono esclusi dalla garanzia.

Individuazione e soluzione dei problemi

Se il dispositivo di pulizia Polaris presenta spesso un numero qualsiasi dei sintomi seguenti, può rendersi necessario eseguire delle regolazioni per ripristinare le prestazioni. Per riferimento, vedere lo schema esplosivo dei pezzi.

Azione: si ferma contro un gradino o altro ostacolo per più di 3 minuti e 1/2.

Soluzione: 1. Controllare l'RPM.
2. Verificare che la valvola di rigurgito funzioni.
3. Regolare il getto di manovra.
4. Togliere dalla piscina tutti gli oggetti estranei o installare un kit di protezione scaletta (ordinare la parte n. G21 presso il rivenditore Polaris).

Azione: I Polaris è lento e si muove con meno potenza del solito.

Soluzione: 1. Controllare il filtro nel dispositivo di sconnessione rapida e pulire se necessario.
2. Pulire il cesto dello skimmer, quello della pompa e il filtro della piscina.
3. Controllare tutti i tubi flessibili, le connessioni e gli snodi per accertarsi che non ci siano perdite che potrebbero causare una perdita di pressione dell'acqua.
4. Controllare l'RPM.

Azione: il Polaris svolazza per tutta la piscina.

Soluzione: 1. Controllare l'RPM. Se l'RPM è superiore a 32, svitare la valvola di sfogo della pressione e ridurre la porta dell'acqua nel dispositivo di pulizia.
2. Verificare che la valvola di rigurgito funzioni. Tenere la

valvola fuori dell'acqua e osservare il getto. Il getto dovrebbe uscire un momento sì e uno no.

3. Regolare il divertitore a 3 vie in modo da ridurre la quantità d'acqua che fluisce del dispositivo di pulizia per piscine Polaris.

Azione: il Polaris non va in retromarcia.

Soluzione: 1. Verificare che la valvola di rigurgito funzioni.
2. Controllare l'RPM.
3. Svuotare il sacco se è pieno.
4. Sostituire il galleggiante di testa se ha acqua all'interno.
5. Accertarsi che il tubo flessibile galleggi.

Azione: il Polaris si gira solo in una direzione.

Soluzione: 1. Regolare il getto di manovra.
2. Se l'estremità del tubo collegata al Polaris ha una curva, allineare la curva con quella del tubo di alimentazione.
3. Accertarsi che lo snood del tubo di alimentazione possa muoversi liberamente.
4. Accertarsi che il tubo di alimentazione galleggi.

Azione: il tubo di alimentazione si ingarbuglia.

- Soluzione: 1. Misurare di nuovo la lunghezza del tubo per controllare che sia corretta per il tipo di piscina.
2. Con il Polaris in funzione, controllare che gli snodi e le connessioni del tubo girino liberamente.
3. Accertarsi che il tubo di alimentazione galleggi.
4. Girare tutte le ruote con il Polaris spento. Le ruote devono girare tutte assieme.

Azione: il tubo di pulizia viene succhiato nel tubo di aspirazione.

- Soluzione: 1. Accertarsi che l'apertura all'estremità del tubo di pulizia non sia bloccata dalla spazzola.
2. Regolare il tubo di pulizia in modo che si sposti con movimento gentile.

Azione: il tubo di pulizia continua a spruzzare acqua fuori della piscina.

- Soluzione: 1. Regolare la velocità del tubo di pulizia stringendo la vite di regolazione.
2. Sostituire la spazzola del tubo di pulizia (parte n. 9-100-3105) se si fosse consumata o persa.
3. Aggiungere un peso (ordinare la parte n. B2) per impedire che il tubo di pulizia spruzzi.

Azione: il dispositivo di pulizia non pulisce l'intera piscina.

- Soluzione: 1. Controllare che la lunghezza del tubo sia entro 15,2 cm del punto più lontano della piscina. Se non lo è, ordinare

un tratto di tubo supplementare presso il rivenditore Polaris e aggiungerlo al primo tratto di tubo.

2. Per ottimizzare la casualità di spostamento, controllare che il getto di manovra sia in posizione delle undici delle lancette dell'orologio.
3. Tenere il dispositivo di pulizia capovolto mentre è in funzione e guardare nel tubo di aspirazione. Dovrebbero esserci tre getti d'acqua uguali e distinti. Se non ci fossero, mettersi in contatto con l'Assistenza Clienti o con un Centro di Assistenza Polaris.

Azione: il dispositivo di pulizia si sposta in circolo sempre dallo stesso lato.

- Soluzione: 1. Il sacco del filtro è pieno e appesantisce il dispositivo su di un lato.
2. Togliere il galleggiante di testa e scuoterlo. Se vi è entrata acqua, ordinare un galleggiante nuovo.
3. Il tubo di alimentazione deve galleggiare in modo uniforme sulla superficie della piscina.

Informações importantes

- Os equipamentos de aquecimento solar, geradores de ozono e outros equipamentos que introduzem ar poderão causar a passagem de ar através deste equipamento de limpeza, afectando de forma adversa o equilíbrio e a performance do equipamento de limpeza. Instale a canalização dedicada de limpeza a montante destes componentes.
- A água com alto teor de cloro pode causar problemas de manutenção. Evite pôr a funcionar o Polaris enquanto estiver a fazer a cloração.
- Sempre que limpar ou retrolavar o filtro da piscina, desconecte o Polaris da parede da piscina.
- Depois de limpar ou retrolavar, deixe o sistema de filtro funcionar durante, pelo menos, 5 minutos antes de voltar a conectar o Polaris.
- Purgue a tubulação nova antes de instalar o Polaris.
- Não use o Polaris para retirar resíduos de argamassa de piscinas novas.
- Retire sempre o Polaris antes que alguém use a piscina para nadar.
- Excepto quando medir a rotação (rpm) da roda, não mexa no Polaris durante o seu funcionamento.
- Retire sempre o Polaris da piscina antes de qualquer tratamento químico intensivo (choque).

Para contactar o serviço técnico ou a assistência ao cliente:

- Envie o cartão da garantia imediatamente.
- Assistência on-line: www.polarispool.com
- Para entrar em contacto com a Polaris:

US and Canada

Customer Service
2620 Commerce Way
Vista, CA 92081-8438
1-800-822-7933

Polaris Vac-Sweep® 360 Garantia

Agradecemos a sua escolha e confiança depositada na marca Polaris Vac-Sweep 360. Este produto foi concebido, fabricado e verificado usando do maior cuidado para assegurar completa satisfação.

A garantia é válida por 2 anos a partir da data de facturação ao primeiro utilizador.

ATENÇÃO: UTILIZAÇÃO DO POLARIS 360 EM PISCINAS DE VINIL

Alguns padrões de revestimento de vinil são particularmente susceptíveis a um desgaste rápido da superfície ou ao desaparecimento do padrão causado por objectos que entram em contacto com a superfície de vinil, incluindo escovas de piscina, brinquedos, bóias, fontes, distribuidores flutuantes de cloro e aspiradores automáticos de piscinas. Alguns padrões de revestimento de vinil podem ficar bastante arranhados ou gastos devido à simples acção de escovar a superfície com uma escova de limpar piscinas. A tinta do acabamento do padrão também pode sair durante o processo de instalação ou quando entra em contacto com objectos na piscina. A Polaris não assume responsabilidade nem a Garantia Limitada cobre remoções do acabamento, abrasões ou marcas no revestimento de vinil.

Introdução

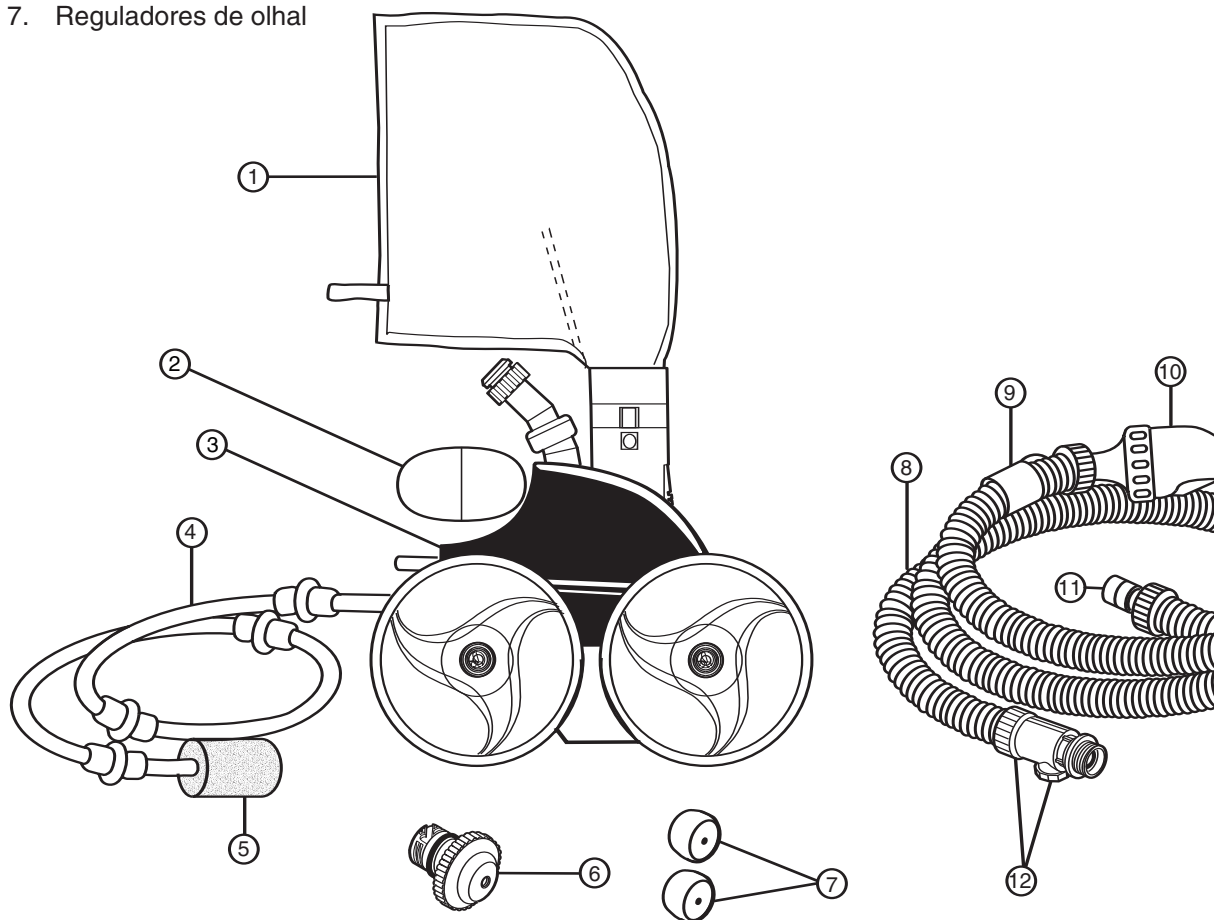
Parabéns pela aquisição do seu novo aspirador automático de piscina. Agradecemos a sua escolha do Polaris. O Polaris Vac-Sweep 360® foi concebido para funcionar de modo eficiente e seguro durante muitos anos.

Como a maioria dos aparelhos mecânicos, o Polaris necessita de ajustes periódicos, manutenção de rotina e substituição de certas peças muito usadas. O Polaris deve ocasionalmente passar por uma revisão no distribuidor local da Polaris ou numa oficina autorizada.

Insista sempre na aplicação de peças originais Polaris. As peças não-originais da Polaris não são fabricadas de acordo com nossas especificações. Tais peças podem prejudicar o funcionamento do Polaris ou até mesmo danificá-lo.

Aspirador completo Polaris 360

- | | |
|-------------------------------------|---|
| 1. Saco multiuso | 8. Mangueira de alimentação |
| 2. Bóia do cabeça | 9. Bóias da mangueira |
| 3. Corpo do aspirador | 10. Válvula de retrocesso |
| 4. Mangueira de aspiração | 11. Verificador de pressão |
| 5. Escova da mangueira de aspiração | 12. Desconexão rápida com conexão universal de parede |
| 6. Olhal de substituição | |
| 7. Reguladores de olhal | |



Instruções para instalação rápida

Quatro etapas rápidas para instalar e obter o máximo desempenho do Polaris 360:

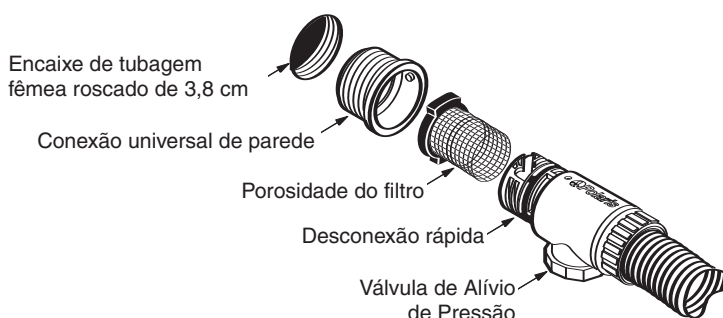
- Instale a conexão universal de parede com a desconexão rápida e os reguladores de olhal.
- Verifique e ajuste a pressão da água.
- Ajuste a mangueira de alimentação de acordo com o comprimento da piscina.
- Verifique se o ajuste de rpm (rotações por minuto) da roda está correcto.

1

Instale a conexão universal de parede

Pode ser instalado em poucos minutos em piscinas com uma linha exclusiva de retorno do aspirador e um encaixe de tubagem fêmea roscado de 3,8 cm (1,5 pol.).

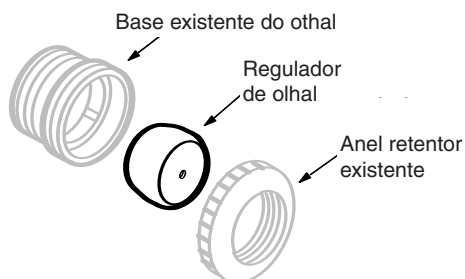
1. Ligue a bomba de filtragem da piscina e purgue a canalização. Desligue a bomba.
2. Retire a conexão universal da desconexão rápida e enrosque-a na abertura de retorno.
3. Rode a desconexão rápida no sentido dos ponteiros dum relógio dentro da conexão universal e puxe para fora para prender a conexão.



Instale os reguladores de olhal

Se a piscina tiver mais de uma linha de retorno, instale os reguladores de olhal para garantir uma pressão de água suficiente na piscina para o funcionamento do Polaris 360

Use o olhal de substituição com um encaixe de desconexão rápida para restaurar a circulação de água adequada quando o Polaris 360 for retirado da piscina.



Olhal de substituição com conexão de engate rápido

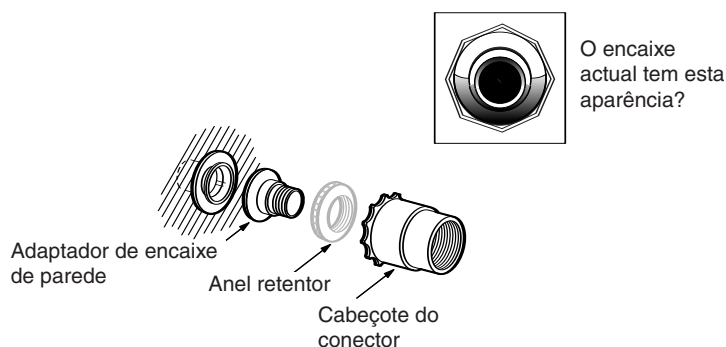
Para adaptar uma tubagem de retorno de 3,2 cm (1-1/4 pol.) ou de 5 cm (2 pol.), use o Kit Adaptador Polaris que foi incluído com o seu equipamento de limpeza.

Se a conexão universal de parede e os reguladores de olhal estiverem bem instalados, **PASSE** para a Etapa 2. Caso contrário, consulte a "Instalação de outras conexões da piscina".

Instalação de outras conexões da piscina

Se a piscina não tiver uma linha exclusiva de retorno, o Polaris 360 conecta-se com a maioria das linhas comuns de retorno usando kits especiais de adaptação, à venda nos distribuidores Polaris.

No caso de encaixes direccionais de olhal que não tiverem um mancal roscado de 38 mm ao serem retirados, peça o Kit de Conexão do Adaptador de Olhal (peça nº 9-100-8005).



Estas são as conexões de piscina mais comuns, mas não as únicas possíveis.

Se a conexão universal e os reguladores de olhal ainda assim não puderem ser instalados na piscina, entre em contacto com o distribuidor ou com o Serviço de Assistência ao Cliente da Polaris para determinar quais as peças necessárias para o seu caso.

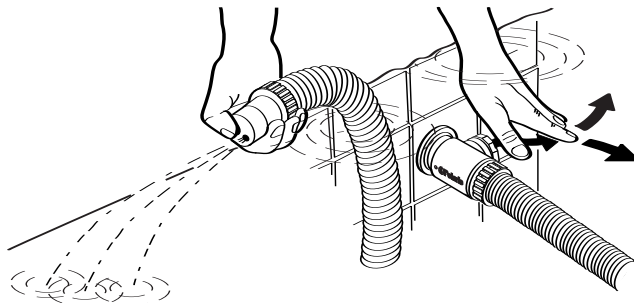
Outras conexões que exigem encaixes especiais

Se houver equipamento de hidromassagem ligado ao equipamento de filtração da piscina, é preciso obter reguladores de expansão além de um dos kits relacionados acima. Entre em contacto com o distribuidor ou com o Serviço de Assistência ao Cliente para determinar quais as peças necessárias para o seu caso.

2

Verifique e ajuste a pressão da água

O Polaris é fornecido com um verificador de pressão instalado na mangueira. Basta conectar a mangueira na parede da piscina usando o encaixe de desconexão rápida. Ligue a bomba, cubra o orifício grande com o dedo polegar e verifique se a água é libertada da válvula de alívio de pressão.



Se não observar água projectando-se da válvula de alívio de pressão, significa que não há pressão suficiente de água para que o aspirador de piscina Polaris funcione.

- Examine a porosidade do filtro na desconexão rápida para ver se existem detritos a bloquear o fluxo de água.
- Limpe o skimmer, o filtro e o cesto da bomba, retirando os detritos que estejam a bloquear o fluxo de água.
- Examine as mangueiras, conexões e as articulações para detectar possíveis vazamentos que estejam a causar a perda de pressão da água.
- Se o aspirador estiver conectado com uma linha exclusiva de retorno, ajuste o desviador de 3 vias para aumentar o fluxo de água.

3

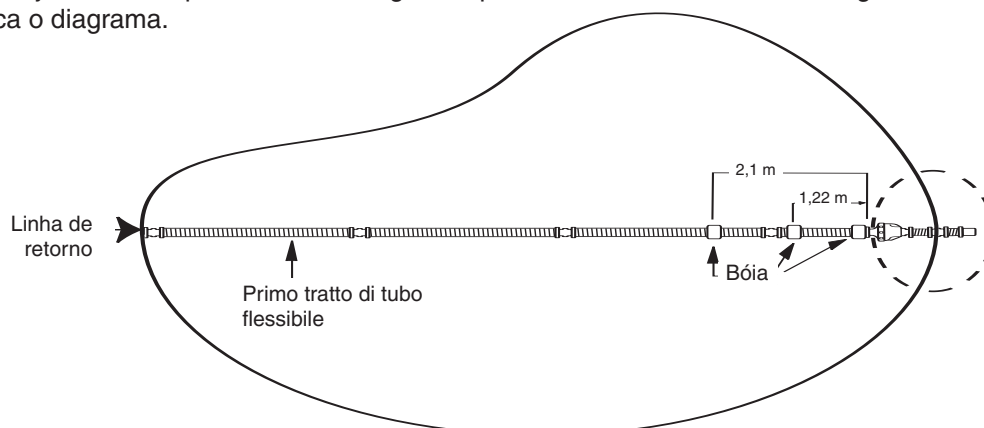
Ajuste a mangueira de alimentação de acordo com o comprimento da piscina

Com a mangueira ligada à parede da piscina no local da linha de retorno, mantenha a mangueira de alimentação submersa e ligue a bomba da piscina. Estique a mangueira até ao ponto mais distante da piscina. A extremidade da mangueira deve ficar a 15,2 cm desse ponto – mais comprida ou mais curta – conforme mostra a linha pontilhada.

Mangueira comprida demais? Corte o comprimento em excesso da primeira secção da mangueira e volte a conectar as secções da mangueira.

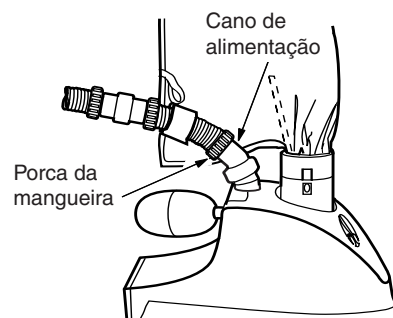
Mangueira curta demais? Compre mais uma secção de mangueira e junte-a à primeira secção da mangueira.

Após ajustar o comprimento da mangueira, posicione as três bóias da mangueira conforme indica o diagrama.



Monte o aspirador

1. Retire o verificador de pressão da mangueira desenroscando a porca da mangueira e puxando a mangueira para fora.
2. Use a porca da mangueira do verificador de pressão para prender a mangueira no corpo do aspirador, no cano de alimentação.
3. O saco do filtro foi embalado na área do aro do corpo do aspirador. Puxe o saco para fora e encaixe o aro do prendedor do saco na mangueira de alimentação.
4. Force a bóia do cabeçote completamente contra o aspirador.
5. Coloque o Polaris na piscina. Ligue a bomba do filtro da piscina.

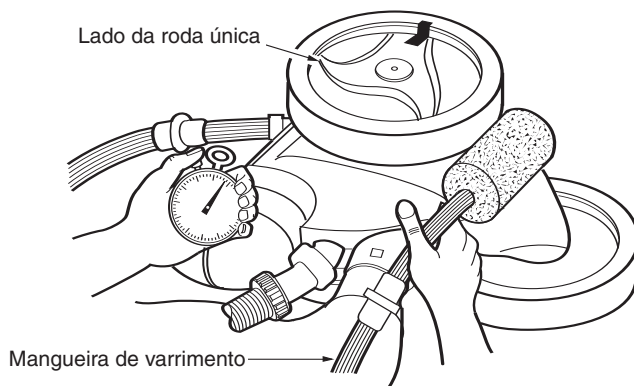


4

Verifique se a rotação da roda (rpm) está correcta

Antes de usar o Polaris, verifique se o ajuste de rotações por minuto (rpm) da roda está correcto. Para obter a máxima eficiência, o Polaris deve funcionar entre 28 e 32 rpm.

1. Marque a roda de um único lado.
2. Ligue a bomba, mantenha o aspirador submerso na água e conte as rotações da roda durante um minuto.
3. A velocidade ideal **encontra-se entre 28 e 32 rpm**.



Se a contagem for inferior a 28 rpm:

- Examine a porosidade do filtro na desconexão rápida para detectar a presença de detritos.
- Limpe o skimmer, o filtro e o cesto da bomba.
- Examine as mangueiras, conexões e articulações para detectar possíveis vazamentos.
- Se o limpador estiver conectado a uma linha dedicada de retorno, ajuste o desviador de 3 vias para aumentar o fluxo de água.

Se a contagem for superior a 32 rpm, desenrosque a válvula de alívio da pressão até atingir um número de rpm adequado. Se tiver sido instalada uma válvula ajustável, regule-a para reduzir a quantidade do fluxo de água.

Regular o aspirador Polaris

O Polaris aspira, varre e escova as superfícies, aleatoriamente, de toda a piscina quando está a funcionar correctamente. A capacidade de escalar do Polaris depende do formato e do fluxo ou pressão de água da piscina. O Polaris escala melhor em piscinas sem ângulos ou curvas muito acentuados na transição entre o fundo e a parede da piscina.

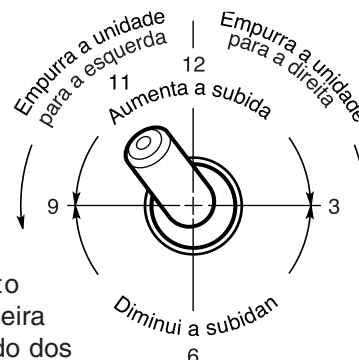
Aproximadamente cada três minutos e meio, o Polaris 360 entra no modo de recuo. Isto faz com que o Polaris se afaste de obstáculos na piscina.

Ajuste do jacto de impulso

O jacto de impulso activa a direcção do Polaris. A posição definida de fábrica é a de "onze horas", mas, dependendo da piscina, podem-se efectuar ajustes mais adequados.

Ajuste da mangueira do aspirador

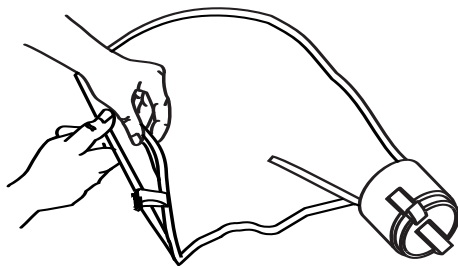
A mangueira do aspirador deve ter um movimento de varredura suave. Para diminuir o movimento da mangueira do aspirador, rode o respectivo parafuso de ajuste no sentido dos ponteiros dum relógio. Consulte a secção "Identificação e solução de problemas" para se informar sobre outros tipos de ajuste.



Manutenção de rotina

Limpeza do saco do filtro

Desprenda o saco soltando as linguetas e retirando o aro do prendedor do saco da mangueira de alimentação. Abra-o e deite fora os detritos.



- Sempre que possível, esvazie o saco do filtro quando estiver meio cheio, especialmente se o conteúdo for areia.
- É mais fácil esvaziar o saco do filtro quando seco. Use dois sacos de filtro alternadamente. Quando um ficar cheio, retire-o e coloque o saco limpo.

Retrolavagem do filtro da piscina

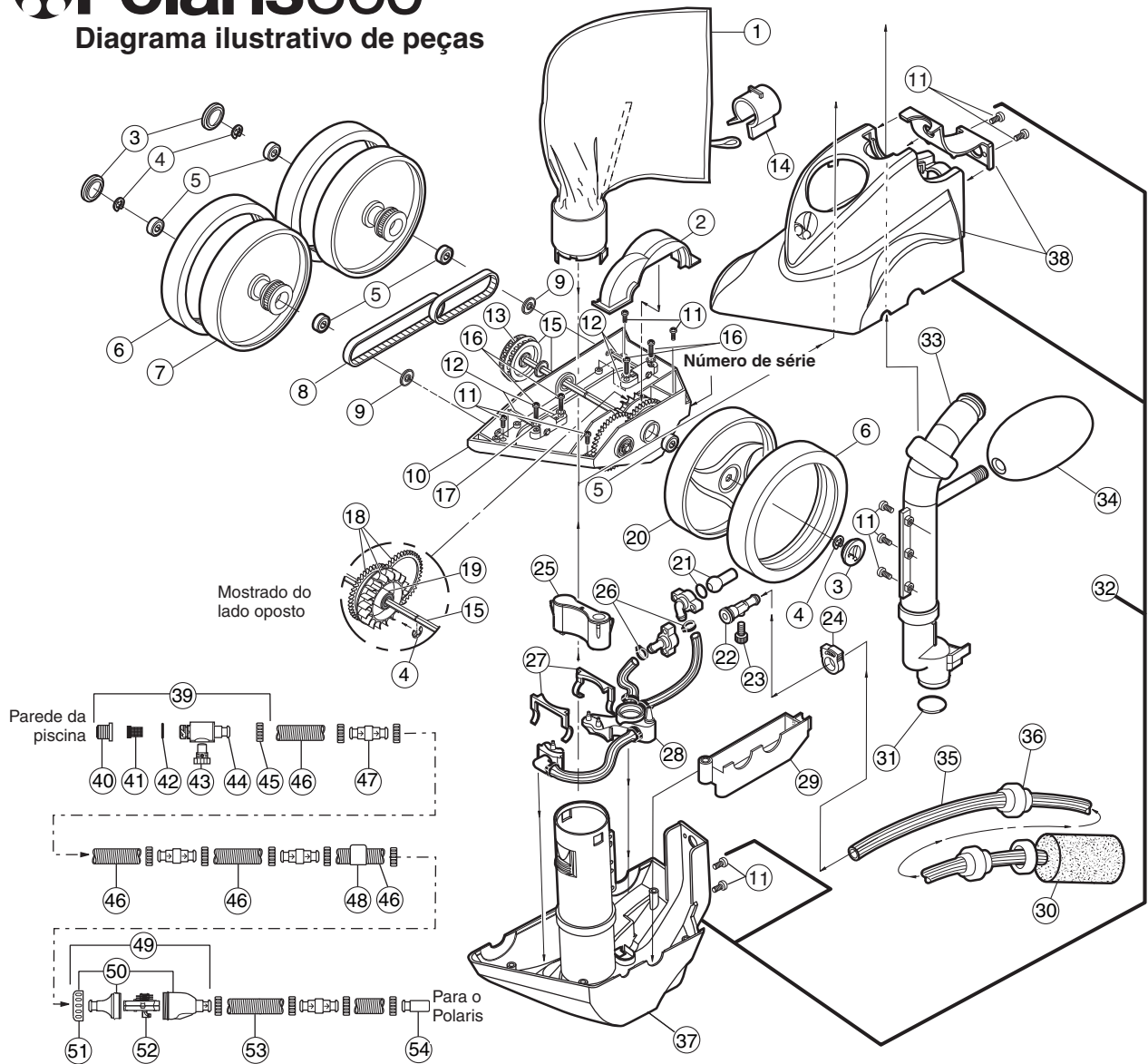
Ao limpar ou retrolavar o filtro da piscina, desconecte sempre o Polaris da parede da piscina. Depois de limpar ou retrolavar, deixe o sistema de filtro funcionar durante, pelo menos 5 minutos, a fim de purgar as linhas de retorno, antes de voltar a conectar o Polaris.

Armazenagem e preparação para o Inverno

Nunca guarde o Polaris sob luz solar directa. Quando proceder à armazenagem durante o período de Inverno, drene toda a água (os danos causados por congelamento não são cobertos pela garantia). Retire a conexão universal da parede da piscina ao ligar a desconexão rápida e aplicando pressão para dentro para desenroscar. Em alguns casos, pode ser necessário usar a ferramenta de remoção da conexão universal (peça nº 10-102-00), que pode ser adquirida em qualquer distribuidor Polaris.

Polaris360

Diagrama ilustrativo de peças



No.	Peça no.	Descrição	Quant.	No.	Peça no.	Descrição	Quant.	No.	Peça no.	Descrição	Quant.
1	9-100-1014	Saco multiuso*	1	21	C131	Conjunto do jacto impulsor	1	37	9-100-7026	Conjunto de base	1
2	9-100-1152	Cobertura superior da turbina	1	22	9-100-7008	Ponta completa da mangueira de varrimento	1	38	9-100-1240	Parte superior do invólucro	1
3	9-100-1114	Tampão do cubo	3	23	B20	Parafuso de ajuste, mangueira de varrimento	1	39	9-100-3008	Unidade do conector, CUP	1
4	9-100-5107	Abraçadeira em E, aço inoxidável	10	24	B15	Grampo do acessório de varrimento	1	40	6-500-00	Conexão universal de parede (CUP)	1
5	9-100-1108	Rolamento de esferas	8	25	9-100-3005	Peso da base	1	41	6-504-00	Porosidade do filtro, CUP/DR	1
6	C10	Pneu, MaxTrax®	3	26	9-100-7170	Grampo da mangueira para SGA	6	42	6-505-00	Anel em O, CUP/DR	1
7	9-100-1008	Roda, lado duplo	2	27	9-100-7009	Retentor do jacto	2	43	9-100-3009	Válvula de alívio de pressão, branca	1
8	9-100-1017	Conjunto do cinto, pequeno e grande	1	28	9-100-7014	Sistema de gestão da água (SGA)	1	44	9-100-3006	Desconexão rápida (DR), CUP	1
9	9-100-7011	Proteção, rolamento	3	29	9-100-1155	Cobertura inferior da turbina	1	45	9-100-3109	Porca da mangueira	12
10	9-100-1005	Estrutura	1	30	9-100-3105	Esfregão da mangueira de varrimento*	1	46	9-100-3102	Mangueira de alimentação, 1,83 m	4
11	9-100-5125	Parafuso 8-32 x 3/8 de pol.	11	31	9-100-5132	Anel em O, cano de alimentação/cronómetro	1	47	9-100-3002	Articulação, mangueira	4
12	9-100-1139	Kit do bloco do eixo, dianteiro e traseiro	1	32	9-100-7030	Conjunto da base e do topo,	1	48	9-100-1206	Bóia, mangueira de alimentação	3
13	9-100-1010	Separador dos cintos, polia	1	33	9-100-1002	Cano de alimentação/Unidade vazia do cronómetro	1	49	9-100-1200	Válvula de retrocesso em linha	1
14	9-100-3135	Aro, prendedor do saco	1	34	A20	Bóia, cabeça	1	50	9-100-1202	Conjunto de caixa, válvula de retrocesso	1
15	9-100-1007	Transferência/Eixo de transmissão	1	35	9-100-1011	Mangueira de varrimento completa*	1	51	9-100-1213	Aro, válvula de retrocesso	1
16	9-100-5115	Parafuso, 8-32 x 3/4 de pol.	4	36	B10	Anilhas de desgaste*	7	52	9-100-1204	Mecanismo, válvula de retrocesso	1
17	9-100-5130	Anilha de pressão, eixo	4					53	9-100-3103	Mangueira de alimentação, 30 cm	1
18	9-100-1132	Conjunto de engrenagens de transmissão do mecanismo	1					54	**	Dispositivo de teste da pressão	1
19	9-100-1103	Roda de turbina com chumaceira	1								
20	9-100-1116	Roda, lado único	1								

* Os elementos sujeitos a desgaste não estão cobertos pela garantia.

Identificação e correcção de problemas

Se o aspirador Polaris apresentar frequentemente algumas das seguintes acções, é necessário fazer alguns ajustes para restabelecer o funcionamento correcto. Consulte o diagrama de peças (vista explodida) para obter as referências das peças.

Acção: Fica pendurado nos degraus ou em outros obstáculos por mais de 3,5 minutos.

- Solução:
1. Verifique a rotação (rpm) da roda.
 2. Verifique se a válvula de retrocesso está a funcionar.
 3. Ajuste o jacto de impulso .
 4. Retire todas as ferragens desnecessárias da piscina ou instale o Kit de Protecção de Escada (encomende a peça nº G21 junto a um distribuidor Polaris).

Acção: O Polaris está lento, funcionando com menos força do que o normal.

- Solução:
1. Examine a porosidade do filtro na desconexão rápida e limpe, se necessário.
 2. Limpe o cesto do skimmer, o cesto da bomba e o filtro da piscina.
 3. Examine todas as mangueiras, conexões e articulações para detectar possíveis vazamentos que possam causar perda de pressão da água.
 4. Verifique a rotação (rpm) da roda.

Acção: O Polaris precipita-se por toda a piscina.

- Solução:
1. Verifique a rotação (rpm) da roda. Se superior a 32 rpm, desenrosque a válvula de alívio da pressão para reduzir o fluxo de água que vai ao aspirador.
 2. Verifique se a válvula de retrocesso está a funcionar. Mantenha a válvula fora da água e observe o jacto. O jacto deverá activar e parar.
 3. Ajuste o desviador de 3 vias para reduzir a quantidade do fluxo de água que vai até o aspirador de piscina Polaris.

Acção: O Polaris não recua.

- Solução:
1. Verifique se a válvula de retrocesso está a funcionar.
 2. Verifique a rotação (rpm) da roda.
 3. Se o saco estiver cheio, esvazie-o.
 4. Se a bóia do cabeçote contiver água, substitua a bóia.
 5. Certifique-se de que a mangueira de alimentação está a flutuar.

Acção: O Polaris só se desvia numa direcção.

- Solução:
1. Ajuste o jacto de impulso.
 2. Se a extremidade da mangueira conectada no Polaris apresentar uma curva, alinhe-a com a curva do cano de alimentação.
 3. Certifique-se de que a articulação do cano de alimentação roda livremente.
 4. Certifique-se de que a mangueira de alimentação está a flutuar.

Acção: **A mangueira de alimentação fica emaranhada.**

- Solução:
1. Meça a mangueira novamente para ver se corresponde ao comprimento adequado à configuração da piscina.
 2. Com o Polaris a funcionar, verifique se as articulações da mangueira e as respectivas conexões rodam livremente.
 3. Certifique-se de que a mangueira de alimentação está a flutuar.
 4. Com o Polaris desligado, gire cada uma das rodas. Todas as rodas devem rodar juntas.

Acção: **A mangueira do aspirador é aspirada para dentro do tubo.**

- Solução:
1. Certifique-se de que a abertura na extremidade da mangueira do aspirador não esteja bloqueada pela escova da mangueira do aspirador.
 2. Ajuste a mangueira do aspirador para que oferecer um movimento de varredura suave.

Acção: **A mangueira do aspirador salpica água para fora da piscina constantemente.**

- Solução:
1. Regule a velocidade da mangueira do aspirador apertando o parafuso de ajuste.
 2. Substitua a escova da mangueira do aspirador (peça nº 9-100-3105) se estiver gasta ou ausente.
 3. Coloque um peso na mangueira do aspirador (encomende a peça nº B2) para impedir que a mangueira do aspirador salpique água.

Acção: **O aspirador não limpa toda a piscina.**

- Solução:
1. Verifique se o comprimento da mangueira alcança até 15,2 cm (6 pol.) do ponto mais distante da piscina. Se não alcançar, encomende uma nova secção de mangueira junto a um distribuidor Polaris e acrescente-a à primeira secção.
 2. Verifique se o jacto do impulso se encontra na posição de "onze horas", que é a ideal para a rotação aleatória.
 3. Enquanto o aspirador estiver a funcionar, inverta-o, de baixo para cima, no tubo de aspiração. Deverão ser observados três jactos de água distintos e uniformes. Se tal não acontecer, contacte o Serviço de Assistência ao Cliente, ou um Centro de Serviço autorizado da Polaris para obter assistência.

Acção: **O aspirador gira em círculos sobre a sua parte lateral.**

- Solução:
1. O saco do filtro está cheio, fazendo com que o aspirador fique desequilibrado.
 2. Retire a bóia do cabeçote e sacuda-a. Se houver água na bóia, encomende uma nova.
 3. A mangueira de alimentação deve flutuar uniformemente na superfície da piscina.



EC DECLARATION OF CONFORMITY

ManufacturerThe Products are manufactured and marked with CE by:

Polaris Pool Systems, Inc. ("Polaris")
2620 Commerce Way
Vista, CA 92081-8438 USA
Telephone: 760-599-9600
Facsimile: 760-597-1239
E-mail: polaris@polarispool.com

Products The Products Declared herein are:
Polaris Vac-Sweep® 360

Directives The Products are in conformity with the following Directives:
Machinery Safety Directive 98/37/EC

Specifications The Products also comply with the following international and harmonized domestic standards:
None. There are no known standards for swimming pool cleaning equipment.

Declaration

I hereby declare that the equipment named above has been designed to comply with the relevant sections of the above referenced specifications. The unit complies with all essential requirements of the directives. I declare under sole responsibility that the foregoing information is true and correct.

David Peterson

David Peterson, Vice President Engineering

12-Sep-02

Date



Your pool. Our reputation.

2620 Commerce Way, Vista, CA 92081-8438 • 760-599-9600 • 1-800-822-7933

www.polarispool.com