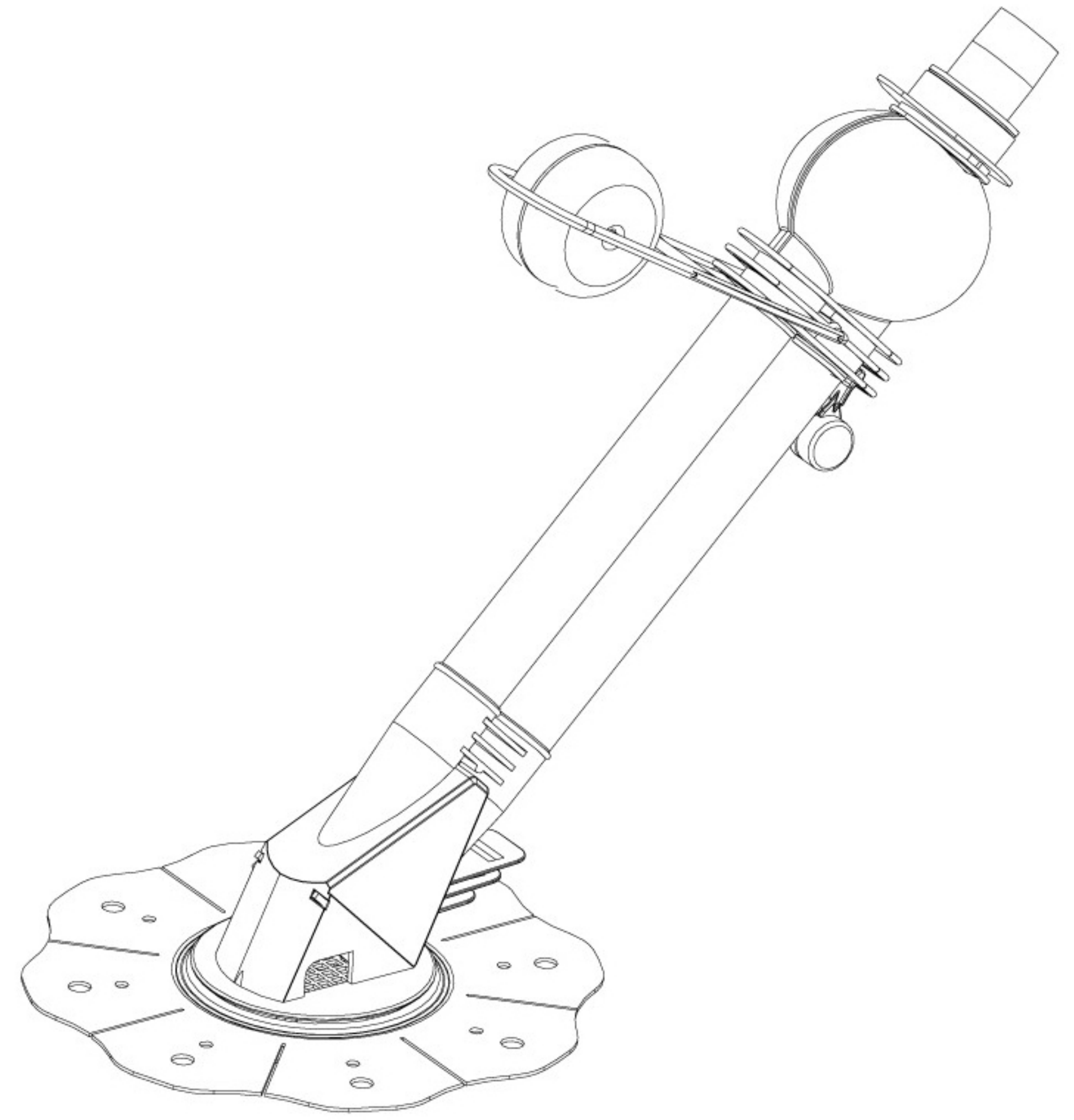


Assembly Instruction

I. Preparation of Your Pool

Before assembling and installing your cleaner, your pool should be clean and algae-free so as not to inhibit the cleaner's traction. If necessary, make the following preparations before proceeding:

1. Chemically balance the pool water.
2. Brush pool and let the debris settle.
3. Hand vacuum thoroughly.
4. Clean filter



II. Assembly

Remove the body and all of its parts from the box and check sure that all components were included. Refer to Figure 1.

Fig #1

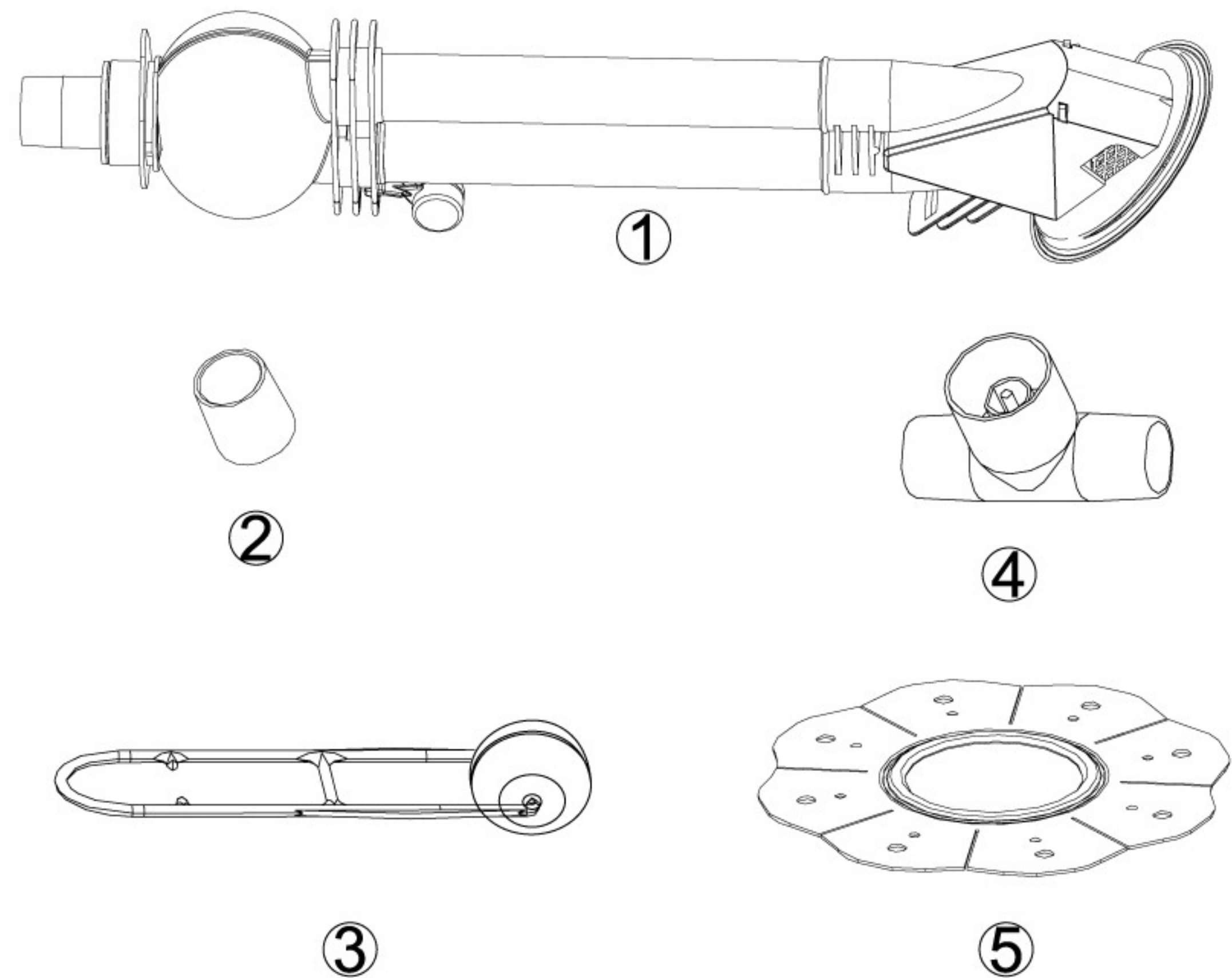
Components Check List

1. Body
2. Cone
3. Float Assembly
4. Automatic regulator valve
5. Pleated seal
6. Hose (11pcs MXF)
(1 pcs FXF)

MXF



FXF



Step 1. Attach The Seal

To install seal, slip the seal over the foot pad and pull gently until it seats itself on the other side in its groove as illustrated in Figure 2. Seal must be installed flat side down, pleated side up. Once in place, the seal should rotate and turn freely.

Step 2. Attach Float

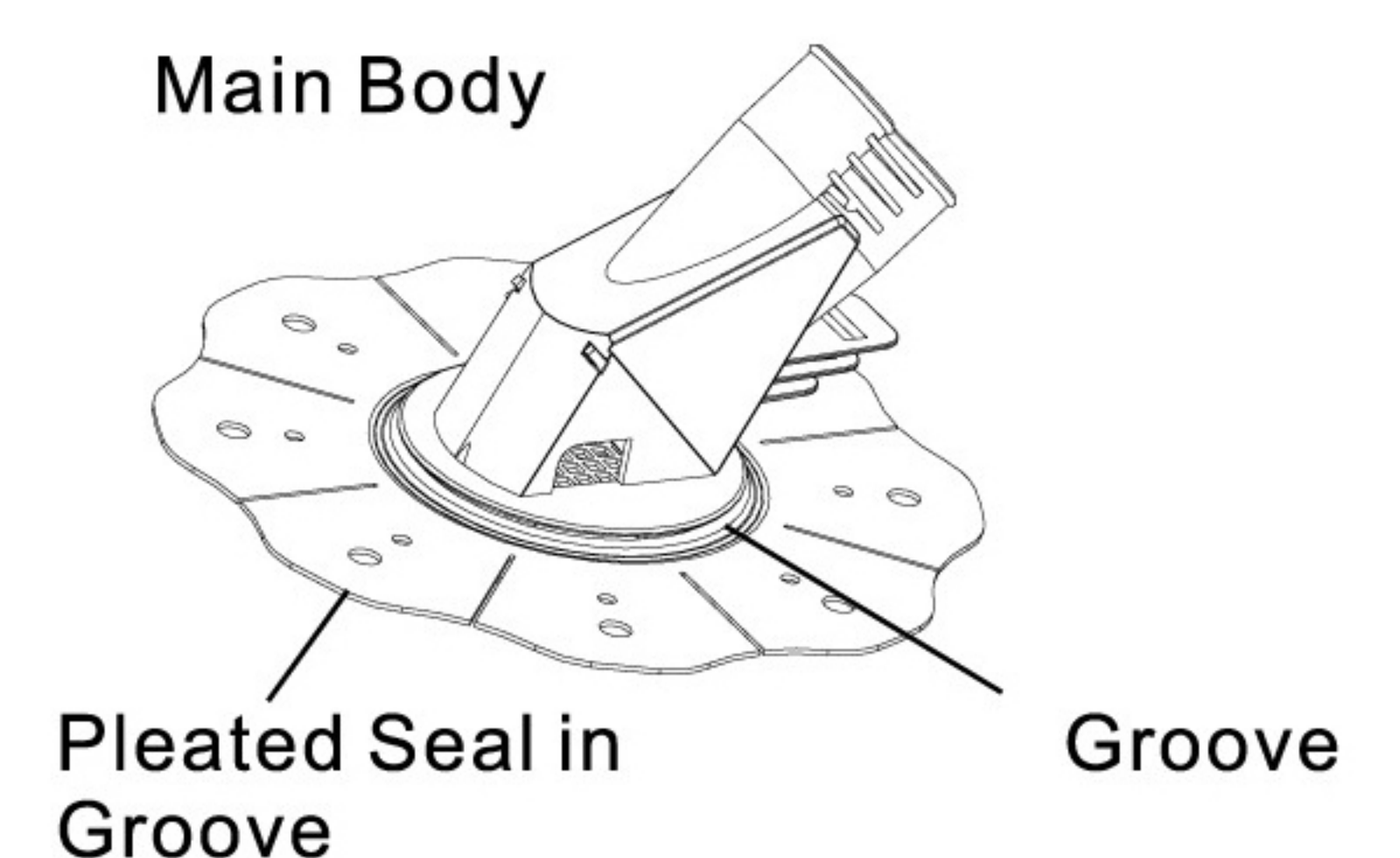
Step 3. Attach Cone To Reg Valve And Insert Reg Valve To Female Hose Section.

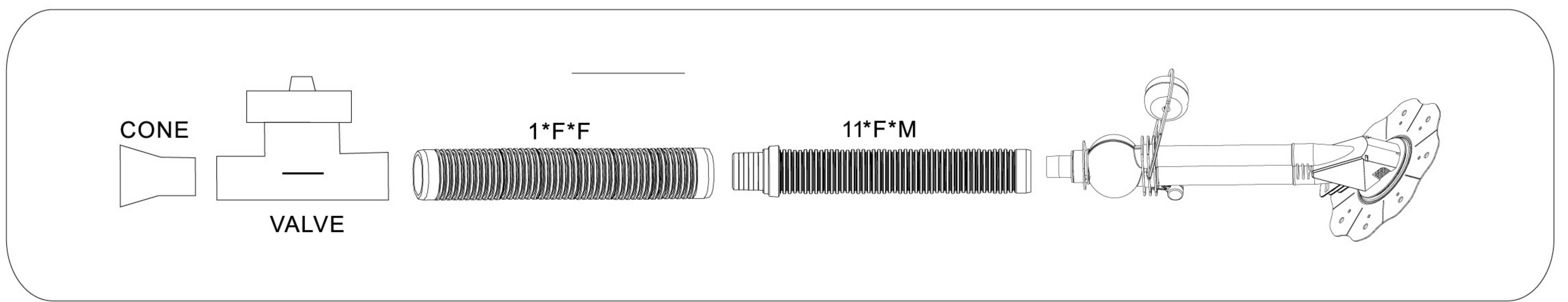
Step 4. Attach the remaining hoses

III: Installation

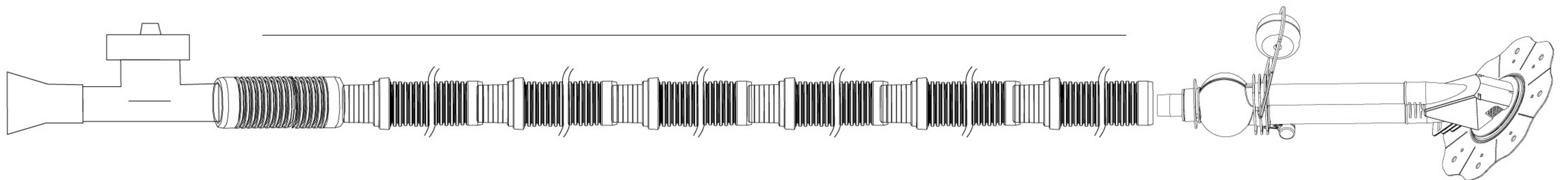
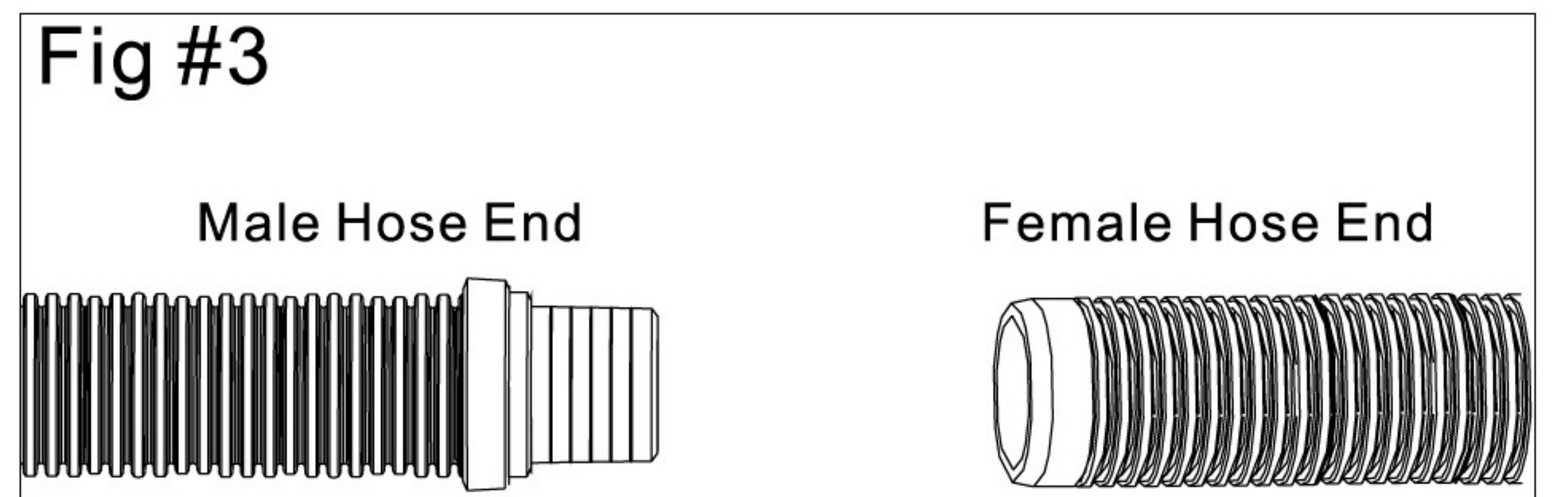
1. Fill the hose sections with water to eliminate air pockets
2. Adjust regulator valve if needed.

Fig #2





Twist and push the female ends onto the male ends after dipping the ends into the pool to wet them. See Figure 3. Continue until you've connected all the sections you need. then connect the HOSE to the cleaner. One of the hose sections has 2 female ends Your fully assembled cleaner should look like this.



- 1. On filters with 1500 gallon's or less,close reguator valve 100%**
- 2. On filter's with 2500 gallon's open valve accordingly so that Auto Vac does not run too fast.**
- 3. The proper speed for cleaner is about 3 feet per minute**