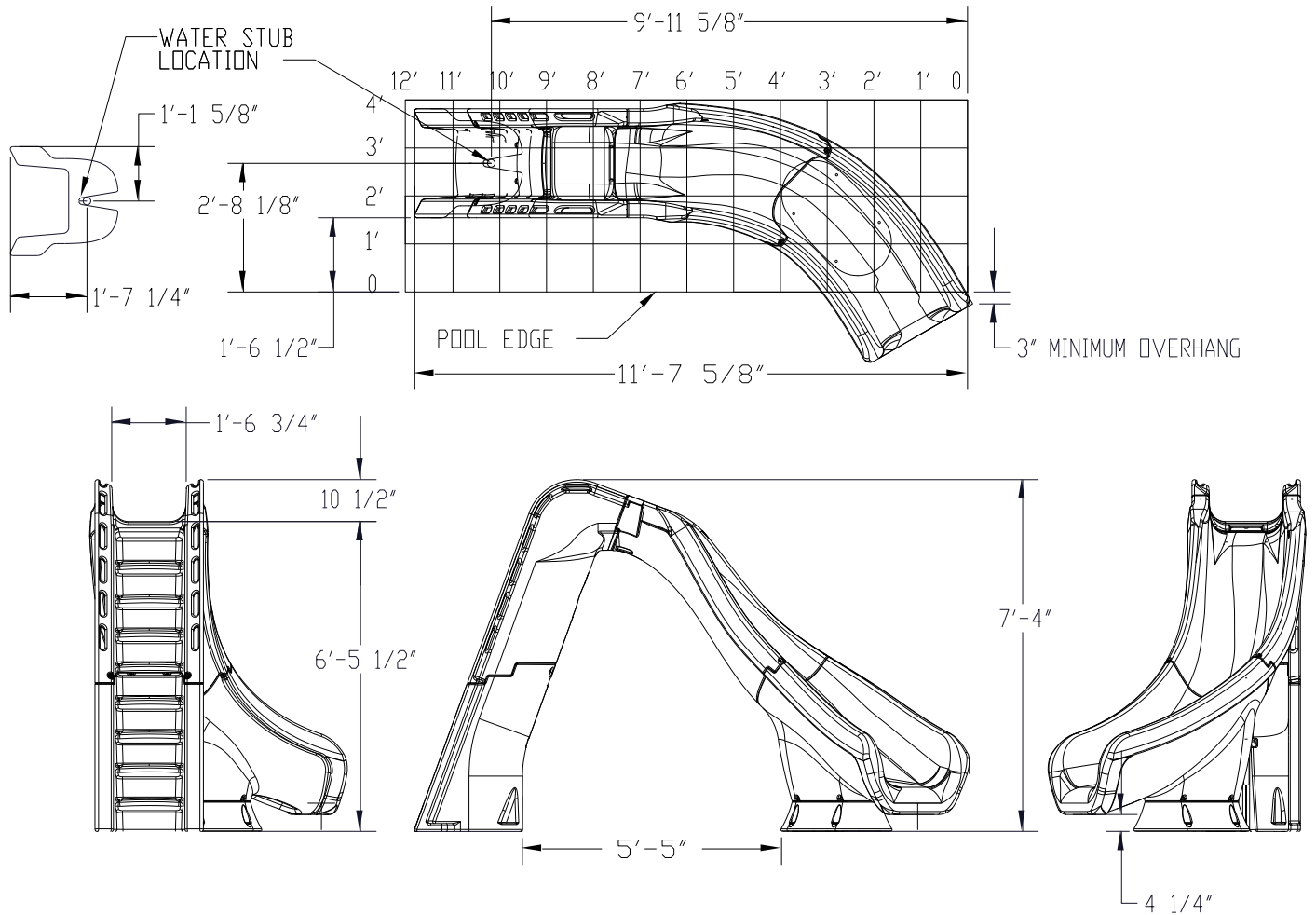


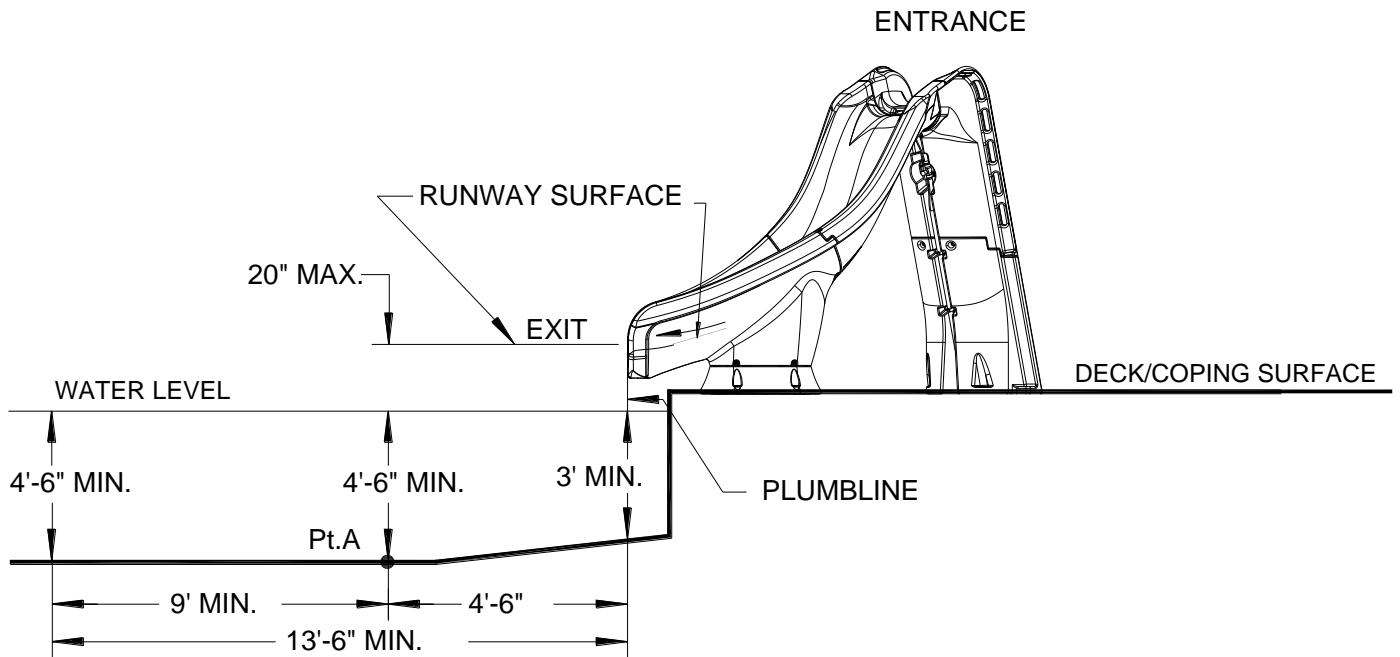
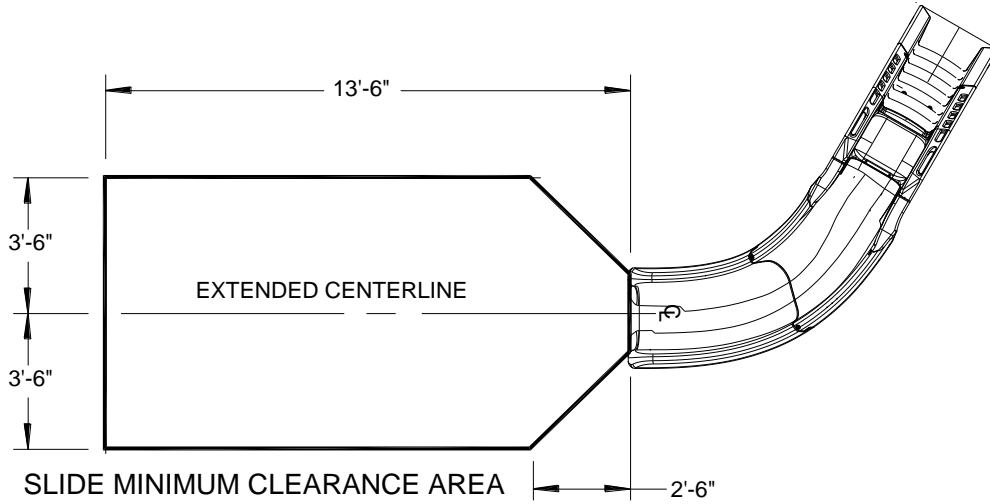
TYPHOON[®] SLIDE (RIGHT CURVE SHOWN) (LEFT CURVE IS MIRROR IMAGE)



Specification Number:	SRS-210		
Product Description:	Typhoon[®] Slide		
S.R. Smith Part Number:	670-209-58123, 58124, 58223 & 58224	Scale:	NTS
Revision:	B	Date:	7/25/13
Written By:	BILL SVENDSEN	Date:	1/15/08
Approved By:		Date:	1/15/08
Page 1 of 3	Proprietary and confidential: The information contained in this specification is the sole property of S.R. Smith LLC. Any reproduction in part or whole without the written consent of S.R. Smith LLC is prohibited.		

S.R. Smith, LLC
P.O. Box 400, 1017 SW Berg Parkway
Canby, Oregon 97013
Tel: (800) 824-4387 (503) 266-2231
Fax: (503) 266-4334
www.srsmith.com

Typhoon[®] Slide Placement



Specification Number:	SRS-210		
Product Description:	Typhoon[®] Slide		
S.R. Smith Part Number:	670-209-58123, 58124, 58223 & 58224	Scale:	NTS
Revision:	B	Date:	7/25/13
Written By:	Bill Svendsen	Date:	1/15/08
Approved By:		Date:	1/15/08
Page 2 of 3	Proprietary and confidential: The information contained in this specification is the sole property of S.R. Smith LLC. Any reproduction in part or whole without the written consent of S.R. Smith LLC is prohibited.		

S.R. Smith, LLC
 P.O. Box 400, 1017 SW Berg Parkway
 Canby, Oregon 97013
 Tel: (800) 824-4387 (503) 266-2231
 Fax: (503) 266-4334
www.srsmith.com