

SECTION
1

General Instructions



Safety Rules For Pool Owners



Your pool contains a large quantity of water, and is deep enough to present inherent dangers to life and health unless the following safety rules are strictly observed. First-time users run the highest risk of injury. Make sure everyone understands all safety rules before entering the pool. Post **NO DIVING** and **NO JUMPING** signs beside the pool. For additional safety information please read the enclosed booklet



1. No Jumping or Diving -

The top ledge of your pool is not a walkway and **must not** be used for jumping or diving. **Do not** permit jumping or diving into the pool from a deck or the top ledge of the pool. Diving or jumping into the pool can result in serious injury.



2. Never use the Pool Alone -

Never permit the pool to be used unless it is attended by at least one person other than the bather. Someone should always be available to lend assistance in an emergency.



3. Never Leave Children Unattended -

Never leave a child alone and unsupervised in or near the pool—not even for a second. There is no substitute for constant adult supervision.



4. No "Rough-housing" -

Do not permit "rough-housing" in and around your pool. Surfaces can become slippery and hazardous when wet.



5. Light the Pool at Night -

If the pool is used after dusk, adequate lighting **must** be provided. Illumination in the pool area must be sufficient to clearly judge pool depth and all features in and around the pool. For lighting recommendations, consult your local licensed electrical contractor.



6. Restrict Access to the Pool -

Do not leave chairs or other furniture beside the pool that could be used by a child to climb up into the pool. Ladders **must** be removed whenever the pool is unattended. A fence with a lockable gate around the pool or yard is strongly recommended and may be required by law in some jurisdictions.



7. No Alcohol or Drugs -

The use of alcohol or drugs **does not** mix with pool activities. Persons who have been drinking alcohol or using any drugs should not be allowed in the pool, and should be carefully supervised in the surrounding area.



8. Keep Your Pool Clean and Sanitary

Your filter system will remove suspended particles from the water and the surface skimmer will remove insects, leaves and other debris from the water surface. Use the correct pool chemicals as directed to destroy harmful bacteria and prevent formation of algae. **Remember**, unsanitary water is a serious health hazard.



A. Introduction to Installing your Pool

Read all instructions completely before you begin.

These instructions explain how to install your pool. Simply follow the step-by-step directions. Start with this part, **SECTION 1** and use the other instructions, **SECTION 2** to **4** to put together your entire pool.

SECTIONS 1, 2 and **3** have information for several different pool sizes and styles; follow the instructions carefully to make sure you use the information that apply to your specific pool.

SECTION 1 also has **Safety Rules** and instructions to help you keep your pool clean and in good shape, year after year. Be sure to read the **Safety Rules**, and make sure everyone who uses your pool reads and understands them.



B. Determine a Location for your Pool -

Important Note:

This pool has been designed to allow for installation on a level concrete pad. The pad must be a minimum of 3"(8cm) thick and poured onto solid undisturbed ground.

Note: A brick sand or stabilizer bottom & a brick sand or stabilizer cove still must be installed over the concrete foundation to protect the liner. this is detailed in Section 2 of the pool frame installation manual.



Important Note:

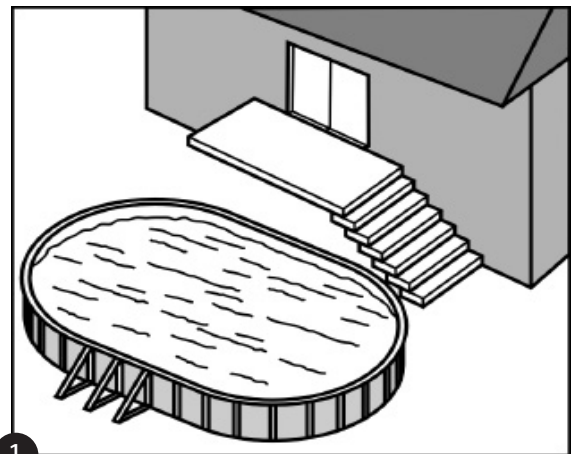
Ground preparation is one of the most important steps in the installation process. A proper foundation will ensure the rest of the pool assembly goes smoothly and that no problems will occur when the pool is filled with water.

Open all of the frame cartons and read all of the instructions before you begin. Be sure to read Section 2 and get a complete overview of the pool base and buttress assembly before starting the ground preparation.

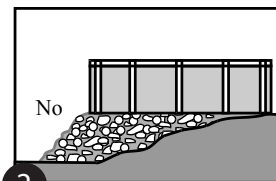
1. The Terrain

Pay special attention to choosing the right location for your pool:

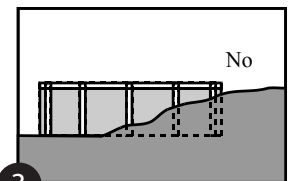
- Choose a large area, as flat and level as possible.
- Choose a spot on dry, firm earth—**do not** install the pool on asphalt, tar paper, sand, gravel, peat moss, wood or chemically treated soil.
- Check with your pool dealer to see if Nut Grass grows in your area. This type of grass may grow up through your pool liner. Your dealer will be able to advise how best to treat the site.
- Sloped areas will need to be made level by digging away high spots, **not** by filling low spots—be prepared to hire earth-moving equipment if necessary.



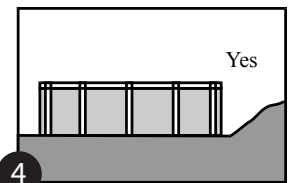
1



2



3



4





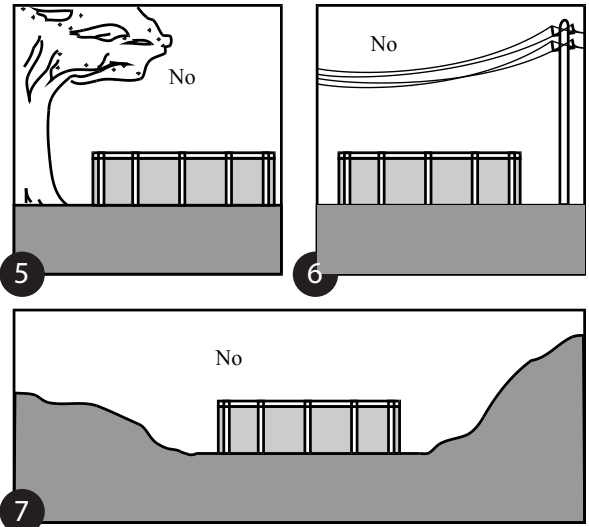
Important:

When locating the centreline of the pool, **be sure** to take into consideration any structures (deck, patio, house) or relevant items (change rooms, gazebo, etc.) that the pool may need to line up with and ensure that the pool is in the most visual pleasing location for your property.

2. Things to Avoid

Do not locate your pool near or on any of the following:

- Overhanging tree branches.
- Overhead wires, clotheslines.
- Buried pipes and wires—contact your gas, electric and telephone utilities to find buried pipes and wires **before** you dig.
- Hilly and uneven terrain.
- Areas with poor drainage.
- Grass, stones and roots. Grass will rot underneath the pool liner, and stones and roots will damage the pool liner.
- Areas recently treated with oil-based weed killers, chemicals or fertilizers.



3. Plan Ahead

- Will you be adding an adjacent deck later? Be sure to leave room.
- Will you be using pool accessories or other appliances that need electricity or gas? Locate your pool near these services or plan to have them installed later by a licensed contractor.

C. Prepare the Foundation of your Pool

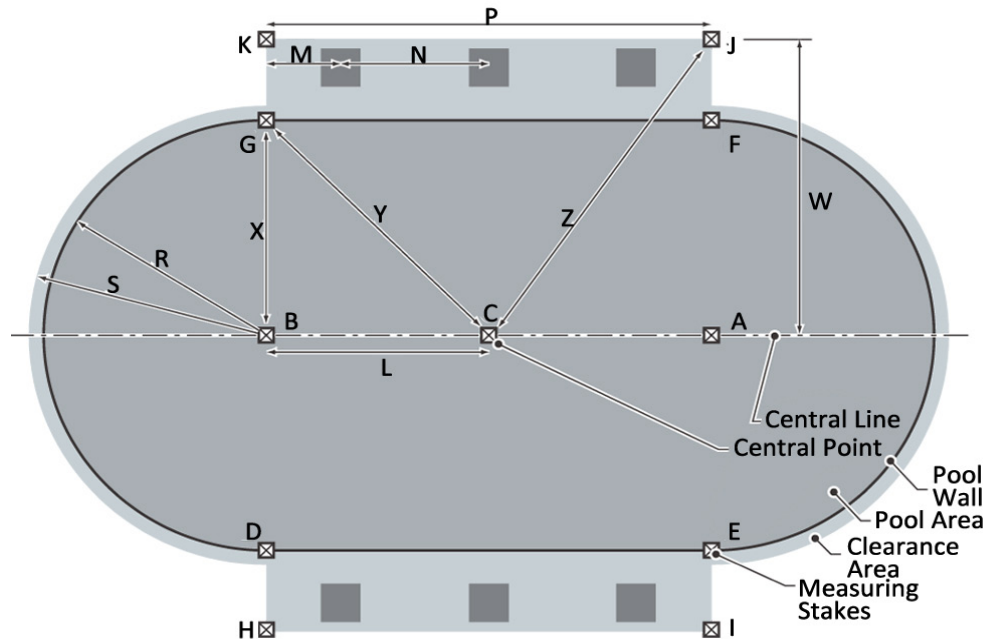
1. Choose the Correct Ground Preparation Drawing

a. Choose the drawing that matches your pool size from the five plan drawings below. This drawing will have all of the necessary dimensions for the ground preparation instructions that follow.

15 x 30 (4,57m x 9,14m)

Oval Pool Dimensions

R	90" (229 cm)
S	102" (259 cm)
L	90" (229 cm)
M	30-1/2" (77 cm)
N	59-1/2" (151 cm)
P	180" (457 cm)
W	134" (340 cm)
X	90" (229 cm)
Y	127-1/4" (323 cm)
Z	161-1/2" (410 cm)



No Diving or Jumping.

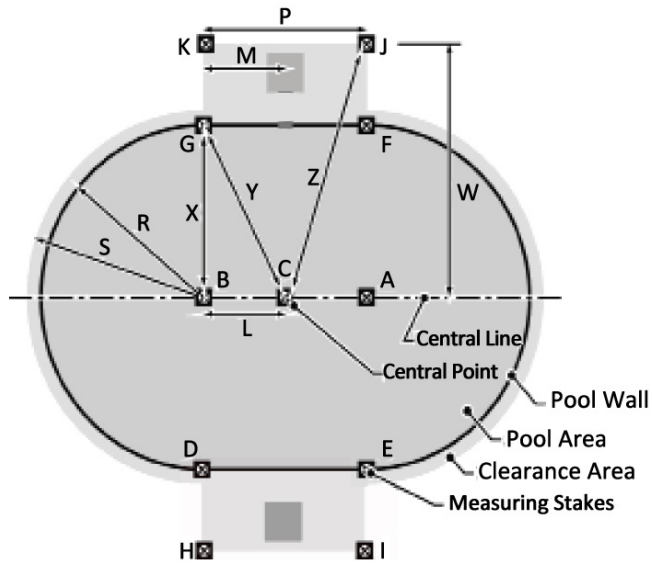


Observe all Safety Rules.

12 x 18 (3,66m x 5,49m)

Oval Pool Dimensions

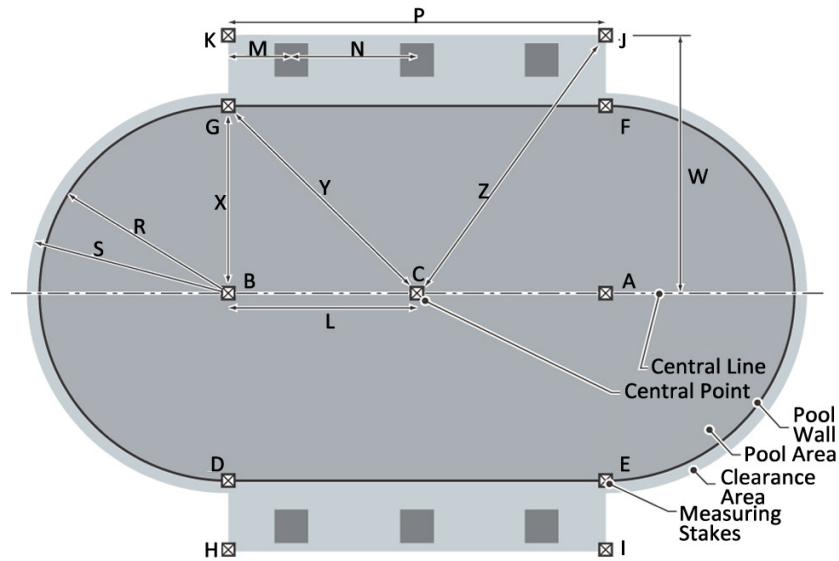
R	72" (183 cm)
S	84" (213 cm)
L	36" (91 cm)
M	36" (91 cm)
P	72" (183 cm)
W	116" (295 cm)
X	72" (183 cm)
Y	80-1/2" (204 cm)
Z	121-1/2" (309 cm)



12 x 24 (3,66m x 7,32m)

Oval Pool Dimensions

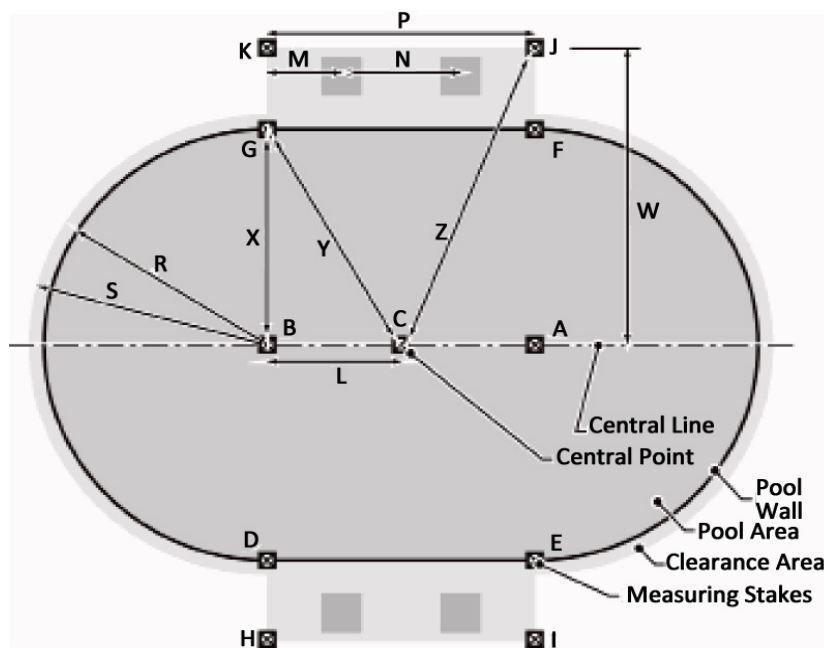
R	72" (183 cm)
S	84" (213 cm)
L	72" (183 cm)
M	24" (61 cm)
N	48" (122 cm)
P	144" (366 cm)
W	116" (295 cm)
X	72" (183 cm)
Y	101-3/4" (258 cm)
Z	136-1/2" (347 cm)



15 x 24 (4,57m x 7,32m)

Oval Pool Dimensions

R	90" (229 cm)
S	102" (259 cm)
L	54" (137 cm)
M	30" (76 cm)
N	48" (122 cm)
P	108" (274 cm)
W	134" (340 cm)
X	90" (229 cm)
Y	105" (267 cm)
Z	144-1/2" (367 cm)



No Diving or Jumping.

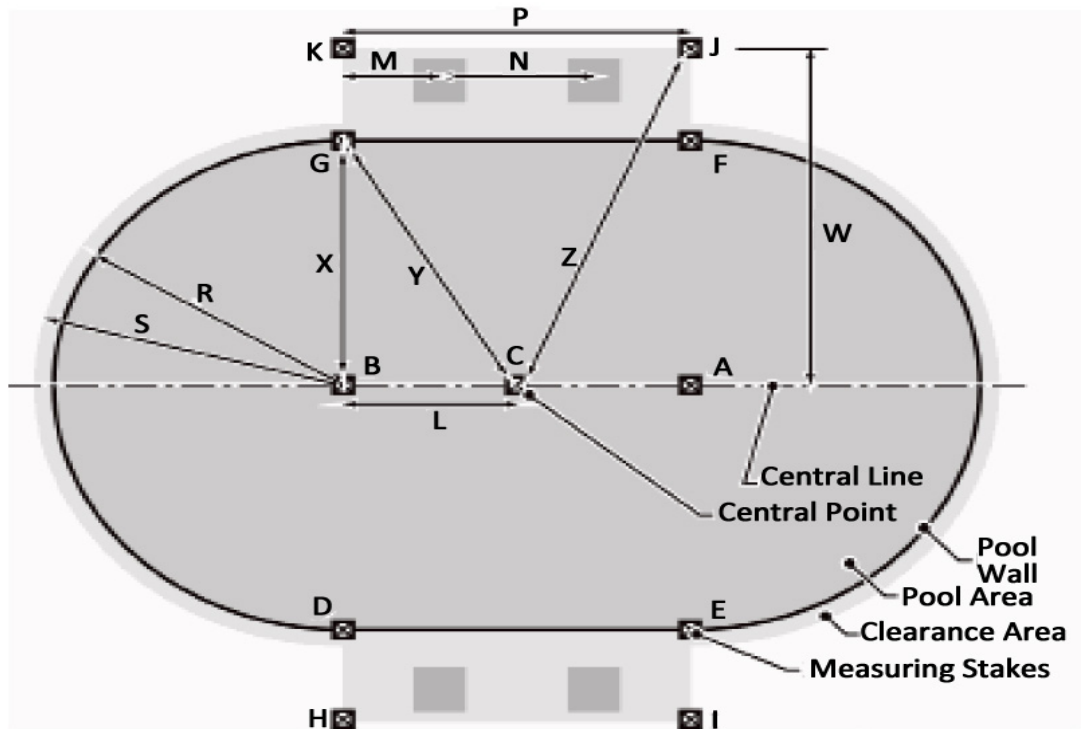


Observe all Safety Rules.

18 x 33 (5,49m x 10,05m)

Oval Pool Dimensions

R	108" (274 cm)
S	120" (305 cm)
L	90" (229 cm)
M	30-1/2" (77 cm)
N	59-1/2" (151 cm)
P	180" (457 cm)
W	152" (386 cm)
X	108" (274 cm)
Y	140-5/8" (357 cm)
Z	176-5/8" (449 cm)



Important:

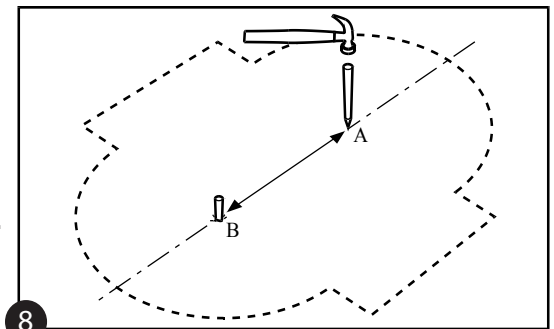
Determine the location of your pool. Make sure you have the proper distances away from any adjacent structures (i.e. fences, house etc.). Contact local authorities for this information and any additional requirements governing the installation of a pool in your area.

By using the distances provided by local authorities and adding them to dimension S from the drawings above, you can calculate the location of the centreline of the pool.

2. Mark out the Area

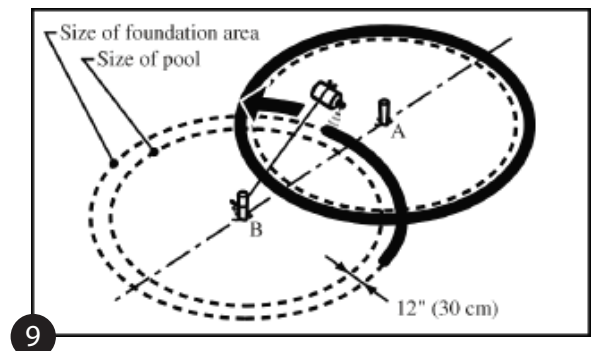
- a. Drive two pegs (A) and (B) into the ground. These pegs will both be on the **central line** of your pool. Choose the right distance between them from the chart below.

Note: Distance **A** to **B** is equal to dimension **P** on the pool drawings above.



Pool Size	Distance between two pegs (A) and (B)
12' x 18' (3,66m x 5,49m)	72" (183 cm)
12' x 24' (3,66m x 7,32m)	144" (366 cm)
15' x 24' (4,57m x 7,32m)	108" (274 cm)
15' x 30' (4,57m x 9,14m)	180" (457 cm)
18' x 33' (5,49m x 10,05m)	180" (457 cm)

- b. Use a length of string tied between peg (A) and a can of spray paint, and mark a circle on the ground. Next, do the same for peg (B). Choose the length of string you need for your pool from the chart on the next page. The circles will be 12" (30 cm) bigger all round than the pool.



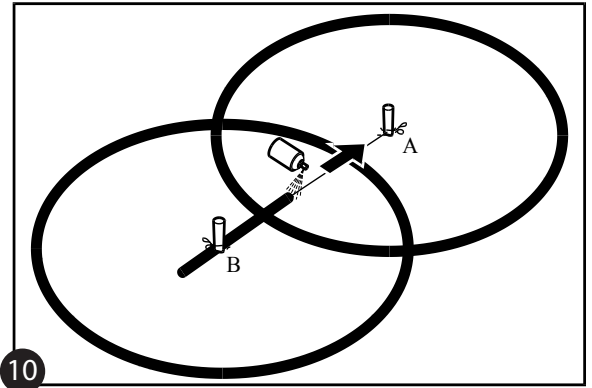
No Diving or Jumping.



Observe all Safety Rules.

Pool Size	Length of String
12' x 18' (3,66m x 5,49m)	84" (213 cm)
12' x 24' (3,66m x 7,32m)	84" (213 cm)
15' x 24' (4,57m x 7,32m)	102" (259 cm)
15' x 30' (4,57m x 9,14m)	102" (259 cm)
18' x 33' (5,49m x 10,05m)	120" (305 cm)

- c. Join the two pegs (A) and (B) with a piece of string. Use this string as a guide to paint your centreline on the ground with the can of spray paint.



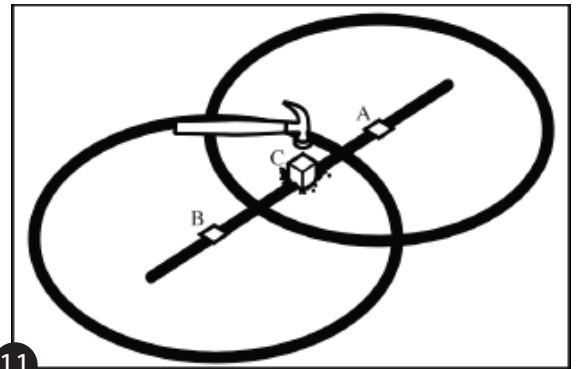
10



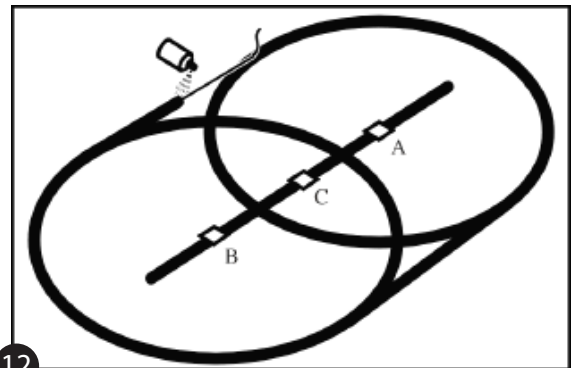
Important:

Measure carefully to make sure the centre stake (C) is in the correct location, exactly halfway between pegs (A) and (B). You will use stake (C) later as a reference point for other measurements.

- d. Drive a flat-topped stake (C) **exactly halfway** between the two pegs (A) and (B) on the centreline. Stake (C) will mark the exact centre point of your pool. The stake must be at least 1" (25 mm) square and 6" (15 cm) long. Drive it down flush with the ground surface.
- e. Replace the two pegs (A) and (B) with two more flat-topped stakes. Drive them down flush with the ground surface.
- f. Join the two circles with straight lines to make an oval. Use pegs and a piece of string as a guide for the can of spray paint.



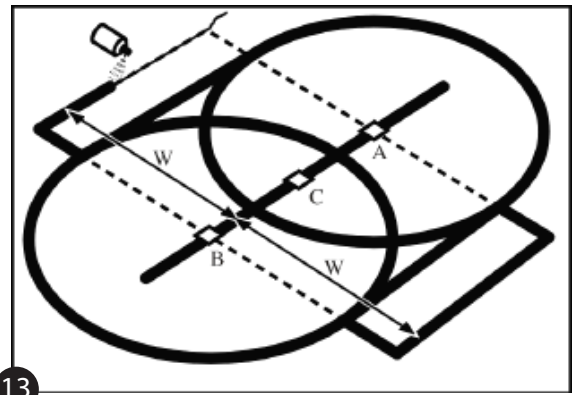
11



12



- g. Mark areas along both straight sides of your oval. Use pegs and string as a guide for the can of spray paint to mark straight lines. Use the chart below to find the correct **width W** from the centreline of the pool. The ends of the side areas should line up squarely with stakes (A) and (B).

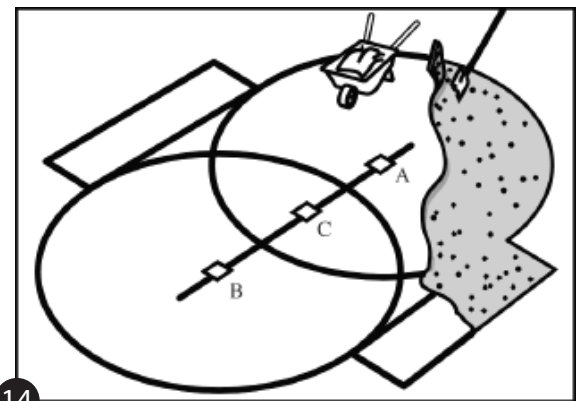


13

Pool Size	Distance from Centreline for Side Area W
12' x 18' (3,66m x 5,49m)	116" (295 cm)
12' x 24' (3,66m x 7,32m)	116" (295 cm)
15' x 24' (4,57m x 7,32m)	134" (340 cm)
15' x 30' (4,57m x 9,14m)	134" (340 cm)
18' x 33' (5,49m x 10,05m)	152" (386 cm)

3. Remove the Sod

- Remove all sod and plants from the area.
- Remove any sticks, stones and roots from the area.



14

4. Make the Area Flat and Level

- You will use a wood plank (5cm x 10cm) to help level the pool foundation area. Choose the length of **straight** plank (5cm x 10cm) you need for your pool from the chart below.

Pool Size	Length of plank (5cm x 10cm)
12' x 18' (3,66m x 5,49m)	84" (213 cm)
12' x 24' (3,66m x 7,32m)	84" (213 cm)
15' x 24' (4,57m x 7,32m)	102" (259 cm)
15' x 30' (4,57m x 9,14m)	102" (259 cm)
18' x 33' (5,49m x 10,05m)	120" (305 cm)

- Adjust the height of the stake (A, B or C) that is located at the **lowest** end of the pool area by hammering it down until it is **exactly** level with the ground. Place a carpenter's level on a plank (5cm x 10cm) and place the board across the three stakes to make sure the tops are exactly level with each other. Adjust the other two stakes down as needed.

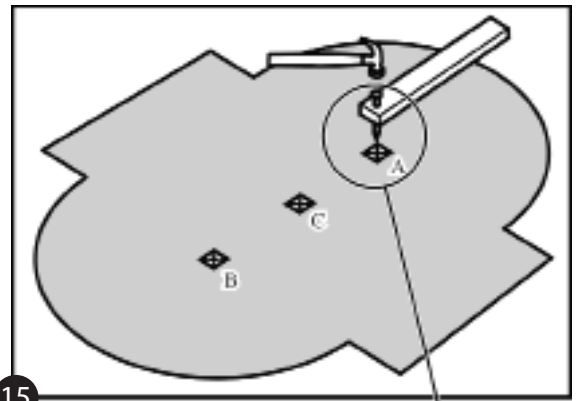


Remember:

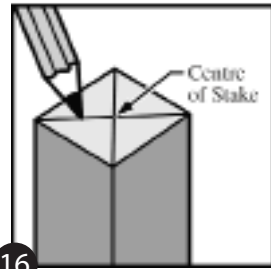
Your pool must be perfectly level. Take the time you need to be sure your foundation is perfectly level.



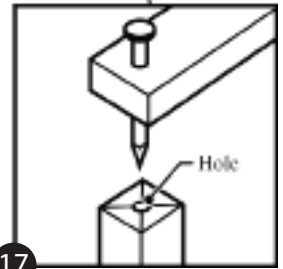
- c. Nail one end of the plank (5cm x 10cm) to the top of the stake where the level of the pool foundation is **lowest**. Drill a hole for the nail in the **centre** of the top of the stake first and make the hole big enough so the nail is a little loose and can be removed without moving the stake. Mark the centre of the stake before you drill the hole by marking lines diagonally from opposite corners (see diagram 16). Use a nail long enough to hold the end of the plank (5cm x 10cm) to the stake while you rotate it in a circle.



15

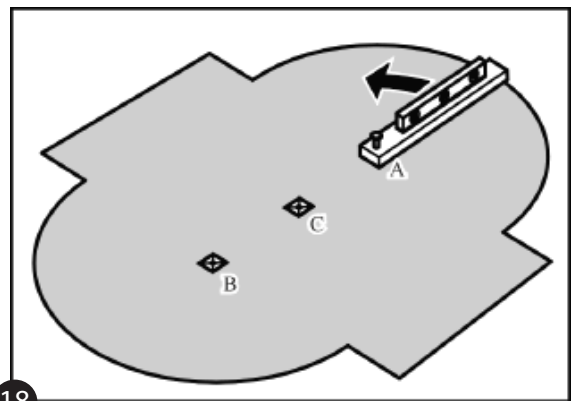


16



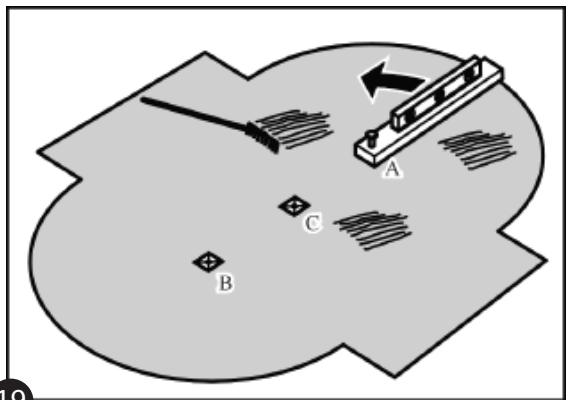
17

- d. Put a carpenter's level on the plank (5cm x 10cm) and swing the board in a circle to find the high and low spots.

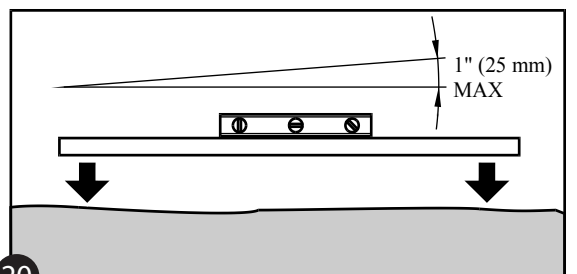


18

- e. Remove all the high spots with a shovel, hoe or rake. Be prepared to hire earth-moving equipment if you need to level a large area. Remember, your pool **must** be level within 1" (25 mm) across the pool. If necessary, adjust the height of the stake and keep scraping away soil until the area is level.



19



20

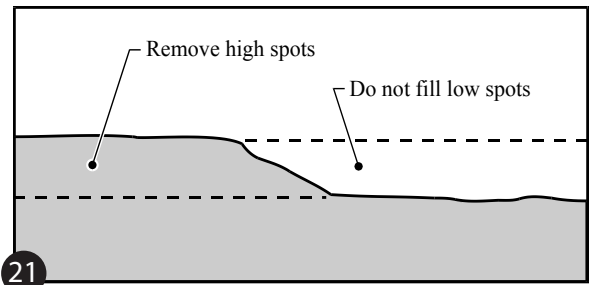


Hint:

Use a surveyor's transit instead of a carpenter's level, if one is available.



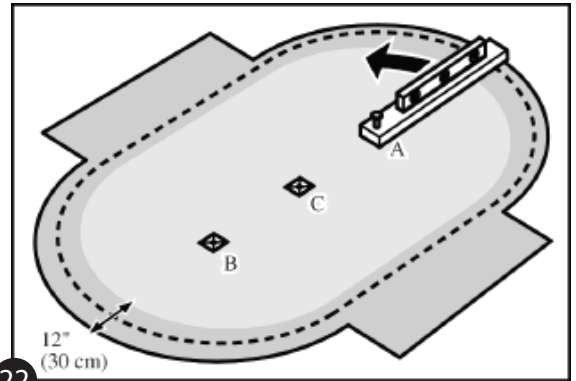
- f. **Do not** fill in low areas. Filling will create an unsafe foundation for your pool. Holes from small stones and small dips and hollows may be filled in, but the soil **must** be hard-packed with a tamping tool.



21

- g. Remove the plank (5cm x 10cm) from the stake and nail it to the next stake on the centreline.
- h. Repeat the last five steps until the whole oval area is level. Take your time and make sure the area is **perfectly level**. Remember, your pool **must** be level within 1" (25 mm) across the pool. If necessary, adjust the height of each stake and keep scraping away soil until the entire area is level.

- i. Make the wide areas along the sides of the oval level with the rest of the area.
- j. Recheck the outer 12" (30 cm) of the round ends, where the pool wall will be, and the areas along the straight sides of the oval. Make sure there are no high or low spots. The bottom edge of the pool **must** rest flat on the ground and have no gaps under it.



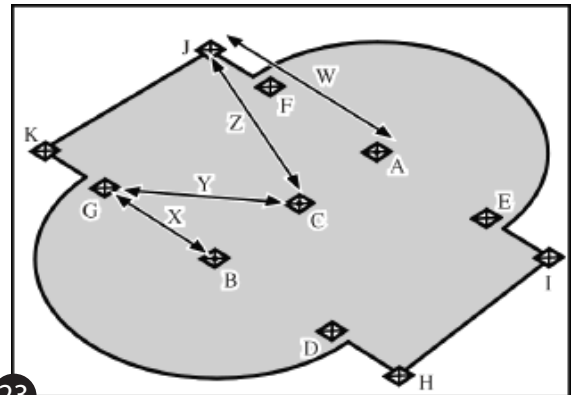
22

5. Add Corner Stakes

- a. Prepare eight corner stakes (D), (E), (F) & (G), and (H), (I), (J) & (K) by marking the centre point of each stake the same way as in step 4(c).

- b. Drive the eight corner stakes into the ground. Drive them down flush with the ground surface. Locate each stake exactly by using the measurements for your pool in the chart below. Be sure to measure using the centre point of each stake.

- c. Tie strings between stakes (H) and (I) and between (J) and (K).



23

Pool Size	Distance X	Distance Y	Distance W	Distance Z
12' x 18' (3,66m x 5,49m)	72" (183 cm)	80-1/2" (204 cm)	116" (295 cm)	121-1/2" (309 cm)
12' x 24' (3,66m x 7,32m)	72" (183 cm)	101-3/4" (258 cm)	116" (295 cm)	136-1/2" (347 cm)
15' x 24' (4,57m x 7,32m)	90" (229 cm)	105" (267 cm)	134" (340 cm)	144-1/2" (367 cm)
15' x 30' (4,57m x 9,14m)	90" (229 cm)	127-1/4" (323 cm)	134" (340 cm)	161-1/2" (410 cm)
18' x 33' (5,49m x 10,05m)	108" (274 cm)	140-5/8" (357 cm)	152" (386 cm)	176-5/8" (449 cm)



Remember:

The outer 12" (30 cm) of the cleared oval area must be perfectly flat. The bottom edge of the pool must rest flat on the ground and have no gaps under it. Take the time you need to be sure this area is perfectly flat and level.



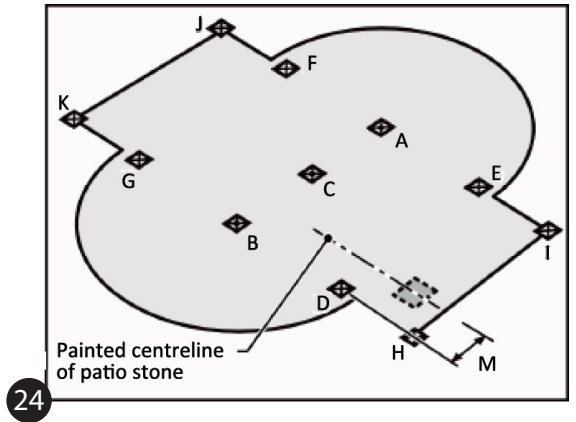
Hint:

Instead of wooden corner stakes, you can use 12" (30 cm) spikes.



6. Prepare Patio Stones

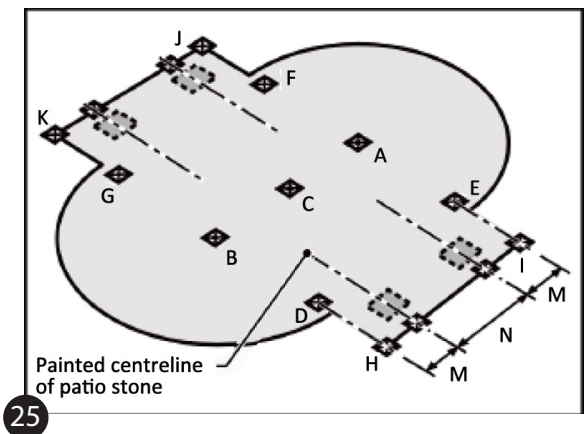
- Locate the first patio stone by measuring the **distance M** from the centre of stake (H) to the **centraline** of the stone. Use the chart below to find the right distance M for your pool.
- Place a stake in the ground on the edge of the cleared area at distance M, underneath the string added in step 5(c).



Pool Size	Distance from Stake to Patio Stone Centreline M	Distance between Patio Stones Nt
12' x 18' (3,66m x 5,49m)	36" (91 cm)	n/a
12' x 24' (3,66m x 7,32m)	24" (61 cm)	48" (122 cm)
15' x 24' (4,57m x 7,32m)	30" (76 cm)	48" (122 cm)
15' x 30' (4,57m x 9,14m)	30-1/2" (77 cm)	59-1/2" (151 cm)
18' x 33' (5,49m x 10,05m)	30-1/2" (77 cm)	59-1/2" (151 cm)

(n/a = not applicable)

- Repeat steps (a) and (b) to locate the next patio stone along the side of the pool. Measure the **distance N** from the centreline of the first patio stone to the centreline of the next patio stone. Use the chart above to find the right distance N for your pool. (**Important Note:** The 12 x 18 (3,66m x 5,49m) pool has only **one** patio stone per side; the 15 x 24 (4,57m x 7,32m) pool has two patio stones per side; the 12 x 24 (3,66m x 7,32m); 15 x 30 (4,57m x 9,14m) and 18 x 33 (5,49m x 10,05m) pools all have three patio stones per side.)



- Place another stake in the ground on the edge of the cleared area at distance N, underneath the string added in step 5(c).
- Repeat steps (a) to (d) for the other side of your pool.
- Tie a string between each pair of stakes on opposite sides of the cleared area (the stakes added in steps (b) and (d), above) to mark the centreline of the patio stones.
- Mark the centrelines along each string with the can of spray paint.
- Recheck your measurements. Make sure the distances M and N **exactly** match the distances given in the chart above (see also diagram 26) and that the centrelines for the patio stones are **exactly parallel**.
- Remove the strings. (**Note:** Keep the strings. They will be temporarily replaced later, after the patio stones are dug out, to help you doublecheck that the trenches are parallel.)



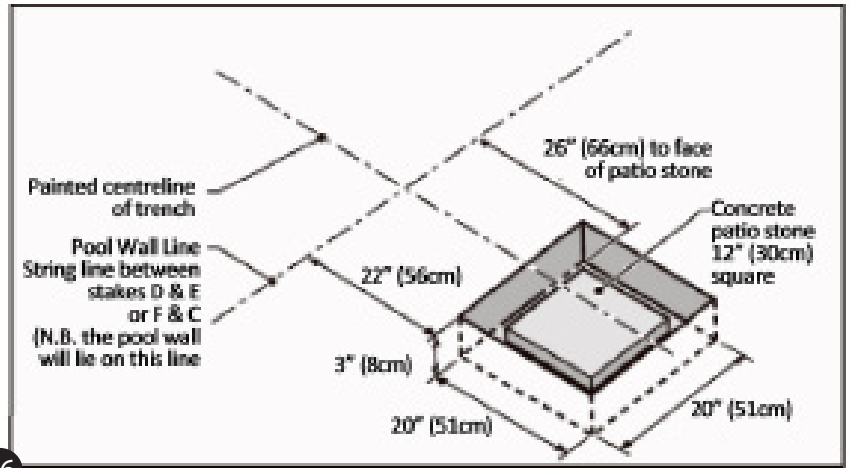


Hint:

Stabilizer or equivalent must be used to backfill the patio stone trenches.

- j. Carefully dig out each patio stone trench. Measure from the centreline painted on the ground and the line between the stakes. Do

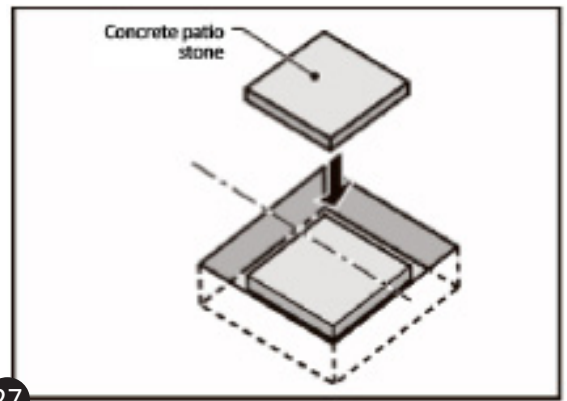
26



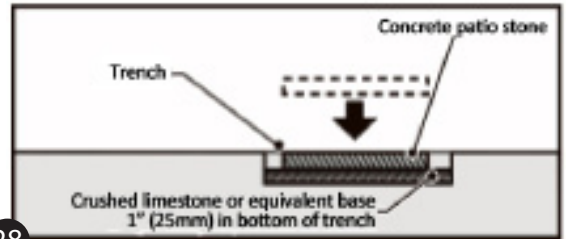
not dig the trenches too large or too deep; the ground around the edges of each trench must remain firm and undisturbed.

- k. Temporarily replace the strings removed in step (i) to check that the trenches are **exactly parallel**. Remove the strings again when you are finished.
- l. Spread a layer of crushed limestone (or equivalent) 1" (25 mm) thick into the bottom of the of each trench. Pack firmly.
- m. Place a concrete patio stone 12" x 12" square x 2" thick (30 x 30 x 5 cm) into each trench, on top of the limestone layer. Make sure it is level and positioned correctly.

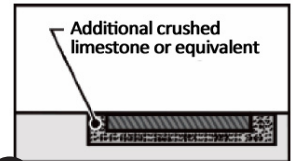
27



28



29



- n. Fill the trenches in with stabilizer (or equivalent). Fill them up to the top edges of the patio stones. Spray it with some water to help with the compaction. Stand on the patio stone and tamp down the stabilizer until a solid base is achieved (standing on the patio stone helps prevent the stone from moving). Do not tamp too hard or the patio stone will move.
- o. Recheck the distances between the patio stone and make any adjustments you need to make sure the spacing is **exactly** right. Refer to page 1-10, Step 6 for measurements.



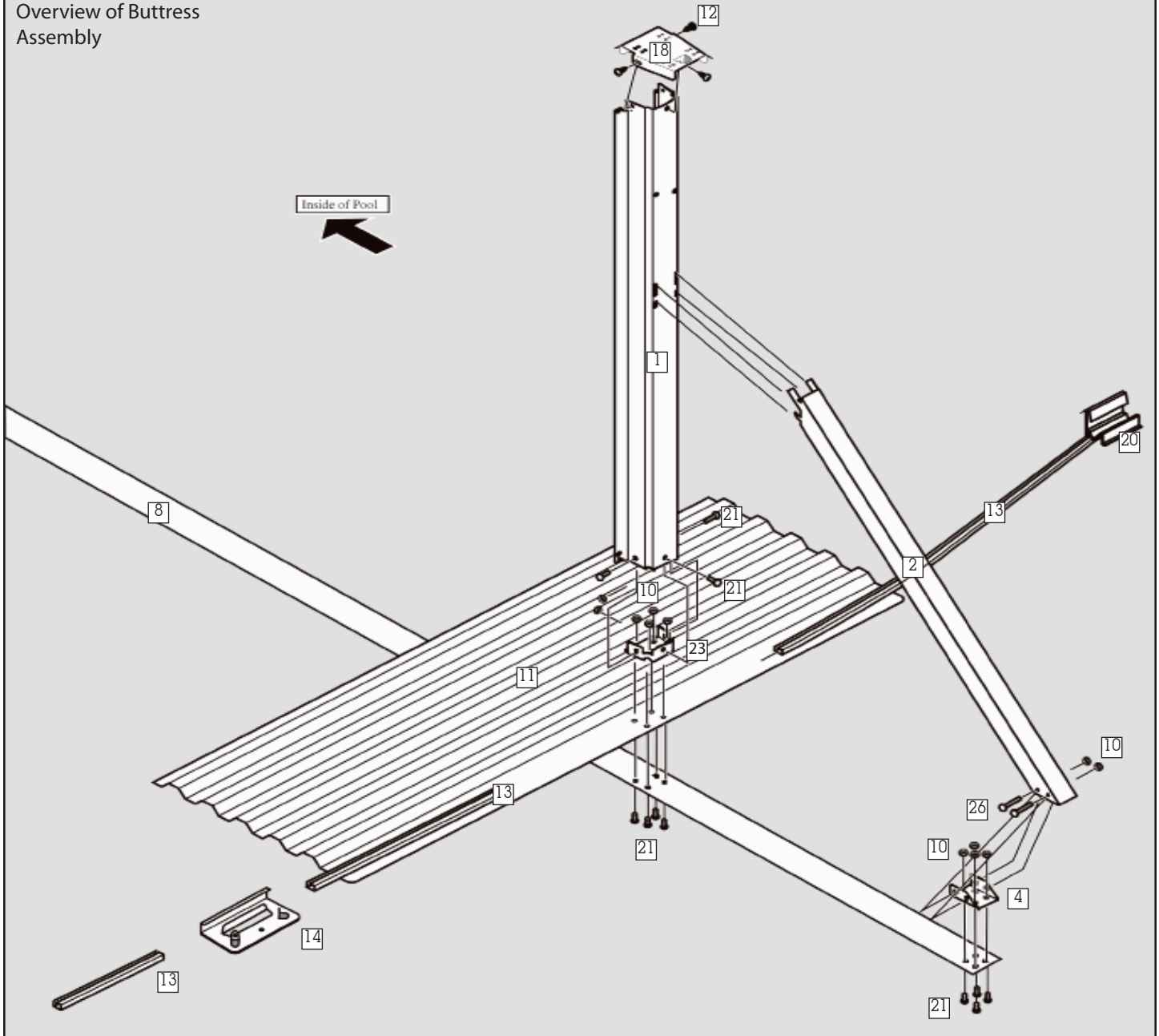
Caution:

Make sure there is adequate drainage in the bottom of each trench and along the sides of the pool area. There must be adequate drainage for a safe and secure pool foundation.

• See the drawing on the next page for an overview of all the parts used to install the buttresses, uprights and base rails.






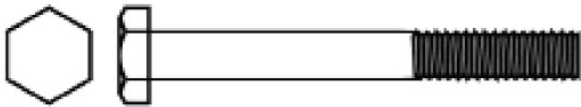
Parts List and
Overview of Buttruss
Assembly



Key	Part Name	Part No.	Qty.
1	Upright	(pool specific)	
2	Diagonal	(pool specific)	
4	Diagonal Bracket	1320152	1
8	Strap	(pool specific)	
11	Hold Down Plate	1320162	1
13	Curved Bottom Rail	(pool specific)	
14	Base Plate	(pool specific)	
18	Top Plate	(pool specific)	
20	Rail Support	(pool specific)	
23	Base Plate	1320154	1

Key	Part Name	Part No.	Qty.
-	Hardware Bag (Yellow)	1184292	1
	1 per set of buttrusses; each bag contains:		
10	1/4"-20NC serrated flange hex nut	1184052	26
12	No. 12 x 1/2" self-tapping screw, pan head Phillips	1183273	20
21	1/4"-20NC x 3/4" hex bolt	1184275	22
26	1/4"-20NC x 2-1/4" hex head bolt	1184276	4

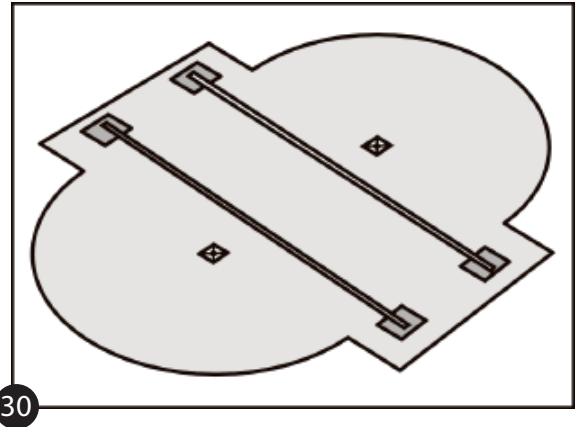


HARDWARE FOR CHANNEL LOK-II POOLS			
DESCRIPTION	PART NUMBER	ACTUAL SIZE	TOOL REQUIRED FOR INSTALLATION
SELF TAPPING SCREW #12 X 1/2 INCH (1,2cm) LONG	1183273		PHILLIPS NUMBER 3 SCREWDRIVER OR RED HANDLE #2 ROBERTSON SCREWDRIVER
SERRATED FLANGE HEXAGON NUT 1/4-20 (0,6cm)	1184052		7/16 INCH (1,1cm) WRENCH OR SOCKET
HEXAGON HEAD BOLT 1/4-20 X 3/4 INCH LONG (0,6cm x 1,9cm)	1184275		7/16 INCH (1,1cm) WRENCH OR SOCKET
HEXAGON HEAD BOLT 1/4-20 X 2 1/4 INCH LONG (0,6cm x 5,7cm)	1184276		7/16 INCH (1,1cm) WRENCH OR SOCKET

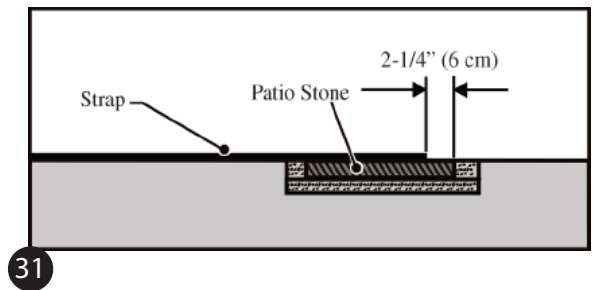


7. Strap Preparation for the Buttresses

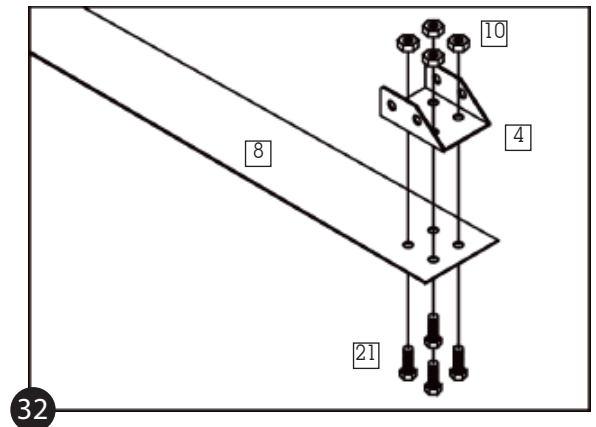
- a. **Gently** flatten any kinks or bends out of the straps (key 8).
- b. Lay the strap across the levelled area for the pool as shown in diagram 30. Centre the strap over the patio stone as shown in diagram 30.



Space the end of the strap 2-1/4" (6 cm) from the outside edge of the patio stone.



- c. Fasten one diagonal bracket (key 4) to the strap (key 8) using four 3/4" long bolts (key 21) and nuts (key 10). Make sure the angled part of the bracket is facing the correct direction as shown in diagram 32. The surface that the diagonal bracket is fastened to will be the top of the strap.



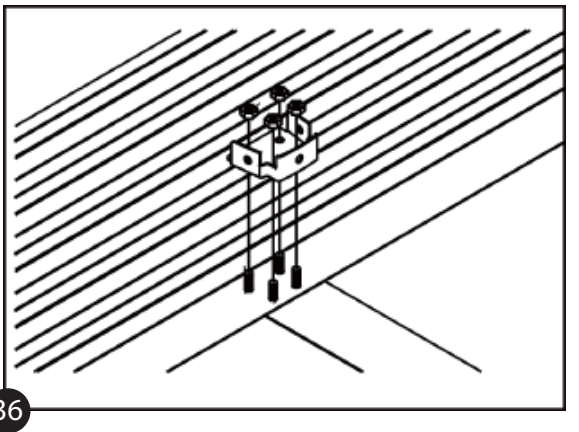
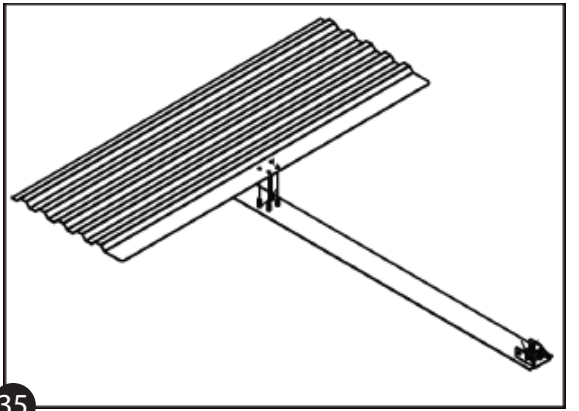
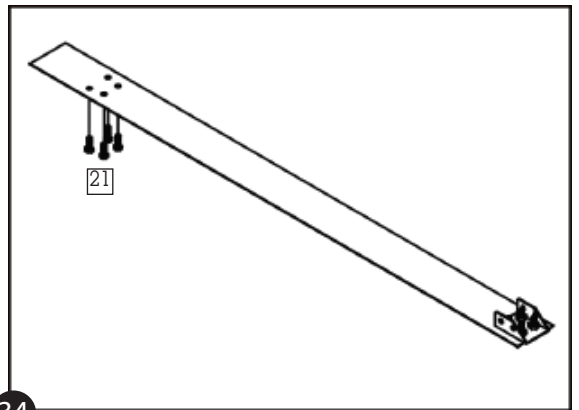
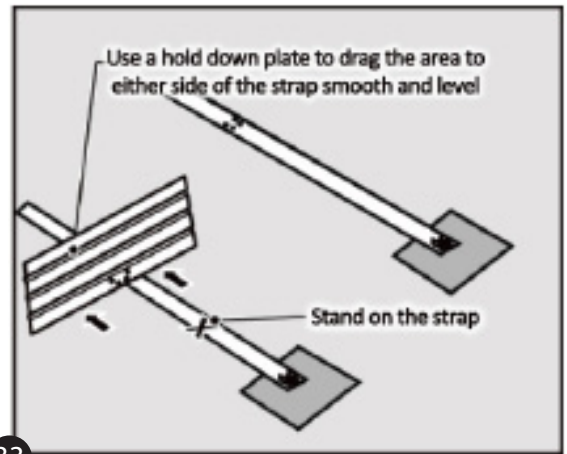
- d. Repeat steps (a) to (c) for the other end of the strap.
- e. Repeat steps (a) to (d) for the other straps.



8. Installing the Upright

- a. Using a straight edge (you can use one of the hold down plates), drag along the top edge of the strap to ensure the ground is **exactly** even and level with the strap (the area 24" (61 cm) beyond each side of the strap must be level too). If it is not level, spread some crushed limestone (or equivalent) on the ground. Stand on the strap and tamp it down hard with a tamping tool. Verify the ground is level to the strap by running the straight edge along the top edge of the strap. Repeat this step until the ground is level.

- b. Gently lift the strap and insert four 3/4" long bolts (key 21) into the holes closest to the centre of the pool. Ensure the bolt heads are facing the ground. Lay the strap back down on the ground and place the hold down plate and base plate (as shown in diagram 36) over the bolts protruding from the strap and fasten the nuts to the bolts and tighten.

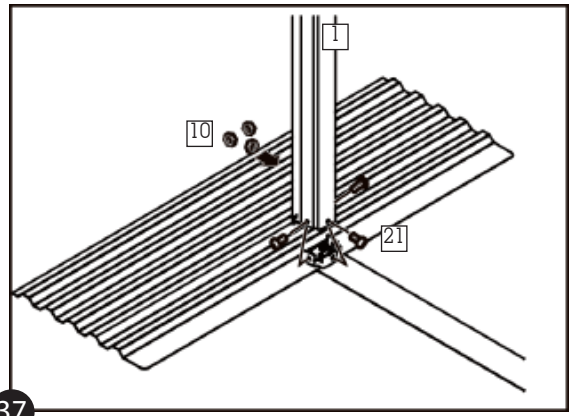




Caution:

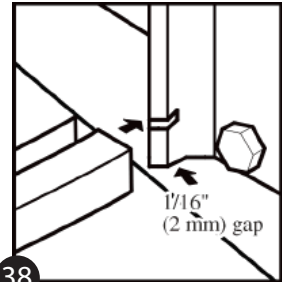
Failure to properly install and tighten all of the bolts and nuts may void the warranty on your pool.

- c. Fasten one upright (key 1) to the base plate using three 3/4" long bolts (key 21) and nuts (key 10). Make sure the bottom end of the upright is fastened to the base plate. The bottom end of the upright has three large holes which are used to fasten to the base plate.



37

- d. When you come to section 2, you will install the bottom rails, linking them to the buttresses. Make sure now that there is approximately a 1/16" (2 mm) gap under the tab at the bottom of each upright so the bottom rails slide on easily.

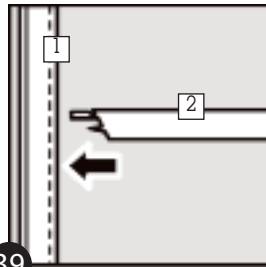


38

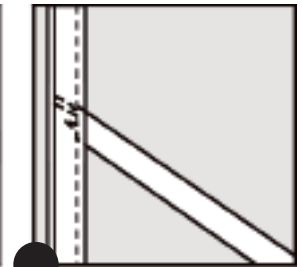
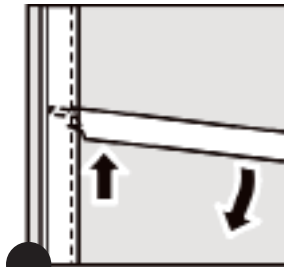
- e. Repeat steps (a) to (d) for the other side of the pool.

9. Install the Diagonals

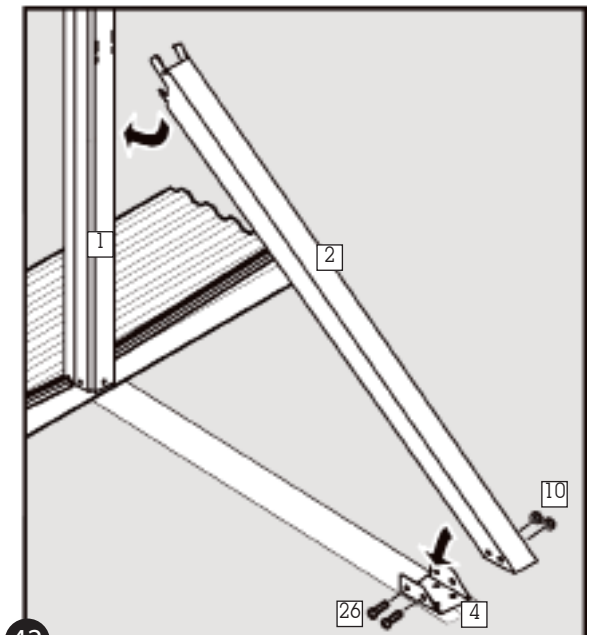
- a. Hold one diagonal brace (key 2) approximately horizontal, insert the four tabs at the end of the diagonal into the slots in the upright (key 1) (see diagram 39).



39



42



Important:

Ensure all four tabs at the end of the diagonal are inserted into the slots in the upright.

- b. Pull upward on the inserted end of the diagonal to make the tabs slide up and lock into position in the slots. At the same time, swing the other end of the diagonal down onto the diagonal bracket (key 4) on the base channel (see diagrams 40 and 41).

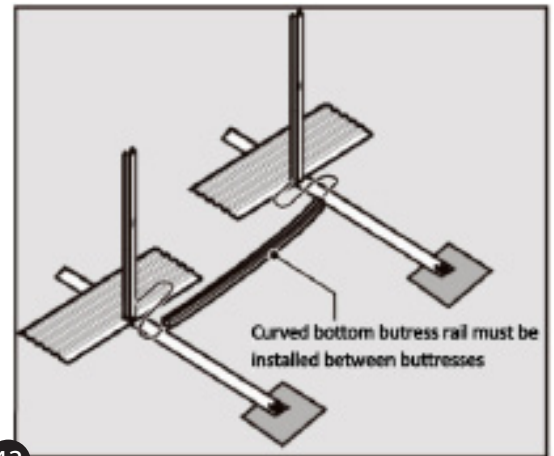


Very important: as you swing the diagonal down, make sure you apply constant upward pressure on the end of the diagonal brace with the tabs to ensure they stay fully locked in position in the slots.

- c. Fasten the bottom end of the diagonal brace to the diagonal bracket (key 4) with two 2-1/4" (57 mm) bolts (key 26) and nuts (key 10). **Do not** overtighten the bolts. They only need to be snug enough to ensure a secure fit (see diagram 42).
- d. Repeat steps (a) to (c) for the other side of the pool.
- e. Repeat steps (7) to (9) for the rest of the buttresses.

10. Buttress Location Verification

- a. Tie strings between stakes (D) and (E) and between (F) and (G). These will be used as a reference to make sure the buttresses are exactly lined up with each other. Stand at each corner of the pool and check the alignment of the buttresses with the strings.
- b. Jump to Section 2 and complete steps 1(a) and (b). This will allow you to install the bottom buttress rails, ensuring the correct distance between the buttresses. **Important:** complete only steps 1(a) to (c) for now, and then continue with step 11 below; you will complete the rest of Section 2 later.

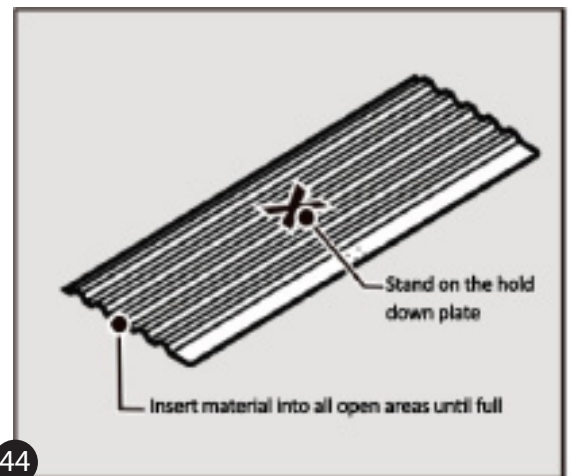


Important:

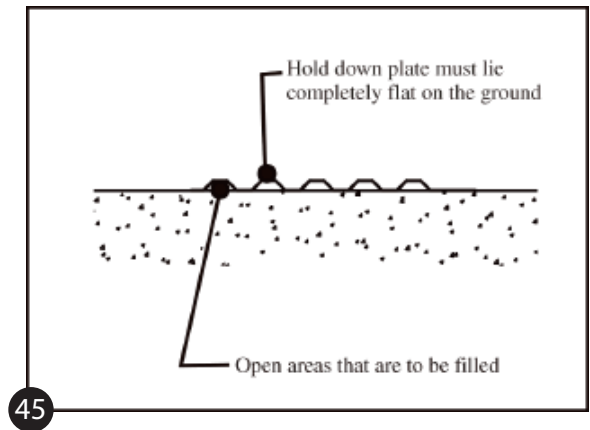
After the ends of the hold down plate has been filled with material, place a sheet of plastic (approximately 15" x 15" (38cm x 38cm)) at each end of the hold down plate. This will prevent any additional material from flowing into the ends of the hold down plate that may cause low spots to form around the

11. Fill in the Hold Down Plates

- a. Standing on the hold down plate, insert material into all open voids on the outside edges of the hold down plates until they are full. These voids are the open areas between the ground and the top edges of the hold down plate. This will prevent any low spots from forming around the hold down plates when the pool is filled with water.



Important: Make sure each hold down plate lies completely flat. The hold down plate **must** lie flat or it may lift and damage the pool liner after the pool is filled with water.



- b. Repeat step (a) for the other hold down plates.

12. Remove the strings and stakes

- a. Make sure all of the strings and stakes (**except** stakes (A) and (B)) are removed from the entire pool area and fill in any holes with crushed limestone (or equivalent). Leave stakes (A) and (B) in place for now; they will be used later to centre the pool wall.



Assembling the Pool

Base & Side Buttresses

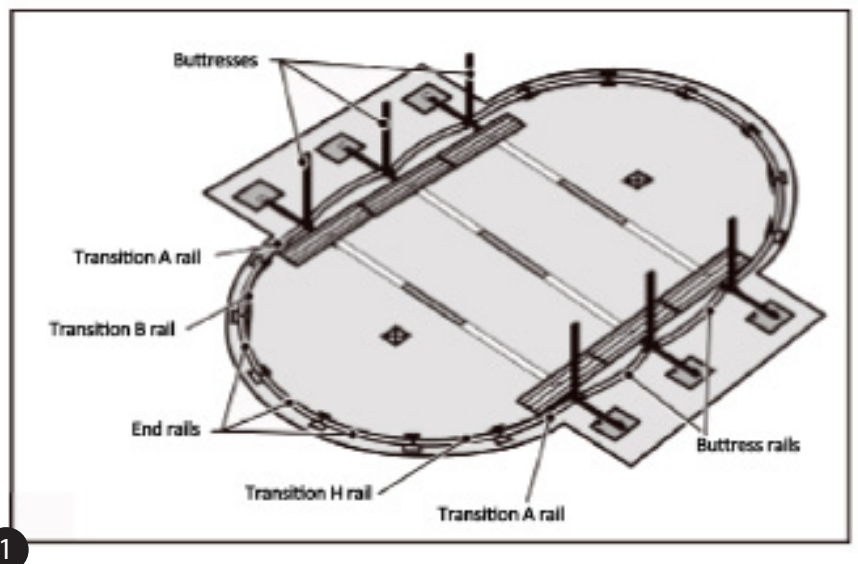
1. Install the Curved Bottom Rails

- a. Each pool uses two, three or four different types of curved bottom rails (key 13). The rails are colour coded or stamped with a part number. Use the chart below to choose the types and quantities of bottom rails for your pool (part numbers are shown in brackets under each colour).

Pool Size	Quantity and Colour Code (with part numbers.)			
	Buttress Rail	Transition Rail A	Transition Rail B	End Rail
12' x 18' (3,66m x 5,49m)	n/a	4 yellow (no. 1460050)	n/a	8 plain (no. 1460048)
12' x 24' (3,66m x 7,32m)	4 white (no. 1460105)	4 blue (no. 1460138)	n/a	8 plain (no. 1460048)
15' x 24' (4,57m x 7,32m)	2 white (no. 1460105)	4 orange (no. 1460052)	n/a	8 plain (no. 1460049)
15' x 30' (4,57m x 9,14m)	4 green (no. 1460033)	4 orange (no. 1460052)	n/a	8 plain (no. 1460049)
18' x 33' (5,49m x 10,05m)	4 green (no. 1460033)	4 orange (no. 1460052)	4 orange (no. 1460052)	6 plain (no. 1460050)

(n/a = not applicable; plain = no colour code)

The 18 x 33 (5,49m x 10,05m) pool is the only size that uses all four types of rails. Diagram 1 shows the locations for each type.

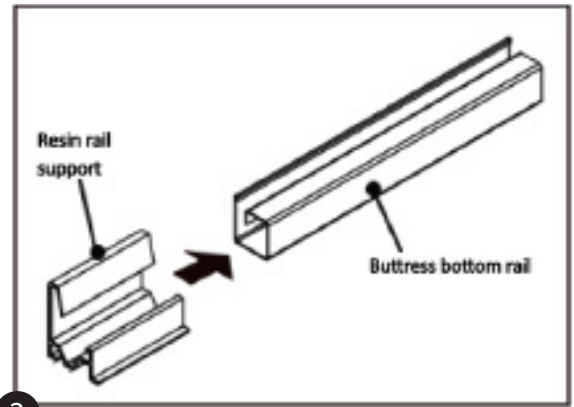




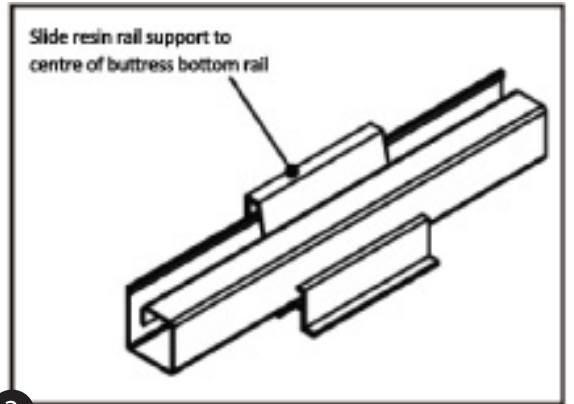
Hint:

When measuring the distance to the face of each base plate, use a piece of string longer than required and place a mark on the string at the required distance.

b. The pool has been supplied with resin rail supports. If you have a 12 x 18 (3,66m x 5,49m) pool proceed to step (d). For all other pools slide the resin rail support to the middle of the buttress bottom rail as shown in diagrams (2) and (3). Repeat this step for all other buttress bottom rails.



2



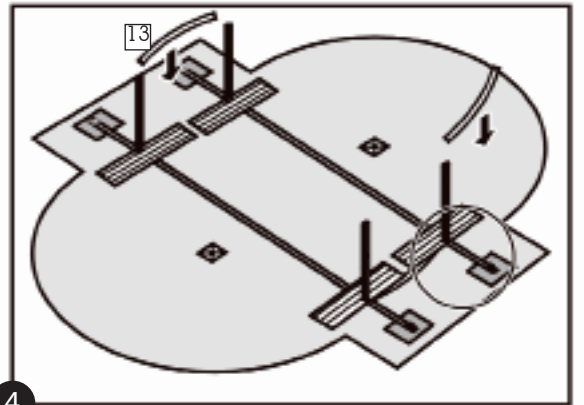
3



Hint:

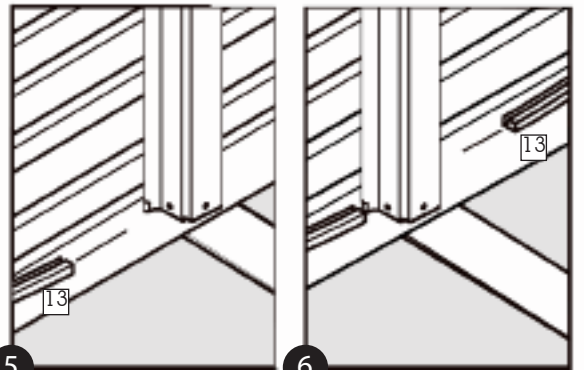
Cut several small pieces of wood approximately (10 x 10 cm) square and place one between the two bottom rails located at each base plate. This will keep the bottom rails from closing while the wall is installed. Be sure to remove the blocks of wood later, before installing the verticals in Section 4.

c. Insert the buttress rails between the buttresses (if you have a 12 x 18 (3,66m x 5,49m) pool, skip step (c) and go to step (d)). The bottom rails insert into the notch in the upright. Make sure the groove faces up.



4

d. Insert the transition A rails (key 13). Slide one end of each rail into the notch in the upright (see diagrams 5 and 6) and slide the other end together with a base plate (key 14) (see diagrams 9, 10 and 11).



5

6



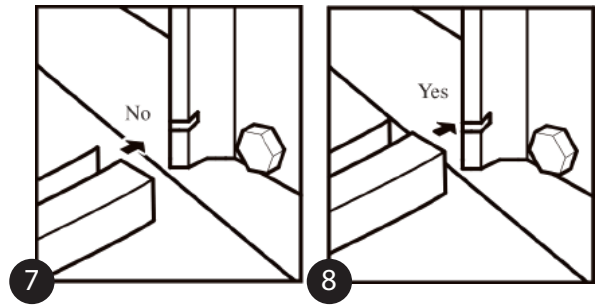


Note:

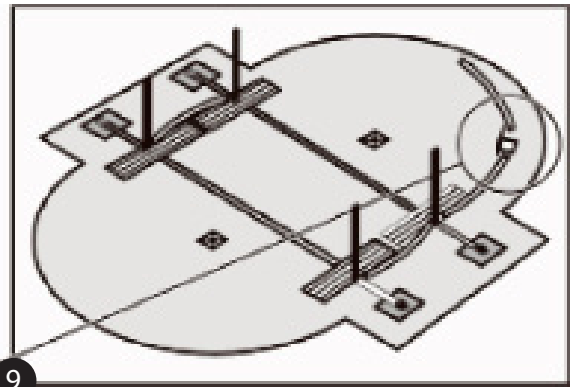
If you want, the patio stones around the round ends of the pool may be round instead of square, or they can be left out completely. The patio stones in the trenches under the buttresses along the straight sides must be used, even if you don't have them on the round ends.

If you want, instead of using patio stones you can make use stabilizer. Dig a 12" x 12" (30 x 30 cm) square hole 2" (5 cm) deep and fill the hole with stabilizer.

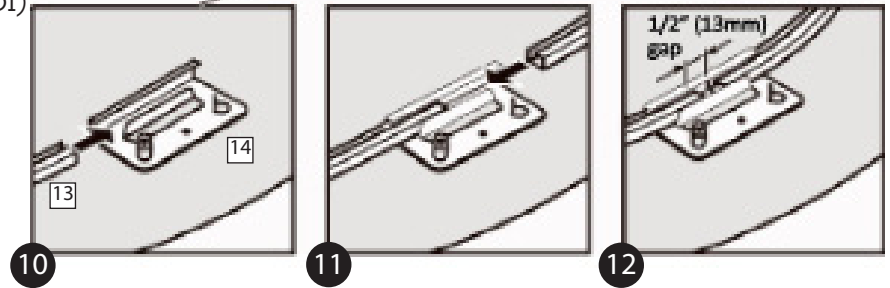
Important: make sure you slide the rail into the notch so the closed, square part of the rail is in the notch, **not** the open groove part of the rail (see diagrams 7 and 8).



- e. Slide the other end of the **transition A rail** together with a base plate (key 14).
- f. If you have an 18 x 33 (5,49m x 10,05m) pool, insert the **transition B rails** (if you have any other size pool, skip to step (g)). Leave a 1/2" (13mm) gap between the ends of the rails (see diagram 1 on page 2-1 for the 18 x 33 (5,49m x 10,05m) pool)



- g. Lay out the end rails and base plates on both rounds ends of the pool area.

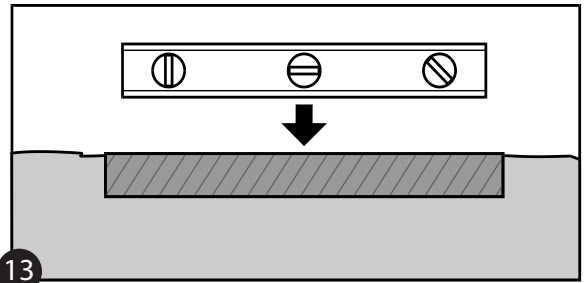


Using a piece of string attached to the centre of stake (A), measure the distance to the face of each base plate and make sure it is the same as dimension R (see pages 1-3 through 1-5). (Note: this step will not work on the buttress rails or transition rails.)

- h. Insert the end rails. Leave a 1/2" (13 mm) gap between the ends of the rails.
- i. Optional concrete patio stones may also be used under each base plate on the round ends of your pool. Patio stones 12" (30 cm) square or larger will do. They **must** be sunk into the ground so the tops are flush with the soil around them. Use the carpenter's level to make sure the patio stones are perfectly level and flush with the ground. Use the carpenter's level and a 2-by-4 between patio stones to make sure the stones are level with each other.



- j. Use a carpenter's level as you install each curved bottom rail to make sure it is level.
- k. Remove all the wooden stakes from the ground.

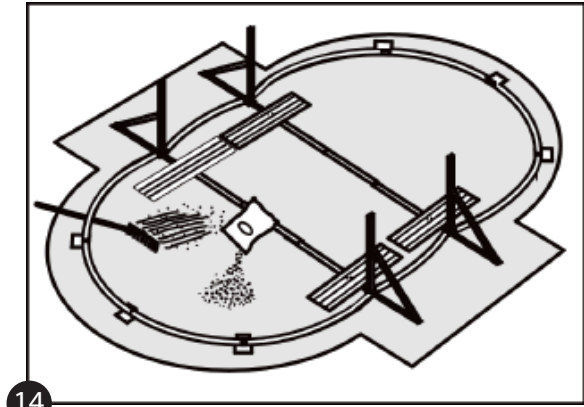


Remember:

Spread brick sand/stabilizer over the entire pool foundation area inside the base rails. This provides a protective surface for the pool liner to rest on.

2. Spread out Brick Sand/Stabilizer

- a. Make sure any screw or bolt heads that are to be covered with sand or styrofoam are covered with duct tape first.
- b. Make sure all of the trenches are completely filled with crushed limestone (or equivalent).
- c. Spread a layer of fine brick sand (no pebbles)/stabilizer over the foundation area, 2" (5 cm) deep.



Use a rake to make the brick sand/stabilizer flat and smooth.



SECTION

3

Pool Component Installation Manual

Assembling the Pool Wall & Liner



Hint:

Bring the following items onto the pool foundation before you start uncoiling the pool wall: the pool liner, some extra brick sand to make the cove in Step 5, and a ladder to climb out after the wall is assembled.



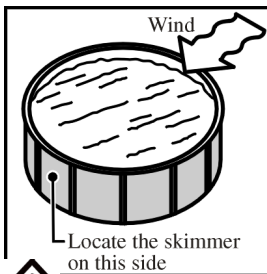
Caution:

Do not attempt to install the pool wall in the wind. Wait for a calm day.



Remember:

For best results, mount the skimmer on the downwind side of the pool (that is, directly across from the most common wind direction).



Hint:

Secure the omega stabilizer to the wall with a piece of duct tape after installation to prevent it from lifting off the wall.

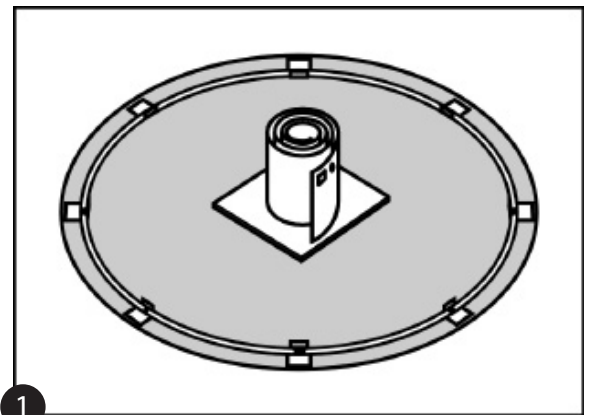
A. Assemble your Pool Wall

This section is for Round and Oval pools (ROUND POOLS ARE SHOWN).

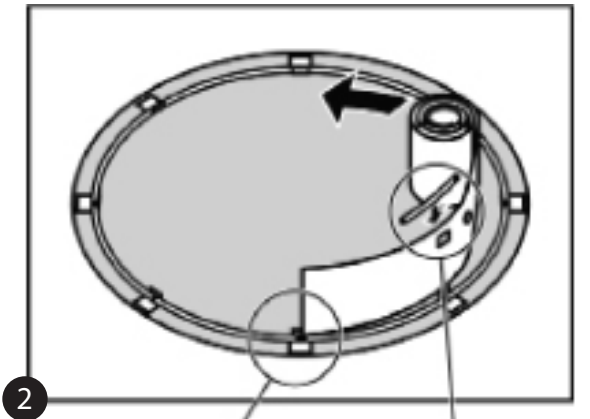
1. Set the Pool Wall in place

a. Wait for a calm day. **Do not** attempt to install the pool wall in the wind.

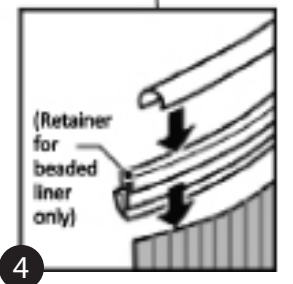
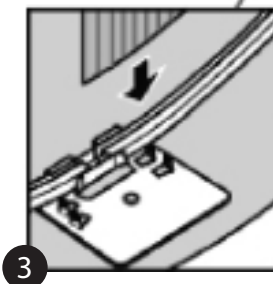
b. Unpackage the coiled pool wall and stand it on a piece of cardboard or plywood at the centre of the pool. The cut-outs for the through-the-wall skimmer should be towards the top of the wall. Look for a "THIS WAY UP" label and arrow.



c. Start uncoiling the wall, guiding the bottom edge into the curved bottom rail. The starting end of the wall **must** be positioned **over a base plate**, - and the skimmer and return holes should be positioned where the pump and filter will be.



d. It is **important** that the pool wall be evenly distributed **at both ends** of the pool to ensure that all the top ledges fit. As the wall is uncoiled and placed into the bottom rails it is important to maintain approximately 1/2" (13 mm) gap between the bottom rails or the top ledges may not fit.



- e. Work around the foundation until the entire pool wall is uncoiled into the bottom rails and the top edge is covered with the omega stabilizer and connectors (and beaded liner retainers if you have a beaded pool liner)
- f. The omega stabilizers are colour coded or stamped with a part number. Use the chart below to choose the types and quantities of the omega stabilizers for your pool (part nos. are shown in brackets under each colour). Set lengths of omega stabilizers onto the top edge of the wall as you uncoil it and join the omega stabilizers with connectors as you go, leaving a 1/2" (13 mm) gap between each. (If you have a **beaded pool liner**, set lengths of **liner retainer** on the top edge of the wall first, then the omega stabilizers and connectors.)
- g. After the wall is installed, go around the entire pool and make sure all the gaps between the bottom rails are **equal** in size (the gaps may each finish slightly smaller or larger than 1/2" (13 mm), depending on your pool size). Recheck all of the base plates to make sure each one is centred between the base rails.
- h. After the pool wall has been installed, reconfirm distances to the base plates. **Make sure** the round ends of the pool have been properly located or the pool wall will not be symmetrical.



Hint:

Using a 2" (5 cm) piece of duct tape, tape the ends of the 6" (15 cm) metal omega stabilizer connector over the omega stabilizers and onto the pool wall. This will prevent the omega stabilizer from moving during liner installation.

Pool Size	Quantity and Colour Code (with part nos.)			
	Buttress Tube	Transition Tube A	Transition Tube B	End Tube
12' x 18' (3,66m x 5,49m)	n/a	4 yellow (no. 1470098) (no. 1470012)	n/a	8 plain (no. 1470096) (no. 1470010)
12' x 24' (3,66m x 7,32m)	4 white (no. 1470105) (no. 1470092)	4 blue (no. 1470104) (no. 1470091)	n/a	8 plain (no. 1470096) (no. 1470010)
15' x 24' (4,57m x 7,32m)	2 white (no. 1470105) (no. 1470092)	4 green (no. 1470100) (no. 1470014)	n/a	8 plain (no. 1470097) (no. 1470011)
15' x 30' (4,57m x 9,14m)	4 green (no. 1470100) (no. 1470014)	4 green (no. 1470100) (no. 1470014)	n/a	8 plain (no. 1470097) (no. 1470011)
18' x 33' (5,49m x 10,05m)	4 green (no. 1470100) (no. 1470014)	4 green (no. 1470100) (no. 1470014)	4 green (no. 1470100) (no. 1470014)	6 plain (no. 1470098) (no. 1470012)

(n/a = not applicable; plain = no colour code)



Hint:

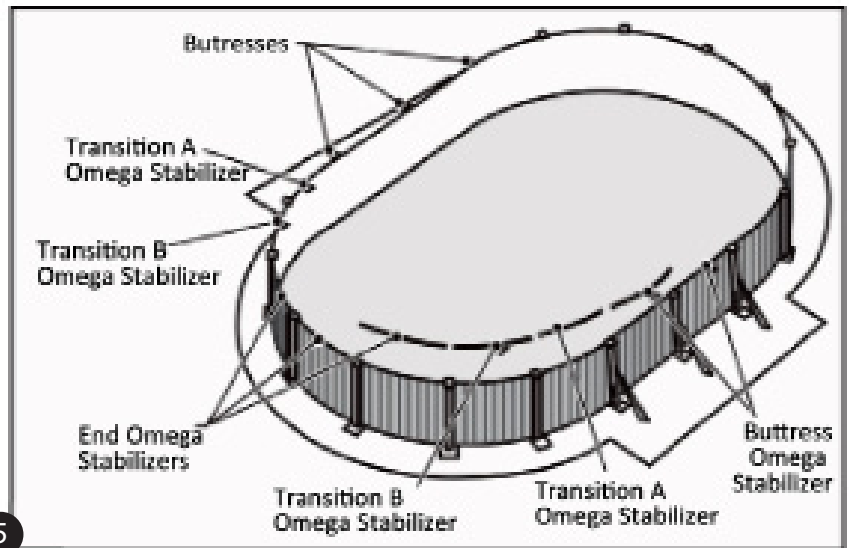
Use duct tape at the top of each buttress to temporarily hold the pool wall from falling in before it is properly fastened in place.



Hint:

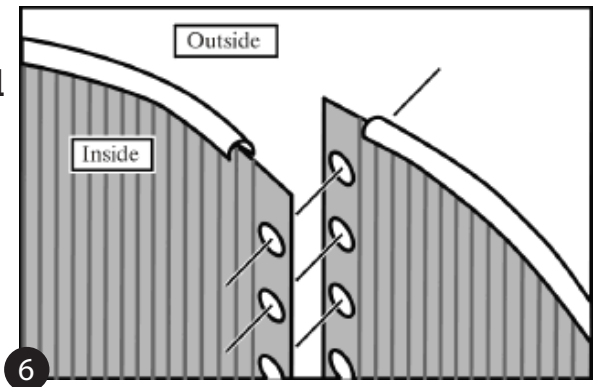
Secure the omega stabilizer connector to the wall with a piece of duct tape after installation to prevent it from lifting off the wall.

The 18 x 33(5,49m x 10,05m) pool is the only size that uses all four types of omega stabilizers. Diagram shows the locations for each type.

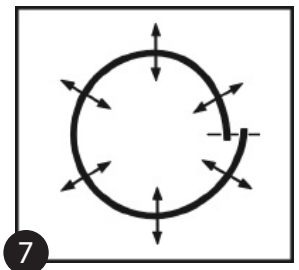


2. Join the Ends of the Pool Wall

a. Line up the holes in the two ends of the pool wall.

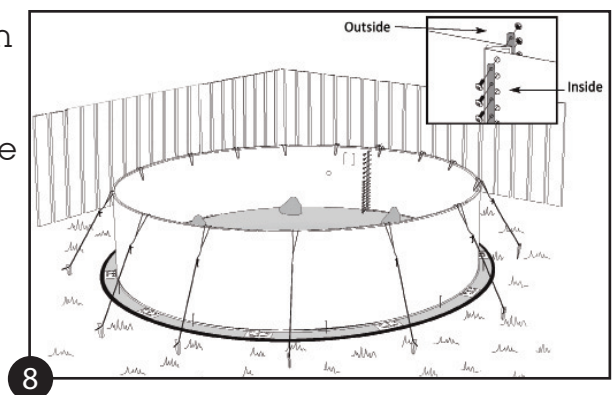


b. To line up the holes, make the circle bigger or smaller by nudging the base plates in or out with your foot.



c. To fasten the wall joint, overlap the two steel bars, one on the inside and the other on the outside. Tighten the mechanical screws on the inside and the nuts on the outside. Make sure there is a bolt in each hole.

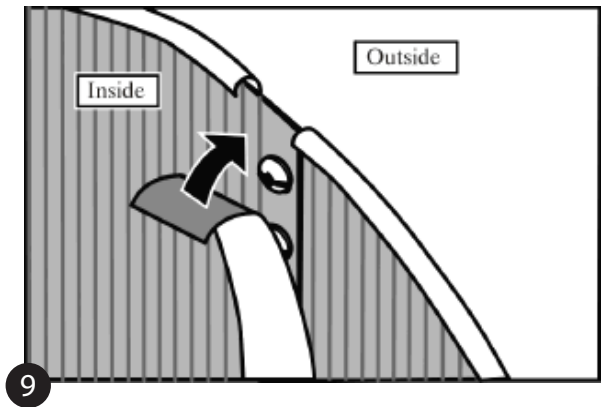
d. Ensure that all bolts and all the holes are used.



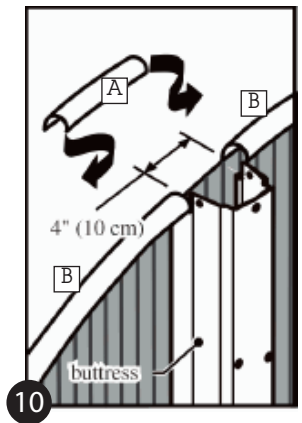


Hint:
Stick a screwdriver through two of the holes to help line up the ends of the wall.

- e. Cover the seam and bolt heads on the inside of the pool wall completely with 2 layers of 2" (50 mm) duct tape.



- f. At the top of each **buttness**, make sure the distance between the ends of the omega stabilizer on the top edge of the wall is 4" (10 cm). Insert the plastic tube (key A) into the **inside** of the omega stabilizers (key B) to fill the 4" (10 cm) space. The plastic tubes are inserted **only** in the spaces along the straight sides of the pool where the buttnesses are located, **not** around the round ends of the pool. Make sure the plastic tubes are correctly installed or else when you install the top plates later they will not fit properly.



- g. Where there are no buttnesses installed, the space between the ends of the omega stabilizers at the tops of the uprights should be about 1/2" (13 mm).



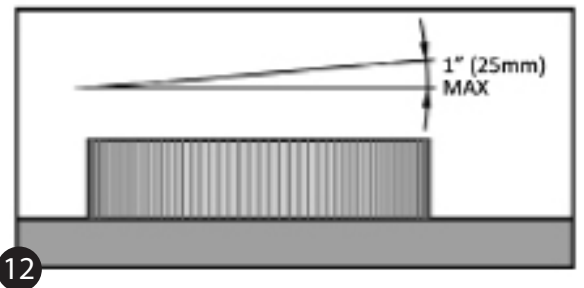
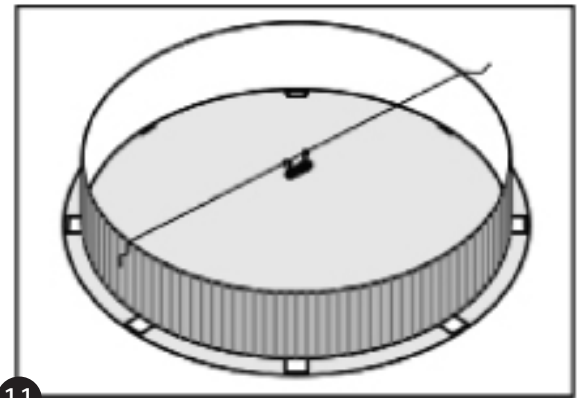
Remember:
The bolt heads must be toward the inside of the pool. Cover the bolt heads with duct tape.

3. Make sure the Pool Wall is Level

- a. Use a length of string and a line-level to check across the top edge of the pool wall to see if it is level. Check the wall in several different directions. The wall **must** be level. If the level is off by more than 1" (25 mm) across the diameter of the pool, take the wall apart and level the foundation again.



Caution:
The pool must be level within 1" (25 mm) across the diameter. A pool that is not level is dangerous and may collapse.



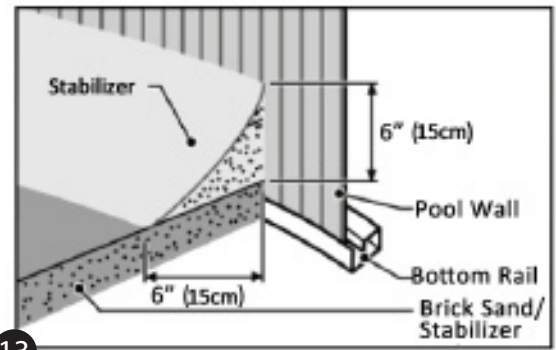


Remember:

The cove is an important part of the pool structure. Take your time to make a complete, full-size cove.

4. Make a Cove

- a. You are ready to prepare the cove. The cove is a small slope around the inner wall circumference of the pool which will prevent the liner from slipping under the wall. You can use stabilizer, or preferably, polypropylene pieces designed for this purpose
- b. If you are using stabilizer, pack it around the wall to form a cove of about 15cm high and 15cm wide at ground level. Wet the sand to pack it and use a trowel to spread it evenly.
- c. Wet the sand on the floor of the pool to smooth it. Pack it using a manual compactor.
- d. If you are using polypropylene pieces, insert them in the lower wall channels of the pool.

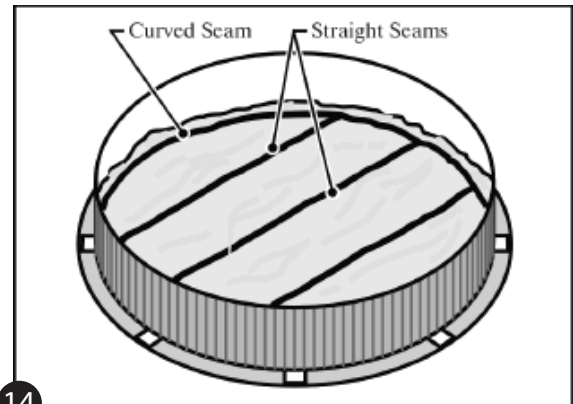


13

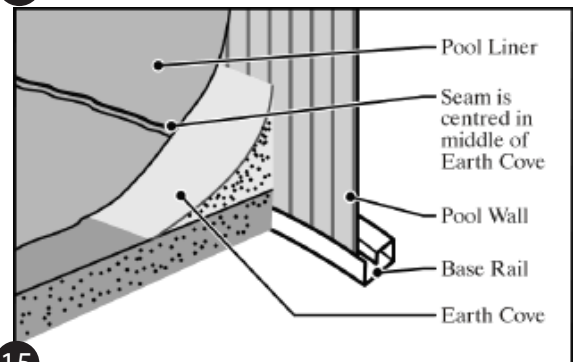
B. Install your Pool Liner

1. Set the liner in place

- a. Open the carton. **Do not** use anything sharp to open the carton.
- b. Unpack and unfold the liner and spread it out in the sun to warm it up. Inspect all the seams and surfaces for holes.
- c. Spread out the liner, smooth side down. The curved seam should be centred on the cove at the base of the wall. The other seams will form straight lines across the bottom of the pool.
- d. Smooth out all the wrinkles in the bottom.



14



15



Hint: -

If possible, unfold the liner on the grass one to two hours before installation. Be careful not to leave the liner too long or you may damage the grass.

**Hint:**

To smooth out the wrinkles in step 2(c), use a vacuum cleaner: block the skimmer outlet with cardboard and tape and put the vacuum hose through the skimmer return hole, between the liner and pool wall. Seal the hole with tape and keep the hose 4" to 6" (10 to 15 cm) above the sand cove so you don't suck up any sand. Start the vacuum and run it until most of the wrinkles are gone. Then, stop the vacuum and add 1" (2.5 cm) of water to the pool. Finally, remove the vacuum hose and unplug the skimmer hole.

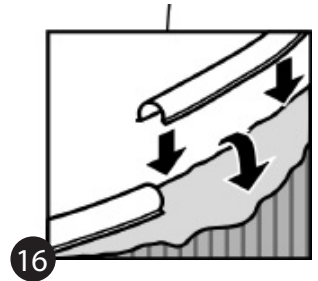
**Remember:**

Do not trim off the excess liner. (If the liner ever needs to be removed, trimming the liner will make re-installation very difficult.) Instead, roll up any excess liner and tape it in place near the top of the pool wall.

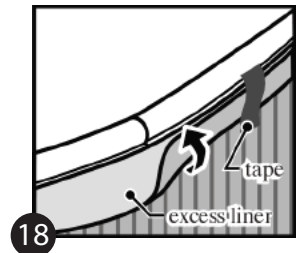
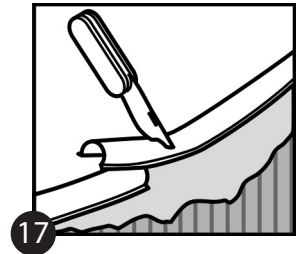
2. Fasten the Liner in place (Overlap Liner only)

This step applies only if you have an **Overlap Liner**. See the next page if you have a **Beaded Liner** or **V-Bead Liner**.

- Lift the sides of the liner and drape them over the top of the pool wall. If you have a 52" (132 cm) high pool, pull the liner up until there is 2" (5 cm) overhang; if you have a 48" (122 cm) high pool, pull the liner up until there is 6" (15 cm) overhang.
- Fasten the liner to the top of the wall with plastic coping. Let the liner hang slack for now. **Do not** pull the liner tight.
- Start filling the pool with water. As the pool fills, work out all the wrinkles and smooth the liner to the wall. Remove the plastic coping around the top edge of the wall **one piece at a time** and adjust the liner. Keep smoothing out the wrinkles.

**3. Trim the Plastic Coping and Roll Up the Excess Liner**

- After all the wrinkles in the liner are removed, trim any extra length of plastic coping so there is no overlap.
- Roll up any excess liner hanging below the plastic coping and tape it in place near the top of the pool wall. **Important: Do not** trim off the excess liner.

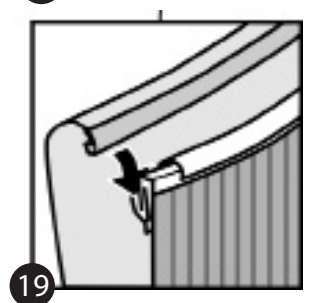
**4. Fasten the Liner in place (Beaded Liner only)**

This step applies only if you have a **Beaded Liner**.

See the previous page if you have an

Overlap Liner or below if you have a **V-Bead Liner**.

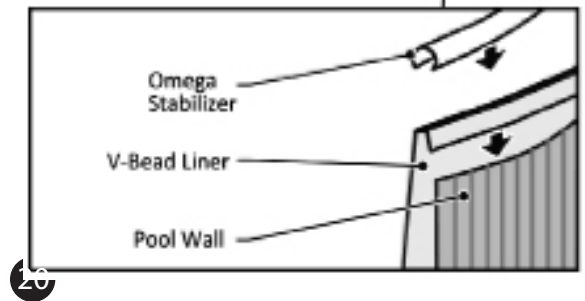
- When installing the beaded liner retainer the ends must be at least 12" away from any buttress or it will be difficult to attach the top plates later. The beaded liner retainer may need to be cut to complete the installation. **Important:** make sure the segments of the liner retainer are put on the top edge of the wall.
- Lift the sides of the liner and insert the beaded edge into the liner retainer on the top edge of the pool wall.
- Start filling the pool with water. As the pool fills, work out all the wrinkles and smooth the liner to the wall.



5. Fasten the Liner in place (V-Bead Liner only)

This step applies only if you have a **V-Bead Liner**. See steps 2 and 3 if you have an **Overlap Liner**, or step 4 if you have a **Beaded Liner**.

- a. Remove the omega stabilizers and connectors from the top edge of the pool wall. **Important: do not** remove all of the omega stabilizers at once; remove only **two** lengths of the omega stabilizer at a time.
- b. Hook the V-bead over the edge of the pool wall.
- c. The space between the ends of the omega stabilizers at the tops of the locations where the uprights will be attached should be about 1/2" (13mm).
- d. Replace the two lengths of the omega stabilizer and connectors.
- e. Repeat steps (a) to (d) until you have gone around the entire pool and finished attaching the pool liner in place.
- f. Start filling the pool with water. As the pool fills, work out all the wrinkles and smooth the liner to the wall.



6. Proceed to Section 4

- a. Continue with Section 4 to finish assembling your pool.

Installing the Top Ledges & Uprights

A. Attach your Uprights and Top Ledges

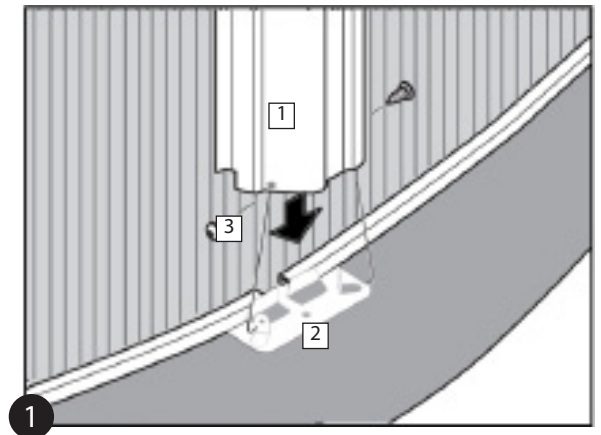
1. Continue filling your Pool

- Continue filling your pool with water. Do not put in more than 12" (30 cm) of water until the top ledges and uprights are all attached.
- Keep working on the top ledges and uprights while the pool fills.

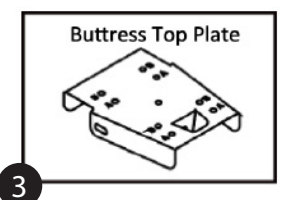
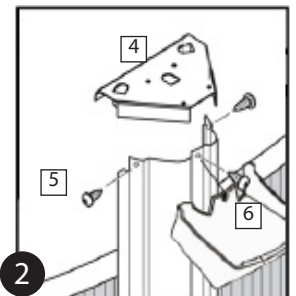
- See the drawing on the next page for an overview of all the parts used to install the uprights, top ledges and ledge covers.

2. Install the Uprights

- Line up the bottom of one upright (key 1) with the two small tabs on one base plate (key 2). The tabs must be on the inside of the upright.
- Line up the screw holes and fasten with one self-tapping screws on each side (key 3).



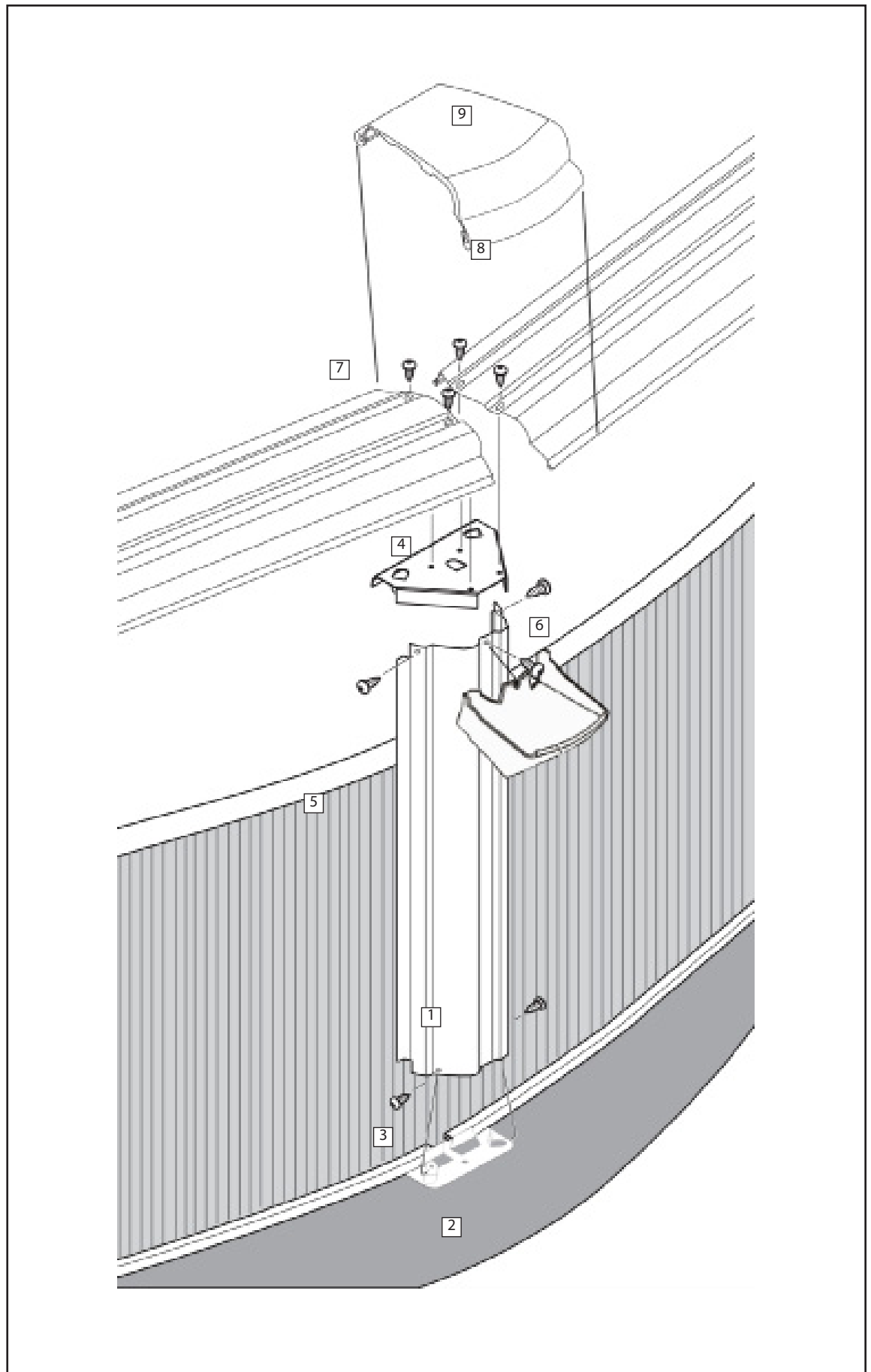
- Hook a top plate (key 4) over the top edge of the pool wall (key 5). Place the top plate down over the top of the upright with the tabs on the inside of the upright. Make sure the upright is straight up and down.
- Two different top plates have been supplied with the pool. The top plate shown in illustration 3 must be installed over each buttress. The other top plate should be installed as describe in illustration 2.
- Line up the screw holes and fasten with one self-tapping screws on each side and one on the front (key 6).



Hint:

Use the ridges in the pool wall to make sure the upright is straight up and down.

Overview of the Upright, Top Ledge and Ledge Cover Assembly

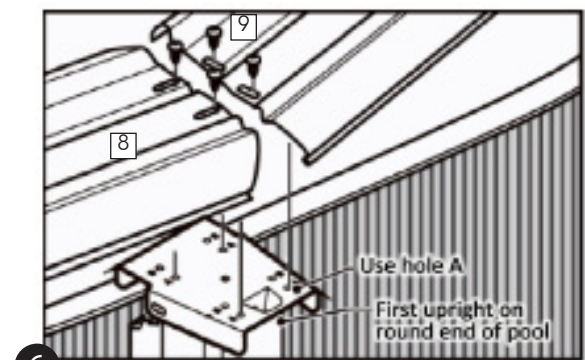
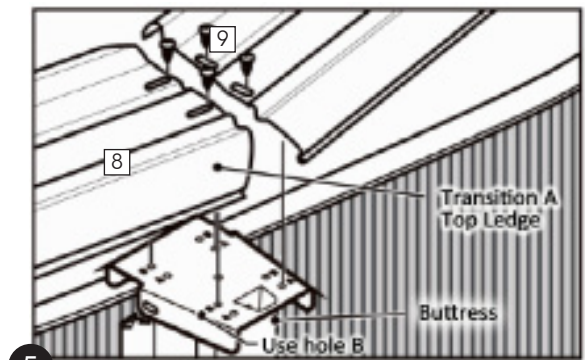
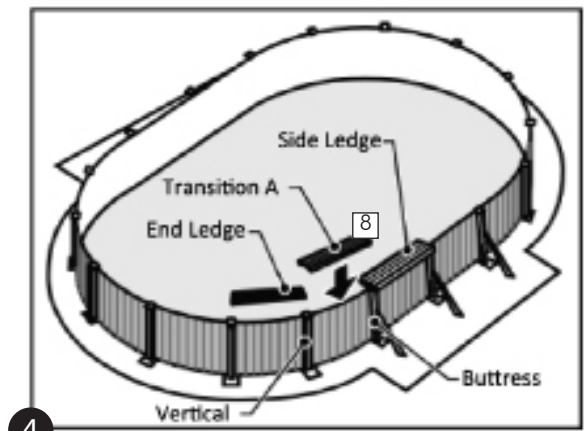


3. Install the Top Ledges

a. Install all the side ledges between the buttresses. Use hole 'A' and line up all of the holes as shown in diagram 6. Fasten through the two oval holes to the top plate below with two self-tapping screws (key 9). Do not tighten any of the screws yet. Leave the screws slightly loose until all the top ledges are in place. Make sure the uprights are aligned straight up and down (Note: the 12' x 18' (3,66m x 5,49m) pool does not have side ledges).

b. **Important:** the four transition A top ledges are marked with a coloured dot and the ends are mitred. Only the end of the transition A top ledge that is over a but-tress will fasten into the hole marked 'B' in the top plate, as shown in diagram 5. For the rest of the end ledges, use hole 'A' and line up all of the holes as shown in diagram 6. Fasten through the two oval holes with two self-tapping screws (key 9).

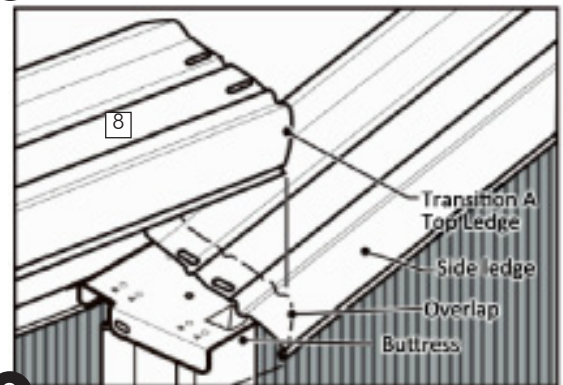
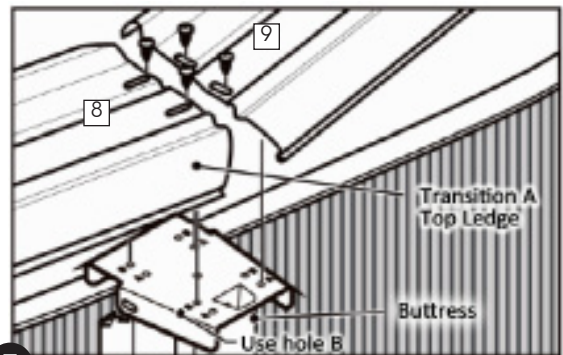
Do not tighten any of the screws yet. Leave the screws slightly loose until all the top ledges are in place.



- c. **Important:** if any of the uprights are not straight up and down, adjust the base plate and bottom end of the upright side to side as required by gently tapping on the base plate with a hammer and a block of wood. If you need to adjust the top of the upright, you may need to remove the top plate first or else the wall and the liner could be damaged.
- d. Check the length of the second transition A top ledge before you fasten it. If the end of the transition ledge overlaps the side ledge, it needs to be cut; if the oval holes of the transition ledge do not match the holes in the top plate, you must drill new holes. (Note: the 12' x 18' (3,66m x 5,49m) pool does not have side ledges; any overlap will be over the adjacent transition ledge.) In the case that the transition ledge seems to be too short, you must pull the ledges you just installed so the end of the transition ledge can be attached to the top plate. The oval holes provide approximately 2" (51 mm) adjustment at each end of the pool.
- e. Repeat steps (d) and (e) for the other side of the pool.

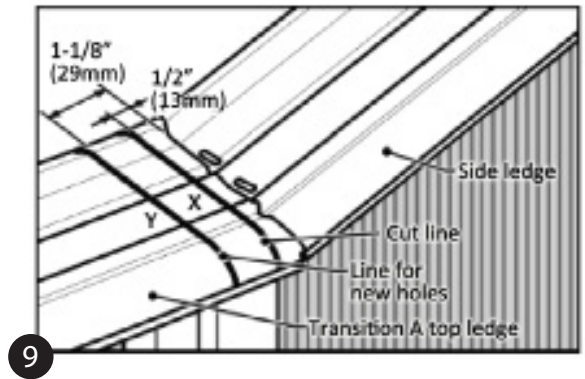
4. If the transition ledge needs to be drilled and/or cut follow these steps:

- a. Temporarily unscrew the end of the side ledge that is next to the transition ledge. (Note: the 12' x 18' (3,66m x 5,49m) pool does not have side ledges.)
- b. Place one end of the transition ledge (key 8) underneath the side ledge. (Note: for the 12' x 18' (3,66m x 5,49m) pool place one end above the other transition ledge.) Place the other end over the first upright on the round end of the pool and temporarily fasten this end midway of the adjustment provided by the oval holes. If you have a 12' x 18 (3,66m x 5,49m)' pool, jump to step (J) now.

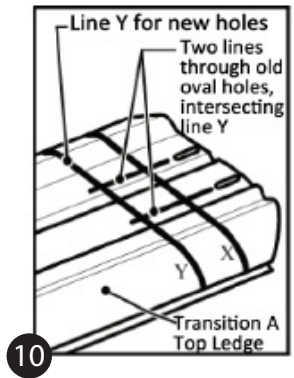


- c. With the end of the side ledge on top of the transition ledge, mark two dimensions 1/2" (13 mm) and 1-1/8" (29 mm) away from the end of the side ledge. Then temporarily unscrew the other end of the side ledge and move it to draw the lines X and Y.

The first line X is parallel to the end of the side ledge, 1/2" (13 mm) away. This will be the line you will cut along to shorten the transition ledge. The second line Y is also parallel to the end of the side ledge, 1-1/8" (29 mm) away. This will be the line that the new 1/4" (6 mm) screw holes lie on.



d. To mark the locations of the 1/4" (6 mm) screw holes, draw two lines through the centres of each of the two oval holes, parallel to the length of the top ledge, to intersect the line Y. The intersection of these lines will determine the locations of the new 1/4" (6 mm) screw holes that need to be drilled.

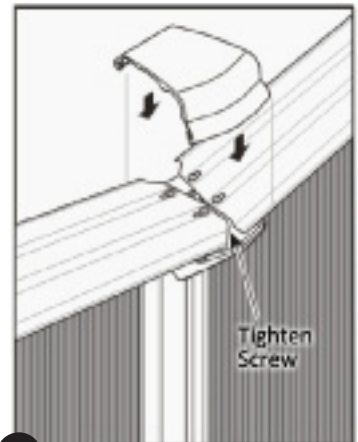
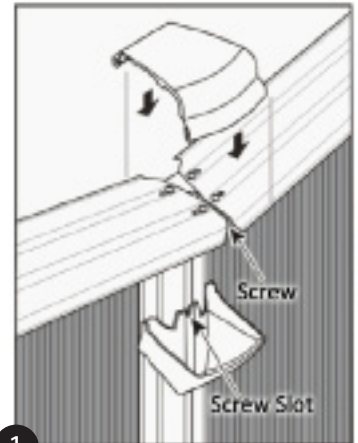


- e. If your pool calls for a support plate, drill another 1/4" (6 mm) hole 1-1/2" (38 mm) or 2-1/8" (54 mm) toward the inside of the pool along the line Y. Measure that distance on your pool.
- f. Remove the transition ledge and drill the 1/4" (6 mm) holes using the marks that lie on the line Y.
- g. Cut the transition ledge along the 1/2" (13 mm) line X using a hacksaw (use a blade with at least 32 teeth per inch).
- h. Fasten the side ledge and the transition ledge in place.
- i. Repeat steps (a) to (h) to install the top ledges at the other end of the pool.

5. Install the Ledge Covers

IMPORTANT: For oval pools, two variations of the ledge cover have been supplied with the pool. Both install in the same manner, look at the shape of the ledge cover and if it fits the upright install it on the round ends of the pool. If it does not fit the upright install it on the buttress.

- a. Loosen the front screw used to secure the top plate to the upright.
- b. Place a bottom ledge cover against a upright as shown in diagram 1.
- c. Slide the bottom ledge cover upwards until the slot on the ledge cover rests under the screw.
- d. Tighten the screw and repeat for the other uprights.
- e. Line up a top ledge cover above the ends of two top ledges.
- f. Hook the top ledge cover under the inside edges of the top ledges.
- g. Bring the top ledge cover down into place and pull out the front tabs to hook it under the outside edges of the top ledges.
- h. Coat all showing screw heads with clear outdoor varnish.



Important:

The pool wall may bulge and shift a little while filling with water. This is normal.

IMPORTANT: When installing the top ledge cover, ensure the front lip of the ledge cover is over the top lip of the bottom ledge cover.

C. Maintaining your Pool

After you have finished installing your pool, follow these instructions to keep it clean and in good shape.

1. The Liner

- a. Check the liner regularly for leaks.
- b. Minor repairs can be made to the liner with a repair kit.



Caution:

Chlorine can damage your pool liner and metal parts. Wash any spills right away.

2. Pool Wall and Uprights

- a. Keep the pool wall and uprights clean. Wash down every so often with mild soap. Do not use abrasives, chemicals or cleansers.
- b. Wash off any spilled pool chemicals right away.
- c. Recoat all showing screw heads with clear outdoor varnish.
- d. Check all metal parts for rust regularly, at least once per season.
- e. Touch up scratches and rusty area on metal parts with matching anti-rust paint. Follow the directions on the paint can.
- f. Every two years, lower the water level in your pool to 12" (30 cm) deep. Remove the top edge of the liner from the pool wall and look for hidden rust on the inside of the pool wall. See Section 4 for instructions on removing the liner.
- g. Pay special attention to any leaks at the skimmer and return openings. Leaks must be fixed immediately.



Remember:

Any rusty areas on the pool wall must be repainted quickly with anti-rust paint. A badly rusted pool wall can collapse.

D. Winterizing your Pool

At the end of the swimming season, you must follow these directions to make your pool ready for the winter.



Caution:

Do not drain all the water from your pool for the winter, and do not remove the liner. An empty pool can collapse in the winter.

1. Lower the Water Level

- a. Lower the water level in your pool until it is about 6" (15 cm) below the water return fitting.
- b. Remove all hoses attached to the skimmer and return fittings. Make sure all water is drained from the skimmer housing, and make sure the hole at the bottom of the skimmer is left UN-PLUGGED.

2. Check all Joints and Screws

- a. Make sure all the frame joints are fitting together properly and make sure the pool wall has not shifted from the bottom rail.
- b. Make sure all screws and bolts are tight.

3. Check for Rust

Paint any scratches or rusty areas with anti-rust paint.

4. Check the Liner

Make sure the top of the liner is still attached to the pool wall with plastic coping. Do not remove the liner from the pool. Removal of the liner will void the existing warranty. Do not drain all the water from the pool for the winter.

5. Finding Leaks

Make sure the liner has no leaks. Check the liner for leaks and repair any holes with a vinyl patch. Leaks in the winter can cause severe damage to your pool.

6. Pool Accessories

Remove all pool accessories from the pool, including the ladder. Leave the skimmer attached to the pool wall. Ensure that the skimmer lid is installed and the opening at the bottom of the skimmer is open so that accumulated water can drain immediately.



Remember:

Failure to install the "Pool Winterizing Kit" and follow the winterizing procedures, in accordance with these instructions, may void the pool warranty.

Important Winterizing Notice

All Pools:

The water level must be maintained at least 3" (76 mm) below the skimmer opening throughout the winter. Surplus water must be removed by pumping, draining or siphoning so that it doesn't enter the skimmer during the winter. Remove all hoses attached to the skimmer and return fittings. The opening at the bottom of the skimmer **MUST** be kept open so that accumulated water can drain immediately.

Pools with 12" (30 cm) skimmers:

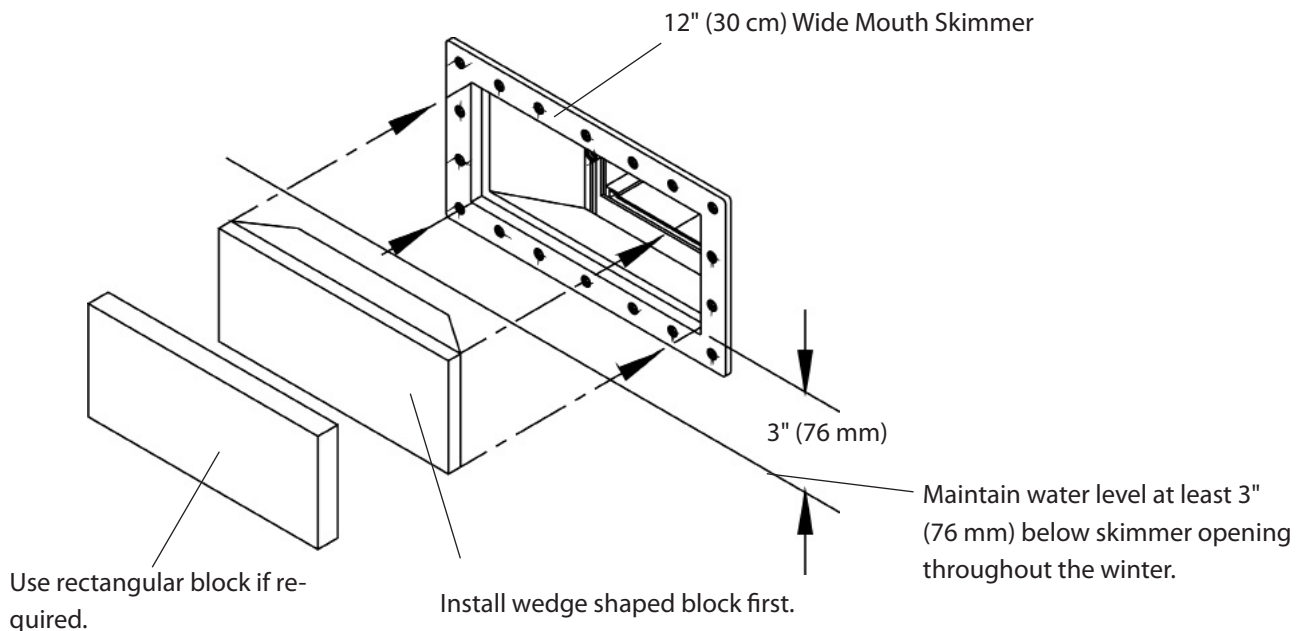
In addition to the above, the Pool Winterizing Kit (Part Number 1370138) must be inserted into the 12" (30 cm) skimmer (see illustration below).

Failure to install the "Pool Winterizing Kit" and follow the winterizing procedures, in accordance with these instructions, may void the pool warranty.

The Pool Winterizing Kit (Part Number 1370138) is also available from your pool dealer.

All Pools:

Do not attach the pool cover to the top rails, verticals, connectors or any part of the skimmer.



Installation:

"PAWS" Skimmer:

1. Force the wedge shaped block into the skimmer opening until it sits flush with the face flange.

Other Skimmers:

1. Place the wedge shaped block into the skimmer throat.
2. Force the rectangular shaped block into the skimmer opening until it sits flush with the face flange.

Note:

On some skimmers, it may be necessary to trim the foam to make a friction fit and/or use a wooden wedge to keep it in place during the winter.

CHANNEL LOK II OVAL INSTALLATION SYSTEM

Additional Installation Information

Channel Lok II Oval Pools
Part No. 1920752 rev. 0

Important – Read Me First

For 12' x 21' Channel Lok II Oval Pools

This bulletin contains information for the Channel Lok II 12' x 21' oval pool. The additional steps below contain sizes and quantities as they apply to this pool size. Refer to the main Channel Lok II assembly manual as indicated with each step and add or replace information as instructed.

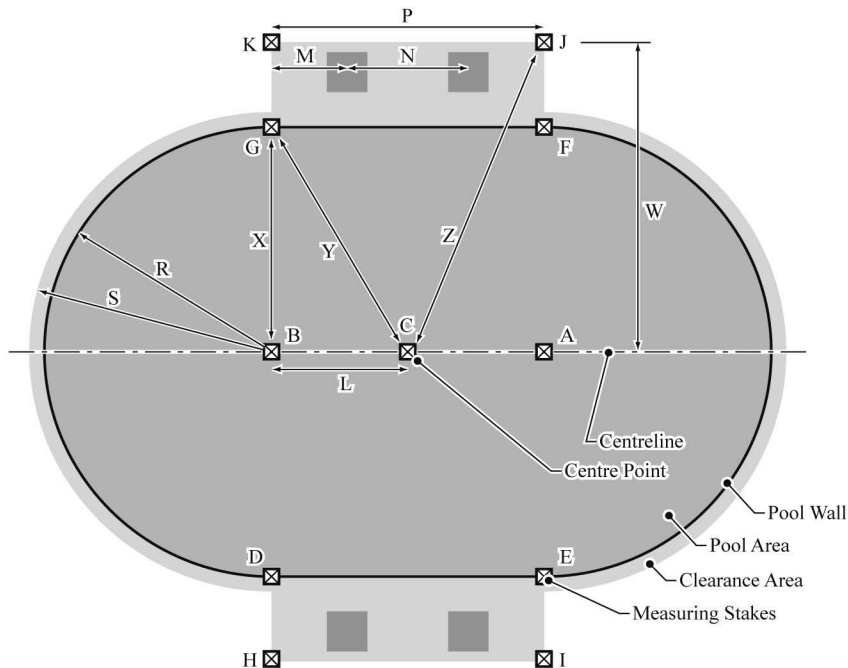
SECTION 1 General Instructions

When you come to Part C, add the following to Step 1:

1. Choose the Correct Ground Preparation Drawing

12' x 21' Oval Pool Dimensions

R	72" (183 cm)
S	84" (214 cm)
L	54" (137 cm)
M	24-1/4" (62 cm)
N	59-1/2" (151 cm)
P	108" (274 cm)
W	116" (295 cm)
X	72" (183 cm)
Y	90" (229 cm)
Z	128" (325 cm)



In Part C, add the following to the three tables in Steps 2(a), (b) and (g):

2. Mark out the Area

Pool Size	Distance between two pegs (A) and (B)
12' x 21'	108" (274 cm)

Pool Size	Length of String
12' x 21'	84" (214 cm)

Pool Size	Distance from Centreline for Side Area W
12' x 21'	116" (295 cm)

In Part C, add the following to the table in Step 4(a):

4. Make the Area Flat and Level

Pool Size	Length of 2-by-4
12' x 21'	84" (214 cm)

In Part C, add the following to the table in Step 5(c):

5. Add Corner Stakes

Pool Size	Distance X	Distance Y	Distance W	Distance Z
12' x 21'	72" (183 cm)	90" (229 cm)	116" (295 cm)	128" (325 cm)

In Part C, add the following to the table in Step 6(b) and to the text in 6(c):

6. Prepare Patio Stones

Pool Size	Distance from Stake to Patio Stone Centreline M	Distance between Patio Stones N
12' x 21'	24-1/4" (62 cm)	59-1/2" (151 cm)

c. (**Important Note:** The 12' x 21' pool has **two** Patio Stones per side.)

SECTION 2

Assembling the Pool Base & Side Buttresses

When you come to Step 1(a) add the following to the table:

1. Install the Curved Bottom Rails

Pool Size	Quantity and Colour Code (with part numbers.)			
	Buttress Rail	Transition Rail A	Transition Rail B	End Rail
12' x 21'	2 green (no. 1460033)	4 blue (no. 1460138)	n/a	8 plain (no. 1460048)

(n/a = not applicable; plain = no colour code)

SECTION 3

Assembling the Pool Wall & Liner

When you come to Part A, Step 1(d) add the following to the table:

1. Set the Pool Wall in place

d. (Installing the slotted tubes)

Pool Size	Quantity and Colour Code (with part nos.)			
	Buttress Tube	Transition Tube A	Transition Tube B	End Tube
12' x 21'	2 green (no. 1470100)	4 blue (no. 1470104)	n/a	8 plain (no. 1470096)

(n/a = not applicable; plain = no colour code)