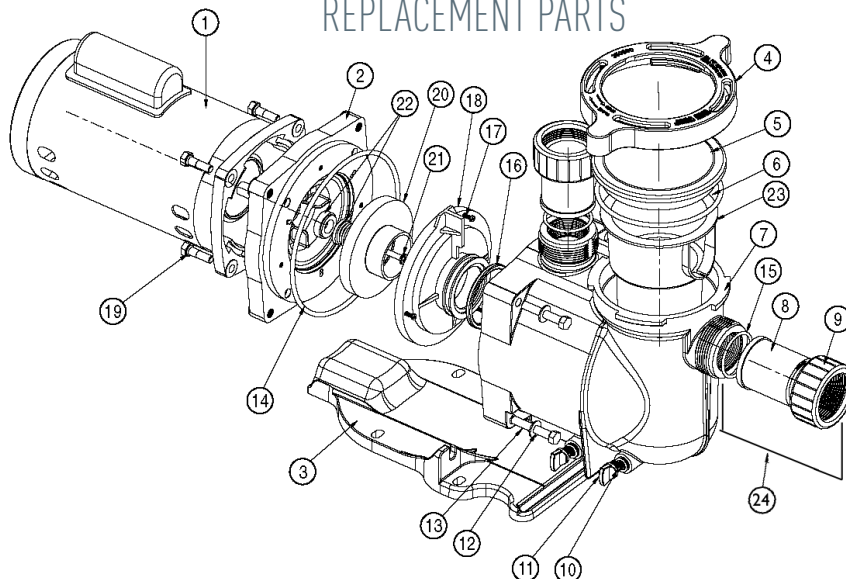


SUPERFLO® PUMP

REPLACEMENT PARTS



| Item | Part No. | Description |
|---|----------|---|
| SINGLE SPEED SUPERFLO MOTORS | | |
| 1 | 355018S | 1/2 HP Motor SQFL, 1 Speed, 1 phase, 115/208-230, 60 Hz, almond |
| 1 | 355018S | 3/4 HP Motor SQFL, 1 Speed, 1 phase, 115/208-230, 60 Hz, almond |
| 1 | 355020S | 1 HP Motor SQFL, 1 Speed, 1 phase, 115/208-230, 60 Hz, almond |
| 1 | 355022S | 1-1/2 HP Motor SQFL, 1 Speed, 1 phase, 115/208-230, 60 Hz, almond |
| 1 | 355024S | 2 HP Motor SQFL, 1 Speed, 1 phase, 115/208-230, 60 Hz, almond |
| 1 | 355026S | 2-1/2 HP Motor SQFL, 1 Speed, 1 phase, 208-230, 60 Hz, almond |
| 2 SPEED SUPERFLO MOTORS | | |
| 1 | 355003S | 1 HP Motor SQFL, 2 Speed, 1 phase, 60 Hz |
| 1 | 356630S | 1-1/2 HP Motor SQFL, 2 Speed, 1 phase, 60 Hz |
| 1 | 071320S | 2 HP Motor SQFL, 2 Speed, 1 phase, 60 Hz |
| ENERGY EFFICIENT SUPERFLO MOTORS | | |
| 1 | 355008S | 1/2 HP Motor SQFL, 1 Speed, 1 phase, 60 Hz, 115/208-230, almond |
| 1 | 355008S | 3/4 HP Motor SQFL, 1 Speed, 1 phase, 60 Hz, 115/208-230, almond |
| 1 | 355008S | 1 HP Motor SQFL, 1 Speed, 1 phase, 60 Hz, 115/208-230, almond |
| 1 | 355010S | 1.5 HP Motor SQFL, 1 Speed, 1 phase, 60 Hz, 115/208-230, almond |
| 1 | 355012S | 2 HP Motor SQFL, 1 Speed, 1 phase, 60 Hz, 208-230, almond |
| 1 | 355014S | 2.5 HP Motor SQFL, 1 Speed, 1 phase, 60 Hz, 208-230, almond |
| SUPERFLO PUMPS | | |
| 2 | 356012 | Seal plate |
| 3 | 350094 | Base |
| 4 | 350090 | Clamp, Cam & Ramp® |
| 5 | 350091 | Lid |

| Item | Part No. | Description |
|---------------------------|----------|---|
| 6 | 357255 | O-ring, lid No. 2-357 |
| 7 | 350089 | Volute |
| 8 | 350093 | Adaptor, 2 req. |
| 9 | 350092 | Nut, 2 req. |
| 10 | 192115 | O-ring drain plug, 2 req. |
| 11 | 071131 | Drain plug, 2 req. |
| 12 | 355621 | Screw, 3/4-16 x 2-1/4 Hex hd, 4 req. |
| 13 | 072184 | Washer, 3/8 in. SS, 4 req. |
| 14 | 355619 | O-ring, 1 req. |
| 15 | 6020018 | O-ring adaptor No.2-226, 2 req. |
| 16 | 355030 | Seal diffuser |
| 17 | 355334 | Screw, No.8-32 hex washer HD, 3 req. |
| SUPERFLO DIFFUSERS | | |
| 18 | 355617 | Diffuser, 1/2 HP |
| 18 | 355617 | Diffuser, 3/4 HP |
| 18 | 355617 | Diffuser, 1 HP |
| 18 | 355618 | Diffuser, 1-1/2 HP |
| 18 | 355618 | Diffuser, 2 HP |
| 18 | 350170 | Diffuser, 2-1/2 HP |
| 19 | U30-74SS | Hex head screw, 3/8, 16, 4 req. |
| SUPERFLO IMPELLERS | | |
| 20 | 355043 | Impeller 1/2 HP |
| 20 | 355043 | Impeller 3/4 HP |
| 20 | 355067 | Impeller 1 HP |
| 20 | 355074 | Impeller 1-1/2 HP |
| 20 | 355086 | Impeller 2 HP |
| 20 | 355093 | Impeller 2-1/2 HP |
| 21 | 355389 | Screw, impeller locking |
| 22 | 354545S | Seal set |
| 23 | 355667 | Basket, large |
| KITS | | |
| 24 | 350157 | Union Kit, items 8, 9 & 15 [2 of each included] |
| NOT SHOWN | | |
| | 79129900 | 2-Speed Toggle Switch |
| | 400013Z | Motor End Cap and Screw |