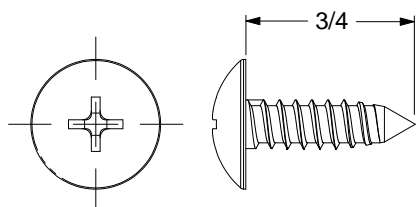


# ASSEMBLE Top Seat, Vertical and Cover 7 FRAME

## a) PRE-ASSEMBLING VERTICALS

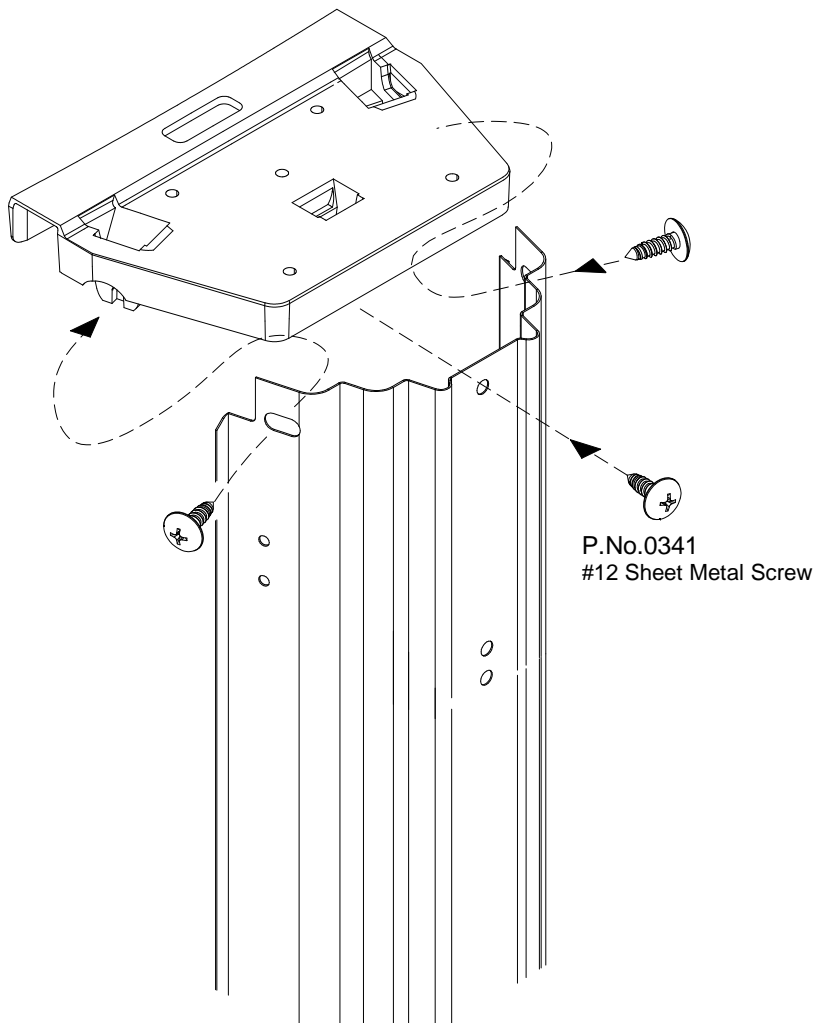
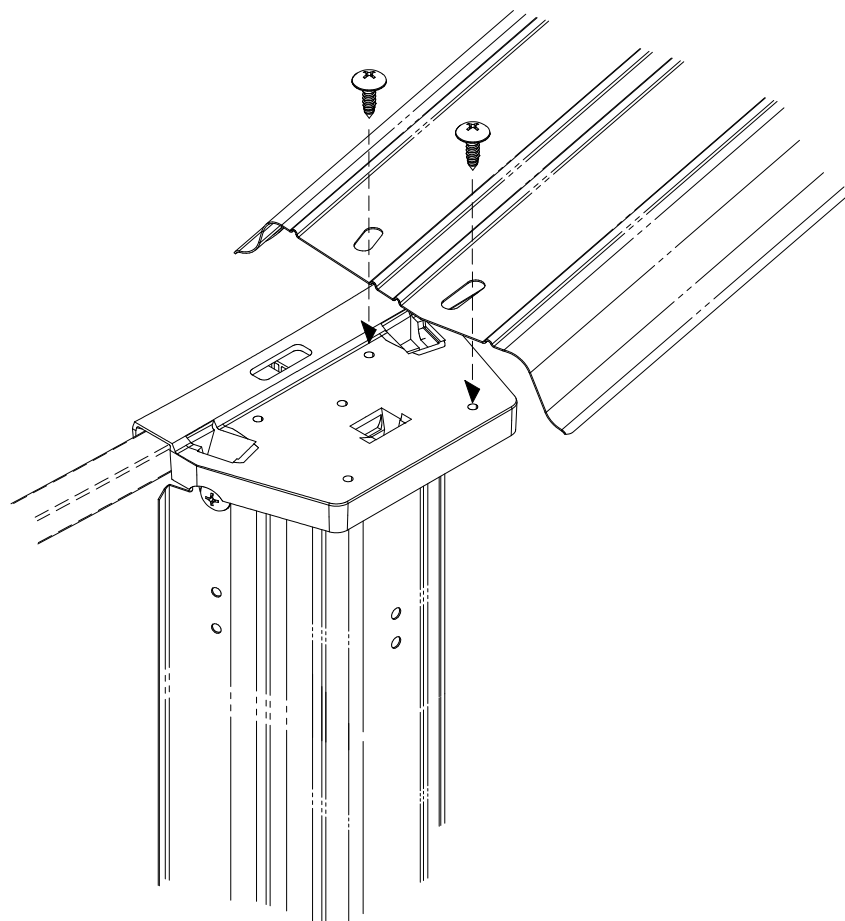
Put Resin Upper Joint as shown in the Figure, tighten up #12 Sheet Metal Screws.



P.No.0341  
#12 Sheet Metal Screw

## b) INSTALLING VERTICALS

Hook Assembled Resin Upper Joint over the top rail. Secure the bottom of vertical to Resin Lower Joint by #12 Sheet Metal Screws, Continue installing verticals in this manner All around the pool.



P.No.0341  
#12 Sheet Metal Screw

## c) INSTALLING TOP SEATS

Place each of the top seat over the upper joints and secure with #12 Sheet Metal Screws.

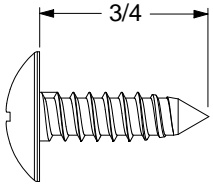
Install all of top seat in this way around entire pool. Top seat are installed between verticals. Each end of top seat rest on upper joint and attached to it.

It may be necessary to move the complete verticals slightly to left or right to accommodate the top seat. Do this carefully as not disturb the earth mound, Check all screws to be sure they are tight.

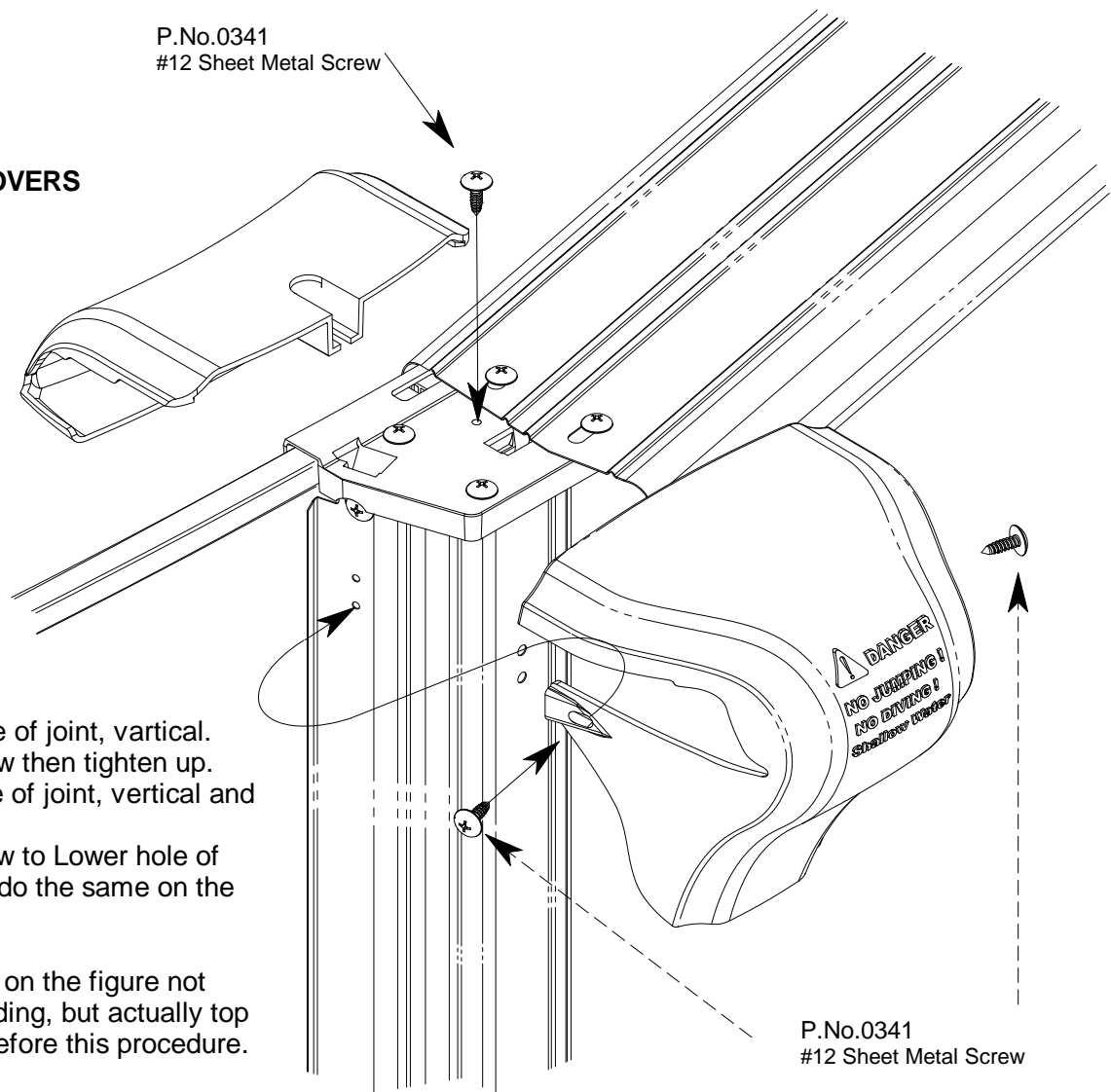


P.No.0341  
#12 Sheet Metal Screw

#### d) INSTALLING SEAT COVERS



P.No.0341  
#12 Sheet Metal Screw



Put smaller cover to inside of joint, vertical.  
Put #12 Sheet Metal Screw then tighten up.  
Put larger cover to outside of joint, vertical and  
slide into smaller cover.  
Put #12 Sheet Metal Screw to Lower hole of  
side of vertical as shown. do the same on the  
other side of verticals.

Note: left side of Top seat on the figure not  
shown for easy understanding, but actually top  
seat should be attached before this procedure.

P.No.0341  
#12 Sheet Metal Screw

### FOR OVAL POOL ONLY

#### e) INSTALLING OVAL SIDE TOP SEAT AND SIDE SEAT COVERS

Use #12 Sheet Metal Screw to Install oval side top  
seats on top of Resin side upper joint P.No.3177.  
Cut two prong of inside of side seat cover as shown  
in the figure, then attach side seat cover by placing  
it from inside of pool in right position as shown in  
the figure.

Put #12 Sheet Metal Screw to side seat cover and  
tighten it up. Put seat cover cap on top of side seat  
cover.

