

Pool Breakdown

Riviera 27' Round 54"

NB12927

<p><u>FEATURES:</u> Round Size: 27' Depth: 54" 30 Year Warranty</p>	<p><u>STRUCTURE COMPOSITION:</u> Resin Top Rail Resin Seat Covers Steel Uprights Steel Sidewall</p>
--	--

	Qty	Carton #	Carton Content Description
<input type="checkbox"/>	1	2754-8RV-DB-2	TOP SEAT; VERTICAL; WARRANTY; SAFETY DECALS; PARTS LIST+FRAME INSTRUCTION; SAFETY BOOKLET; ROUND INSTRUCTION
<input type="checkbox"/>	1	27-5/8RAIL-2-RR	5/8" RAIL
<input type="checkbox"/>	1	27-8PR-DB-3	SEAT COVER; SEAT COVER BRACKET; SHEET METAL SCREW; SEAT COVER CAP
<input type="checkbox"/>	1	2754-ISD-W 1/2	PLASTIC EDGING; TRUSS HEAD SCREW; WALL SECTION 1
<input type="checkbox"/>	1	2754-ISD-W 2/2	REINFORCING WASHER; NUT; WALL SECTION 2

Carton Breakdown

Riviera 27' Round 54"

NB12927

Key #	Qty	Item #	Mfg Part #	Part Description	
FRAME CARTON # 2754-8RV-DB-2					
<input type="checkbox"/>	1	18	NBP1220	2385DB	8in Vertical (54" High)
<input type="checkbox"/>	6	18	NBP1221	1100DB	8in Resin Top Seat L=1444mm (56-7/8")
<input type="checkbox"/>	---	1	----	0022	Warranty
<input type="checkbox"/>	---	1	----	0023	Safety Decals
<input type="checkbox"/>	---	1	----	0024	Parts List + Frame Instruction
<input type="checkbox"/>	---	1	----	0025	Safety Booklet
<input type="checkbox"/>	---	1	----	0001	Round Instructions
RAIL CARTON # 27-5/8RAIL-2-RR					
<input type="checkbox"/>	4	36	NBP1227	1727-R	5/8in Rail L=1431mm (56-3/8")
FRAME CARTON # 27-8PR-DB-3					
<input type="checkbox"/>	2	18	NBP1061	2176	7in Resin Joint - Upper
<input type="checkbox"/>	7	18	NBP1222	2483DB	8in Seat Cover Bracket
<input type="checkbox"/>	8	18	NBP1223	2482DB	8in Seat Cover
<input type="checkbox"/>	10	18	NBP1062	2276	7in Resin Joint - Lower
Seat Cover Assembly Bolt Package (Order # NBP1203)					
<input type="checkbox"/>	3	198	NBP1203	0341*	#12 Sheet Metal Screw
<input type="checkbox"/>	3	18	NBP1203	0345*	5mm x 40mm Sheet Metal Screw
<input type="checkbox"/>	3	18	NBP1224	2402DB	Resin Seat Cover Cap

*These part #'s are not available to purchase separately. They must be purchased as the Seat Cover Assembly Bolt Package, Order # NBP1203

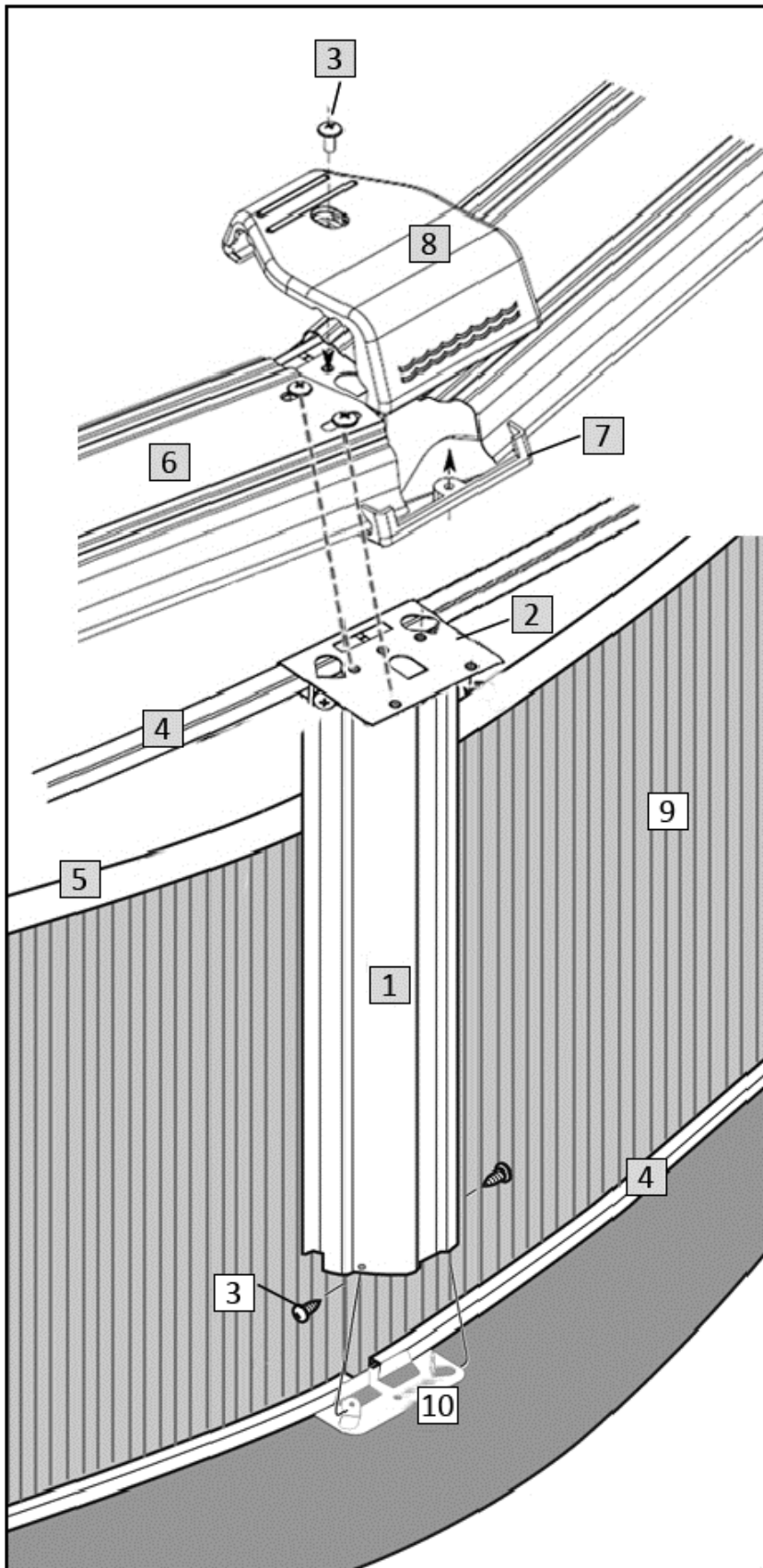
Carton Breakdown
Riviera 27' Round 54"
NB12927

Key #	Qty	Item #	Mfg Part #	Part Description	
WALL CARTON # 2754-ISD-W 1/2					
<input type="checkbox"/>	5	20	NL107	8100	Plastic Edging
<input type="checkbox"/>	9	1	PC5608	54" Wall	Steel Dark Brown Wall Section 1
54" Wall Joint Bolt Package (Part # 0114, Order # NBP1067)					
<input type="checkbox"/>	3	27	NBP1067	0513*	1/4" x 1/2" Truss Head Screw
WALL CARTON # 3354-ISD-W 2/2					
<input type="checkbox"/>	9	1	PC5609	54" Wall	Steel Dark Brown Wall Section 2
54" Wall Joint Bolt Package (Part # 0114, Order # NBP1067)					
<input type="checkbox"/>	3	53	NBP1067	0411*	1/4" Reinforcing Washer
<input type="checkbox"/>	3	27	NBP1067	0611*	1/4" Nut

*These part #'s are not available to purchase separately. They must be purchased as the Wall Joint Bolt Package, Order # NBP1067

Riviera 27' Round 54"

NB12927



Key #	Part Description	Item #
1	8in Vertical	NBP1220
2	Resin Upper Joint	NBP1061
3	Seat Cover Hardware	NBP1203
3	Wall Joint Hardware	NBP1067
4	5/8" Rail	NBP1227
5	Plastic Edging	NL107
6	8in Resin Top Seat	NBP1221
7	8in Seat Cover Bracket	NBP1222
8	8in Seat Cover	NBP1223
9	Wall Section 1	PC5608
9	Wall Section 2	PC5609
10	Resin Lower Joint	NBP1062