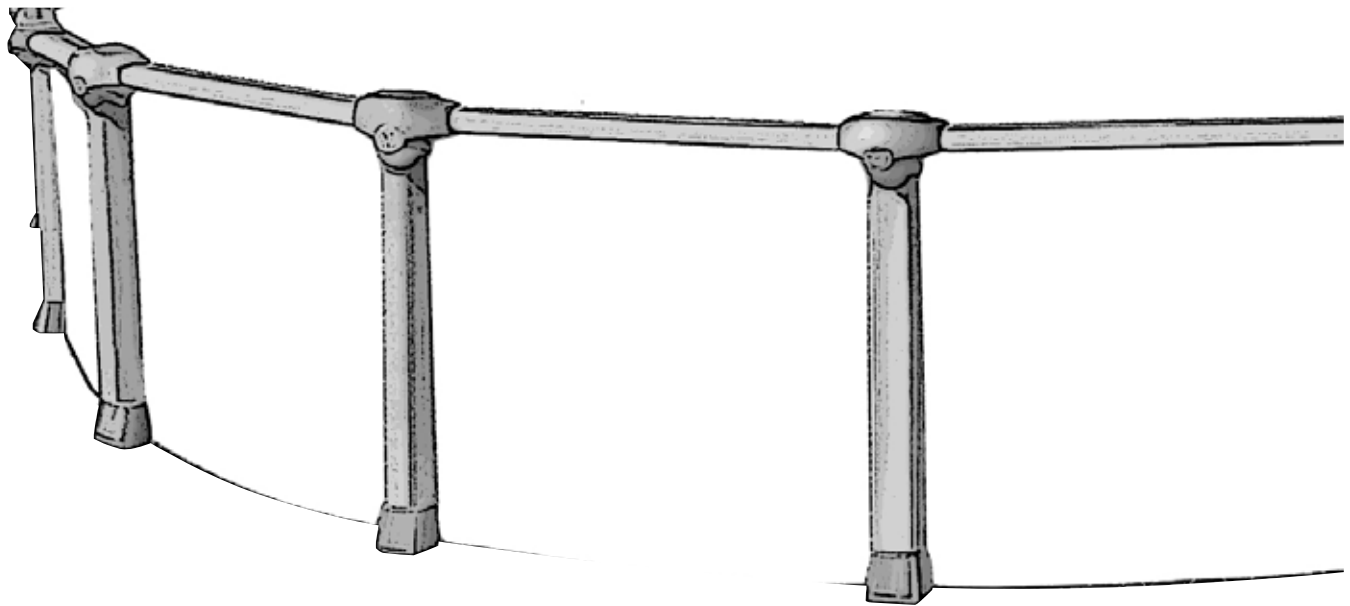
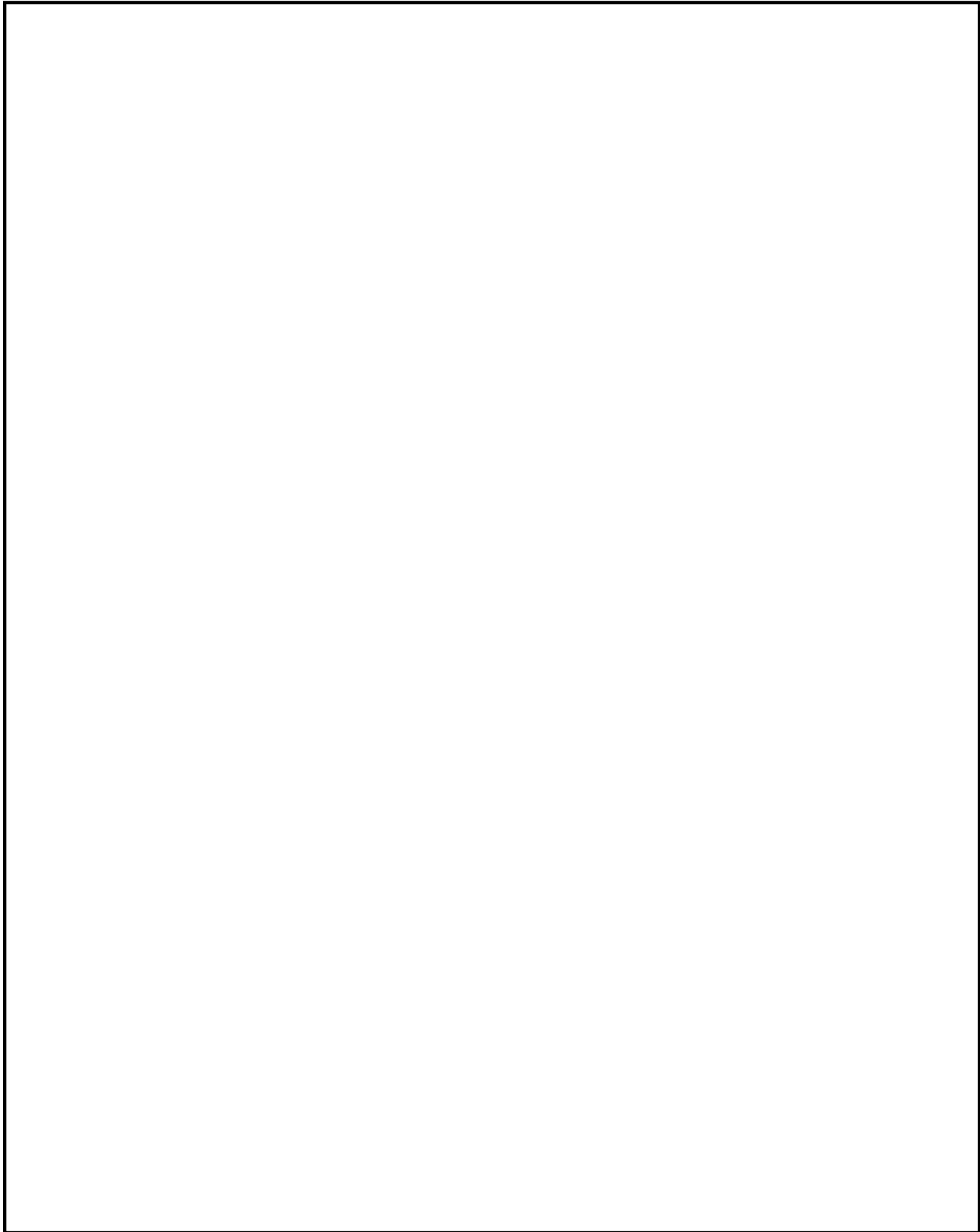


V35042

**OHANA & PIB POOL MODEL
INSTALLATION MANUAL - OVAL POOLS**





ABOVE GROUND POOL SAFETY

PLEASE READ BEFORE INSTALLATION



WARNING

FAILURE TO HEED THESE WARNINGS CAN RESULT IN PERMANENT INJURY, PARALYSIS FROM A BROKEN NECK, ELECTROCUTION OR DROWNING. THIS POOL IS NOT DESIGNED FOR DIVING OR JUMPING! DANGEROUS INJURY CAN RESULT, SHALLOW WATER!

Your pool contains a large quantity of water, and is deep enough to present inherent dangers to life and health unless the following safety rules are strictly observed. First-time users run the highest risk of injury. Make sure everyone understands. To insure your pool is used safely you **must** observe the following safety precautions:

1. NO JUMPING OR DIVING

The top rail of your pool is not a walkway and must not be used for jumping or diving. Do not permit jumping or diving into the pool from a deck or the top rail of the pool. Diving or jumping into the pool can result in serious injury.

2. NEVER USE THE POOL ALONE

Never permit the pool to be used unless it is attended by at least one person other than the bather. Someone should always be available to lend assistance in an emergency.

3. NEVER LEAVE CHILDREN UNATTENDED

Never leave a child alone and unsupervised in or near the pool—even for a second. There is no substitute for constant adult supervision.

4. NO ROUGH PLAY

Do not permit "rough-play" in and around your pool. Surfaces can become slippery and hazardous when wet.

5. LIGHT THE POOL AT NIGHT

If the pool is used after dusk, adequate lighting must be provided. Illumination in the pool area must be sufficient to clearly judge pool depth and all features in and around the pool. For lighting recommendations, consult your local licensed electrical contractor

6. RESTRICT ACCESS TO THE POOL

Do not leave chairs or other furniture beside the pool that could be used by a child to climb up into the pool. Ladders must be removed whenever the pool is unattended. A fence with a lockable gate around the pool or yard is strongly recommended and may be required by law in some jurisdictions.

7. NO ALCOHOL OR DRUGS

Never drink alcoholic beverages or use any intoxicants which could hinder your judgment and reflexes.

8. KEEP YOUR POOL CLEAN AND SANITARY

Your filter system will remove suspended particles from the water and the surface skimmer will remove insects, leaves and other debris from the water surface. Use the correct pool chemicals as directed to destroy harmful bacteria and prevent formation of algae. Remember, unsanitary water is a serious health hazard.

FOLLOW ALL SAFETY INSTRUCTIONS

Read and follow all safety instructions packaged with pool, ladder, deck or any other accessory. Additional pool safety publications can be obtained by contacting: The Association of Pool & Spa Professionals (www.apsp.org)

9. KEEP OFF TOP LEDGES

Do not walk on top ledges. They can be slippery and they are not a walkway.

10. POOL COVER SAFETY

The cover must have a tamperproof locking retainer cable that positions the cover around the pool wall and keeps it securely in place. Never allow anyone, especially small children on the cover. Asphyxiation or drowning could result. When purchasing any pool cover, please consult a swimming pool professional.

11. ELECTRICAL HAZARD

Never touch or attempt to service electrical equipment, including the filter when your body and/or the ground is wet. Electrocution or permanent injury due to high voltage (120V AC) could result. The pool should be bonded in accordance with Section 680-26 of the National Electrical Code. For further assistance contact your dealer or a local licensed electrician. Do not use pool during electrical or rain storms.

12. SAFETY ROPE & POLE

Keep a safety rope 1/4" by 50" with a flotation buoy with an outside diameter of 15". Have accessible in a prominent area by your pool. Keep a pole not less than 16 feet (4.88m) long with a blunt or hook end available at pool side in case of emergencies.

13. POOL CHEMICALS

Do not place chlorine, chlorine tablets or sticks directly into skimmer, or winterize your pool with liquid chlorine. Damage to the skimmer, pool liner and filter will result. Failure to obey this instruction will void all component warranties. Always follow Chemical Manufacturer's instructions when storing, handling and dispensing pool chemicals.

14. CHECK FOR DAMAGE

Periodically check your pool and ladder components for damage and wear. Be sure all screws are in place. Replace all damaged or worn components and tighten all screws before you use the pool, deck or ladders. At first sign remove rust and touch up immediately.

15. POOL PARTS

Never modify the pool or accessories, or remove or drill holes in the pool, deck or ladder components unless instructed. Your pool wall is made of thin metal, there is an inherent cut hazard with metal so use gloves during installation. Always use Original Equipment Manufactured parts for your replacement parts.



**REMEMBER
WATCH
CHILDREN**



IMPORTANT NOTICE READ BEFORE INSTALLATION!

The safety stickers must be installed as per following instructions. Failure to properly install warning labels will void warranty. Failure to mount these safety labels may subject you to substantial liability in case of injury. These warning are not to be removed under any circumstances! If they become discolored or fall off please request replacements which will be sent at no charge.



PLACE SIGN ON
LINER ABOVE WATER
LINE, OPPOSITE EN-
TRY TO POOL



PLACE SIGN ON
WALL NEXT TO
POOL ENTRY

Section 1

GENERAL INSTRUCTIONS - BRACELESS OVAL POOLS GROUND PREPARATION

Read all instructions completely before you begin.

A. DETERMINE THE LOCATION OF YOUR POOL

1. The Terrain

Pay special attention to choosing the right location for your pool:

- Choose a large area, as flat and level as possible and well drained. **(Image 1)**

- Choose a spot on dry, firm earth (stabilizer or other)—do not install the pool on asphalt, tar or oil based surfaces, gravel, peat moss, wood or chemically treated soil.

- Check with your pool dealer to see if Nut Grass grows in your area. This type of grass may grow up through your pool liner. Your dealer will be able to advise how best to treat the site.

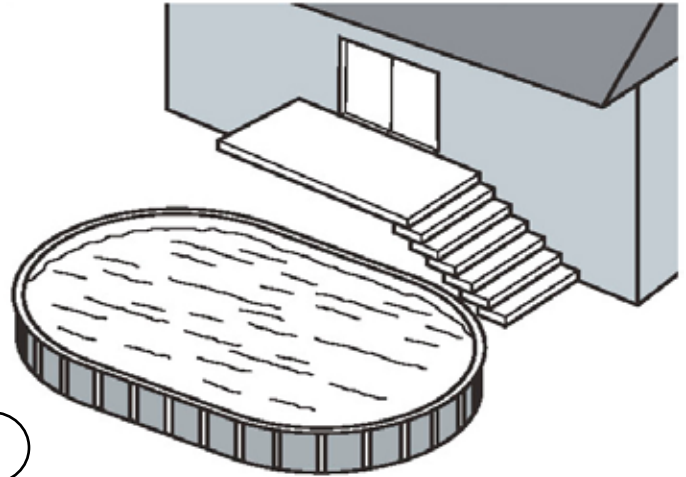
- Sloped areas will need to be made level by digging away high spots, not by filling low spots—be prepared to hire earth-moving equipment if necessary.

(Images 2a & 2b)

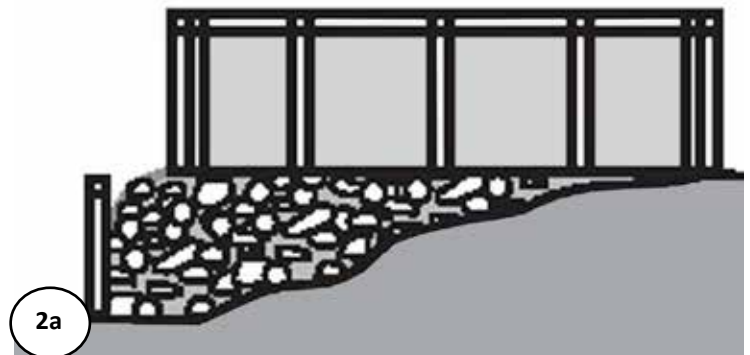
- Ensure the earth is well compacted and a wall is placed to prevent the earth from seeping out.

(Image 2a)

- If you need to install partly in the ground, you must contact your dealer to see if this is an option for you and that you meet law requirements in your jurisdiction. **(Image 2c)**



1



2a



2b



2c



Important Note:

Ground preparation is one of the most important steps in the installation process. A proper foundation will ensure the rest of the pool assembly goes smoothly and that no problems will occur when the pool is filled with water.

Section 1

GENERAL INSTRUCTIONS - BRACELESS OVAL POOLS GROUND PREPARATION

A. CONT. DETERMINE THE LOCATION OF YOUR POOL

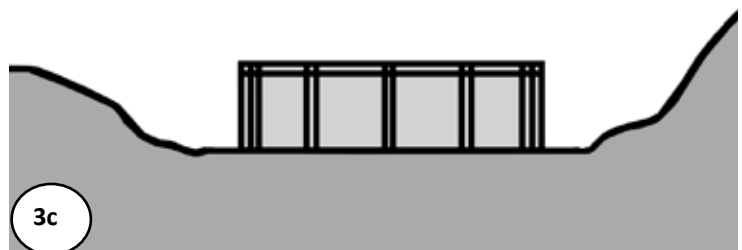
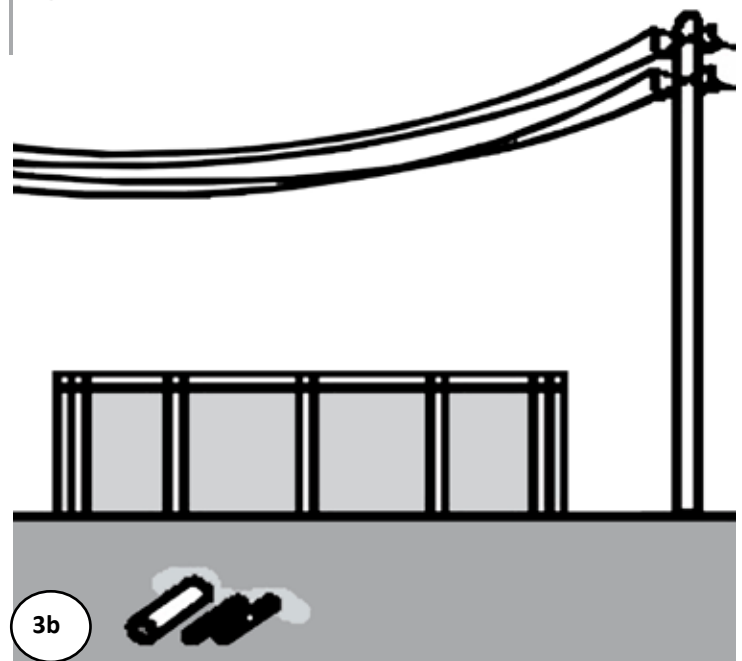
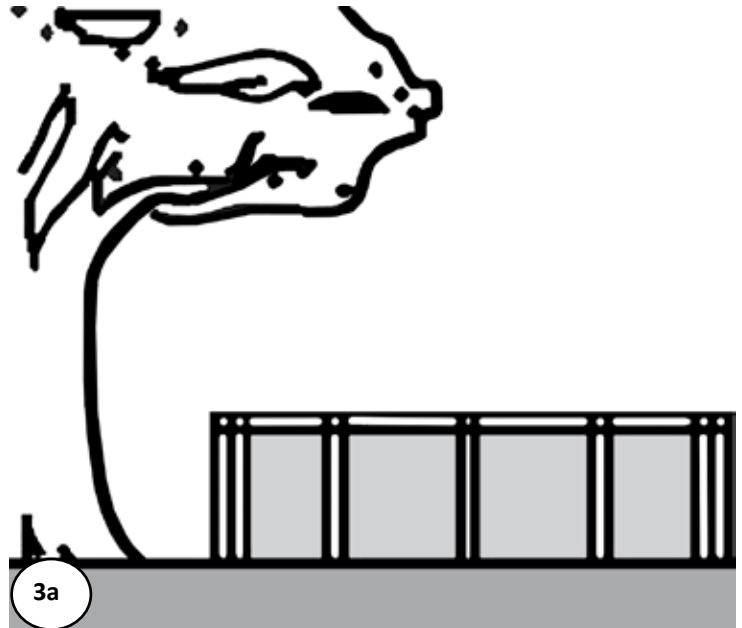
2. Things to Avoid

Do not locate your pool near or on any of the following (*Images 3a to 3c*):

- Overhanging tree branches.
- Overhead wires and clotheslines.
- Buried pipes and wires. Contact your gas, electric and telephone utilities to find buried pipes and wires before you dig.
- Areas with poor drainage.
- Grass, stones and roots. Grass will rot underneath the pool liner, and stones and roots will damage the pool liner.
- Areas recently treated with oil-based weed killers, chemicals or fertilizers.

3. Plan Ahead

- Will you be adding an adjacent deck later? Be sure to leave room.
- Will you be using pool accessories or other appliances that need electricity or gas? Locate your pool near these services or plan to have them installed later by a licensed contractor.



Important Note:

When locating the centre of the pool, be sure to take into consideration any structures (deck, patio, house) or relevant items (change rooms, gazebo, etc.) that the pool may need to line up with and ensure that the pool is in the most visual pleasing location for your property.

Section 1

GENERAL INSTRUCTIONS - BRACELESS OVAL POOLS GROUND PREPARATION

A. CONT. DETERMINE THE LOCATION OF YOUR POOL

4. Tools Needed



Compactor



Hammer



Water hose



Level



File



Vacuum cleaner



Pliers



Rake



Lawn roller



Metal snips



Screwdriver



Wheelbarrow



Shovel



Spray paint



Mallet



Measuring tape



Duct tape



Trowel



Wrench

List of required materials

- Straight wood plank
- Material that provides a permanent base (ex. Crushed stone)
- Fine sand (void of debris)
- Cement blocks (5cm x 20cm x 40cm / 2"x 8"x16") (optional)
- 2x Plywood (60cm x 120cm / 2ft x 4ft)
- Wood board (30cm x 20cm / 1ft x 1ft)
- Vinyl covered hooks (to hold wall steady)
- String and stakes & wooden pegs
- Prefabricated cove sections (optional)
- Pool carpeting (optional)
- Rope
- Polyethylene Plastic Sheeting



- Optical Level
Can be useful for precise measurements

Section
1

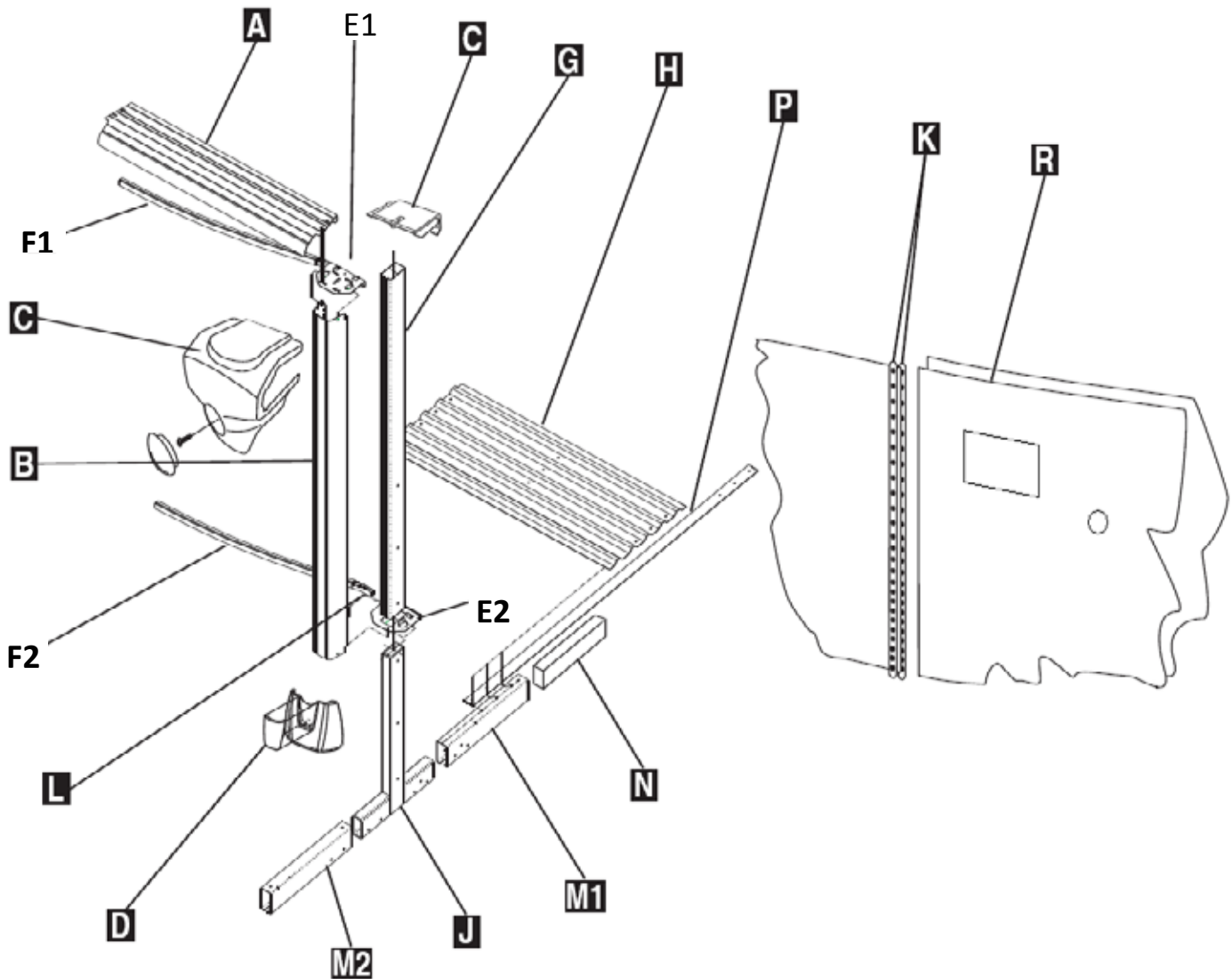
GENERAL INSTRUCTIONS - BRACELESS OVAL POOLS
GROUND PREPARATION

PARTS LISTING - EXPLODED VIEW

Ohana STR
PZEN-YE52SSPSPSB11
Yard Extender
Oval



Important Note:
Make sure you have all the parts necessary before you start installation.



Important Note:
Do not throw away the extruded polystyrene sections.

**Section
1**

**GENERAL INSTRUCTIONS - BRACELESS OVAL POOLS
GROUND PREPARATION**

PARTS LISTING - CONTENTS

Product Description:				Ohana Oval				Revised Sept 2013			
Product Code:				PZEN-YE52SSPSPB11							
				Quantity required for installation (by pool size)							
Index#	Description	Part #	Length	1223	1526	1530	1833				
A	Top ledge 44"	ART211-1295044	44,000"	8	8	10	10				
A	Top ledge 45"	ART211-1295045	45,000"	8							
A	Top ledge 48"	ART211-1295048	48,000"		10	10					
A	Top ledge 49"	ART211-1295049	49,750"				12				
B	Upright	ART711-R12954M	51,750"	16	18	20	22				
C	Ledge cover	AR211-23120ABC		16	18	20	22				
D	Foot cover	AR711-23300AC	oh	16	18	20	22				
E	Plate (round sections)	21120A		20	24	24	28				
E1	Top plate (straight sections)	21134		6	6	8	8				
E2	Bottom plate (straight sections)	21124		6	6	8	8				
F1	Stabilizer 38"	1254138	38,000"	4	4	6	6				
F2	Bottom Rail 38"	LA1254138	38,000"	4	4	6	6				
F1	Stabilizer 41"	1254141	41,000"	4	4	4	4				
F2	Bottom Rail 41"	LA1254141	41,000"	4	4	4	4				
F1	Stabilizer 45"	1254412	44,750"								
F2	Bottom Rail 45"	LA1254412	44,750"	8							
F1	Stabilizer 47"	1254715	47,750"		10	10					
F2	Bottom Rail 47"	LA1254715	47,750"		10	10					
F1	Stabilizer 49"	1254918	49,125"				12				
F2	Bottom Rail 49"	LA1254918	49,125"				12				
G	Vertical sleeve	20506	51,000"	6	6	8	8				
H	Brace plate	20809	47,000"	4	4	6	6				
J	T unit	20801		6	6	8	8				
K	Steel bars	11823	52,000"	2	2	2	2				
L	Junction Bottom Rail	12539		24	24	32	32				
M1	Horizontal sleeve with pen	20810	17,000"	6	6	8	8				
M2	Horizontal sleeve without pen	20802	17,000"	6	6	8	8				
N	Extruded polystyrene piece	1000100		6	6	8	8				
P	Steel strap 26"	20526		3	-	-	8				
P	Steel strap 60"	20560		6	9	12	12				
R	Wall			1	1	1	1				
	Hardware bag for pool	SACV12X34-169	#12 screws 3/4"	1							
	Hardware bag for pool	SACV12X34-191	#12 screws 3/4"		1						
	Hardware bag for pool	SACV12X34-215	#12 screws 3/4"			1					
	Hardware bag for pool	SACV12X34-235	#12 screws 3/4"				1				
	Hardware bag for wall	1050000054		1	1	1	1				
	Hardware bag for wall	SACSJF-4				2	2				
	Additional hardware bag	SACSJF-6		1	1						
	Bag screws crowns	SACVCP-POV	#12 screws 1/2"	2	2	2	3				
	Instruction DVD	36876		1	1	1	1				



Section 1

GENERAL INSTRUCTIONS - BRACELESS OVAL POOLS GROUND PREPARATION

B. PREPARE THE FOUNDATION OF YOUR POOL

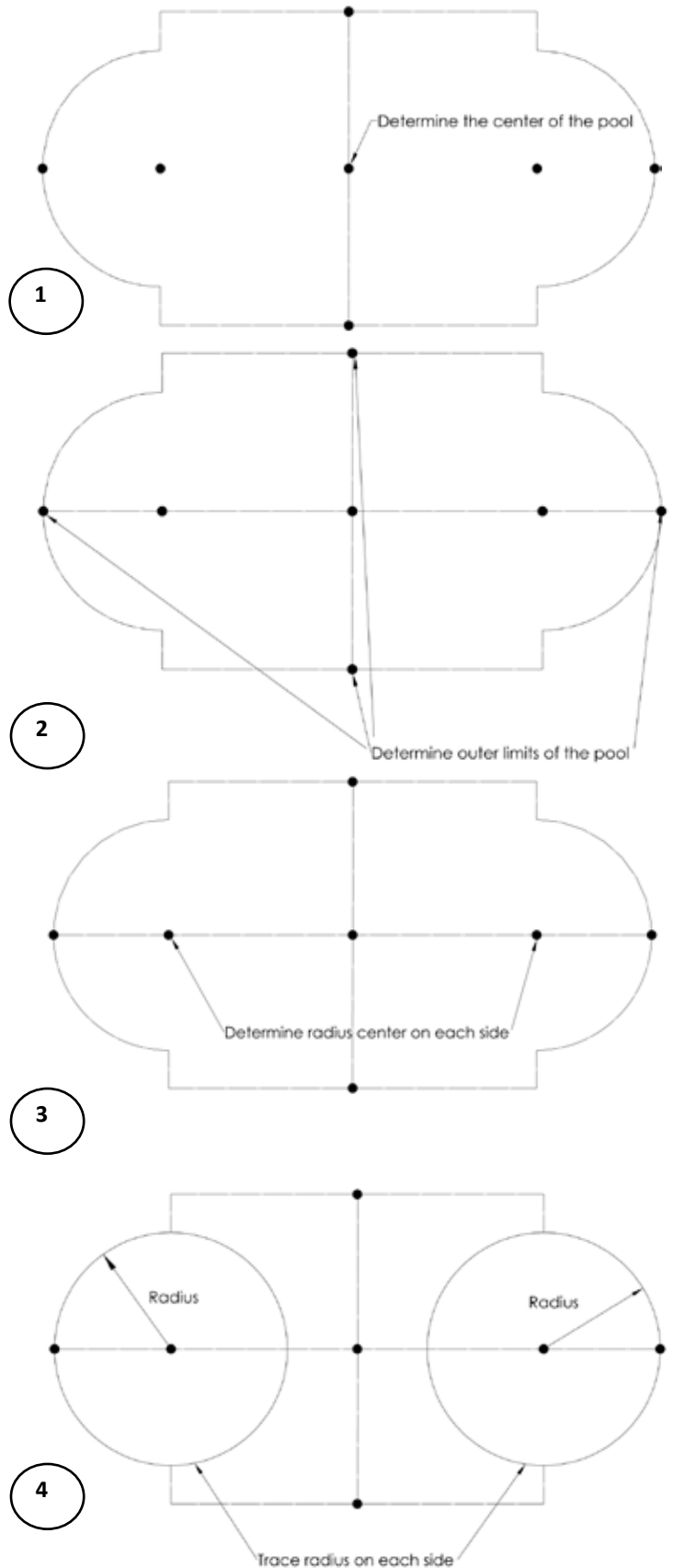
1. Mark out the Area

- a. The next following steps will show you how to mark out the area you need for the oval pool. This marked area will be larger than the pool size itself, but this space is needed. Find a site where the ground is stable, level and well drained. Once you have selected your site, determine where the middle of your pool will be.

See Diagrams:

Please see pg 8 for an example on how to correctly mark your pool area. Please verify your pool's footprint for correct measurements on the last pages of this Section 1.

- b. Drive a peg into the ground at the centre point.
(Image 1)
- c. Once the center has been established, you must now determine the outer limits of the perimeter of your pool. Add 12" (30 cm) inside this measurement to determine pool perimeter. *(Image 2)*
- d. Now you must make the round ends that will be the oval part. In order to do so, you will have to determine the center of the radius on each side and drive a peg into the ground. *(Image 3)*
- e. Using a length of string tied between the peg and a can of spray paint mark the circles on the ground.
(Image 4)

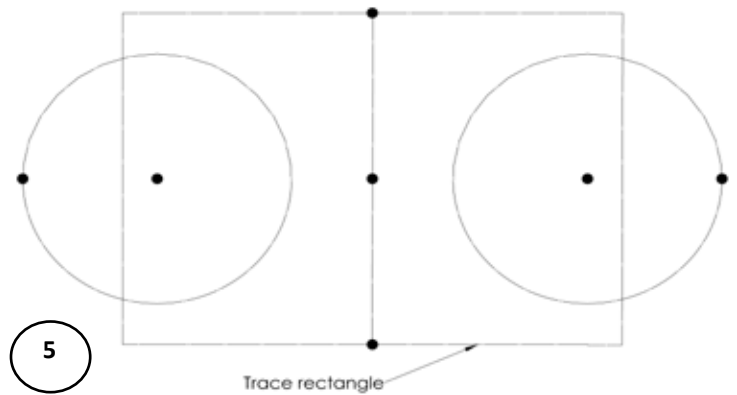


Section 1

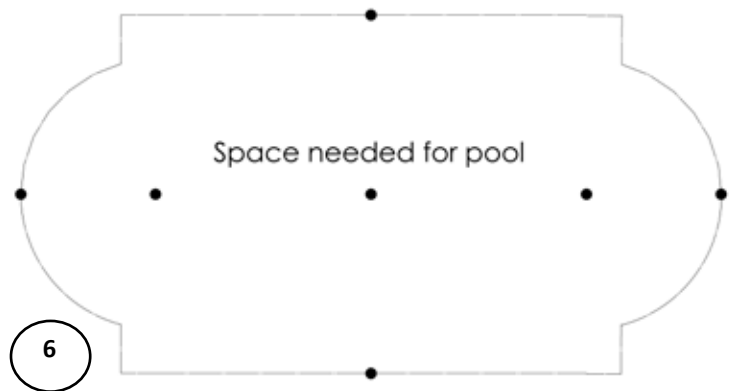
GENERAL INSTRUCTIONS - BRACELESS OVAL POOLS GROUND PREPARATION

B. CONT. PREPARE THE FOUNDATION OF YOUR POOL

- f. Mark areas along both straight sides of your oval. Use pegs and string as a guide for the can of spray paint to mark straight lines. *(Image 5)*

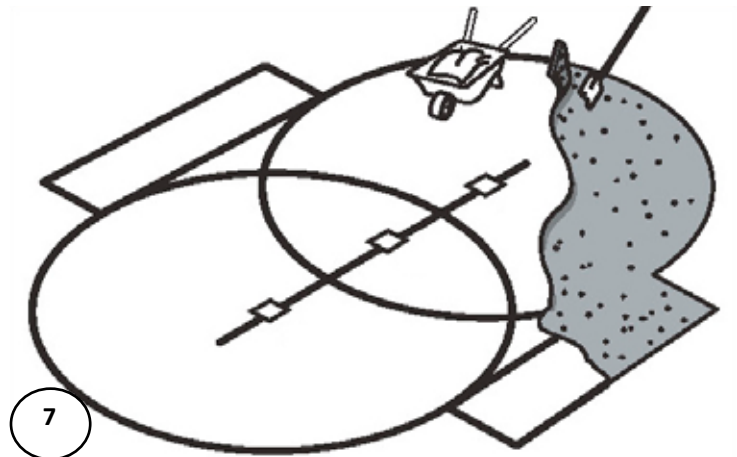


- g. You now have the space marked out that is needed for your oval pool. *(Image 6)*



2. Remove the sod

- a. Remove the sod from the area you have just outlined. *(Image 7)*
- b. Remove all debris (rocks, roots, etc) using a rake. Then compact the ground to achieve a firm base.



⚠ Important Note:
Your pool must be perfectly level. Take the time you need to be sure your foundation is perfectly level.

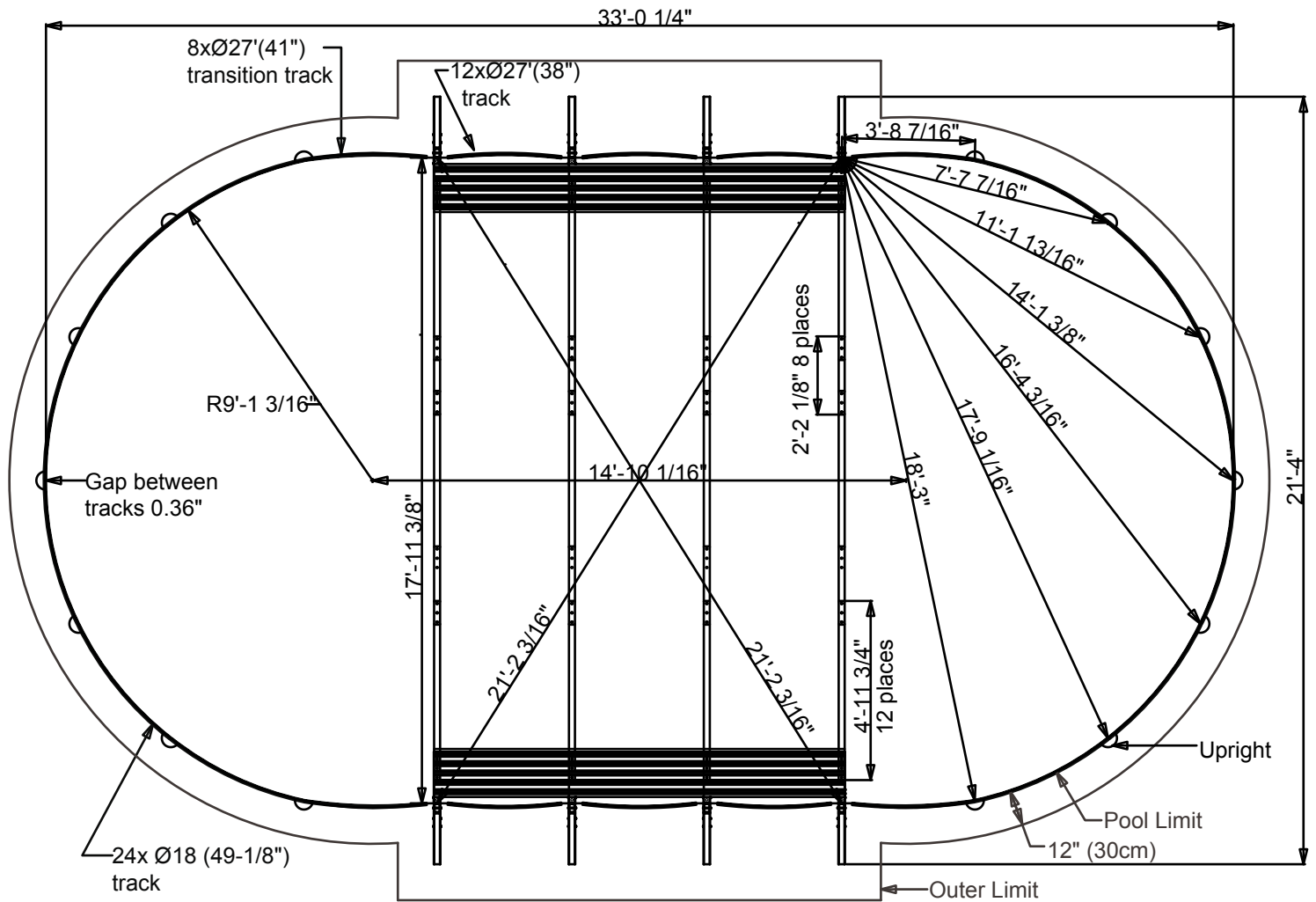
**Section
1**

**GENERAL INSTRUCTIONS - BRACELESS OVAL POOLS
GROUND PREPARATION**

B. CONT. PREPARE THE FOUNDATION OF YOUR POOL

Example on how to mark out pool area for an 18 x 33

Please be sure to use your pool's footprint for your pool size on the last pages of this Section1.



Perimeter 1043" (hole to hole)- Track length measured in track slot-All dimensions are in inches

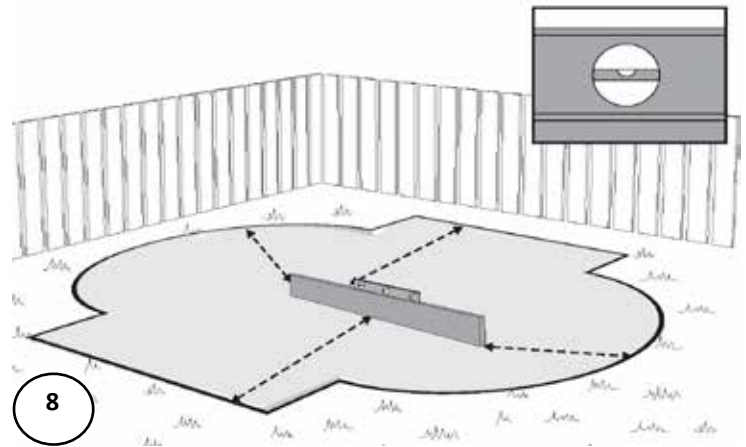
Section 1

GENERAL INSTRUCTIONS - BRACELESS OVAL POOLS GROUND PREPARATION

B. CONT. PREPARE THE FOUNDATION OF YOUR POOL

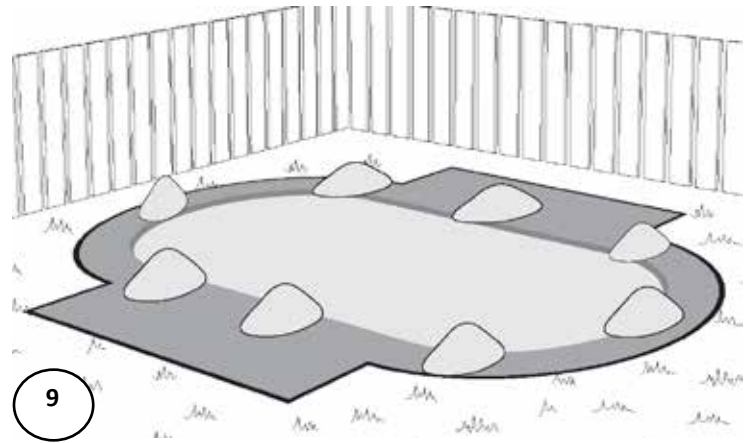
3. Make the area flat and level

- a. Remove all the high spots with a shovel, hoe or rake. To make sure your pool is stable, compact the ground well before adding the sand. Be prepared to hire earth moving equipment if you need to level a large area. Remember, your pool must be level across the diameter of the pool.
(Image 8)



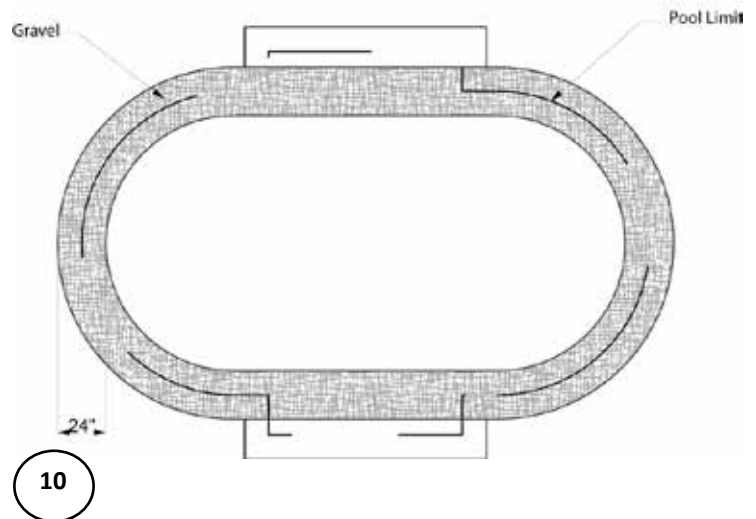
- b. Small dips and hollows may be filled in, but the soil must be hard-packed with a tamping tool.

- c. Take material such as rock dust or fine mortar that can conform a solid, permanent base and deposit this material around the rim of the basin. **(Image 9)**



- d. The material used should be spread around the perimeter of the pool to a width of 24" (60cm) and a thickness of 2" (5cm). **(image 10)**

- e. Recheck the outer perimeter of the oval shape, where the pool wall will be placed. Compact the ground and make sure there are no high or low spots. The bottom edge of the pool wall must rest flat on the ground and have no gaps under it.



Helpful Hint:
Use the optical level to ensure that the ground is perfectly flat and level.

Important Note:
Your pool must be perfectly level. Take the time you need to be sure your foundation is perfectly level.

Section 1

GENERAL INSTRUCTIONS - BRACELESS OVAL POOLS GROUND PREPARATION

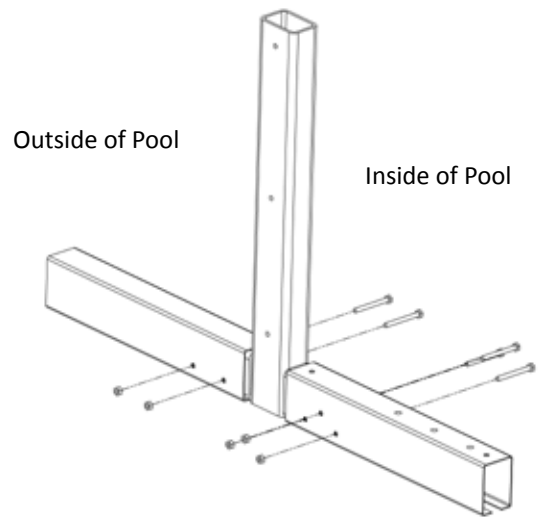
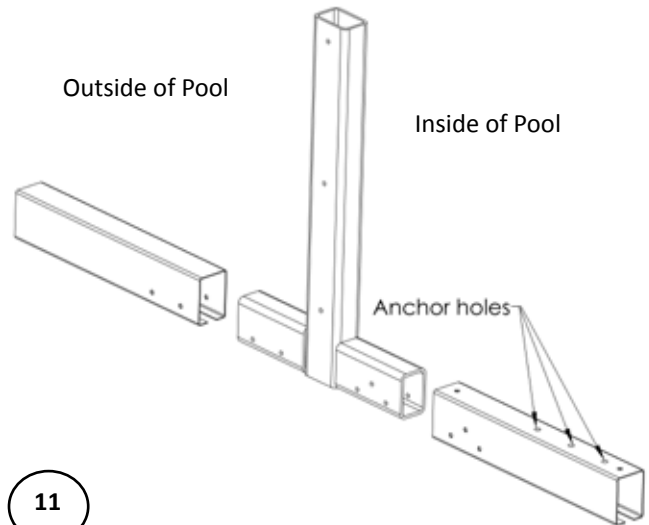
C. PRE-ASSEMBLY OF THE T JOINTS (BUTTRESS)

1. Assembling the buttress joints

- a. Insert the horizontal sleeves in the buttress joints. On each side insert two or three (depending on the side) 6.35 cm (2.5") mechanical screws with nuts.

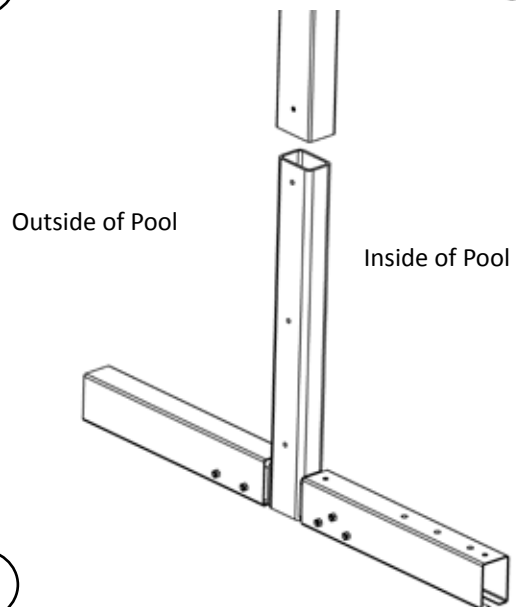
Note that the sleeve with the anchor holes should be installed facing into the pool. **(Images 11 & 12)**

Important Note:
Do not throw away the extruded polystyrene sections.



- b. Insert the vertical sleeve. **(Image 13)**

Important Note:
The opening of the vertical sleeve must be facing the outside of the pool.



Section 1

GENERAL INSTRUCTIONS - BRACELESS OVAL POOLS GROUND PREPARATION

C. CONT. PRE-ASSEMBLY OF THE T JOINTS (BUTTRESS)

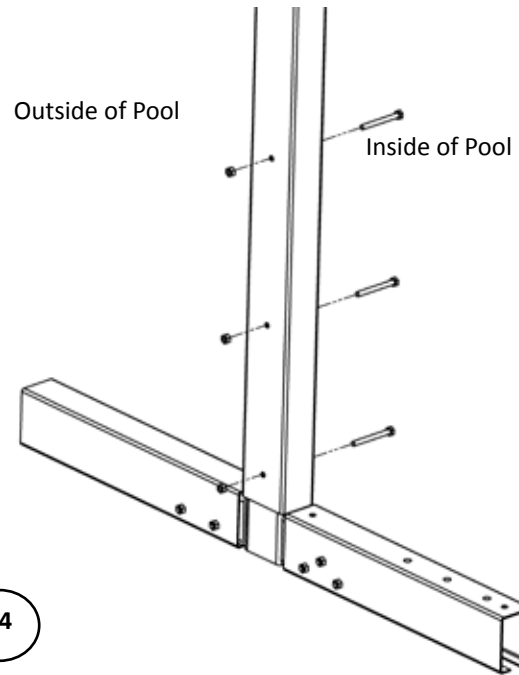
- b. Insert the three 6.35 cm (2.5") screws with nuts in the vertical sleeve. *(Image 14)*

IMPORTANT: If your pool has steel bottom plates, Do not permanently fasten the vertical sleeve with screws. You will need to remove the sleeve again in order to fit the bottom plate over the T more easily, before replacing and attaching the vertical sleeve.

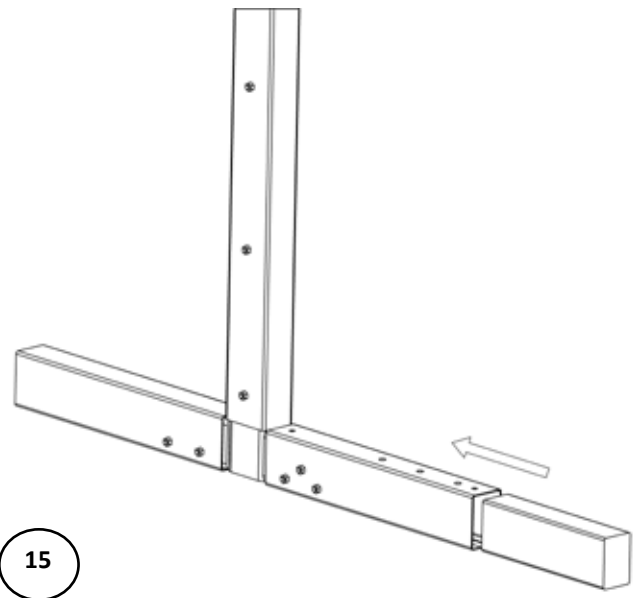


Important Note:

The opening of the vertical sleeve must be facing the outside of the pool.



- c. Insert the extruded polystyrene pieces into the opening of the horizontal sleeves with pen nuts (located inside the pool). *(Image 15)*



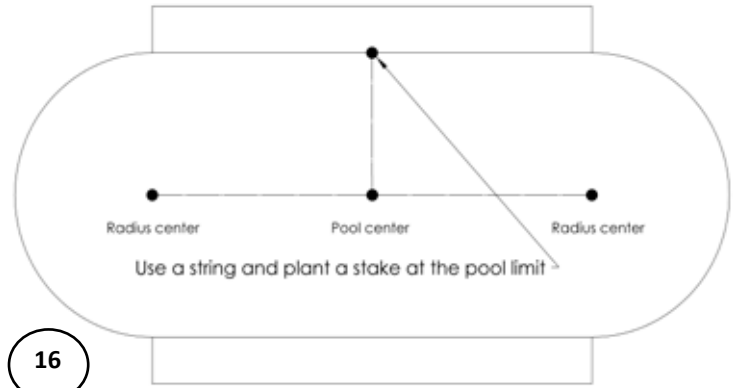
Section 1

GENERAL INSTRUCTIONS - BRACELESS OVAL POOLS GROUND PREPARATION

D. GROUND PREPARATION FOR THE BUTTRESS

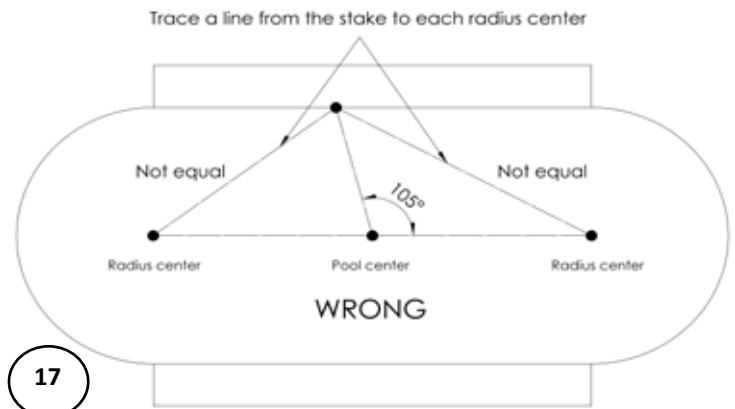
1. Measuring for the buttress trenches

a. In order to measure where trenches need to be dug for the placement of the buttress, you must first draw a perpendicular line in order to create a perfect 90 degree angle. From the pool center, trace a straight line to the oval perimeter. **(Image 16)**



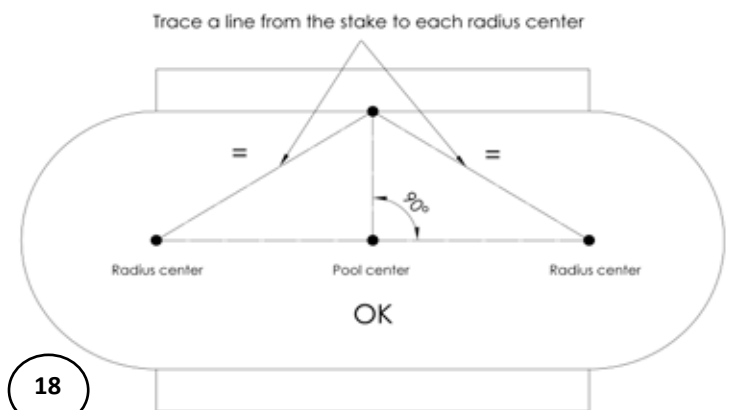
16

b. In order to ensure that your line is perpendicular, measure from each radius center to the top of your line. The measurement should be exactly the same on each side. If not, adjust until both are the same and you will now have a perfect perpendicular line, therefore creating a perfect 90 degree angle. **(Images 17 & 18)**



17

c. Repeat the first two steps to create a perpendicular line in order to create a perfect 90 degree angle for the other side of the oval pool.



18

⚠ Important Note:
It is very important that when you follow the instructions on the next page, that you apply the next steps to only one side of the pool at a time. It is imperative that you follow the next steps in order.

Section 1

GENERAL INSTRUCTIONS - BRACELESS OVAL POOLS GROUND PREPARATION

D. CONT. GROUND PREPARATION FOR THE BUTTRESS

2. Digging the buttress trenches

Odd number of trenches;

- If your oval pool contains an even number of buttresses, please proceed with next step. If your oval pool contains an odd number, position the buttress temporarily on the straight center line from the middle. *(Image 19)*
- Trace around the buttress and dig a trench. Depending on the size of block that you will place underneath, dig the hole so that the buttress and the block will fit. Dig deep enough so that the top of the buttress joint is level with the ground. *(Image 20)*



Important Note:

This first buttress that you install will be the reference to install the remaining buttresses, therefore ensure that measurements and placements are exactly where they need to be.

Even number of trenches;

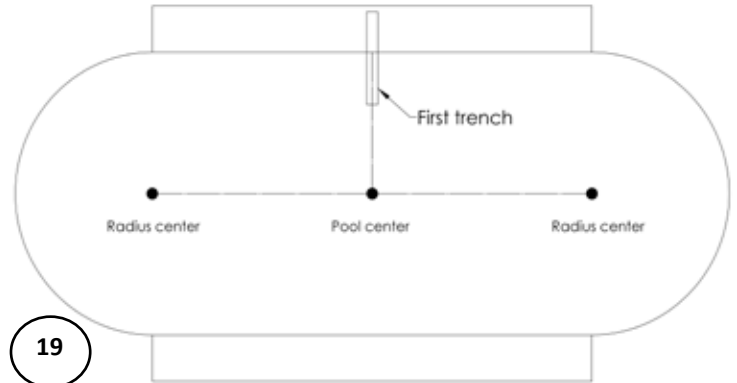
- If your oval pool contains an even number of buttresses, measure from the center line out $22\frac{1}{2}$ ". Position the buttress temporarily off the straight center line from the middle. *(Image 21)*
- Trace around the buttress and dig a trench. Depending on the size of block that you will place underneath, dig a hole so that the buttress and the block will fit. *(Image 20)*



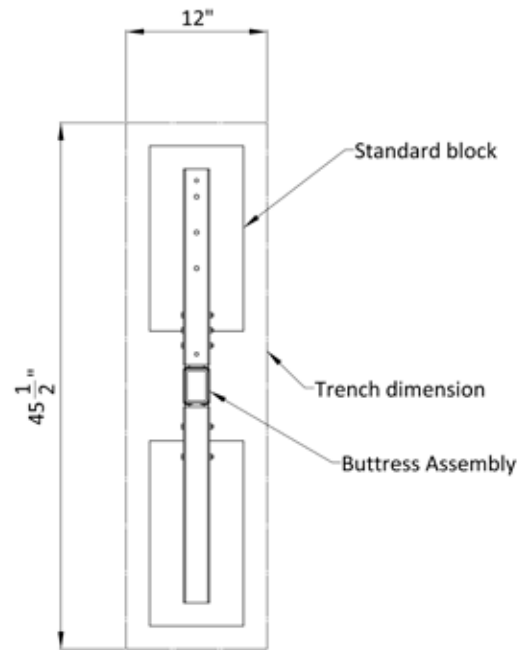
Important Note:

This first buttress that you install will be the reference to install the remaining buttresses, therefore ensure that measurements and placements are exactly where they need to be.

Odd number of sections

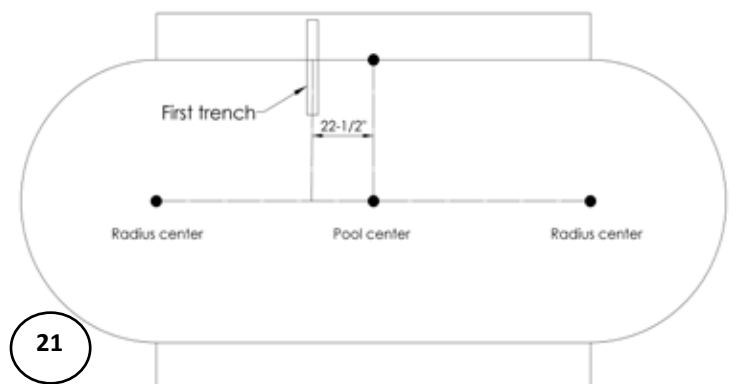


19



20

Even number of sections



21

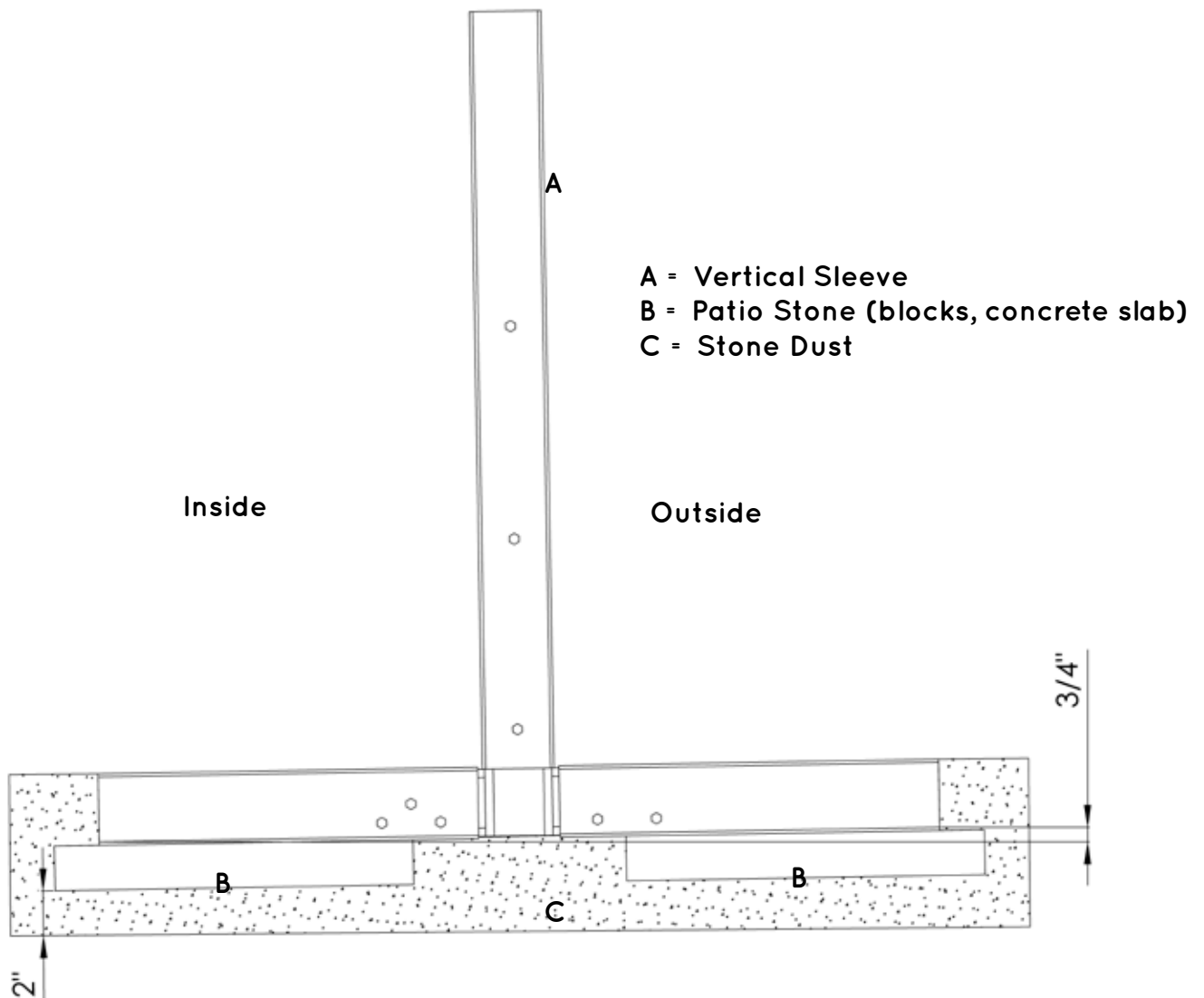
Section
1

GENERAL INSTRUCTIONS - BRACELESS OVAL POOLS GROUND PREPARATION

D. CONT. GROUND PREPARATION FOR THE BUTTRESS

3. Install Patio Stones (Blocks)

- a. Insert and level two concrete slabs or their equivalent, which should measure about 20 cm x 40 cm x 10cm (8" x 16" x 2"), allowing one of the slabs to extend past the inside end of the T.
- b. Add approximately 2cm (3/4") of compacted stone dust under the concrete slab which is at the exterior of the pool to raise the vertical sleeve slightly toward the interior of the pool in order to counterbalance the weight of the water. *(Image 22)*



22

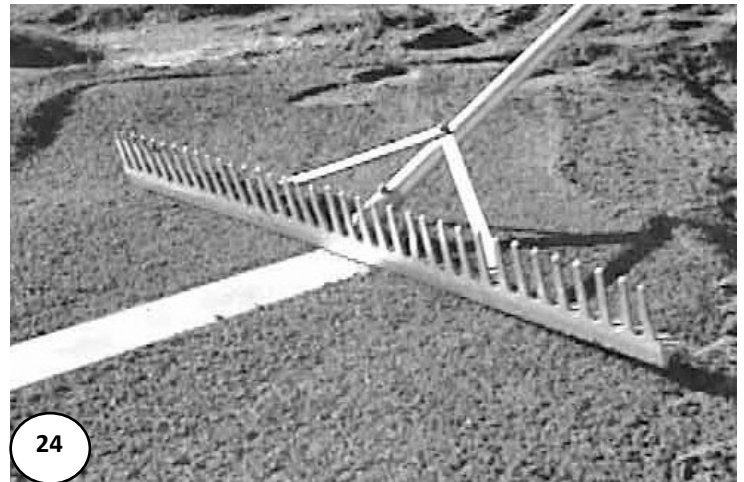
Section 1

GENERAL INSTRUCTIONS - BRACELESS OVAL POOLS GROUND PREPARATION

D. CONT. GROUND PREPARATION FOR THE BUTTRESS

4. Finish trenches & patio stone installation

- a. Continue to finish one by one the remaining trenches with patio blocks for the buttress installation. **It is important to finish one side of the oval only.**
- b. Once all the trenches are dug and buttresses with patio stones are installed, **on the one side only.** Remeasure each buttress to ensure that they are level and not tilting left or right. *(Image 23)*
- d. From the first buttress, check to see that second buttress is 45" from center and continue to ensure that all measurements between each buttress is equal.
- e. *Now add crushed stone around the buttress (do not cover) and be careful not to move the buttress. Take measurements at every upright and then check measurement again. *(Image 24)*

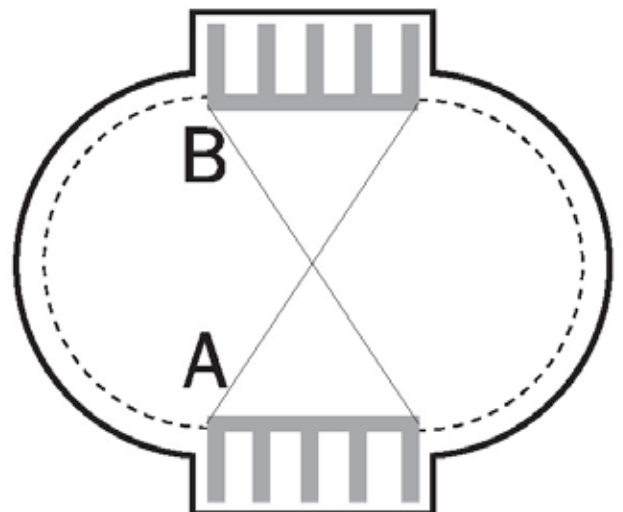


***Important Note when installing second side:**

As soon as you are done installing the second side of the buttresses, measure the two intersecting axes **FIRST** before adding crushed stone.

Ensure that the two straight sections are parallel. If they are not, you **MUST** rectify.

Once all is perfectly parallel, you may add crushed stone and continue with assembling straps and pressure plates on the remaining side.



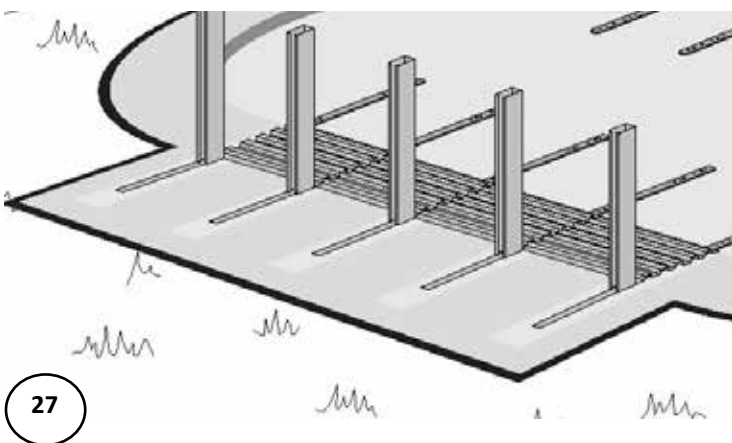
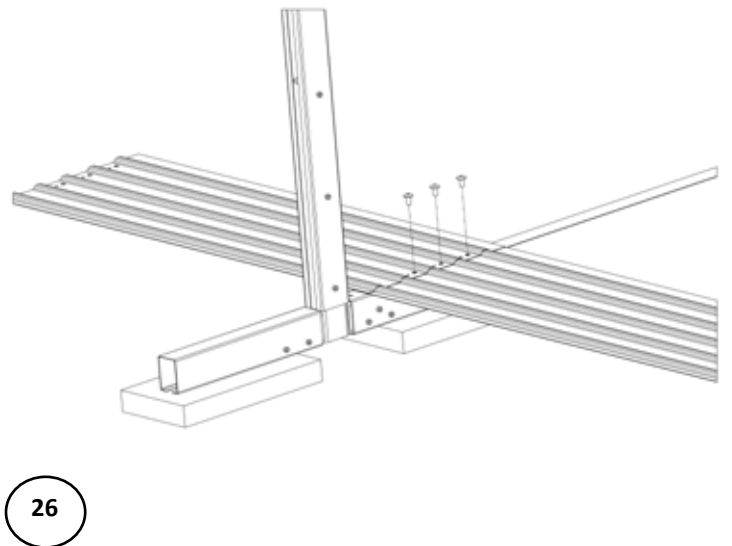
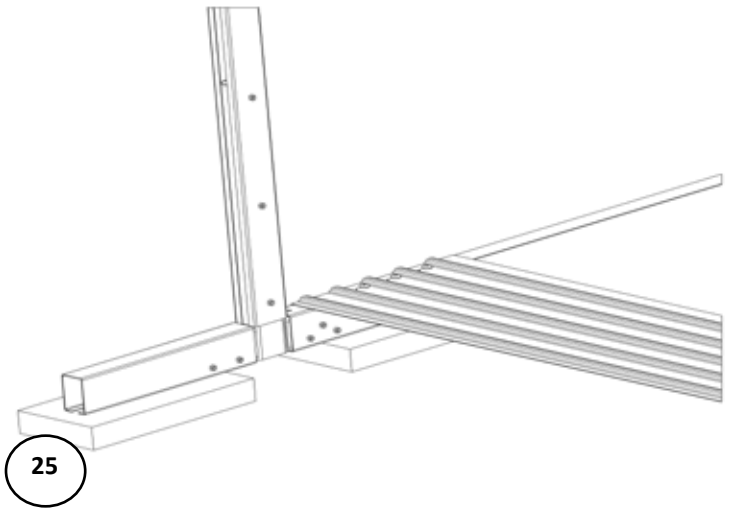
Section 1

GENERAL INSTRUCTIONS - BRACELESS OVAL POOLS GROUND PREPARATION

E. ASSEMBLING THE BUTTRESS STRAPS AND PRESSURE PLATES

1. Assemble the buttress straps and brace

- a. Place a steel strap and a pressure plate on the buttress base, 1.14 m (45") from centre to centre, place only one screw, but do not secure it tightly. This will enable you to align them correctly. **(Image 25)**
- b. When installing the second pressure plate, it will overlap from the first pressure plate. Do not forget to put straps first. **(Image 26)**
- c. Continue to install the remaining steel straps and pressure plates (one the one side only), as described in the previous step. Do spot checks to ensure everything is equal. **(Image 27)**
- d. Once you have finished installing straps and pressures plates on the one side. Ensure that they have all been remeasured and that measurements are perfect and square. Permanently affix the pressure plates to the buttress bases by inserting 2.22cm (7/8") mechanical screws directly into the welded nuts on the horizontal sleeves.
- e. You may now go back to step 2-Digging the buttress trenches, to continue for the remaining side of the oval.



⚠ Important Note:
If the holes do not align, DO NOT drill holes! Verify the alignment of the structures.

Section 1

GENERAL INSTRUCTIONS - BRACELESS OVAL POOLS GROUND PREPARATION

E. ASSEMBLING THE BUTTRESS STRAPS AND PRESSURE PLATES

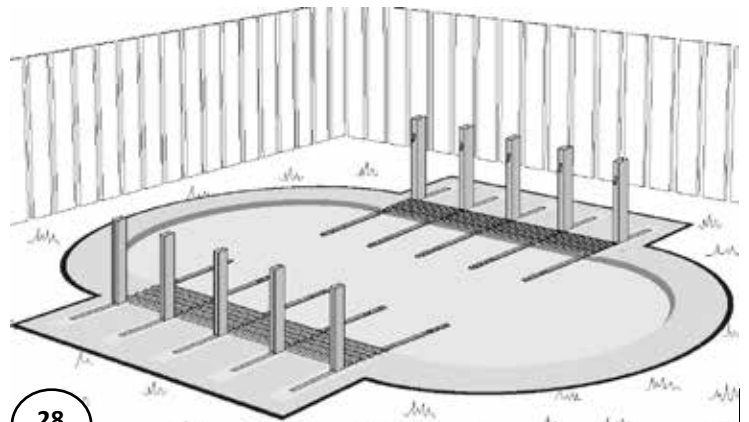
- f. Once both sides of the buttresses have been installed perfectly, check that all is measured again perfectly. **(Image 28)**
- g. Add the remaining straps that join across to other straps. Make sure the screw heads are facing upward. Remeasure and tighten screws. Recheck measurement again. **(Image 29)**

⚠ Important Note:
Ensure that the straps raise higher in the middle, therefore you may need to put a little more stone dust underneath, appx 1/2".

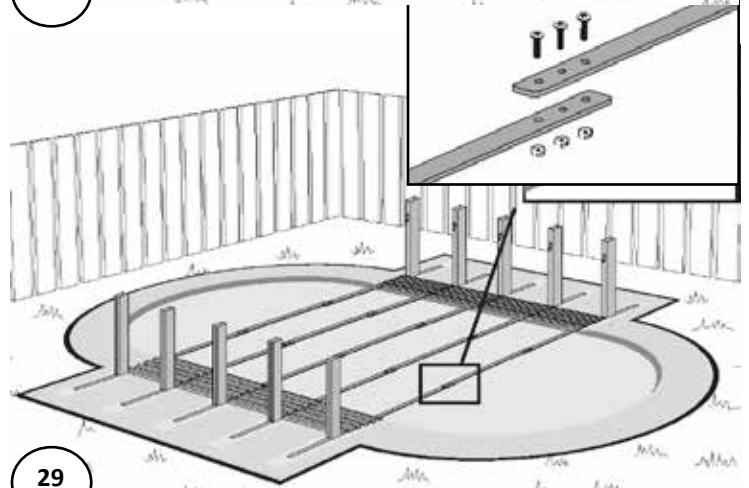
- h. Measure the two intersecting axes to ensure that the two straight sections are parallel. **(Image 30)**

Note:
It may feel tedious to be always measuring, but this only helps to ensure proper installation and avoiding problems further on.

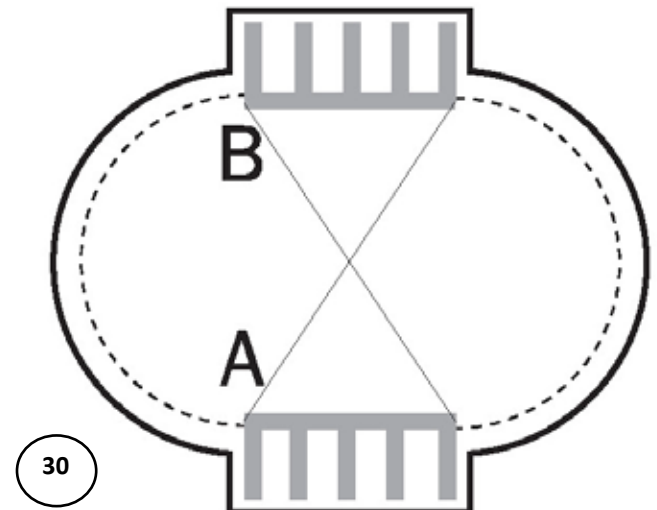
2. Proceed to Section 2 -
Assembling the Pool Base



28



29



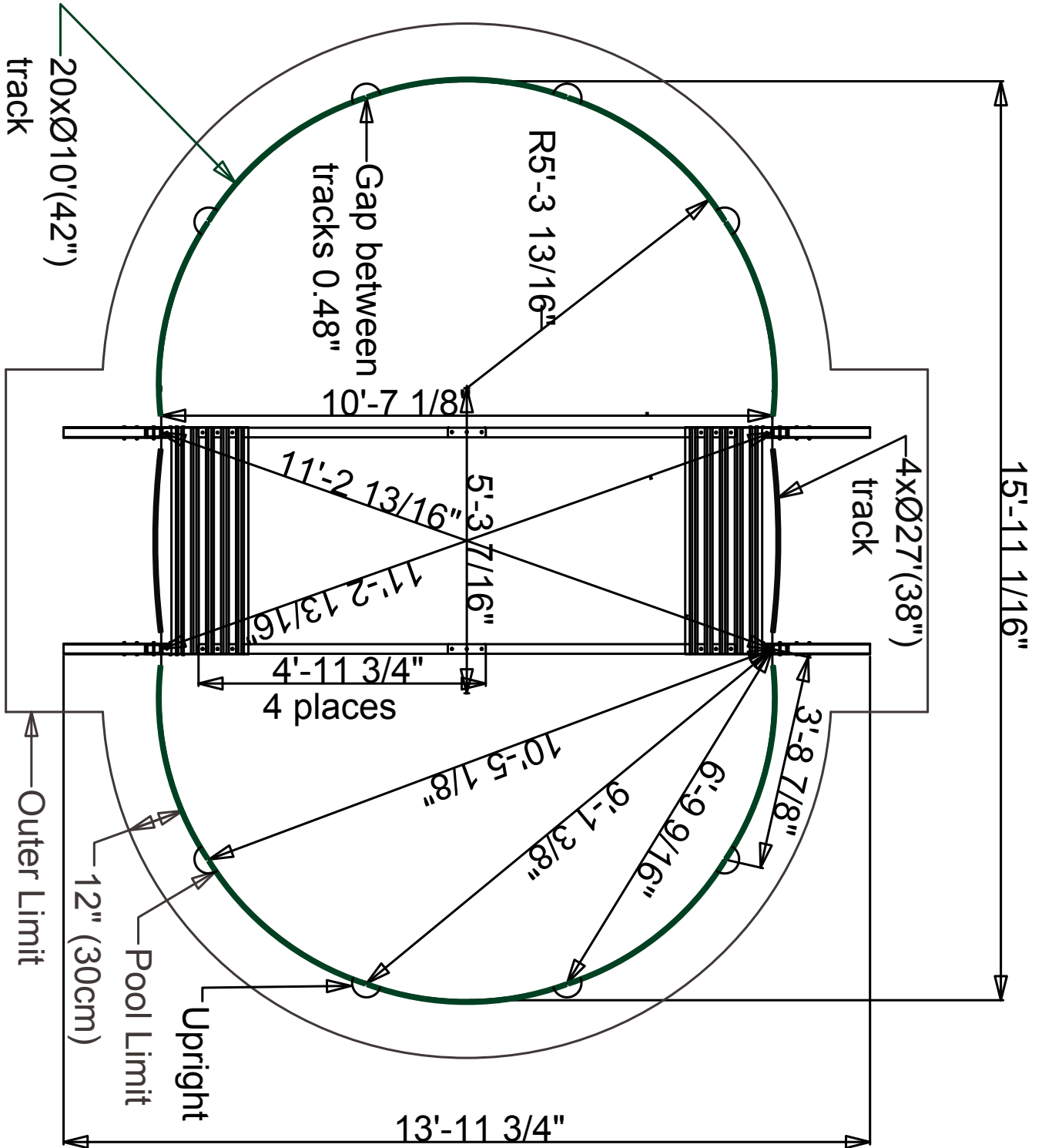
30

Section
1

GENERAL INSTRUCTIONS - BRACELESS OVAL POOLS
GROUND PREPARATION

OVAL FOOTPRINT - 10 x 16 - For PZEN-YE52/54SSPSPSB10/11 & 52/54RSPSPSB10

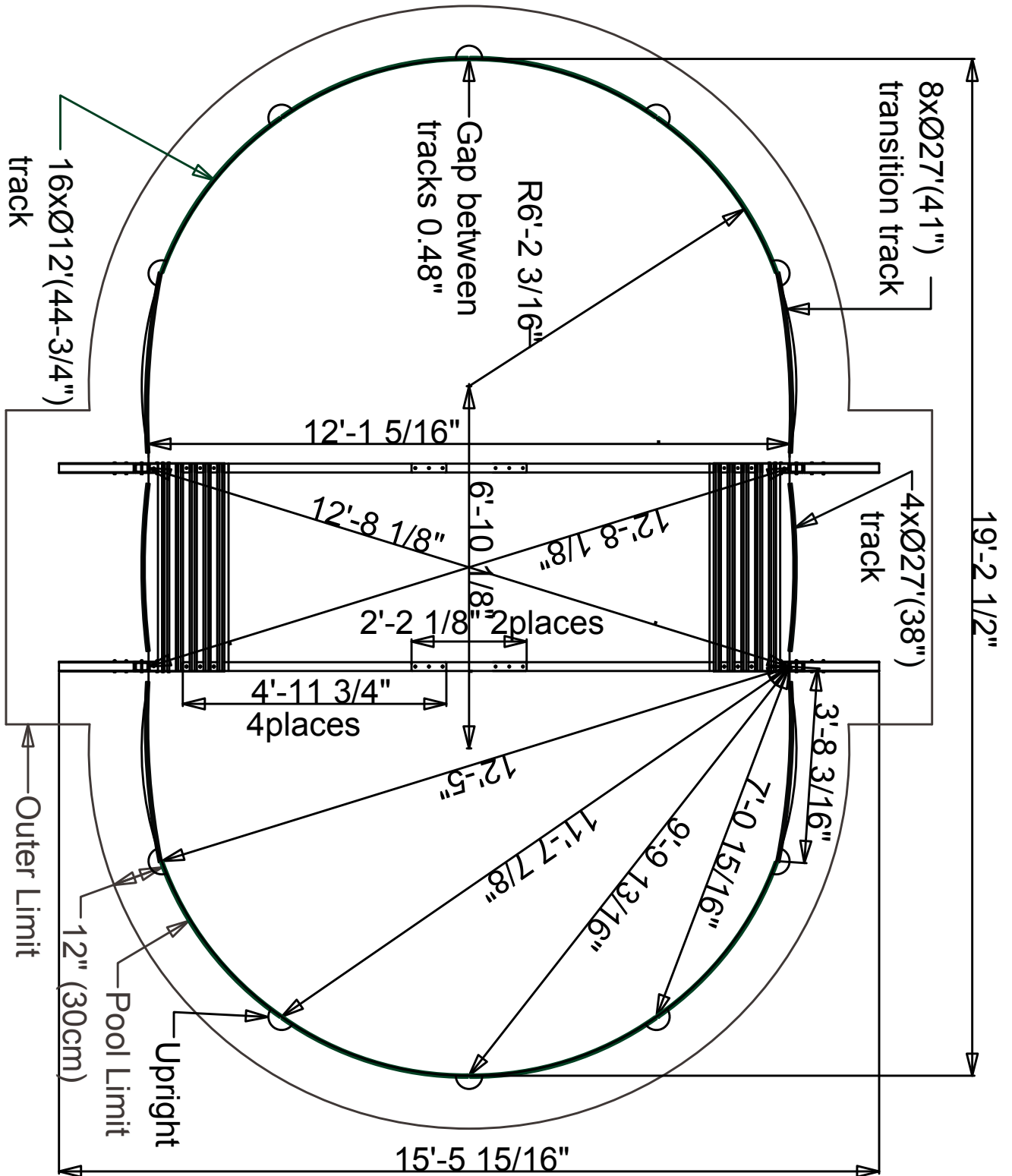
Perimeter 528" (hole to hole) - Track length measured in track slot
-All dimensions are in inches



Section
1

GENERAL INSTRUCTIONS - BRACELESS OVAL POOLS
GROUND PREPARATION

OVAL FOOTPRINT - 12 x 19 - For PZEN-YE52/54SSPSPSB10/11 & 52/54RSPSPSB10

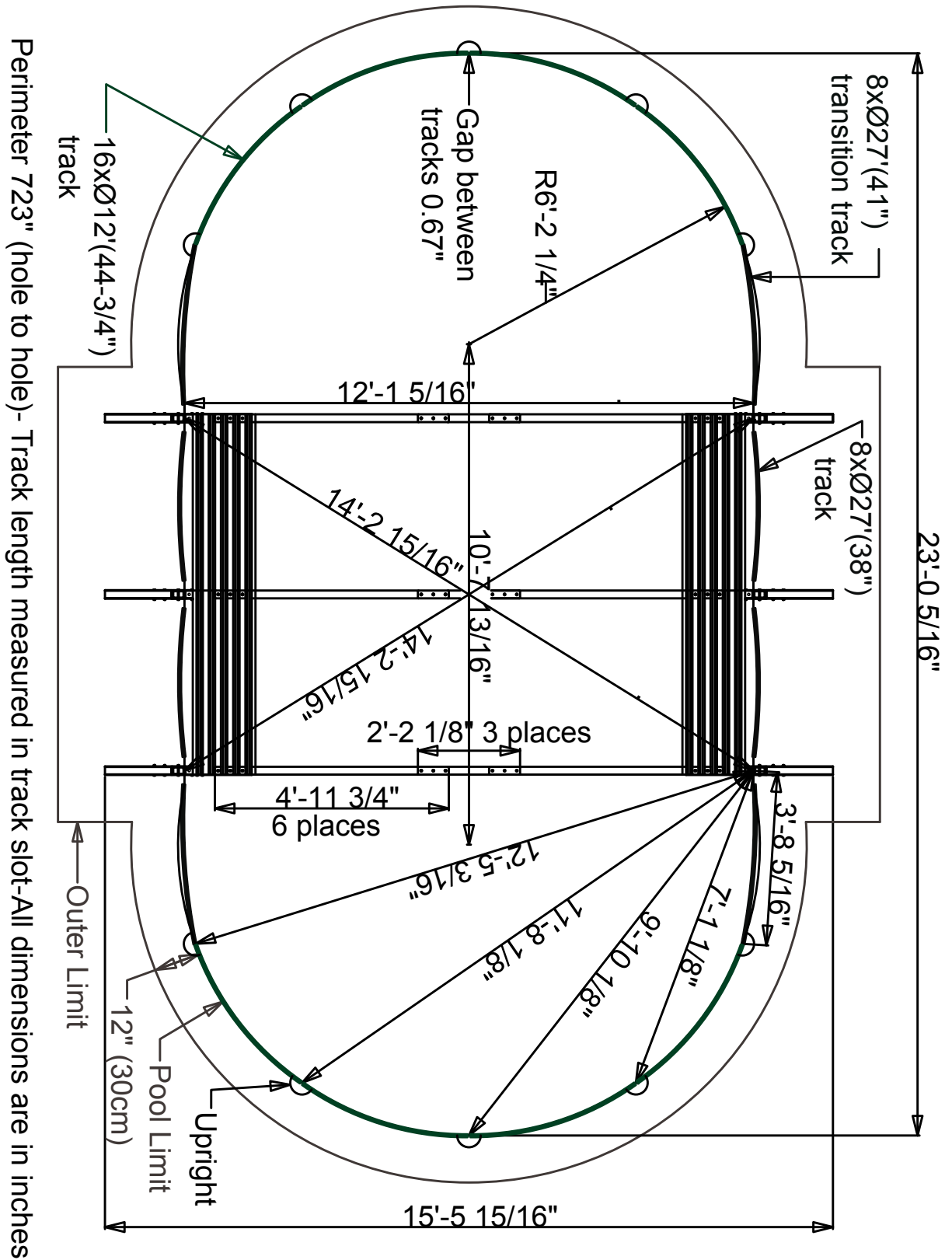


Perimeter 631" (hole to hole)- Track length measured in track slot
-All dimensions are in inches

Section
1

GENERAL INSTRUCTIONS - BRACELESS OVAL POOLS
GROUND PREPARATION

OVAL FOOTPRINT - 12 x 23 - For PZEN-YE52/54SSPSPSB10/11 & 52/54RSPSPSB10

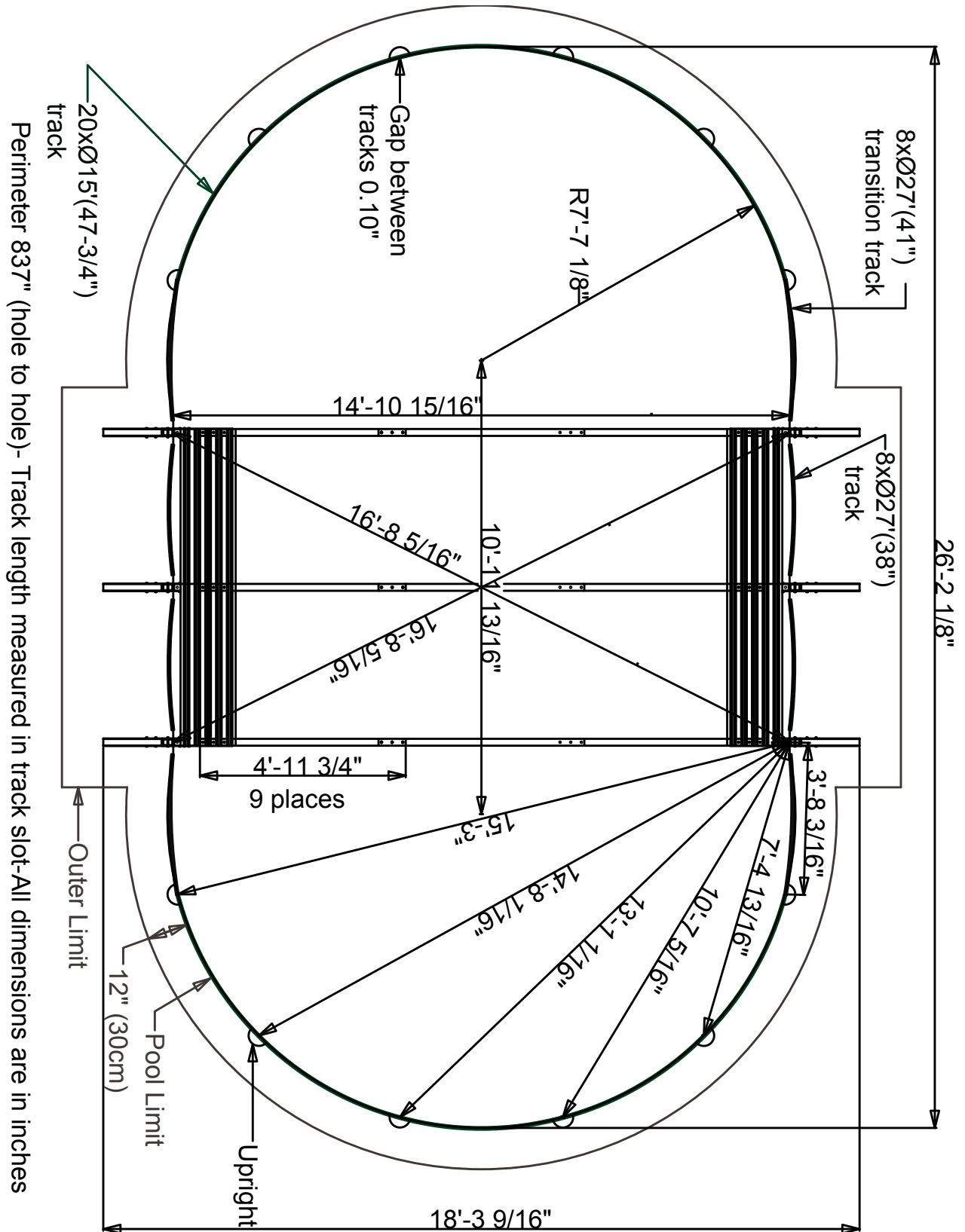


Perimeter 723" (hole to hole) - Track length measured in track slot - All dimensions are in inches

Section
1

GENERAL INSTRUCTIONS - BRACELESS OVAL POOLS
GROUND PREPARATION

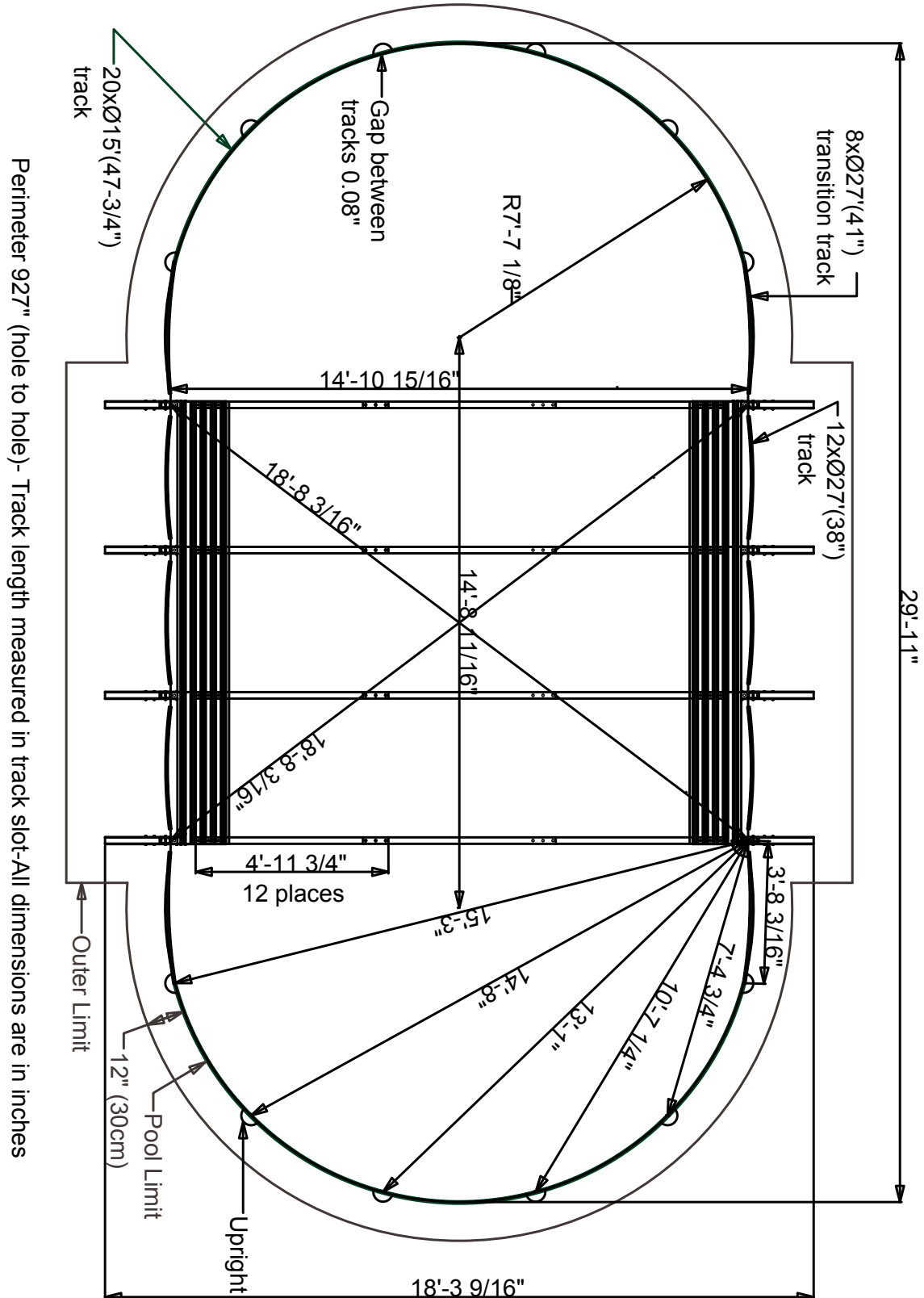
OVAL FOOTPRINT - 15 x 26 - For PZEN-YE52/54SSPSPSB10/11 & 52/54RSPSPSB10



Section
1

GENERAL INSTRUCTIONS - BRACELESS OVAL POOLS
GROUND PREPARATION

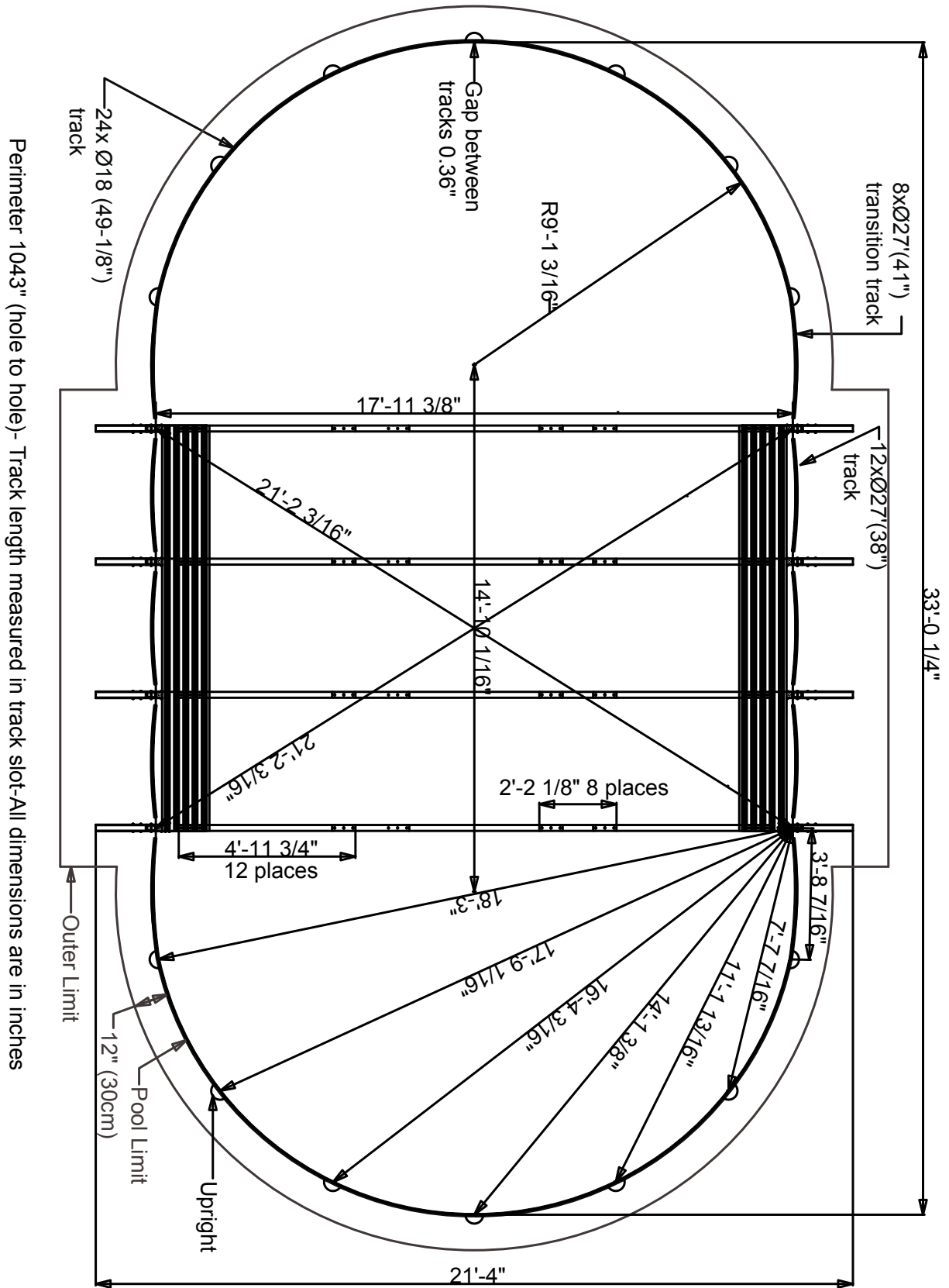
OVAL FOOTPRINT - 15 X 30 - For PZEN-YE52/54SSPSPSB10/11 & 52/54RSPSPSB10



Section
1

GENERAL INSTRUCTIONS - BRACELESS OVAL POOLS
GROUND PREPARATION

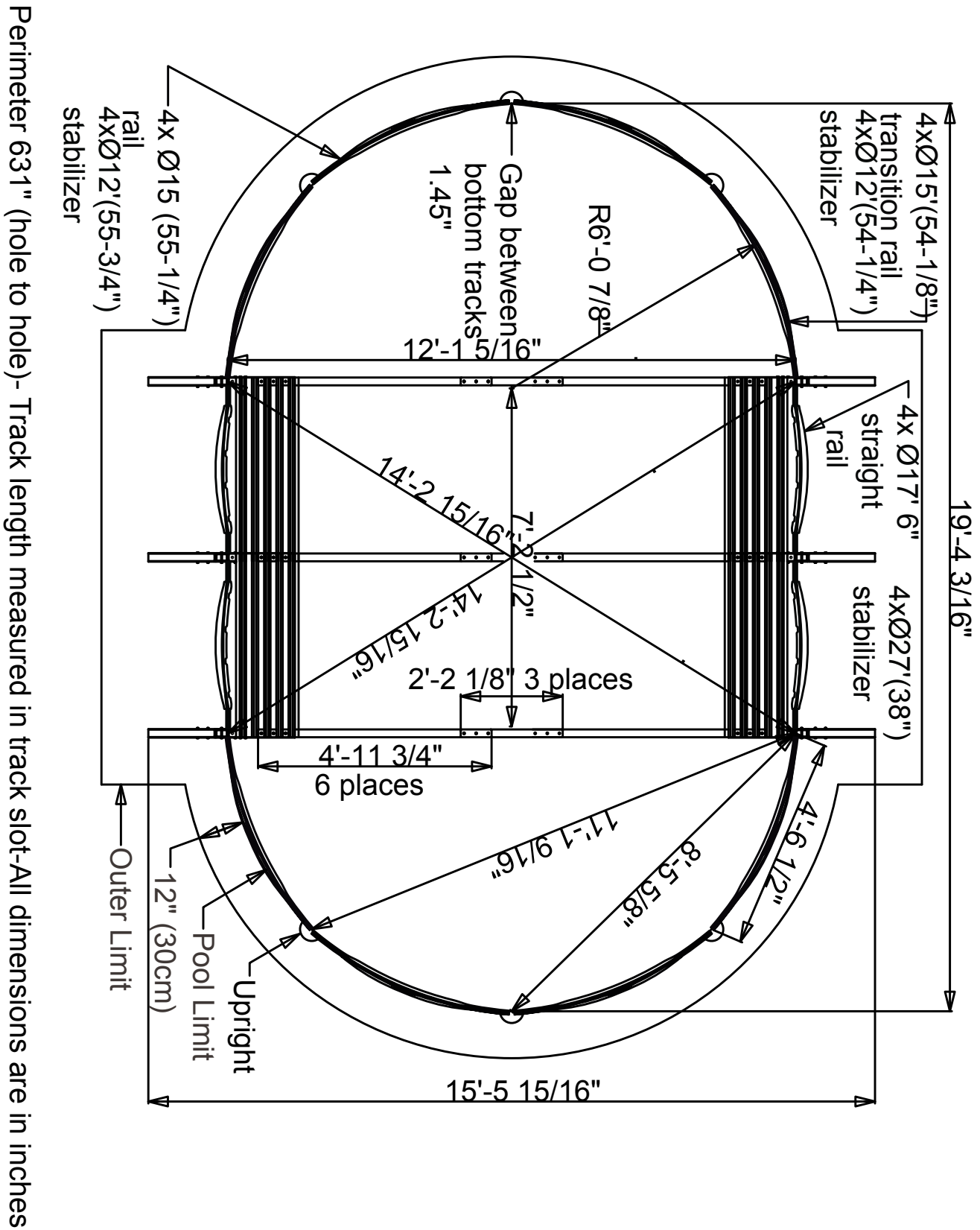
OVAL FOOTPRINT - 18 x 33 - For PZEN-YE52/54SSPSPSB10/11 & 52/54RSPSPSB10



Section
1

GENERAL INSTRUCTIONS - BRACELESS OVAL POOLS
GROUND PREPARATION

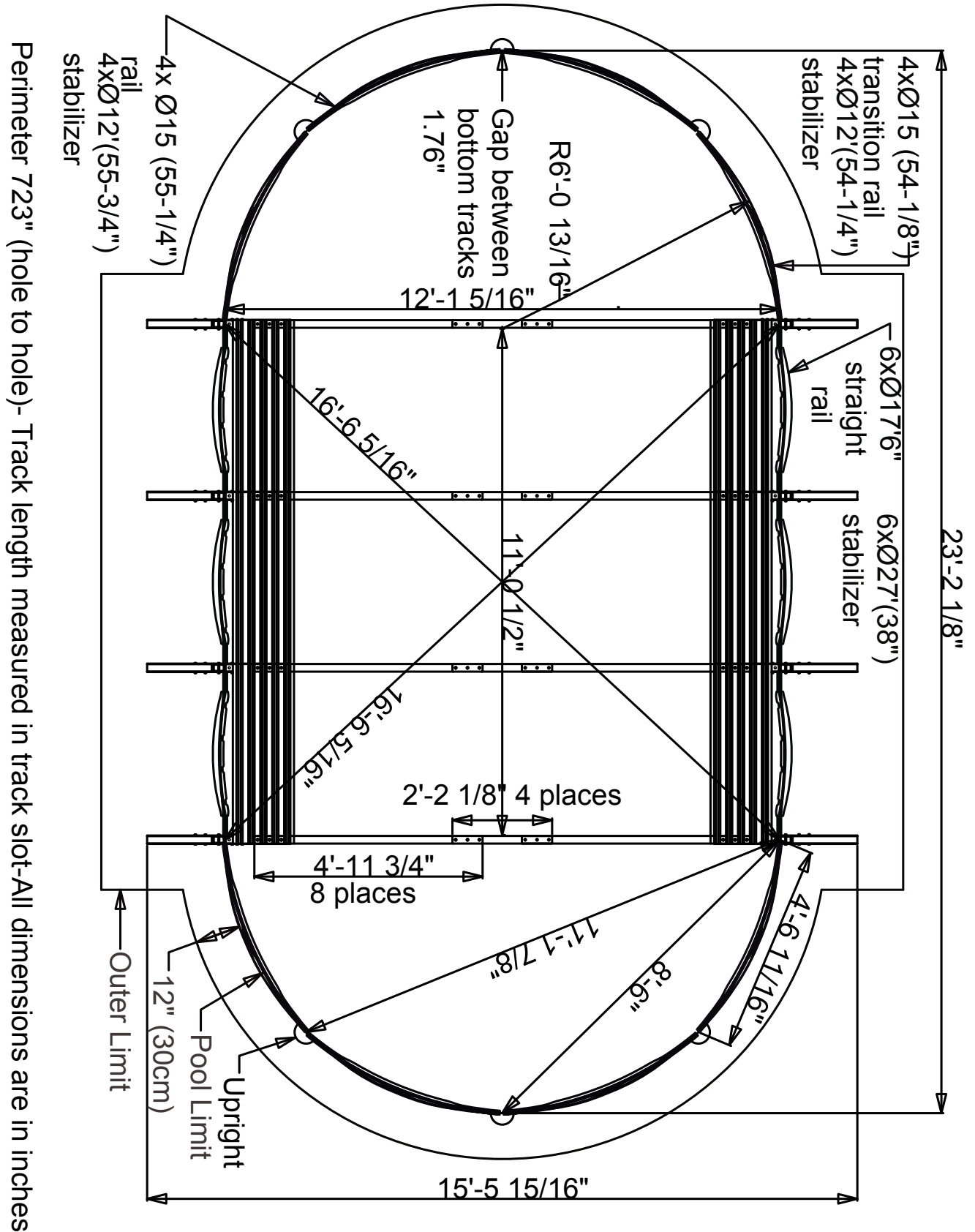
OVAL FOOTPRINT - 12 x 19 - For PZEN-YE54RSRARSB11



Section
1

GENERAL INSTRUCTIONS - BRACELESS OVAL POOLS
GROUND PREPARATION

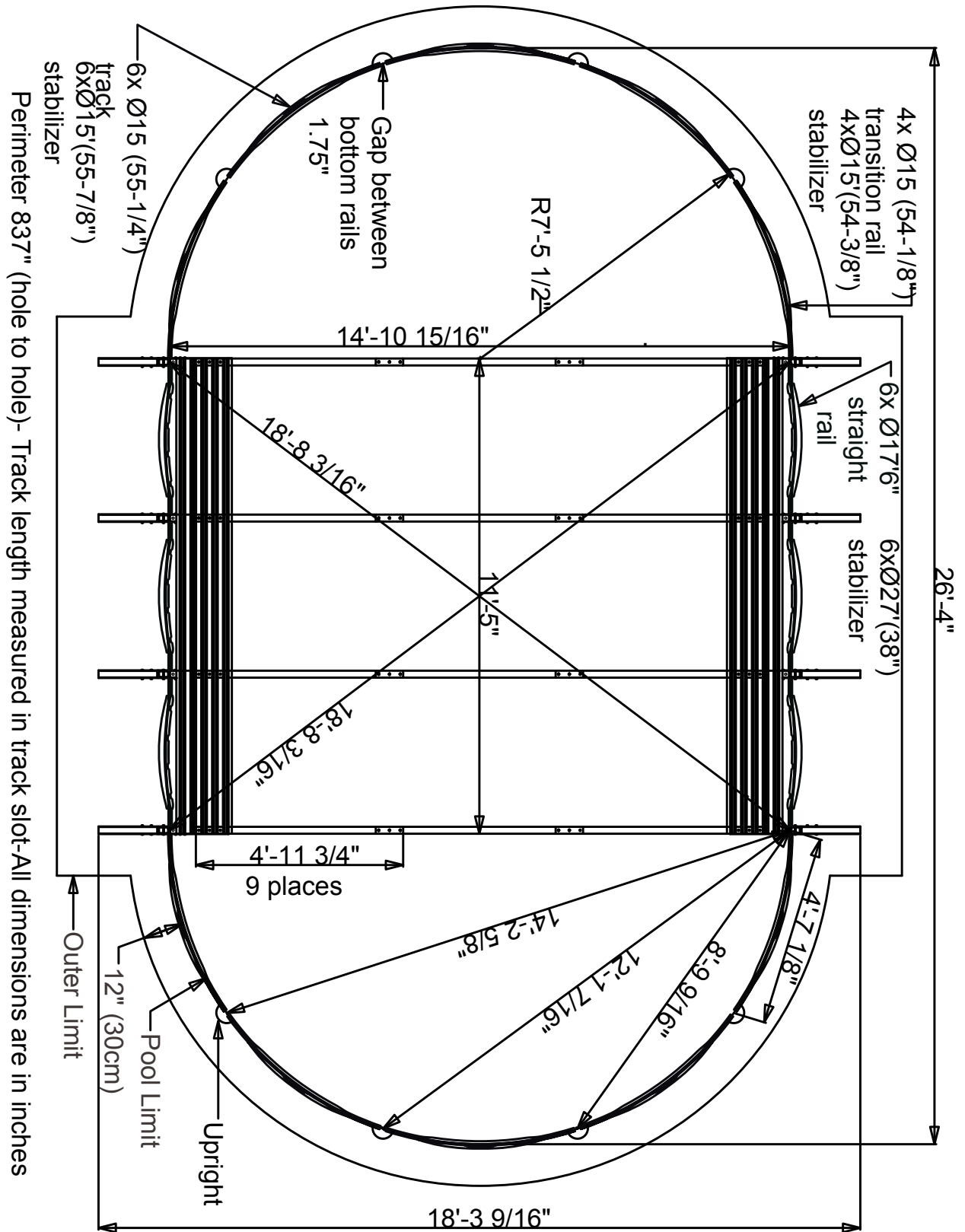
OVAL FOOTPRINT - 12 x 23 - For PZEN-YE54RSRARSB11



Section
1

GENERAL INSTRUCTIONS - BRACELESS OVAL POOLS
GROUND PREPARATION

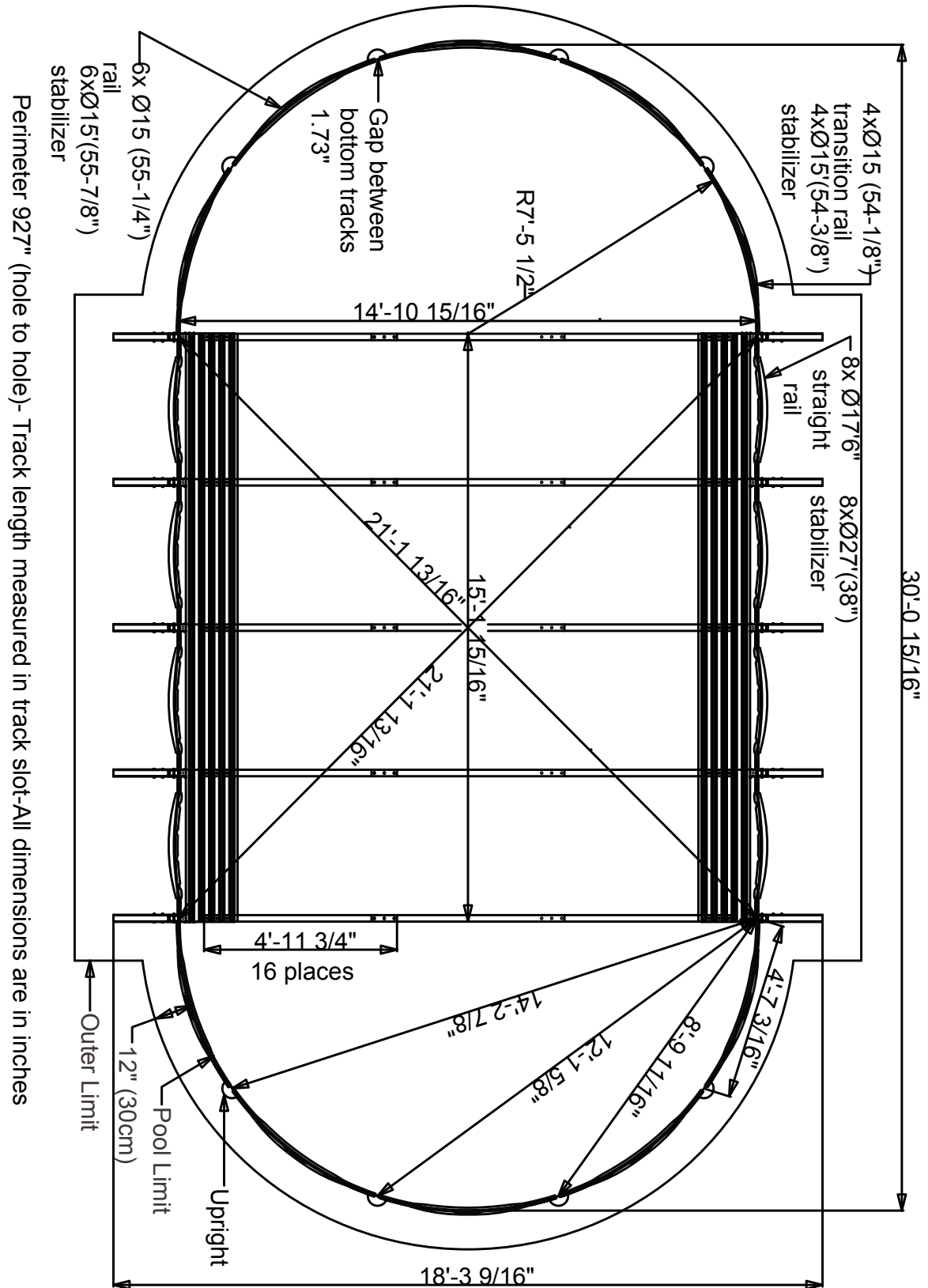
OVAL FOOTPRINT - 15 x 26 - For PZEN-YE54RSRARSB11



Section
1

GENERAL INSTRUCTIONS - BRACELESS OVAL POOLS
GROUND PREPARATION

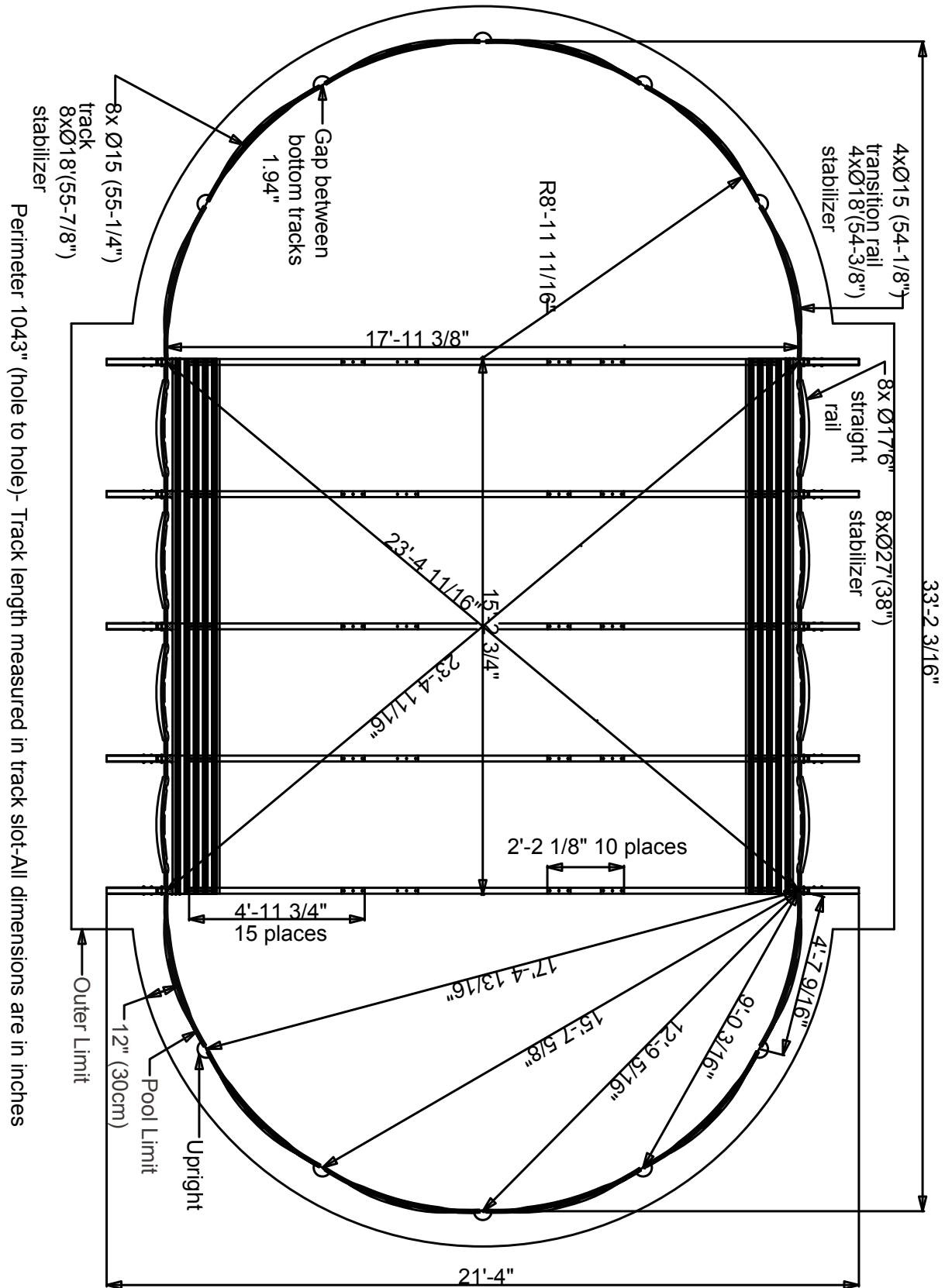
OVAL FOOTPRINT - 15 X 30 - For PZEN-YE54RSRARSB11



Section
1

GENERAL INSTRUCTIONS - BRACELESS OVAL POOLS GROUND PREPARATION

OVAL FOOTPRINT - 18 x 33 - For PZEN-YE54RSRARSB11



Perimeter 1043" (hole to hole) - Track length measured in track slot-All dimensions are in inches

Section 2

GENERAL INSTRUCTIONS - BRACELESS OVAL POOLS ASSEMBLING THE POOL BASE

A. INSTALLATION OF BOTTOM PLATES AND BOTTOM RAILS

1. Bottom plates - STRAIGHT SECTION-STEEL

NOTE: Depending on your pool model you may have steel or resin bottom plates.

- a. **IMPORTANT:** Insert a Junction rail into either side of the bottom rail in the straight section only, before inserting into either side of the bottom plate. (NOTE: Be sure to use the bottom rail that is specific for the straight section) *(Images 1 & 2)*

Important Note:

PLEASE SEE NOTE ON THE NEXT PAGE IN REGARDS TO THE DIFFERENT LENGTHS OF BOTTOM RAILS.

- b. Insert the end of each bottom rail into the bottom plate. Leave a gap between the ends of the bottom rails.
- c. You will need to remove the vertical sleeves in order to proceed with the next step.

See Diagrams:

Please refer to your pool's footprint for gap measurement,





IMPORTANT NOTE

There are three types of bottom rails;

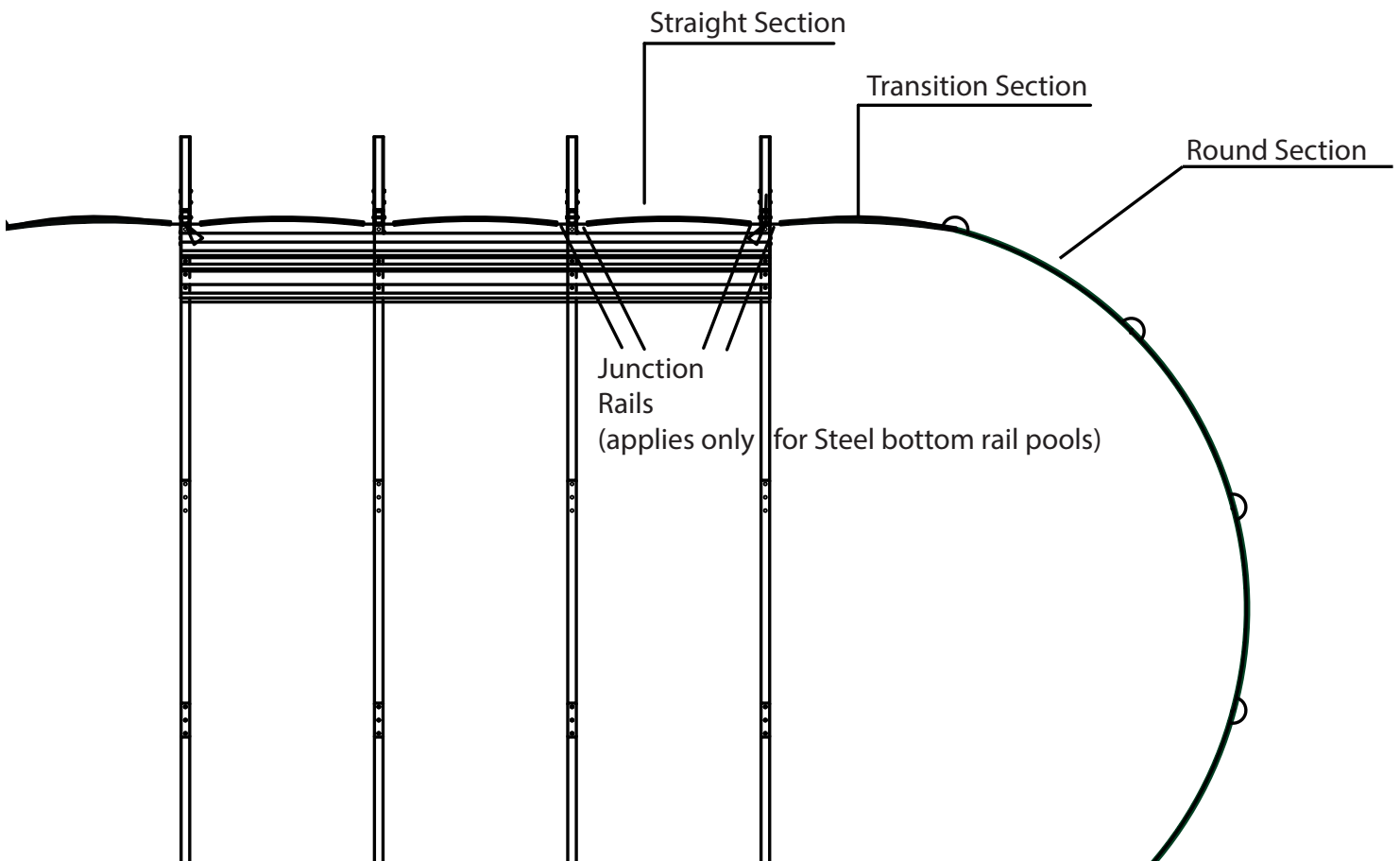
1- Straight Section

2- Round Section

3- Transition (End of the Straight Section).

To differentiate which bottom rail is which;

- The Straight Section will measure the shortest in length
- The Transition Section will measure will measure longer than the straight section, but shorter than the round section.
- The Round Section will be the longest measurement.



Section 2

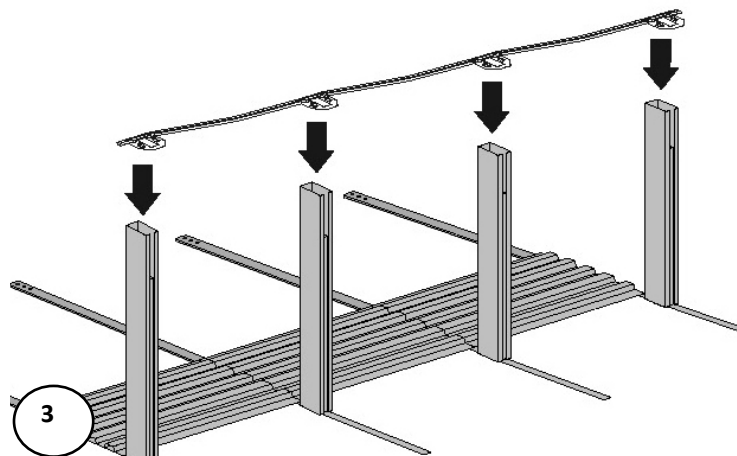
GENERAL INSTRUCTIONS - BRACELESS OVAL POOLS ASSEMBLING THE POOL BASE

A. INSTALLATION OF BOTTOM PLATES AND BOTTOM RAILS

- d. Insert the assembled bottom plate with bottom rail into the vertical uprights. It is preferable to be two persons to accomplish this step. *(Images 3 to 5)*
- e. Replace the vertical sleeve and attach with the 3 screws and nuts.

See Diagrams:

Please refer to your pool's footprint for gap measurement,



Section 2

GENERAL INSTRUCTIONS - BRACELESS OVAL POOLS ASSEMBLING THE POOL BASE

A. CONT. INSTALLATION OF BOTTOM PLATES AND BOTTOM RAILS

1. Bottom plates - STRAIGHT SECTION - RESIN

NOTE: Depending on your pool model you may have steel or resin bottom plates.

- To install the bottom plate in the straight section, you need to remove the central plate of the bottom plate with a hammer or pliers. *(Images 6 & 7)*
- Insert the end of each bottom rail into the bottom plate. Leave a gap between the ends of the bottom rails.

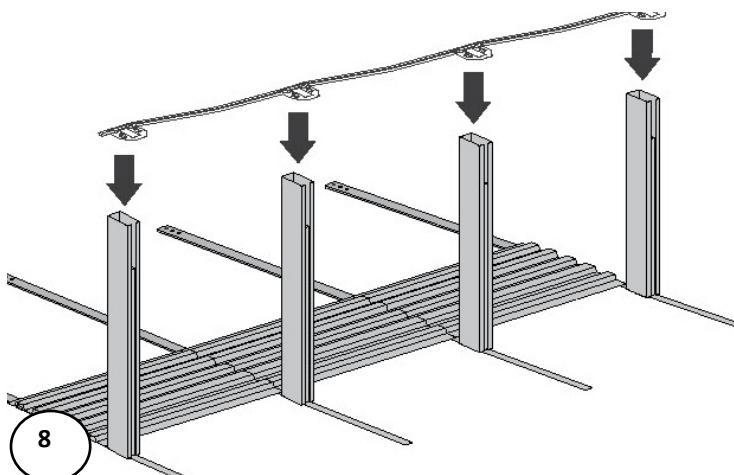
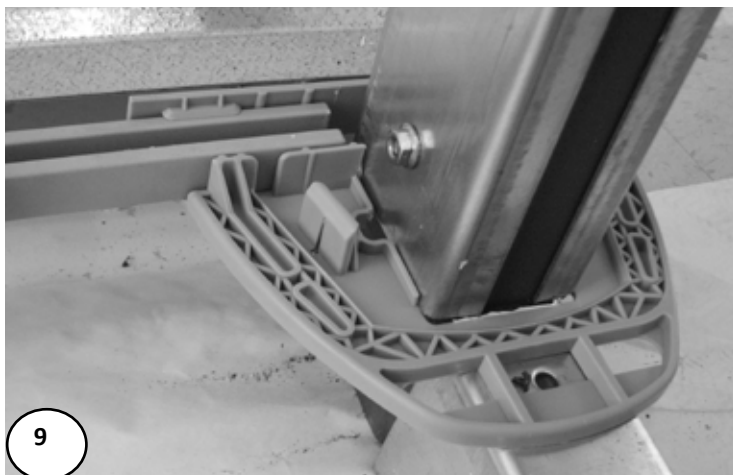
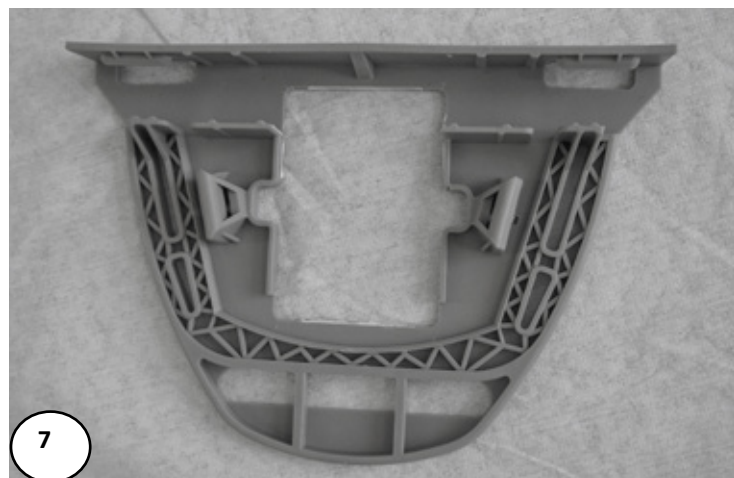
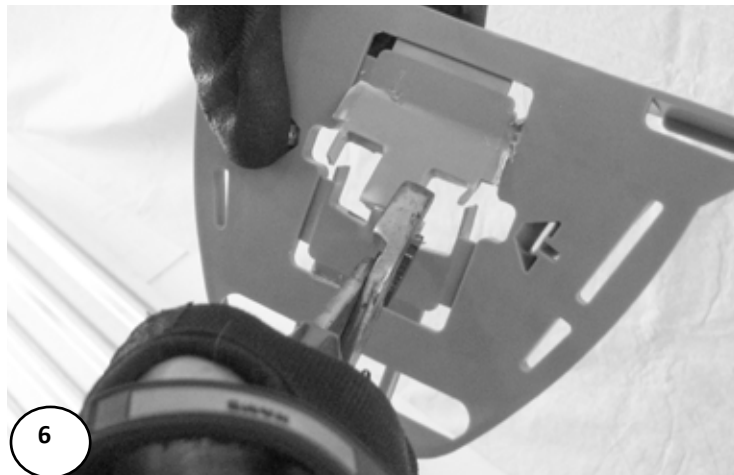
 **Important Note:**

PLEASE SEE NOTE ON THE PREVIOUS PAGE 2-2 IN REGARDS TO THE DIFFERENT LENGTHS OF BOTTOM RAILS.

See Diagrams:

Please refer to your pool's footprint for gap measurement,

- Insert the assembled bottom plate with bottom rail into the vertical sleeves. It is preferable to be two persons to accomplish this step. *(Images 8 & 9)*



Section 2

GENERAL INSTRUCTIONS - BRACELESS OVAL POOLS ASSEMBLING THE POOL BASE

A. CONT. INSTALLATION OF BOTTOM PLATES AND BOTTOM RAILS

2. Bottom plates - ROUND SECTION

NOTE: Depending on your pool model you may have steel or resin bottom rails

- a. Continue the installation of the bottom plates of the round sections. Insert the end of each bottom rail into the bottom plate. Leave a gap between the ends of the bottom rails.

Steel: *Image 10*

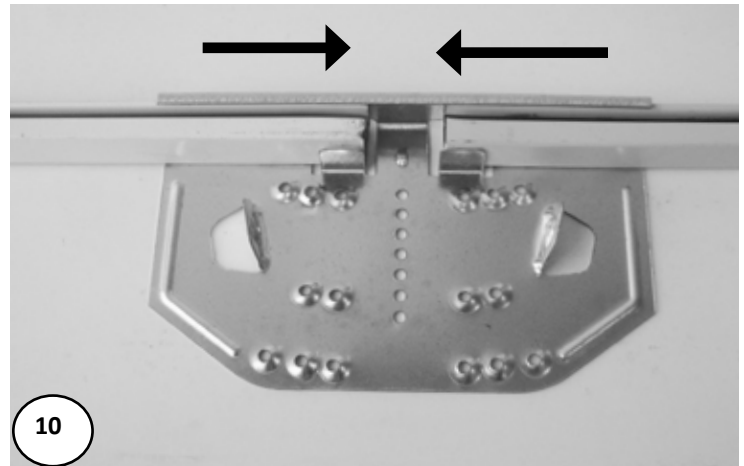
Resin: *Image 11*

See Diagram:
Please refer to your pool's footprint (Section 1, last page) for gap measurement,

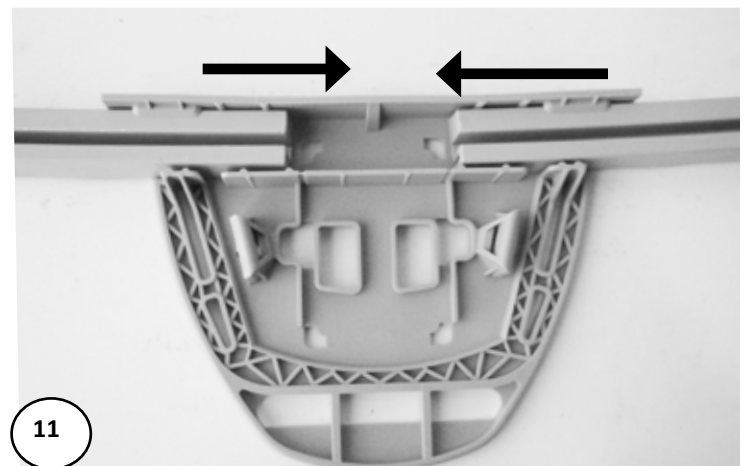
Important Note:

PLEASE SEE NOTE ON THE PREVIOUS PAGE 2-2 IN REGARDS TO THE DIFFERENT LENGTHS OF BOTTOM RAILS.

STEEL



RESIN



Section 2

GENERAL INSTRUCTIONS - BRACELESS OVAL POOLS ASSEMBLING THE POOL BASE

A. CONT. INSTALLATION OF BOTTOM PLATES AND BOTTOM RAILS

3. Patio Stones (Optional)

Contact your Dealer:
Please contact your dealer for more information about using patio stones.

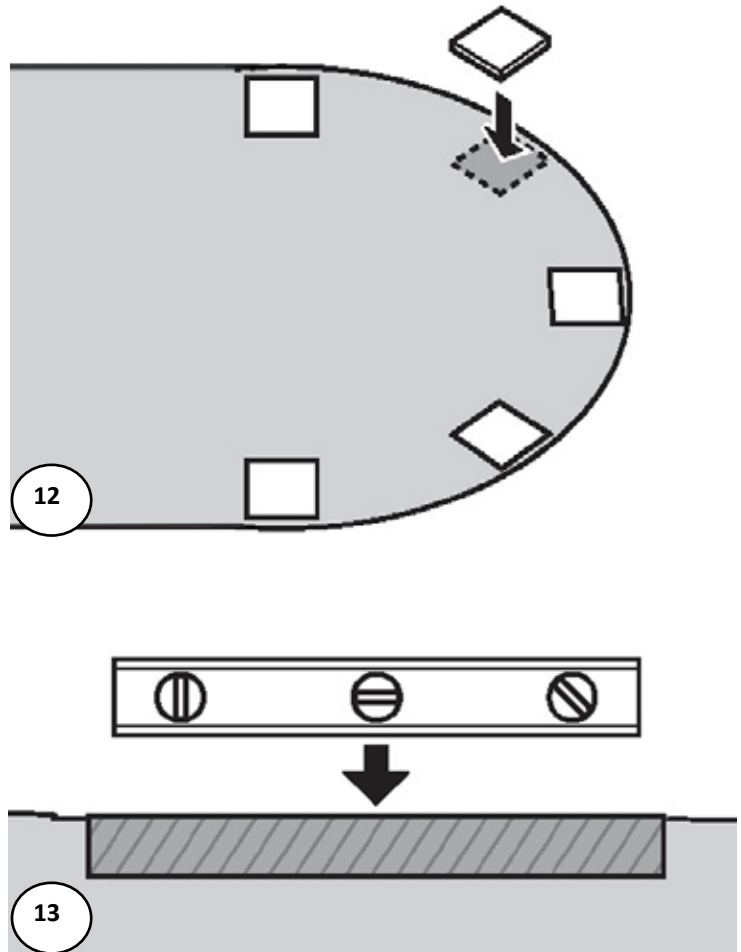
- Concrete patio stones may be placed at the base of each upright of your pool. **(Image 12)**
- Each bottom plate will show the location for a patio stone. Make a mark in the ground at each base plate.
- Remove the bottom rails and bottom plates and lay out the patio stones around the circle where the bottom plates were.
- The patio stones must be sunk into the ground so the tops are flush with the soil around them. **Use the carpenter's level to make sure the patio stones are perfectly level and flush with the ground.** Use either the carpenter's level and a 2-by-4 (5cm x 10cm) wood plank, or the optical level between patio stones to make sure the stones are level with each other. **(Image 13)**
- Do not install blocks or rails on loose sifted soil or sand. There must be no space between the ground and the bottom of the rails. All patio blocks must be flush with the ground, solid and level with each other in all directions.

NOTE: Installing patio blocks is optional and the blocks may shift due to temperature changes.

Contact your Dealer:
Please contact your dealer for more information about using patio stones.

Important Note:

Make sure the patio stones are perfectly level and flush with the ground. All patio blocks must be flush with the ground, solid and level with each other in all directions.



Section 2

GENERAL INSTRUCTIONS - BRACELESS OVAL POOLS ASSEMBLING THE POOL BASE

A. CONT. INSTALLATION OF OF BOTTOM PLATES AND BOTTOM RAILS

4. Measure the perimeter of your pool

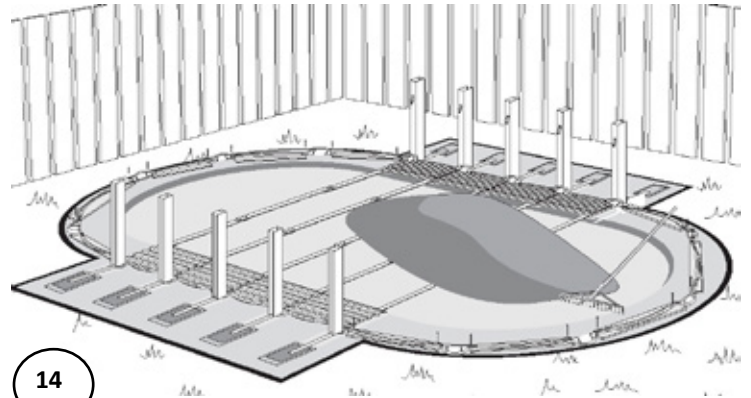
- Measure the perimeter of your pool and hammer nails into the ground to keep the bottom rails into place. These nails are to be removed only at the last step-when filling up the pool.
- Verify the height of each bottom plate with an optical level. Ensure that they are the same height.

Important Note:

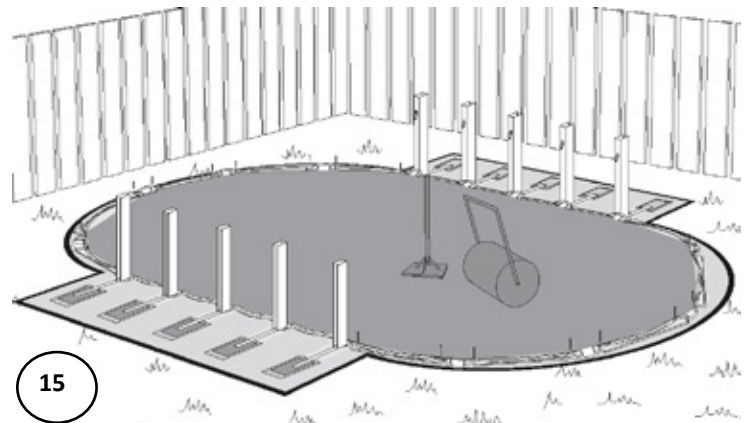
Use a soft measuring tape to measure around the perimeter of the pool. Measure from the inside of the bottom rail, the measurement should equal the wall length.

5. Fill inside the pool area

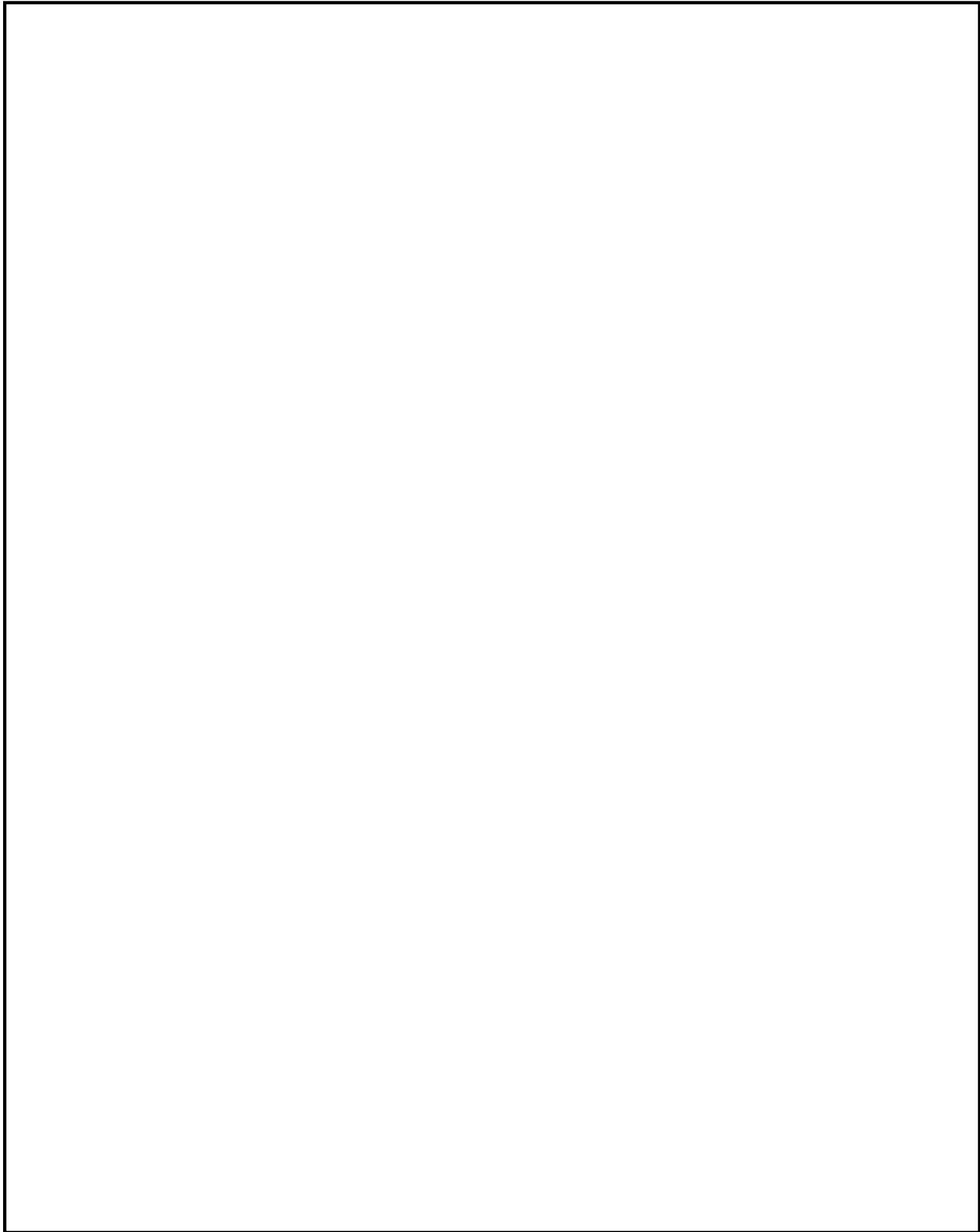
- Pour sifted sand in the centre of your pool. Ensure that you will have enough to spread approximately 2" (2.5cm) around the inside pool area. **(Image 14)**
- Spread the sand inside the pool area. Make sure not to spread the sand onto or beyond the bottom rails. Compact the sand manually or mechanically. **(Image 15)**



14



15



Section 3

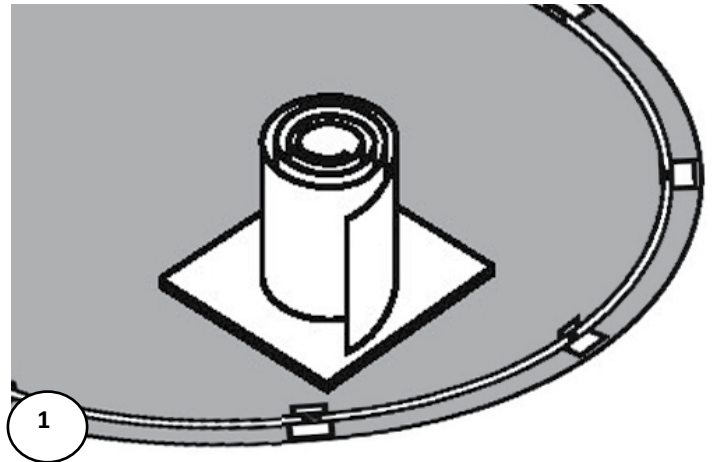
GENERAL INSTRUCTIONS - BRACELESS OVAL POOLS ASSEMBLING THE POOL WALL

A. SETTING UP THE POOL WALL

Do not attempt to install the pool wall in the wind, wait for a calm day.
It takes at least 3 people to install the pool wall.

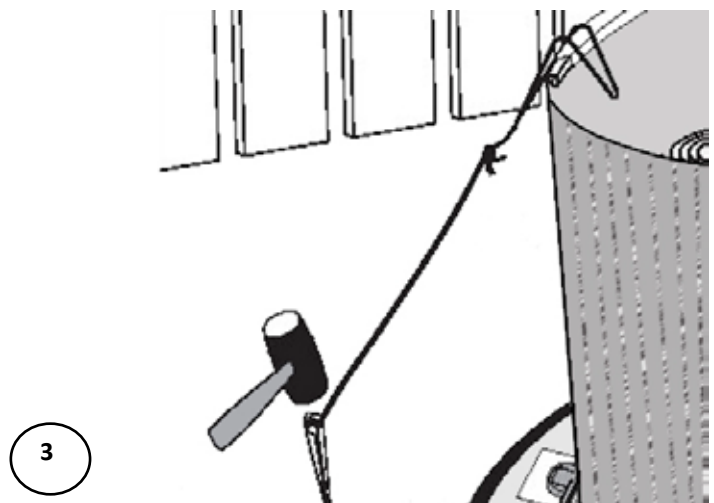
1. Preparing for the wall installation

- Bring the following items into the middle of the pool foundation before you start uncoiling the pool wall: plywood, some extra sand or fine dirt to make the cove and a ladder to climb out after the wall is assembled.
- Make sure the skimmer and water return holes are located where you need them to be. The skimmer and water return holes are positioned towards the end of the wall, **(the section before where the wall started)**.



2. Set the pool wall in place.

- Unpackage the coiled pool wall and stand it on the plywood at the place close to where you need to install the skimmer. **(Image 1)**
(Remember the skimmer and water return holes will be placed at the section just before where you started the wall installation).
- Start uncoiling the wall, guiding the bottom edge into the curved bottom rail. The starting end of the wall must be positioned in the centre of a bottom plate, and the skimmer and return holes should be positioned where the pump and filter will be. **(Image 2)**
- As you erect the wall, install the stabilizers temporarily to obtain greater stability. You should also use heavy vinyl-covered hooks and rope to hold the wall steady. Ideally, however, you should work with several people. **(Image 3)**
- When uncoiling the wall, the skimmer and return holes are positioned toward the end of the wall.



Important Note:

It is preferable to use very fine sand that is easily compacted. Be careful not to spill sand on the bottom rails.

Section 3

GENERAL INSTRUCTIONS - BRACELESS OVAL POOLS ASSEMBLING THE POOL WALL

A. CONT. SETTING UP THE POOL WALL

3. Join the ends of the pool wall

- a. Line up the holes in the two ends of the pool wall.
(Image 4)
- b. Now that you have installed the wall you can be faced with three scenarios.
 - 1) The wall joints align perfectly, if so, move on to the next step (c).
 - 2) Your wall appears to be too short. **It is not.** However the space between the bottom rails must be decreased by lightly tapping the bottom plates towards the inside of the pool. You can also tap the wall lightly with both hands in the desired direction.
(Image 5)
 - 3) Your wall appears too long. **It is not.** However the space between the bottom rails must be increased by tapping the bottom plates lightly towards the outside of the pool or by tapping the wall with both hands in the desired direction.
(Image 6)

You MUST recheck the gaps at each and every one of the bottom rails so that they are all equal in gap size.

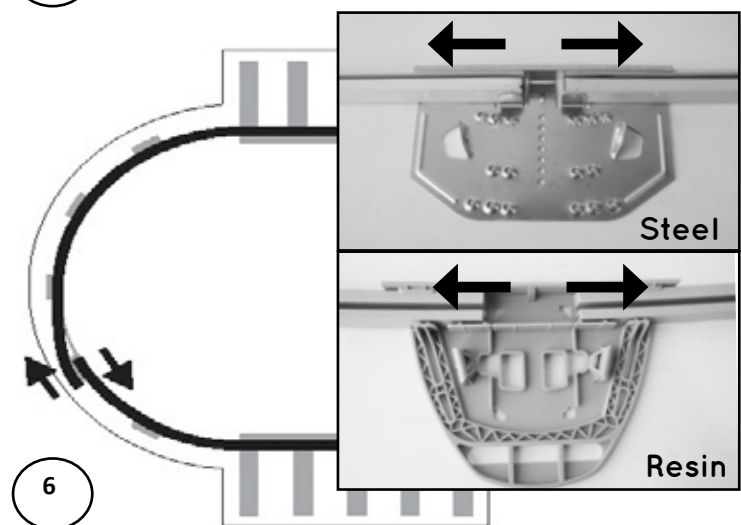
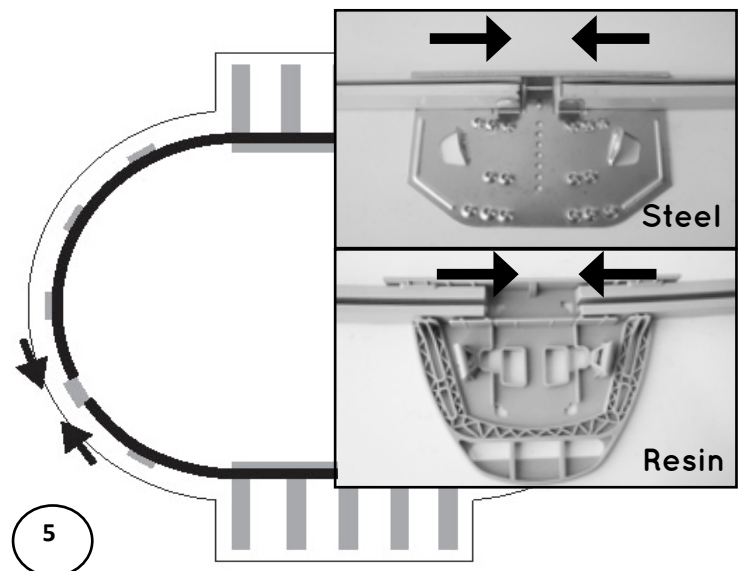
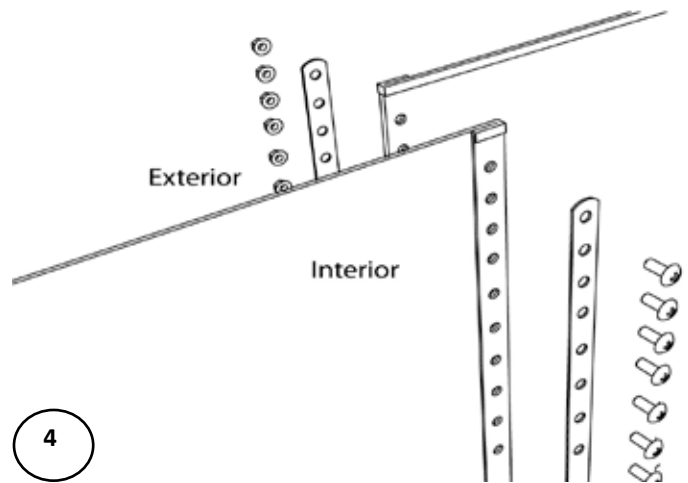
You MUST recheck the gaps at each and every one of the bottom rails so that they are all equal in gap size.

You MUST recheck the gaps at each and every one of the bottom rails so that they are all equal in gap size.

Important Note:
Bottom rails must always be held in place in the bottom plate.

Important Note:
You MUST recheck the gaps at each and every one of the bottom rails so that they are all equal in gap size.

- c. Recheck the position of the upright, refer to your pool's footprint diagram.



Section 3

GENERAL INSTRUCTIONS - BRACELESS OVAL POOLS ASSEMBLING THE POOL WALL

A. CONT. SETTING UP THE POOL WALL

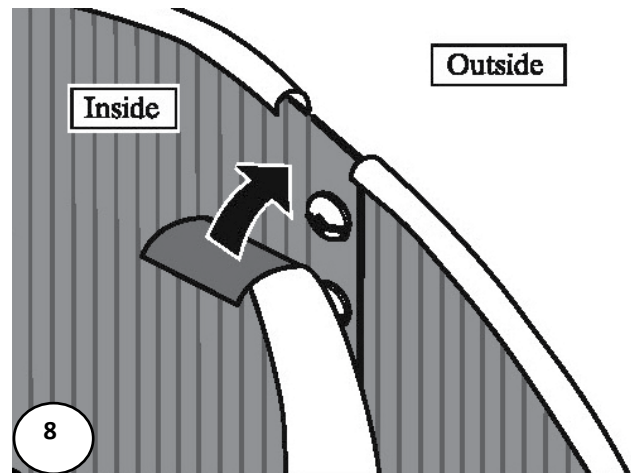
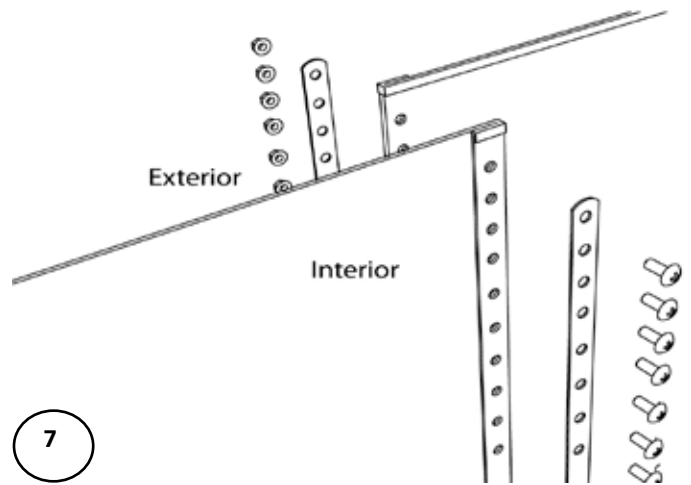
- d. To fasten the wall joint, overlap the two steel bars, one on the inside and the other on the outside. Tighten the mechanical screws on the inside and the nuts on the outside. Ensure that all bolts and all the holes are used. **(Image 7)**

⚠ Important Note:
Stick a screwdriver through two of the holes to help line up the ends of the wall.

When tightening the screws start from either the top and go down or vice versa. Do not start a few screws from top and a few from the bottom to meet in the middle, this can cause problems later on.

- e. Adjusting the pool to the proper shape may cause the bottom rails and bottom plates to slip out of alignment a little. Recheck all of the bottom plates to make sure each one is centred where the bottom rails meet.
- f. Cover the seam and bolt heads on the inside/interior of the pool wall completely with 2" (50mm) duct tape. **(Image 8)**

⚠ Important Note:
The pool must be level across the perimeter. A pool that is not level is dangerous and may collapse.



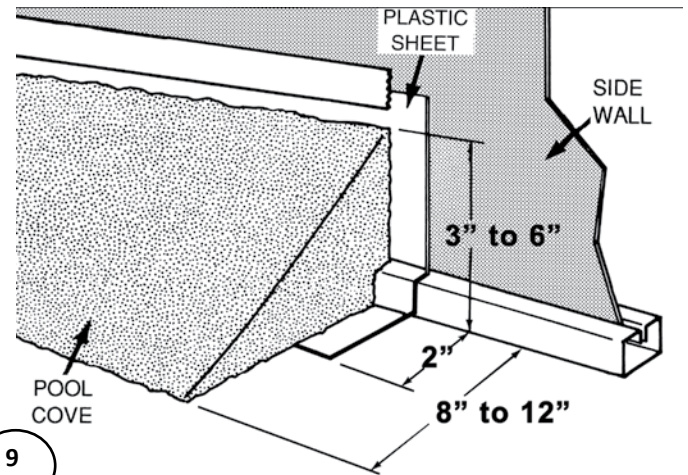
Section 3

GENERAL INSTRUCTIONS - BRACELESS OVAL POOLS ASSEMBLING THE POOL WALL

B. ASSEMBLING THE COVE

1. Make the cove

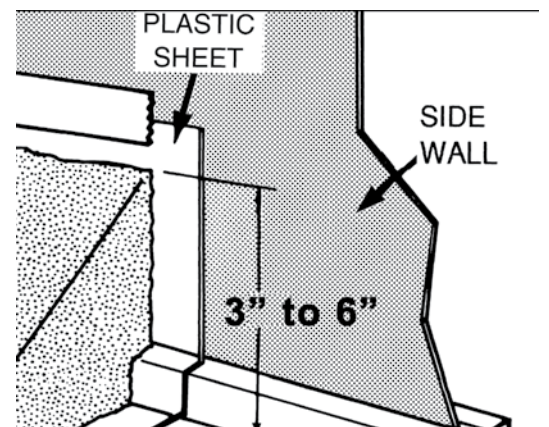
- a. If you are using sand, bank the sand against the wall to form a cove of 3" to 6" (7.5cm to 15cm) high and 8" to 12" (20cm to 30cm) wide at ground level. This will prevent the liner from creeping under the wall, and it will also protect the liner from any metal edges of the pool framework. **THIS STEP IS NOT OPTIONAL, IT MUST BE DONE.** (Image 9)
- b. Water the sand to compact it and use a trowel to spread it evenly. (Image 10)
- c. Since earth containing chemicals can cause discoloration or corrosion, it is suggested that you place **polyethylene plastic sheeting** under the cove around the perimeter of the wall, so no earth comes in contact with the metal. Since the presence of such chemicals is beyond the control of the manufacturer, such damage is not covered under warranty. (Image 11)
- d. If you are using styrofoam cove pieces instead of sand, insert them in the bottom rail and refer to the installation instructions that are provided with them.



9



10



11



Important Note:

The cove is an important part of the pool structure. Take your time to make a complete, full-size cove.

Section 3

GENERAL INSTRUCTIONS - BRACELESS OVAL POOLS ASSEMBLING THE POOL WALL

B. CONT. ASSEMBLING THE COVE

- e. A vacuum cleaner can later be used to remove the air from between the liner and the wall. This technique enables you to remove folds in the liner.

(Image 12)

However the following precautions should be taken:

Do not use an industrial vacuum cleaner which could be too powerful.

Tape the end of the vacuum hose before inserting it into the wall so as not to damage the liner.

Insert the nozzle until it is about 4" (10cm) above the cove (insert through the water return outlet or the skimmer depending on the diameter of your hose). Make sure you will be able to remove the hose later on.

Tape the hose to the wall.

- f. Close the skimmer opening with cardboard and adhesive tape so that the suction of air works better. **(Image 13)**



12



13

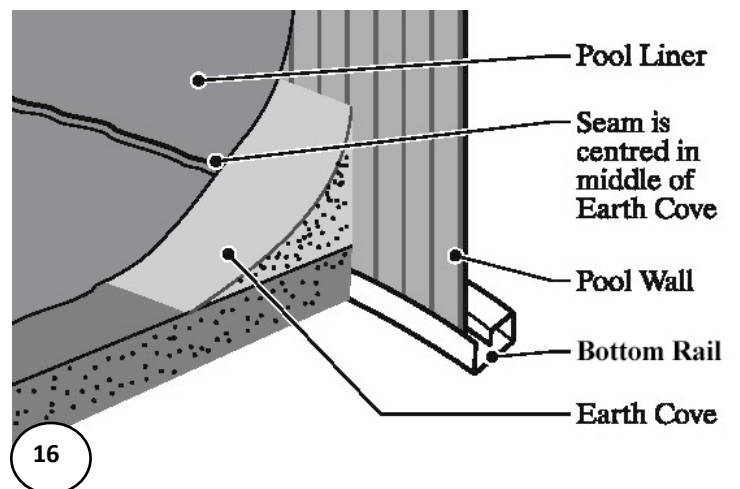
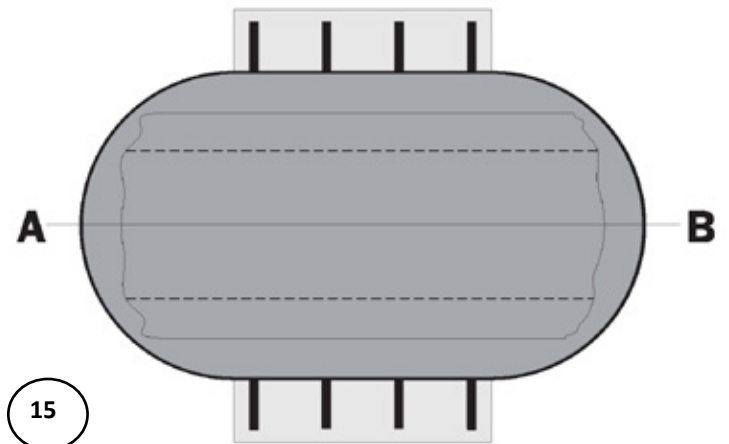
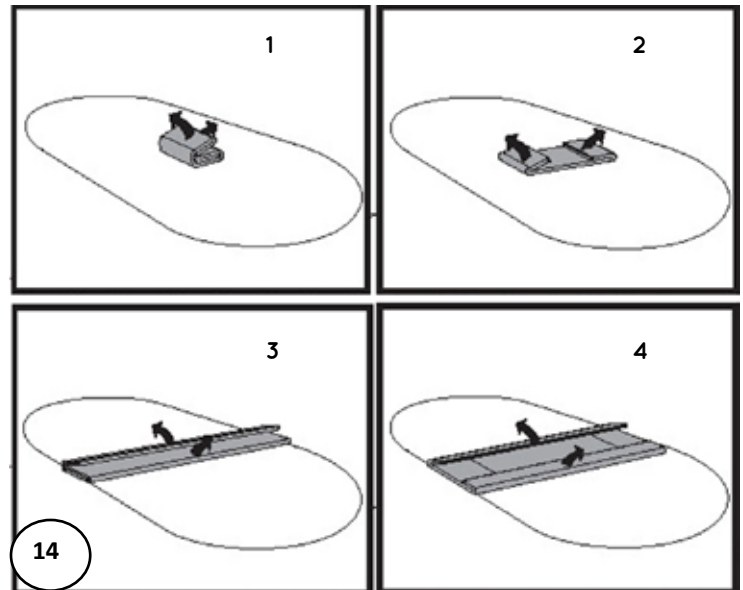
Section 3

GENERAL INSTRUCTIONS - BRACELESS OVAL POOLS ASSEMBLING THE POOL WALL

C. INSTALL THE POOL LINER

1. Set the liner in place

- Open the carton. Do not use anything sharp to open the carton.
- Unpack and unfold the liner and spread it out in the sun to warm it up. Inspect all the seams and surfaces for holes.
- Remove your shoes to avoid damaging the base or tearing the liner.
- Spread out the liner, smooth side down. Unfold the liner from the centre of the pool toward the sides. **(Image 14)**
- Use the liner's bottom seam(s) as a guide and make sure the seam(s) are parallel to the straight sections and to the imaginary line which links points A and B in the illustration **(Image 15)**. It is recommended that you begin installing the liner in a round section.
- Use the liner's vertical seam as a guide and make sure the seam is vertical and perpendicular to the wall and bottom.
- Make sure the seam between the wall and bottom is centred on the cove **(Image 16)**
- Smooth out all the wrinkles in the bottom. Do not leave any space between the liner and cove.



⚠ Important Note:

If possible, unfold the liner on the grass one to two hours before installation. Be careful not to leave the liner too long or you may damage the grass.

⚠ Important Note:

The liner is generally smaller than the support structure of the pool. It will stretch more easily when warm. It is important that the liner is installed on a warm sunny day.

Section 3

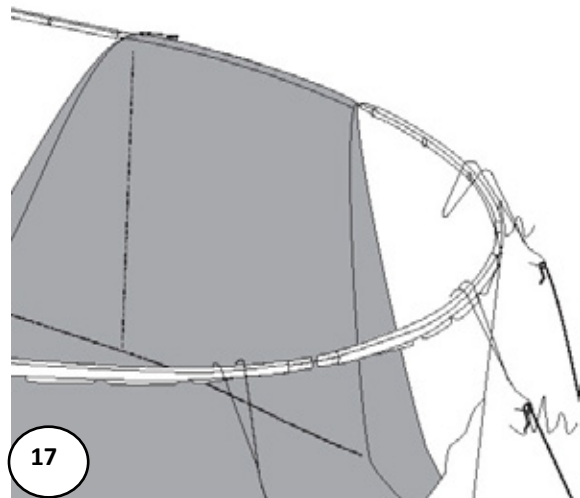
GENERAL INSTRUCTIONS - BRACELESS OVAL POOLS ASSEMBLING THE POOL WALL

C. CONT. INSTALL THE POOL LINER

Please ensure to follow instructions that match the type of liner you may have.

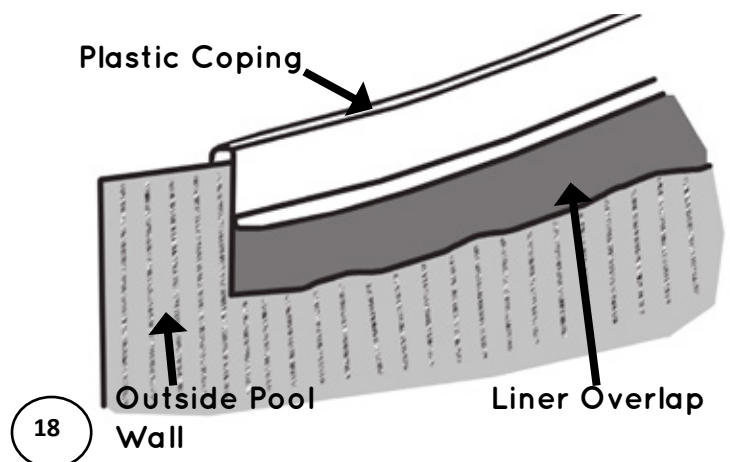
2. Fasten the liner place (OVERLAP ONLY)

- a. Starting at the liner wall seam, hang the liner over the wall making sure that the seam is straight up and down, perpendicular to the floor. (Remove stabilizers gradually as you fold the liner over the top of the wall.)This will assure you that the liner begins going over the wall straight. *(Image 17)*
- b. As you put the liner over the wall you can secure it by using the plastic coping strips to keep it in place. If you end up with excess material, continue around the pool, pulling excess liner evenly, and distribute over the wall until the excess is gone. *(Image17)*
- c. Fasten the liner to the top of the wall with plastic coping. Let the liner hang slack for now. Do not pull the liner tight. *(Image 18)*



NOTE: Some liners may fit very tightly, it is better to install uprights, top plate and rail before going onto next step. See Section 4.

- d. Turn the vacuum cleaner on and push the liner outward with your feet to iron out any wrinkles. Once finished, turn off vacuum cleaner.
- e. Start filling the pool with water. As the pool fills, work out all the wrinkles and smooth the liner to the wall. Remove the plastic coping around the top edge of the wall one piece at a time and adjust the liner. Keep smoothing out the wrinkles.



Important Note:

Do not trim off the excess liner. (If the liner ever needs to be removed, trimming the liner will make re-installation very difficult.) Instead, roll up any excess liner and tape it in place near the top of the pool wall.

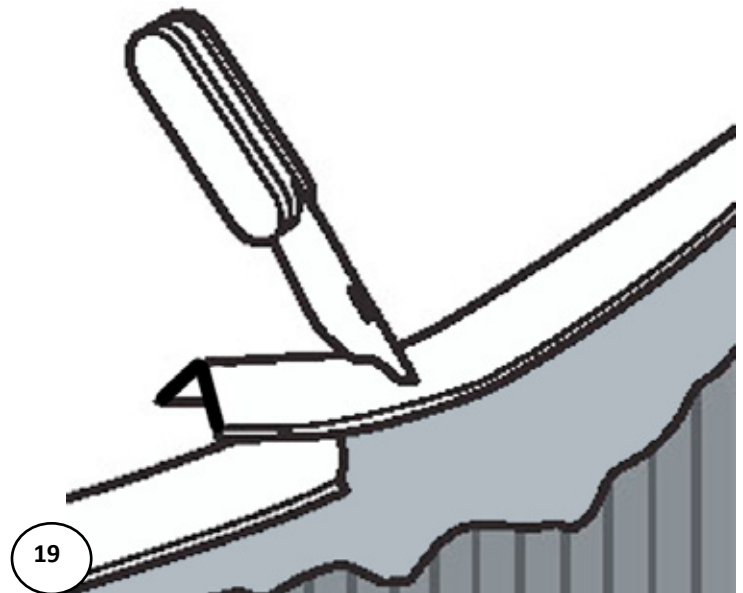
Section
3

GENERAL INSTRUCTIONS - BRACELESS OVAL POOLS
ASSEMBLING THE POOL WALL

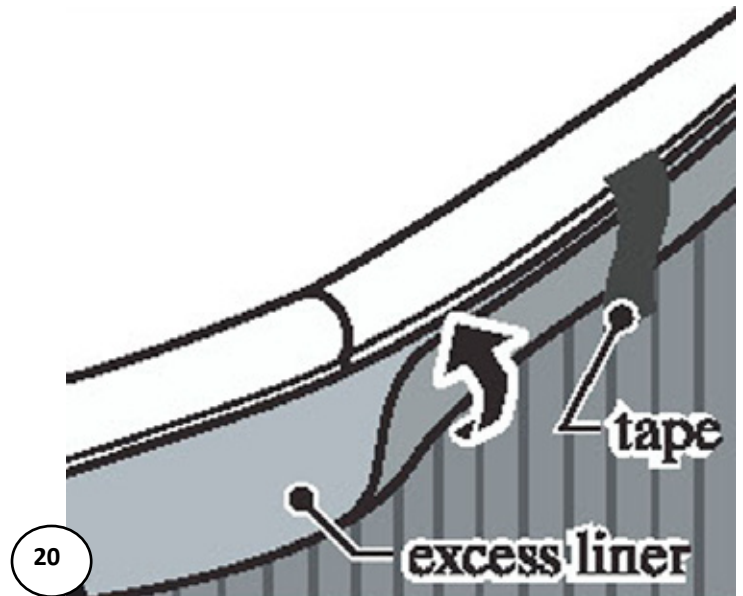
C. CONT. INSTALL THE POOL LINER

- f. After all the wrinkles in the liner are removed, trim any extra length of plastic coping so there is no overlap. *(Image 19)*

- g. Roll up any excess liner hanging below the plastic coping and tape it in place near the top of the pool wall. Important: Do not trim off the excess liner. *(Image 20)*



⚠ Important Note:
Do not trim off the excess liner. (If the liner ever needs to be removed, trimming the liner will make re-installation very difficult.) Instead, roll up any excess liner and tape it in place near the top of the pool wall.



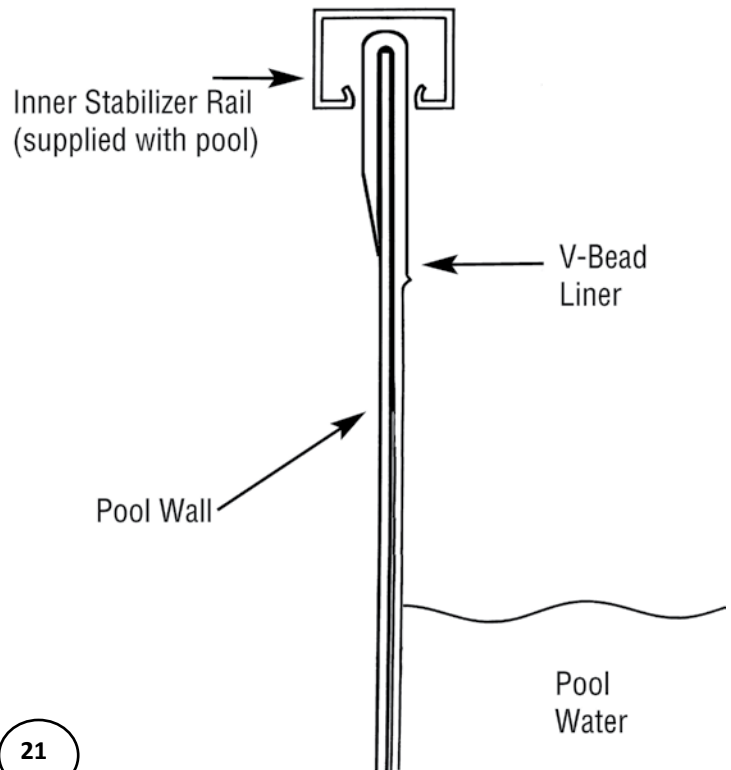
Section 3

GENERAL INSTRUCTIONS - BRACELESS OVAL POOLS ASSEMBLING THE POOL WALL

C. CONT. INSTALL THE POOL LINER

4. Fasten the liner in place (HUNG/J or V-BEAD LINER ONLY)

- a. With a V-Bead liner you will not use the plastic coping strips that are packed in the parts carton of your pool. You can discard those pieces, if they are included, as they only apply to pools with overlap liners.
- b. The top of the wall of the liner has what is called a "V-Bead" welded onto it. Simply open up the bead with your fingers and hang it directly on top of the pool wall. When this is done properly, the only portion on the outside of the pool wall is approximately 1" of the V-Bead. No printed liner material is actually going over the top of the wall to the outside of the wall. **(Image 21)**
- c. Make sure the bead is on evenly around the entire pool, and that the liner is hanging straight down from the top of the wall. The liner should not have creases in it because it is twisting around the pool. If the liner is twisting, it is because it is not sitting properly in the pool. Make necessary adjustments before proceeding.



NOTE: Some liners may fit very tightly, it is better to install uprights, top plate and rail before going onto next step. See Section 4.



Important Note:

Do not trim off the excess liner. (If the liner ever needs to be removed, trimming the liner will make re-installation very difficult.) Instead, roll up any excess liner and tape it in place near the top of the pool wall.

Section 3

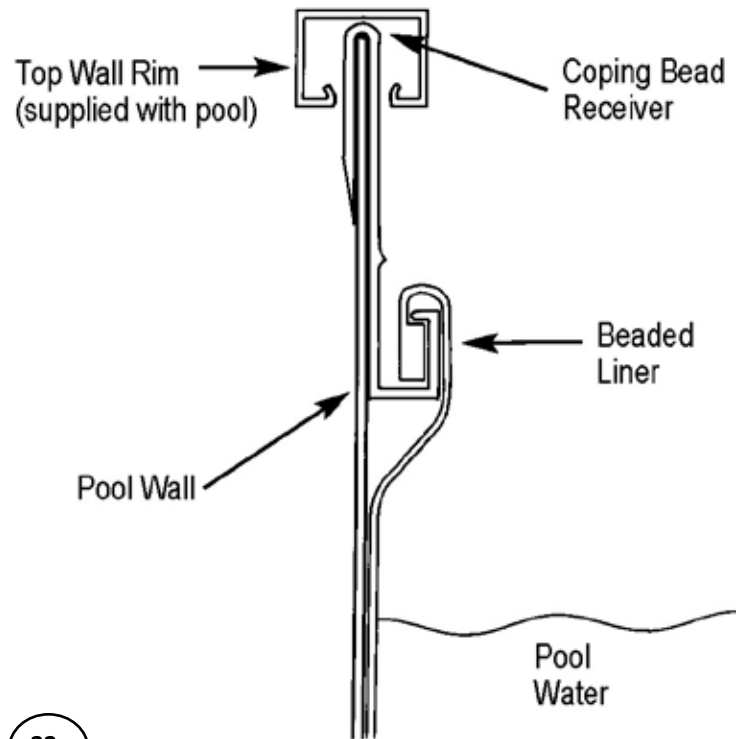
GENERAL INSTRUCTIONS - BRACELESS OVAL POOLS ASSEMBLING THE POOL WALL

C. CONT. INSTALL THE POOL LINER

3. Fasten the liner place (BEADLOCK/SNAPBEAD LINER ONLY)

- a. With a snap bead liner you will not use the plastic coping strips that are packed in the parts carton of many pools. You can discard those pieces (if they are included). Instead, you should have received a beaded liner track (referred to as a "coping bead receiver" in *Image 22*).
- b. The beaded liner track should be installed onto the pool wall all of the way around the pool. These pieces should be as close together as possible. Leaving spaces between bead tracks can cause liner problems later on.
- c. Once all of the beaded liner track is on the wall, you can snap the liner bead into the beaded liner track at four random points around the pool. After that is done, and you are satisfied with how the liner is situated within the pool, you can continue snapping the remainder of the liner into place around the pool.
- d. Go around the entire pool again making certain that the liner is securely snapped into the track. This is important to confirm so that the liner does not pull out while under the pressure of being filled with water.

NOTE: Some liners may fit very tightly, it is better to install uprights, top plate and rail before going onto next step. See Section 4.



Important Note:

Do not trim off the excess liner. (If the liner ever needs to be removed, trimming the liner will make re-installation very difficult). Instead, roll up any excess liner and tape it in place near the top of the pool wall.

5. Proceed to Section 4 - Installing the Pool Frame

Section 4

GENERAL INSTRUCTIONS - BRACELESS OVAL POOLS ASSEMBLING THE POOL FRAME

A. INSTALLATION OF THE UPRIGHTS - Straight Section

1. Install the uprights - Straight Section

NOTE: Depending on your pool model you may have steel or resin bottom plates/rails.

- a. The wall joint is hidden behind the upright on most pools. This assures that the skimmer and skimmer return holes are not obstructed.
- b. Insert an upright into the bottom plate. The upright will cover the vertical sleeve. Ensure that the upright is correctly inserted into the bottom plate. *(Image 1)*
- c. Please note that the holes meant to receive the ledge cover are placed asymmetrically. This means that the holes which are at each extremity of the upright are not placed at the same distance from each extremity of the upright.
- d. Using two (2) self-tapping screws attach the bottom of the uprights to the bottom plates. *(Images 2 & 3)*

Proceed with the installation of the uprights

⚠ Important Note:
Use the ridges in the pool wall to make sure the upright column is straight up and down.

⚠ Important Note:
Ensure to leave a gap between the two bottom rails.

See Diagram:
Please refer to your pool's footprint (Section 1, last page) for gap measurement.



Section 4

GENERAL INSTRUCTIONS - BRACELESS OVAL POOLS ASSEMBLING THE POOL FRAME

A. CONT. INSTALLATION OF THE UPRIGHTS - Round Section

1. Install the uprights - round section

NOTE: Depending on your pool model you may have steel or resin bottom plates.

- a. The wall joint is hidden behind the upright on most pools. This assures that the skimmer and skimmer return holes are not obstructed.
- b. Insert an upright into the bottom plate. Squeeze each side of the upright at the bottom into the bottom plate. Push firmly on the upright while ensuring that it is completely inserted into the bottom plate.
Steel: Image 1
Resin: Image 2
- c. Attach the bottom of the uprights to the bottom plates using a self tapping screw. (**Image 2**)
Steel: Image 3
Resin: Image 4



⚠ Important Note:
Use the ridges in the pool wall to make sure the upright column is straight up and down.

⚠ Important Note:
Ensure to leave a gap between the two bottom rails.



See Diagram:
Please refer to your pool's footprint (Section 1, last page) for gap measurement.

Section 4

GENERAL INSTRUCTIONS - BRACELESS OVAL POOLS ASSEMBLING THE POOL FRAME

A. CONT. INSTALLATION OF THE UPRIGHTS

2. Install the footcovers

- a. If your model contains the optional footcover, attach with self-tapping screw.

Round Section: Image 5

Straight Section Image 6

- b. Install the finishing plug. (*Image 7*)

Proceed with the installation of the uprights.



 **Important Note:**

Use the ridges in the pool wall to make sure the upright column is straight up and down.

 **Important Note:**

Ensure to leave a gap between the two bottom rails.

See Diagram:

Please refer to your pool's footprint (Section 1, last page) for gap measurement.



Section 4

GENERAL INSTRUCTIONS - BRACELESS OVAL POOLS ASSEMBLING THE POOL FRAME

B. INSTALLATION OF THE STABILIZERS AND TOP PLATES - Straight Section

1. Install stabilizers and top plates - Straight Section STEEL Only

- Install the stabilizers on the wall while ensuring to leave a gap between each end.

IMPORTANT: If you have STEEL, insert a Junction rail into either side of the stabilizer in the straight section only, before inserting into either side of the top plate. *(Images 8 to 10)*

For the Round section you DO NOT need to insert a Junction Rail.

- Make sure the recessed portion of the top plates lie to the inside of the uprights. *(Image 11)*
- Attach the upright to the top plate using screws.

Repeat until you have installed all the stabilizers and top plates in the straight section.

 **Important Note:**
Ensure to leave a gap between the two stabilizers.

See Diagram:
Please refer to your pool's footprint (Section 1, last pages) for gap measurement.



Section 4

GENERAL INSTRUCTIONS - BRACELESS OVAL POOLS ASSEMBLING THE POOL FRAME

B. INSTALLATION OF THE STABILIZERS AND TOP PLATES - Straight Section

1. Install stabilizers and top plates - Straight Section RESIN Only

- Install the stabilizers on the wall while ensuring to leave a gap between each end.
- Make sure the recessed portion of the top plates lie to the inside of the uprights. *(Images 12 & 13)*
- Attach the upright to the top plate using screws. *(Image 14)*

Repeat until you have installed all the stabilizers and top plates in the straight section.



 **Important Note:**
Ensure to leave a gap between the two stabilizers.

See Diagram:
Please refer to your pool's footprint (Section 1, last pages)
for gap measurement.

Section 4

GENERAL INSTRUCTIONS - BRACELESS OVAL POOLS ASSEMBLING THE POOL FRAME

B. INSTALLATION OF THE STABILIZERS AND TOP PLATES - Round Section

2. Install stabilizers and top plates - Round Section

NOTE: Depending on your pool model you may have steel or resin top plates.

- a. Install the stabilizer on the wall while ensuring to leave a gap between each end. Insert the stabilizer into either side of the top plate.

Steel: *Image 15*

Resin: *Image 17*

- b. Position stabilizers and top plates just assembled on top of wall by slightly tapping them with a mallet. Make sure the recessed portion of the top plates lie to the inside of the uprights.

- c. Ensure that the upright is level.

- d. Attach the upright to the top plate using screws.

Steel: *Image 16*

Resin: *Image 18*

Repeat until you have installed all the stabilizers and top plates.



Important Note:

Ensure to leave a gap between the two stabilizers.



Section 4

GENERAL INSTRUCTIONS - BRACELESS OVAL POOLS ASSEMBLING THE POOL FRAME

C. INSTALLATION OF TOP LEDGE AND LEDGE COVERS

1. Install top ledge

NOTE: Depending on your pool model you may have steel or resin top ledge.

- a. Place top ledges on the wall. Align the holes on the top ledges with those on the top plates. Make sure the space left between each top ledge is uniform all around and that the space in question can be covered by a ledge cover. Attach the top ledges to the top plates using self-tapping screws.

Steel Top Ledge on Steel Top Plate: *Image 19*

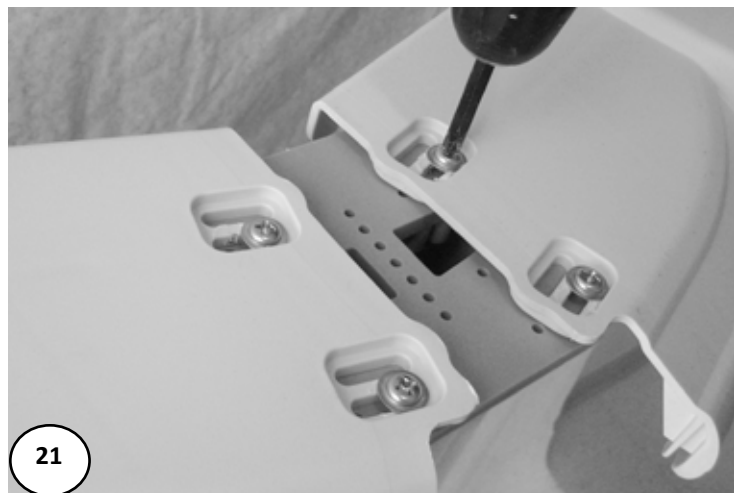
Resin Top Ledge on Steel Top Plate: *Image 20*

Resin Top Ledge on Resin Top Plate: *Image 21*



Important Note:

We suggest that you install all the top ledges on the wall before attaching them.



Section 4

GENERAL INSTRUCTIONS - BRACELESS OVAL POOLS ASSEMBLING THE POOL FRAME

C. CONT. INSTALLATION OF TOP LEDGE AND LEDGE COVERS

2. Install ledge covers

NOTE: Depending on your pool model you may have steel or resin top ledge.

- Place interior ledge cover onto the top plate and attach with a self-tapping screw.

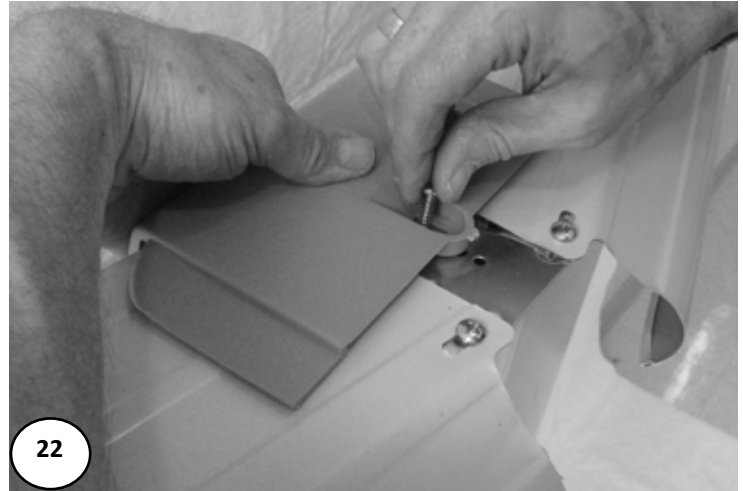
Steel Top Ledge on Steel Top Plate: *Image 22*

Resin Top Ledge on Steel Top Plate: *Image 23*

Resin Top Ledge on Resin Top Plate: *Image 24*

- Slide the exterior ledge cover into the interior ledge cover guide. (***Image 25***)
Note: The plug is often located inside the ledge cover. Make sure you remove it before installing the ledge cover.

Note: During assembly, the inner and outer components of the ledge cover may have been slipped into each other for packaging purposes.



⚠ Important Note:
We suggest that you install all the top ledges on the wall before attaching them.



Section
4

**GENERAL INSTRUCTIONS - BRACELESS OVAL POOLS
ASSEMBLING THE POOL FRAME**

C. CONT. INSTALLATION OF TOP LEDGE AND LEDGE COVERS

- c. Attach the exterior ledge cover to the upright using a self-tapping screw. **(Image 26)**

- d. Install the finishing plug on the ledge cover. **(Image 27)**



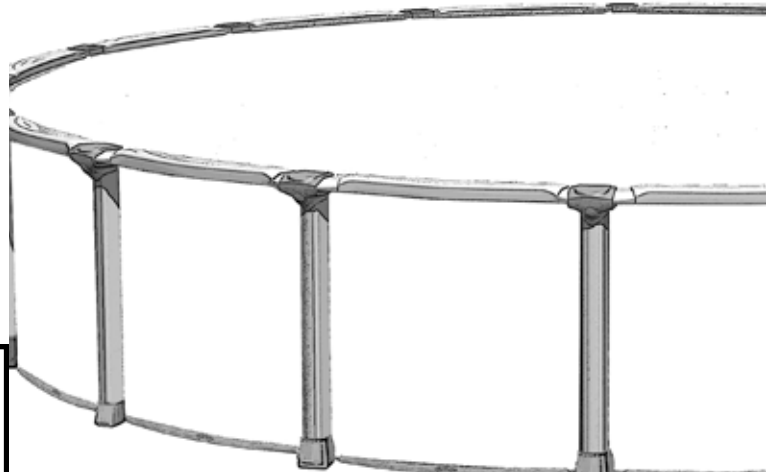
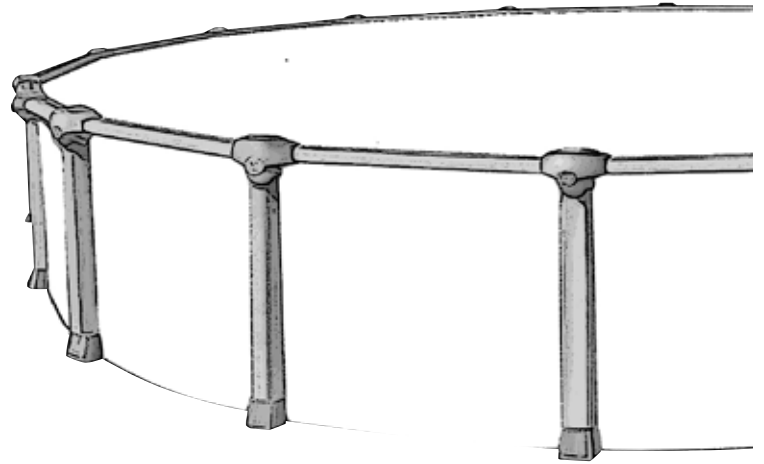
Section 4

GENERAL INSTRUCTIONS - BRACELESS OVAL POOLS ASSEMBLING THE POOL FRAME

D. FILL YOUR POOL WITH WATER

1. Finish filling the pool

- a. Turn off the vacuum and carefully remove it from the pool.
- b. Fill the pool with water to 2" (5cm) below the lowest opening. Make sure you remove any creases from the liner in the bottom of the pool before the water level gets too high.
- c. While the pool is filling, remove the nails that were holding the bottom rails in place.
- d. Your pool is now installed. You must now install the filter and pump, the skimmer and water return inlet. Please follow the installation instructions that come with these products.



Important Note:

Before making any openings in the liner, fill the pool with 60cm (24") of water to stretch the liner fully. When filling your pool, begin with a garden hose until there is about 30cm (12") of water in the pool. This will allow the liner to stretch gradually. You can then use a heavier flow to finish filling it up.

IMPORTANT:

Make sure that your pool is round, do not assume that by filling up the pool that this will help the pool to place itself into a perfect round circle. Ensure that it is round before filling up the pool with water.

IMPORTANT SAFETY INFORMATION:

Please refer to the safety page at the beginning of this instruction manual. You must follow the rules and information regarding placement of safety stickers on your pool.