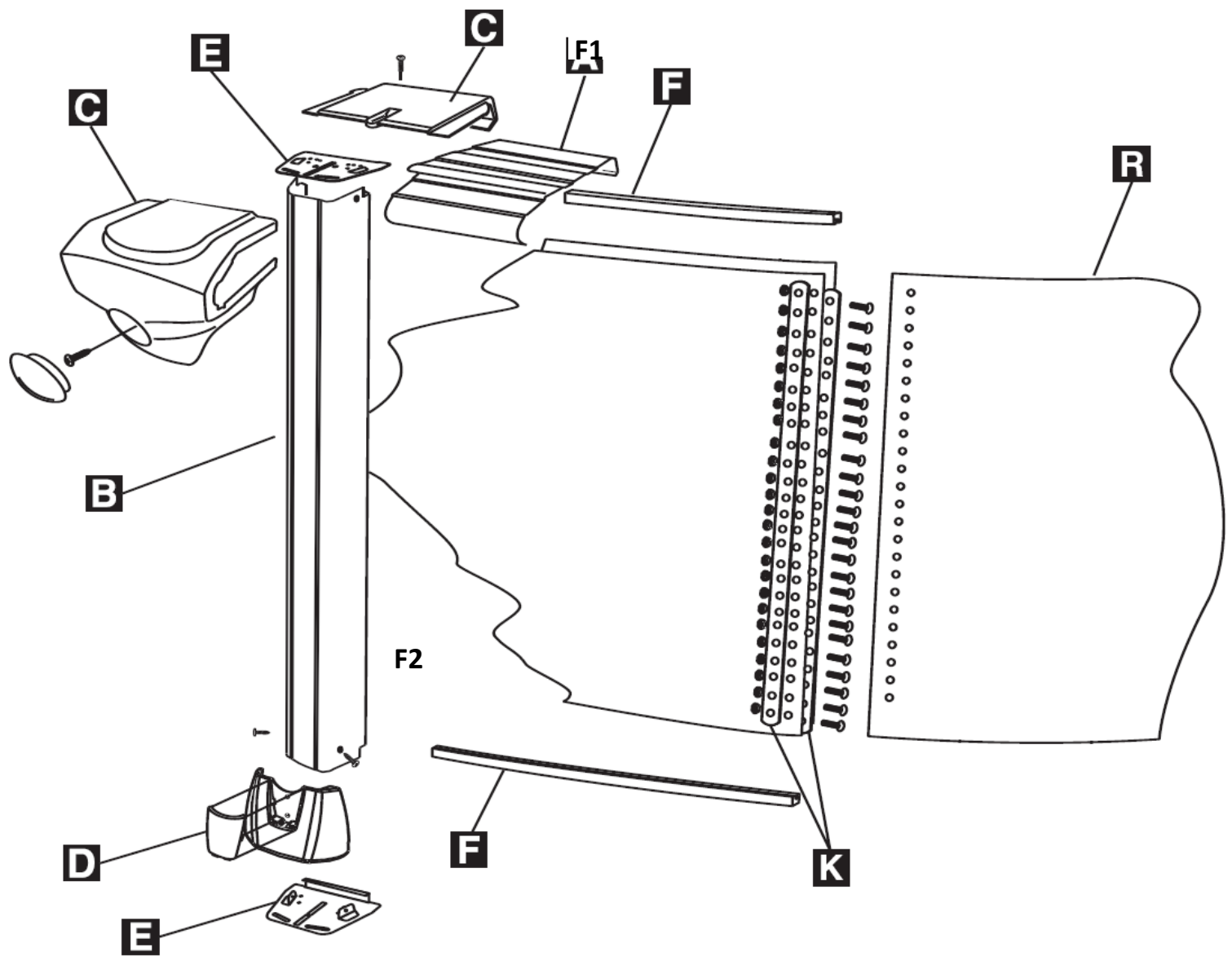


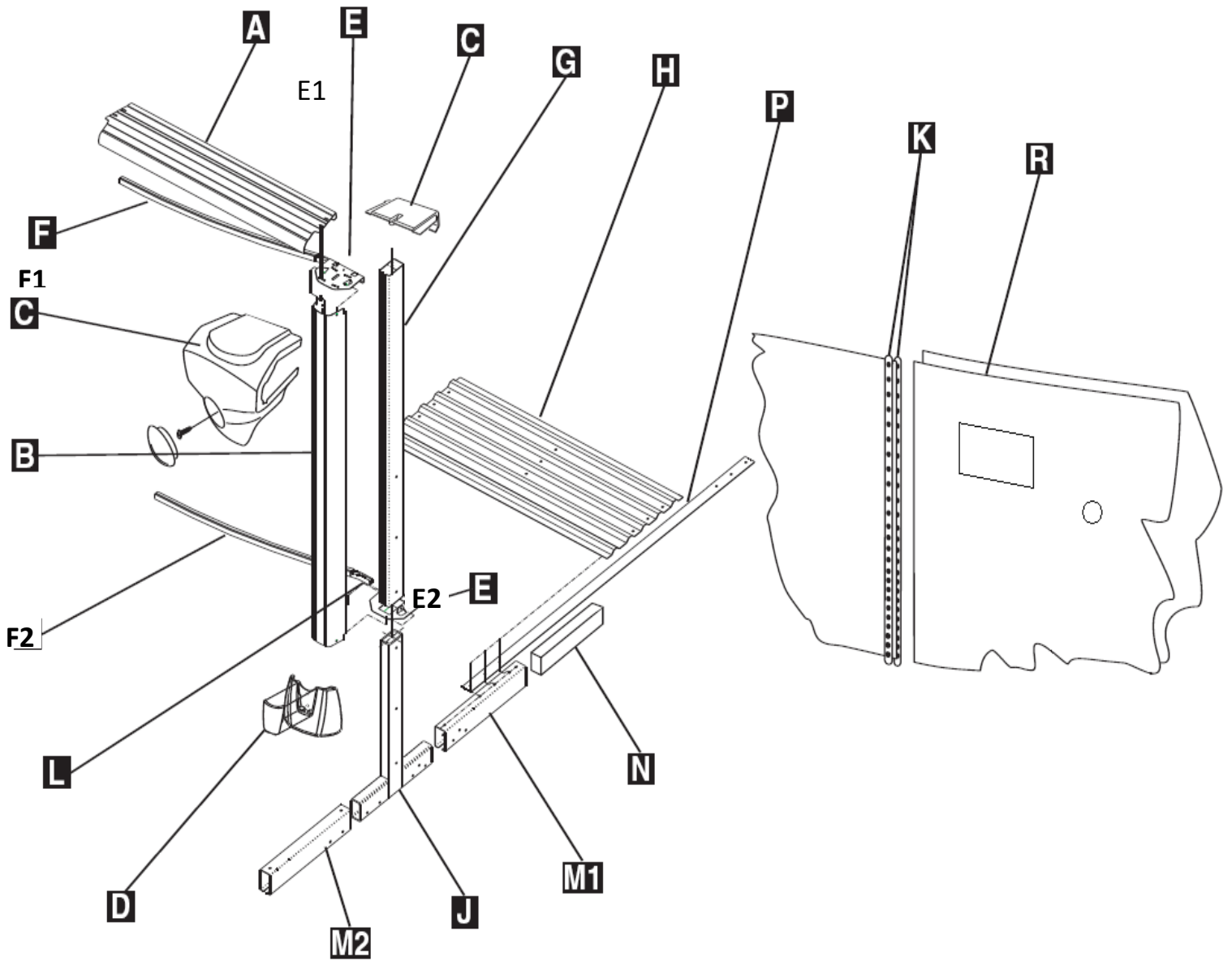
Ohana STR  
PZEN-52SSPSPSB11  
Round



				Quantity required for installation (by pool size)								
Index#	Description	Part #	Length	8	12	15	18	21	24	27	30	PRICING
A	Top ledge 30"	ART211-1295030	30,500"	10								\$22.63
A	Top ledge 50"	ART211-1295050	50,500"		9							\$37.71
A	Top ledge 52"	ART211-1295052	51,750"			11	13					\$39.18
A	Top ledge 53"	ART211-1295053	53,250"					15	17	19	21	\$41.11
B	Upright	ART711-R12954M	51,750"	10	9	11	13	15	17	19	21	\$43.69
C	Ledge cover	AR211-23120ABC		10	9	11	13	15	17	19	21	\$13.67
D	Foot Cover	AR711-23300AC		10	9	11	13	15	17	19	21	\$4.31
E	Plate	21120A		20	18	22	26	30	34	38	42	\$4.56
F1	Stabilizer 8D	1254108	30,000"	10								\$3.87
F2	Bottom Rail 8D	LA1254108	30,000"	10								\$5.02
F1	Stabilizer 12D	1254112	49,750"		9							\$6.40
F2	Bottom Rail 12D	LA1254112	49,750"		9							\$8.30
F1	Stabilizer 15D	1254115	50,974"			11						\$6.56
F2	Bottom Rail 15D	LA1254115	50,974"			11						\$8.51
F1	Stabilizer 18D	1254118	51,721"				13					\$6.64
F2	Bottom Rail 18D	LA1254118	51,721"				13					\$8.61
F1	Stabilizer 21D	1254121	52,250"					15				\$6.71
F2	Bottom Rail 21D	LA1254121	52,250"					15				\$8.71
F1	Stabilizer 24D	1254124	52,690"						17			\$6.79
F2	Bottom Rail 24D	LA1254124	52,690"						17			\$8.82
F1	Stabilizer 27D	1254127	53,000"							19		\$6.79
F2	Bottom Rail 27D	LA1254127	53,000"							19		\$8.82
F1	Stabilizer 30D	1255330	53,375"								21	\$6.87
F2	Bottom Rail 30D	LA1255330	53,375"								21	\$8.92
K	Steel bars	11823	52,000"	2	2	2	2	2	2	2	2	\$8.18
R	Wall			1	1	1	1	1	1	1	1	
	Hardware bag/pool	SACV12X34-124	#12 SCREWS 3/4"	1								\$50.02
	Hardware bag/pool	SACV12X34-113	#12 SCREWS 3/4"		1							\$45.59
	Hardware bag/pool	SACV12X34-129	#12 SCREWS 3/4"			1						\$52.17
	Hardware bag/pool	SACV12X34-153	#12 SCREWS 3/4"				1					\$61.82
	Hardware bag/pool	SACV12X34-174	#12 SCREWS 3/4"					1				\$70.13
	Hardware bag/pool	SACV12X34-204	#12 SCREWS 3/4"						1			\$82.19
	Hardware bag/pool	SACV12X34-225	#12 SCREWS 3/4"							1		\$90.78
	Hardware bag/pool	SACV12X34-247	#12 SCREWS 3/4"								1	\$99.49
	Hardware bag/wall	1050000054		1	1	1	1	1	1	1	1	\$43.97
	Instruction DVD	36876		1	1	1	1	1	1	1	1	\$9.01



Ohana STR  
PZEN-YE52SSPSPSB11  
Yard Extender  
Oval



				Quantity required for installation (by pool size)				
Index#	Description	Part #	Length	1223	1526	1530	1833	PRICING
A	Top ledge 44"	ART211-1295044	44,000"	8	8	10	10	\$33.11
A	Top ledge 45"	ART211-1295045	45,000"	8				\$35.87
A	Top ledge 48"	ART211-1295048	48,000"		10	10		\$36.14
A	Top ledge 49"	ART211-1295049	49,750"				12	\$36.88
B	Upright	ART711-R12954M	51,750"	16	18	20	22	\$43.69
C	Ledge cover	AR211-23120ABC		16	18	20	22	\$13.67
D	Foot cover	AR711-23300AC		16	18	20	22	\$4.31
E	Plate (round sections)	21120A		20	24	24	28	\$4.56
E1	Top plate (straight sections)	21134		6	6	8	8	\$8.11
E2	Bottom plate (straight	21124		6	6	8	8	\$8.11
F1	Stabilizer 38"	1254138	38,000"	4	4	6	6	\$4.90
F2	Bottom Rail 38"	LA1254138	38,000"	4	4	6	6	\$6.36
F1	Stabilizer 41"	1254141	41,000"	4	4	4	4	\$5.29
F2	Bottom Rail 41"	LA1254141	41,000"	4	4	4	4	\$6.87
F1	Stabilizer 45"	1254412	44,750"					\$5.92
F2	Bottom Rail 45"	LA1254412	44,750"	8				\$7.00
F1	Stabilizer 47"	1254715	47,750"		10	10		\$6.16
F2	Bottom Rail 47"	LA1254715	47,750"		10	10		\$8.00
F1	Stabilizer 49"	1254918	49,125"				12	\$6.32
F2	Bottom Rail 49"	LA1254918	49,125"				12	\$8.20
G	Vertical sleeve	20506	51,000"	6	6	8	8	\$87.10
H	Brace plate	20809	47,000"	4	4	6	6	\$111.13
J	T unit	20801		6	6	8	8	\$251.46
K	Steel bars	11823	52,000"	2	2	2	2	\$8.18
L	Junction Bottom Rail	12539		24	24	32	32	\$3.29
M1	Horizontal sleeve with pen	20810	17,000"	6	6	8	8	\$50.67
M2	Horizontal sleeve without	20802	17,000"	6	6	8	8	\$39.06
N	Extruded polystyrene piece	1000100		6	6	8	8	\$1.53
P	Steel strap 26"	20526		3	-	-	8	\$7.49
P	Steel strap 60"	20560		6	9	12	12	\$15.02
R	Wall			1	1	1	1	
	Hardware bag for pool	SACV12X34-169	#12 screws 3/4"	1				\$68.25
	Hardware bag for pool	SACV12X34-191	#12 screws 3/4"		1			\$76.96
	Hardware bag for pool	SACV12X34-215	#12 screws 3/4"			1		\$86.62
	Hardware bag for pool	SACV12X34-235	#12 screws 3/4"				1	\$94.66
	Hardware bag for wall	1050000054		1	1	1	1	\$43.97
	Hardware bag for wall	SACSJF-4				2	2	\$120.39
	Additional hardware bag	SACSJF-6		1	1			\$171.99
	Bag screws crowns	SACVCP-POV	#12 screws 1/2"	2	2	2	3	\$12.83
	Instruction DVD	36876		1	1	1	1	\$9.01

