

## **INTRODUCTION TO THE BUILDER**

The safety of your customer, their family and guests is of vital concern to all of us. When installed and used properly, swimming pools provide years of safe, healthy and fun recreation. Like any product or home improvement, however, misuse of, or improper activity in and around a pool presents the potential for serious injury or death. As the Builder/Installer, you play a critical part in pool safety. It is essential that you take an active role in educating the customer with regard to pool safety. The manufacturer provides a Customer Information Package to assist you in this effort. It is the responsibility of the Builder/Installer to not only present this package to the customer, but review its contents with them.

The Builder/Installer should read and follow the instructions provided below and in our Customer Information Package. Failure to do so constitutes a misuse of our products.

## **COMPLIANCE WITH STANDARDS, REGULATIONS AND ORDINANCES**

It is essential that Pool Builders, City or Local Officials and Home Owners follow all safety and installation recommendations from the Association of Pool and Spa Professionals (formerly the National Spa and Pool Institute(NSPI)), and equipment manufacturers, as well as State and Local Laws, Regulations and Ordinances.

The Builder must consult and follow or exceed the manufacturer's instructions and minimum standards published by the American National Standards Institute (ANSI) and the APSP with regard to all aspects of pool construction including slopes and configurations, means of exit or entry, entrapment avoidance, water circulation and clarity, electrical, and the use or installation of Diving Equipment or Pool Slides.

The drawings contained in this book show finished dimensions and shapes that comply with the relevant ANSI/NSPI-5 "Standards for Residential Pools" 2003, the International Residential Code (IRC 2000), ICC-ESR 2450 and ICC-ESR 2782. Engineer's seals are available for these drawings. Any variation from these specified dimensions could result in a violation of the ANSI/NSPI standard or other requirements. It is the responsibility of the Builder to determine the location of all accessories and filtration equipment, such as ladders, rope mount and float set, steps, drains, skimmers, suction inlets and returns, pumps, decking and fencing and/or other barriers, heaters, lighting and related electrical wiring and to protect against suction entrapment in accordance with ANSI/NSPI-5 "Standards for Residential Pools" 2003, ANSI/APSP-7 "American National Standard for Suction Entrapment Avoidance in Swimming Pools, Spas, Hot Tubs, and Catch Basins" – 2006, The Virginia Graeme-Baker Act Pool and Spa Safety Act (VGB) and other codes and standards cited therein, as well as applicable State and Local Laws, Regulations and Ordinances. The manufacturer makes no specific recommendations and accepts no liability in this regard. For more information with regard to the ANSI/NSPI or ANSI/APSP standards or for other general information contact:

THE ASSOCIATION OF POOL AND SPA PROFESSIONALS  
211 EISENHOWER AVENUE  
ALEXANDRIA, Va. 22314  
Phone (703) 838-0083  
[www.theapsp.org](http://www.theapsp.org)

## **CUSTOMER INFORMATION PACKAGE**

WE HAVE ATTEMPTED TO PROVIDE THE MOST COMPREHENSIVE AND PROFESSIONAL SAFETY INFORMATION PACKAGE IN THE INDUSTRY.

ONE CUSTOMER INFORMATION PACKAGE IS ENCLOSED WITHIN EACH LINER BOX. THE BUILDER MUST DELIVER THIS PACKAGE TO THE CUSTOMER AND REVIEW ITS CONTENTS WITH THEM. EACH CUSTOMER INFORMATION PACKAGE CONTAINS THE FOLLOWING:

1. A.P.S.P. PUBLICATION - "The Sensible Way to Enjoy Your Pool." This booklet contains important safety information.
2. OWNER'S MANUAL - Important instructions for the consumer with regard to the use and proper maintenance of their pool and liner.
3. "NO -DIVING" DECALS AND INSTRUCTIONS – The decals are to be attached to the coping in all non-diving areas of every pool, so that that they are clearly visible.
4. SWIMMING SAFETY TIPS – This weather resistant sign must be permanently affixed in the pool area where it can be visible. The sign not only lists safety precautions, but also depicts the contours of the hopper model. **NOTE: IT IS OUR SPECIFIC INSTRUCTION AND INTENT THAT AT EACH POOL INSTALLATION THE "SWIMMING SAFETY TIPS" SIGN IS CONSPICUOUSLY POSTED AND THE NO DIVING DECALS AFFIXED. IN THIS MANNER, WE FEEL CONFIDENT THAT EACH AND EVERY INDIVIDUAL WHO USES THIS PRODUCT HAS BEEN GIVEN THE OPPORTUNITY TO REVIEW THIS INFORMATION PRIOR TO THE POOL'S USE. OTHERWISE, THE POOL AND/OR LINER HAVE NOT BEEN PROPERLY INSTALLED.**
5. WARRANTY. It is recommended that the builder/installer review the warranty information with the customer and assist them in registering the product on line.

Important safe use information directed to both the builder and the pool owner is also found on the exterior of the Customer Information Package envelope and should be followed. SAFETY INFORMATION IS ALSO ENCLOSED IN THE SCREW PACKAGE ON EACH THERMOPLASTIC STEP AND SHOULD ALSO BE DELIVERED TO THE POOL OWNER.

## **ROPE AND FLOATS**

The ANSI/NSPI-5 "Standards for Residential Pools" 2003 requires the installation of a rope and float assembly in any in ground residential pool where the first slope change occurs in water less than 4 feet 6 inches deep. The rope must be located at least 1 foot and not more than 2 feet before (closer to the shallow end) the slope change. **A rope and float assembly must be supplied with each applicable pool and must be installed.**

## **NON-DIVING POOLS**

The ANSI/NSPI-5 “Standards for Residential Pools” 2003 classifies all pools that do not meet or exceed the minimum dimensions (depths, lengths and slopes) of a TYPE I pool as NON DIVING pools and installation of any diving equipment on such pools is prohibited. On all other pools, Diving Equipment may **ONLY** be installed in accordance with the instructions and minimum dimensions provided by the diving equipment manufacturer. The wall and/or liner manufacturer, the ANSI/NSPI standards and the Builder do not make this determination. If an original or replacement liner is labeled by us as NON-DIVING, then it must not be installed in any pool that has diving equipment in place and any such diving equipment must be removed before such a liner is installed. When installing a replacement liner where diving equipment or a pool slide is already present, the installer must consult the ANSI/NSPI-5 “Standards for Residential Pools” 2003, U.S. Consumer Product Safety Commission (CPSC) regulations (if a pool slide), and the manufacturer of the diving equipment or slide to determine if the use of such equipment or slide is consistent with their current recommendations. If the use of the diving equipment or slide is not consistent with all of the above, then it must be removed before the liner is installed at the pool is used.

## **MEANS OF EXIT AND ENTRY**

Article 6 of The ANSI/NSPI-5 “Standards for Residential Pools” 2003 requires one or more means of entry/exit at both the shallow and deep ends of each pool. It is the responsibility of the Builder to consult and comply with this standard with regard to the number, location, type and specific configuration of all means of entry/exit. All means of entry/exit must be located outside of the deep water envelope measured for purposes of determining the use of diving equipment (See above section on NON-DIVING POOLS).

## **ENTRAPMENT AVOIDANCE AND CIRCULATION**

All suction outlet systems must be equipped with a means to prevent suction entrapment. It is essential that the builder comply with VGB, state or local requirements. and the ANSI/APSP-7 “American National Standard for Suction Entrapment Avoidance in Swimming Pools, Wading Pools, Spas, Hot Tubs, and catch Basins” – 2006. This standard calls for either no submerged suction outlets (drains), an unblockable drain, or a minimum of two suction outlets placed a minimum of three (3) feet apart from each other (measured from center to center. As required by the VGB, all suction outlet covers and fittings manufactured or sold **MUST** be certified by the cover manufacturer as complying with ASME/ANSI A112.19.8 – 2007. Section 2.3.1 of this standard also requires that the flow rating assigned to the each cover must equal or exceed the flow rating for the ENTIRE pool. As the standard also states, there is no backup or substitute for broken or missing drain covers. **In the event any cover is broken or missing, the pool MUST BE SHUT DOWN, locked out, and cannot be used until the cover(s) is repaired and/or replaced in accordance/compliance with the Virginia Graeme-Baker Act (VGB)** . The builder should also comply with any state and local laws, regulations and ordinances. Failure to comply with these provisions may result in serious injury or death. For additional information, see the new ANSI/APSP-7 Checklist and Field Verification Procedures which are available from the APSP, as well as the U.S. Consumer Product Safety Commission (CPSC). Publication # 363-009801 and The Virginia Graeme-Baker Act. The CPSC can be contacted at (301)-404-0400 or [www.cpsc.gov/cpsc/pub/pubs363.pdf](http://www.cpsc.gov/cpsc/pub/pubs363.pdf).

***Appendix G of the 2003 or 2006 International Residential Code has been adopted in some states. Installers should contact local and/or state code officials to determine where this Appendix has been adopted. This appendix calls for certain measures including use of Safety Vacuum Release Systems conforming to ASME A112.19.17 or “approved gravity drainage system, and for a minimum of two suction outlets placed a minimum of three (3) feet apart from each other (measured between the closest points on each outlet to each other). Additional information can be obtained from the pump manufacturer, and the APSP.***

The circulation system for each pool must also comply with Article 9 of The ANSI/NSPI-5 “Standards for Residential Pools” 2003, including the number and location of outlets, returns, pumps and water quality.

## **ELECTRICAL ENERGY SUPPLY**

All electrical components, such as heaters and lighting must be installed in accordance with the National Electric Code and any other Federal, State or Local Codes.

## **POOL BARRIERS**

Many state, county and local governments require isolation (4 sided) fencing around every residential pool. It is the responsibility of the builder to know and comply with all State and Local requirements. Fences, pool covers and alarms can help prevent unintended entry to the pool, especially by children, and are strongly recommended. None of these devices, however, are a substitute for constant adult supervision. For more information, please see the Customer Information Package, and the ANSI/NSPI Model Barrier Code and other APSP publications including “Layers of Protection” and “Children Aren’t Waterproof.”

## **ICC CERTIFICATION**

Latham International packaged pools, steps, spas and vinyl liners are certified by the ICC (International Code Council) and are identified by an ICC-ES number. This number can be found on each component of the pool on the product ID label. This number certifies that the Latham International product has been tested and passed the stringent standards set by the ICC. The certification only applies when used in conjunction with other Latham International products. Approved and stamped ICC pool prints are available through Latham International.

**BY FOLLOWING THESE INSTRUCTIONS AND ADHERING TO INDUSTRY STANDARDS AND STATE AND LOCAL STATUTES REGULATIONS AND ORDINANCES, AND BY HELPING TO EDUCATE YOUR CUSTOMER WITH REGARD TO THE PROPER USE AND MAINTENANCE OF THEIR POOLS, YOU CAN HELP ENSURE THAT THEY AND THEIR FAMILY AND GUESTS CAN ENJOY THEIR POOLS SAFELY AND RESPONSIBLY.**

## 2015 BARTOP ONGROUND POOLS

| Page | Description                               | Drawing Number | Kit Part Number | Area (sq. ft.) | Liner Area (sq. ft.) | Perimeter | Volume (US gallons) | Volume (litres) |
|------|---|----------------|-----------------|----------------|----------------------|-----------|---------------------|-----------------|
| 1    | 14-0 X 11-0 X 24-2 KEY-FLAT BOTTOM        | B5KYFBS1424-15 | KYFBS1424       | 262            | 338                  | 63'-0"    | 7,200               | 27,200          |
| 3    | 14-0 X 11-0 X 24-2 KEY-6' HOPPER          | B5KYHPS1424-15 | KYHPS1424       | 262            | 338                  | 63'-0"    | 8,400               | 31,800          |
| 5    | 16-0 X 13-0 X 28-3 KEY-FLAT BOTTOM        | B5KYFBS1628-15 | KYFBS1628       | 356            | 452                  | 73'-6"    | 9,800               | 37,100          |
| 7    | 16-0 X 13-0 X 28-3 KEY-6' HOPPER          | B5KYHPS1628-15 | KYHPS1628       | 356            | 452                  | 73'-6"    | 11,400              | 43,100          |
| 9    | 18-0 X 14-0 X 30-1 KEY-FLAT BOTTOM        | B5KYFBS1830-15 | KYFBS1830       | 417            | 541                  | 79'-0"    | 11,400              | 43,100          |
| 11   | 18-0 X 14-0 X 30-1 KEY-6' HOPPER          | B5KYHPS1830-15 | KYHPS1830       | 417            | 541                  | 79'-0"    | 13,300              | 50,300          |
| 13   | 12-0 X 13-7 X 22-3 KIDNEY-FLAT BOTTOM     | B5CRFBS1222-15 | CRFBS1222       | 245            | 267                  | 59'-0"    | 6,700               | 25,400          |
| 15   | 12-0 X 13-7 X 22-3 KIDNEY-6' HOPPER LEFT  | B5CRHPS1222L15 | CRHPS1222       | 245            | 267                  | 59'-0"    | 7,800               | 29,500          |
| 17   | 12-0 X 13-7 X 22-3 KIDNEY-6' HOPPER RIGHT | B5CRHPS1222R15 | CRHPS1222       | 245            | 267                  | 59'-0"    | 7,800               | 29,500          |
| 19   | 14-0 X 15-5 X 27-7 KIDNEY-FLAT BOTTOM     | B5CRFBS1428-15 | CRFBS1428       | 348            | 386                  | 72'-0"    | 9,500               | 36,000          |
| 21   | 14-0 X 15-5 X 27-7 KIDNEY-6' HOPPER LEFT  | B5CRHPS1428L15 | CRHPS1428       | 348            | 386                  | 72'-0"    | 11,100              | 42,000          |
| 23   | 14-0 X 15-5 X 27-7 KIDNEY-6' HOPPER RIGHT | B5CRHPS1428R15 | CRHPS1428       | 348            | 386                  | 72'-0"    | 11,100              | 42,000          |
| 25   | 16-0 X 18-2 X 32-1 KIDNEY-FLAT BOTTOM     | B5CRFBS1632-15 | CRFBS1632       | 471            | 513                  | 84'-0"    | 12,900              | 48,800          |
| 27   | 16-0 X 18-2 X 32-1 KIDNEY-6' HOPPER LEFT  | B5CRHPS1632L15 | CRHPS1632       | 471            | 513                  | 84'-0"    | 15,100              | 57,100          |
| 29   | 16-0 X 18-2 X 32-1 KIDNEY-6' HOPPER RIGHT | B5CRHPS1632R15 | CRHPS1632       | 471            | 513                  | 84'-0"    | 15,100              | 57,100          |
| 31   | 12-0 X 18-2 OVAL-FLAT BOTTOM              | B5OVFBS1218-15 | OVFBS1218       | 187            | 218                  | 50'-0"    | 5,100               | 19,300          |
| 33   | 12-0 X 24-2 OVAL-FLAT BOTTOM              | B5OVFBS1224-15 | OVFBS1224       | 259            | 290                  | 62'-0"    | 7,100               | 26,900          |
| 35   | 12-0 X 24-2 OVAL- 6' HOPPER               | B5OVHPS1224-15 | OVHPS1224       | 259            | 290                  | 62'-0"    | 8,300               | 91,400          |
| 37   | 12-0 X 28-2 OVAL-FLAT BOTTOM              | B5OVFBS1228-15 | OVFBS1228       | 307            | 338                  | 70'-0"    | 8,400               | 31,800          |
| 39   | 12-0 X 28-2 OVAL- 6' HOPPER               | B5OVHPS1228-15 | OVHPS1228       | 307            | 338                  | 70'-0"    | 9,800               | 37,100          |



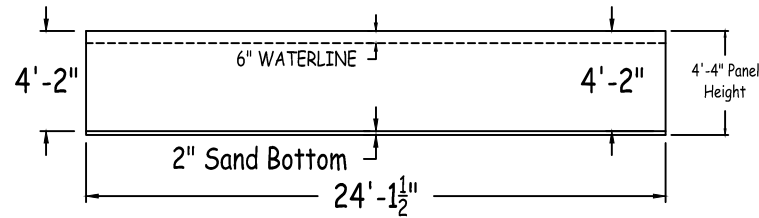
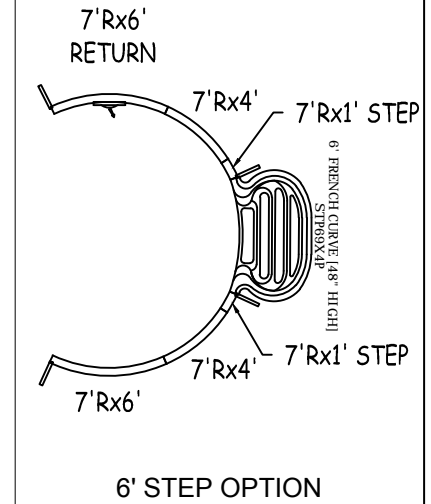
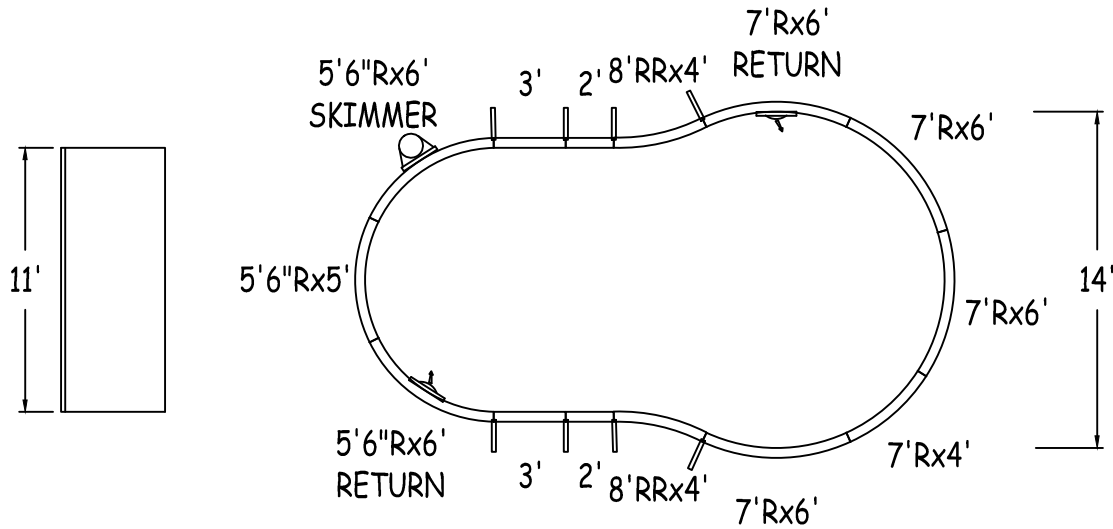
## 2015 BARTOP ONGROUND POOLS

| Page | Description                  | Drawing Number | Kit Part Number | Area (sq. ft.) | Liner Area (sq. ft.) | Perimeter | Volume (US gallons) | Volume (litres) |
|------|------------------------------|----------------|-----------------|----------------|----------------------|-----------|---------------------|-----------------|
| 41   | 14-0 X 28-0 OVAL-FLAT BOTTOM | B5OVFBS1428-15 | OVFBS1428       | 350            | 392                  | 72'-0"    | 9,600               | 36,300          |
| 43   | 14-0 X 28-0 OVAL- 6' HOPPER  | B5OVHPS1428-15 | OVHPS1428       | 350            | 392                  | 72'-0"    | 11,200              | 42,400          |
| 45   | 15-0 X 30-0 OVAL-FLAT BOTTOM | B5OVFBS1530-15 | OVFBS1530       | 402            | 450                  | 77'-2"    | 11,000              | 41,600          |
| 47   | 15-0 X 30-0 OVAL-6' HOPPER   | B5OVHPS1530-15 | OVHPS1530       | 402            | 450                  | 77'-2"    | 12,900              | 48,800          |
| 49   | 17-0 X 30-4 OVAL-FLAT BOTTOM | B5OVFBS1730-15 | OVFBS1730       | 453            | 516                  | 80'-0"    | 12,400              | 46,900          |
| 51   | 17-0 X 30-4 OVAL- 6' HOPPER  | B5OVHPS1730-15 | OVHPS1730       | 453            | 516                  | 80'-0"    | 14,500              | 54,900          |
| 53   | 17-0 X 32-4 OVAL-FLAT BOTTOM | B5OVFBS1732-15 | OVFBS1732       | 487            | 550                  | 84'-0"    | 13,400              | 50,700          |
| 55   | 17-0 X 32-4 OVAL- 6' HOPPER  | B5OVHPS1732-15 | OVHPS1732       | 487            | 550                  | 84'-0"    | 15,600              | 59,000          |
| 57   | 18-0 X 33-0 OVAL-FLAT BOTTOM | B5OVFBS1833-15 | OVFBS1833       | 525            | 594                  | 86'-7"    | 14,400              | 54,500          |
| 59   | 18-0 X 33-0 OVAL-6' HOPPER   | B5OVHPS1833-15 | OVHPS1833       | 525            | 594                  | 86'-7"    | 16,800              | 63,600          |
| 61   | 15FT ROUND                   | B5ROFBS1515-15 | ROFBS1515       | 177            | 177                  | 47'-1"    | 4,800               | 18,200          |
| 63   | 18FT ROUND                   | B5ROFBS1818-15 | ROFBS1818       | 254            | 254                  | 56'-7"    | 7,000               | 26,500          |
| 65   | 21FT ROUND                   | B5ROFBS2121-15 | ROFBS2121       | 346            | 346                  | 66'-0"    | 9,500               | 36,000          |
| 67   | 24FT ROUND                   | B5ROFBS2424-15 | ROFBS2424       | 452            | 452                  | 75'-5"    | 12,400              | 46,900          |
| 69   | 27FT ROUND                   | B5ROFBS2727-15 | ROFBS2727       | 573            | 573                  | 84'-10"   | 15,700              | 59,400          |
| 71   | 30FT ROUND                   | B5ROFBS3030-15 | ROFBS3030       | 707            | 707                  | 94'-3"    | 19,400              | 73,400          |





IN ACCORDANCE WITH ANSI/APSP/ICC-5 2011, THE INSTALLER IS RESPONSIBLE FOR PLACING ONE SKIMMER FOR EVERY 800 SQUARE FEET OF SURFACE AREA AND ONE RETURN FOR EVERY 300 SQUARE FEET OF SURFACE AREA.



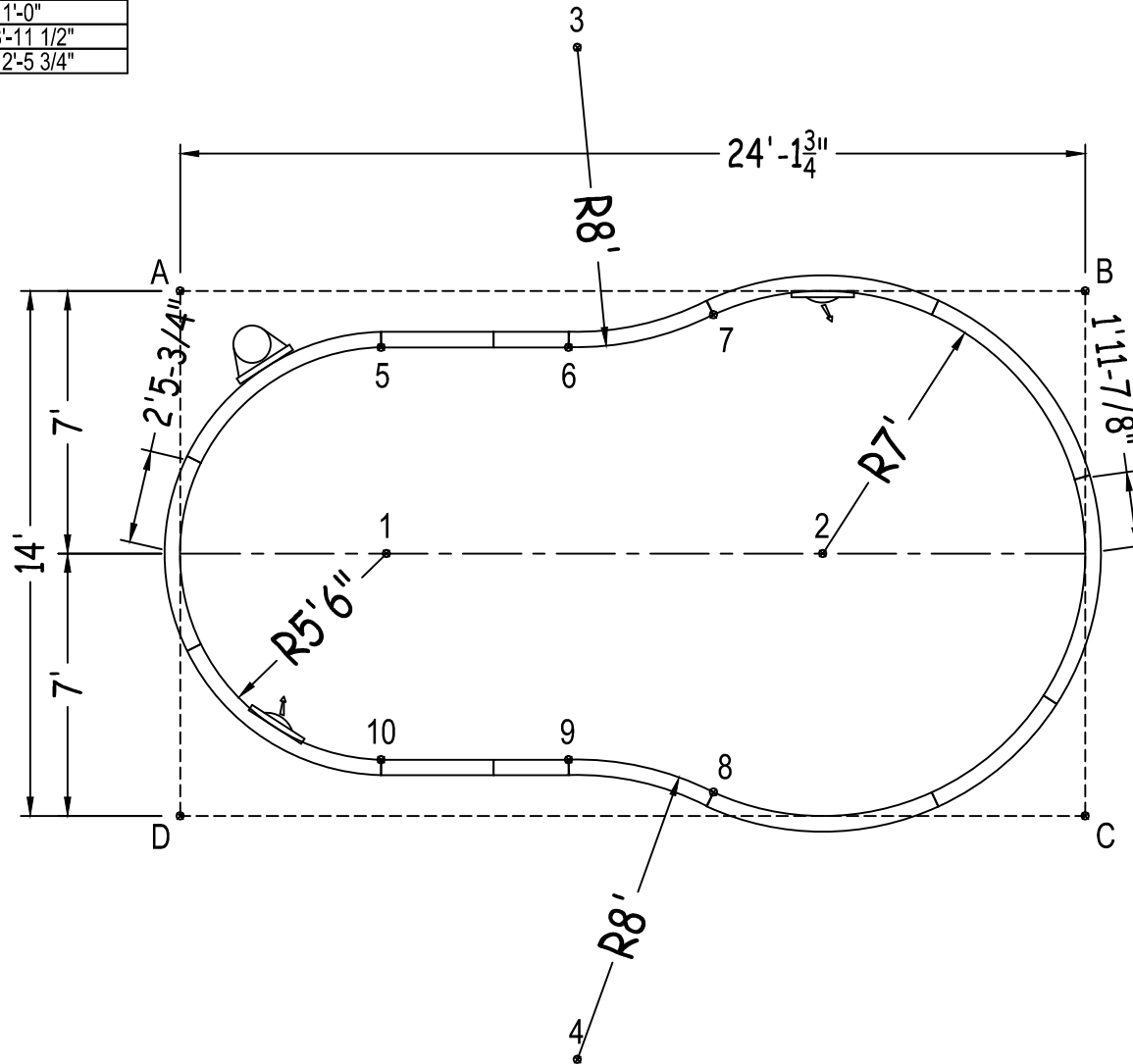
|                                 |                                    |                        |                       |  |  |   |
|---------------------------------|------------------------------------|------------------------|-----------------------|--|--|---|
| <b>Bartop</b><br>OG Pool System | KEY-FLAT BOTTOM 11-0 X 14-0 X 24-2 |                        |                       |  | ALWAYS ENTER POOL<br>Feet First<br>MEETS DEPTH AND SHAPE MINIMUM STANDARD ANSI/APSP/ICC-5 2011 | <b>NON-DIVING POOL</b><br><br>USE OF DIVING EQUIPMENT IS PROHIBITED |
|                                 | 52" STEEL PANELS                   | PERIMETER: 63'-0"      | VOLUME (US Gal): 7200 |  |  |   |
| DWG#:                           | SURFACE (ft²): 262                 | VOLUME (Liters): 27200 |                       |  |  |   |
| <b>B5KYFBS1424-15</b>           | LINER (ft²): 338                   | DATE: 1/1/2015         | DSR:                  |  |  |   |
| KIT#:                           | COVER (ft²): 418                   | SCALE: 1/8" = 1'-0"    |                       |  |  |   |

**KEY-FLAT BOTTOM**

SHEET: 1 OF 2

|                  |         |            |
|------------------|---------|------------|
| Center To Center | 6 To 9  | 11'-0"     |
| 1 To 2           | 6 To 10 | 12'-1"     |
| 1 To 3           | 7 To 8  | 12'-8 3/4" |
| 1 To 4           | 7 To 9  | 12'-5 3/4" |
| 2 To 3           | 7 To 10 | 14'-9 3/4" |
| 2 To 4           | 8 To 9  | 3'-11 1/2" |
| 3 To 4           | 8 To 10 | 8'-10 3/4" |
| Diagonals        | 9 To 10 | 5'-0"      |
| 5 To 6           |         | 5'-0"      |
| 5 To 7           |         | 8'-10 3/4" |
| 5 To 8           |         | 14'-9 3/4" |
| 5 To 9           |         | 12'-1"     |
| 5 To 10          |         | 11'-0"     |
| 6 To 7           |         | 3'-11 1/2" |
| 6 To 8           |         | 12'-5 3/4" |

| Part number   | Description                        | Base Option 1 |     |
|---------------|------------------------------------|---------------|-----|
|               |                                    | QTY           | QTY |
| ST0360000X    | 3'                                 | 2             | 2   |
| ST0240000X    | 2'                                 | 2             | 2   |
| RA0720840X    | 7'Rx6'                             | 3             | 1   |
| RA0720840*    | 7'Rx6' RETURN                      | 1             | 1   |
| RA0480840X    | 7'Rx4'                             | 1             | 2   |
| RA0120840S    | 7'Rx1' STEP                        | -             | 2   |
| RA0720660*    | 5'6"Rx6' SKIMMER                   | 1             | 1   |
| RA0720660*    | 5'6"Rx6' RETURN                    | 1             | 1   |
| RA0600660X    | 5'6"Rx5'                           | 1             | 1   |
| RA072102SC    | 6'0"X4" STEP CONNECTOR             | -             | 1   |
| RR0480960X    | 8'RRx4'                            | 2             | 2   |
| Brace         | Brace                              | 8             | 10  |
| IPC-DRVSTK12G | BRACE COMP D-STK 3"X24" 90D 12G    | 8             | 10  |
| IPC-BT52WCS-2 | COMPRESSION STRAP 2PC              | 28            | 32  |
| IPC-STKPK25   | REBAR STAKE 18" 25PC               | 1             | 2   |
| IPC-HDWSTR150 | BOLT STR 3/8-16X1" C/W NUT 150PC   | 1             | 2   |
| STP69X4P      | ACRYLIC STEP FRENCH CURVE 6" (48") | -             | 1   |



|    | A          | B           | C           | D          |
|----|------------|-------------|-------------|------------|
| 1  | 8'-10 3/4" | 19'-11"     | 19'-11"     | 8'-10 3/4" |
| 2  | 18'-6 1/4" | 9'-10 3/4"  | 9'-10 3/4"  | 18'-6 1/4" |
| 3  | 12'-5"     | 15'- 1/4"   | 24'-6 3/4"  | 23'- 3/4"  |
| 4  | 23'- 3/4"  | 24'-6 3/4"  | 15'- 1/4"   | 12'-5"     |
| 5  | 5'-6 3/4"  | 18'-10"     | 22'-6 3/4"  | 13'-7 1/4" |
| 6  | 10'-5 3/4" | 13'-10 1/4" | 18'-7 1/4"  | 16'-2 3/4" |
| 7  | 14'-2 3/4" | 9'-11 1/4"  | 16'-7 3/4"  | 19'-6 1/4" |
| 8  | 19'-6 1/4" | 16'-7 3/4"  | 9'-11 1/4"  | 14'-2 3/4" |
| 9  | 16'-2 3/4" | 18'-7 1/4"  | 13'-10 1/4" | 10'-5 3/4" |
| 10 | 13'-7 1/4" | 22'-6 3/4"  | 18'-10"     | 5'-6 3/4"  |
| A  | -          | 24'-1 3/4"  | 27'-10 3/4" | 14'-0"     |

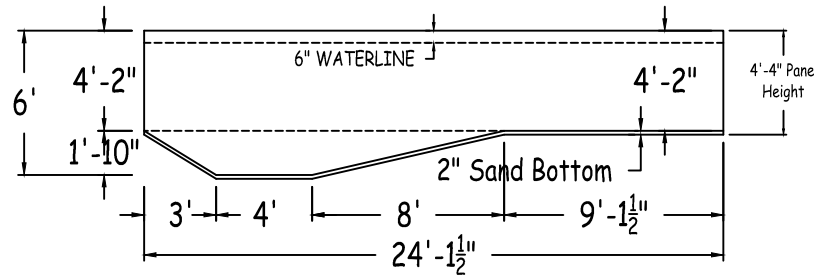
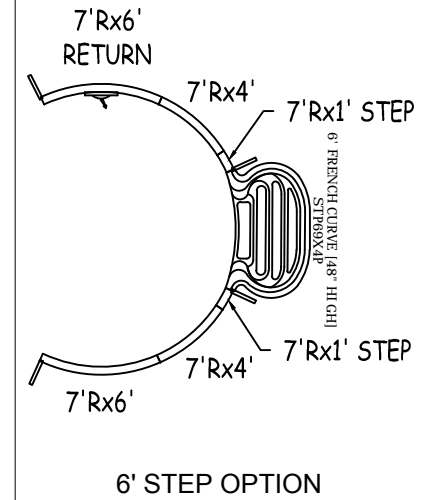
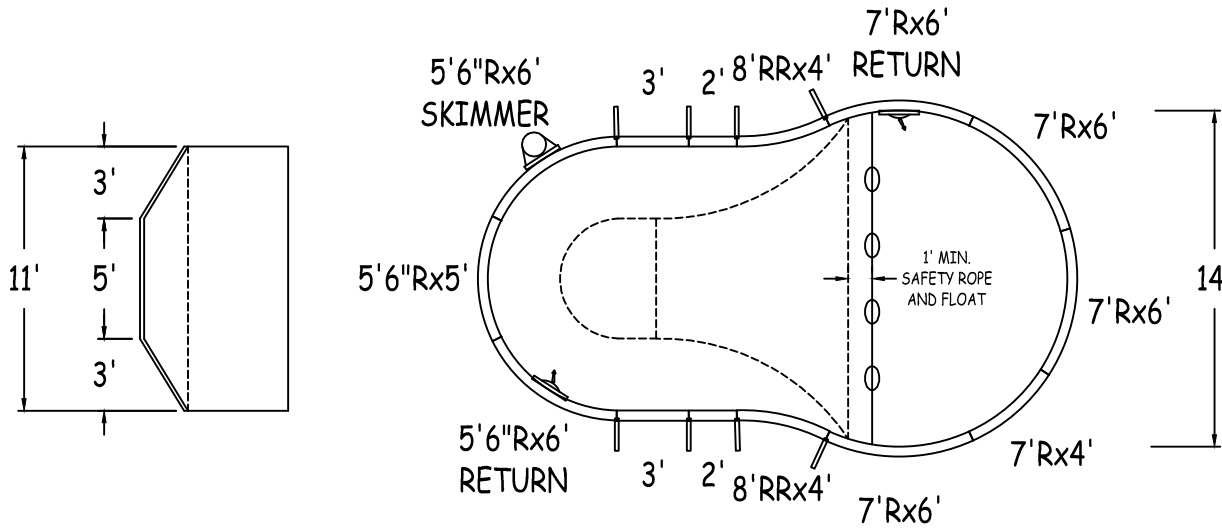
KEY-FLAT BOTTOM 11-0 X 14-0 X 24-2

DWG #: B5KYFBS1424-15

DATE: 1/1/2015

SHEET: 2 OF 2

IN ACCORDANCE WITH ANSI/APSP/ICC-5 2011, THE INSTALLER IS RESPONSIBLE FOR PLACING ONE SKIMMER FOR EVERY 800 SQUARE FEET OF SURFACE AREA AND ONE RETURN FOR EVERY 300 SQUARE FEET OF SURFACE AREA.

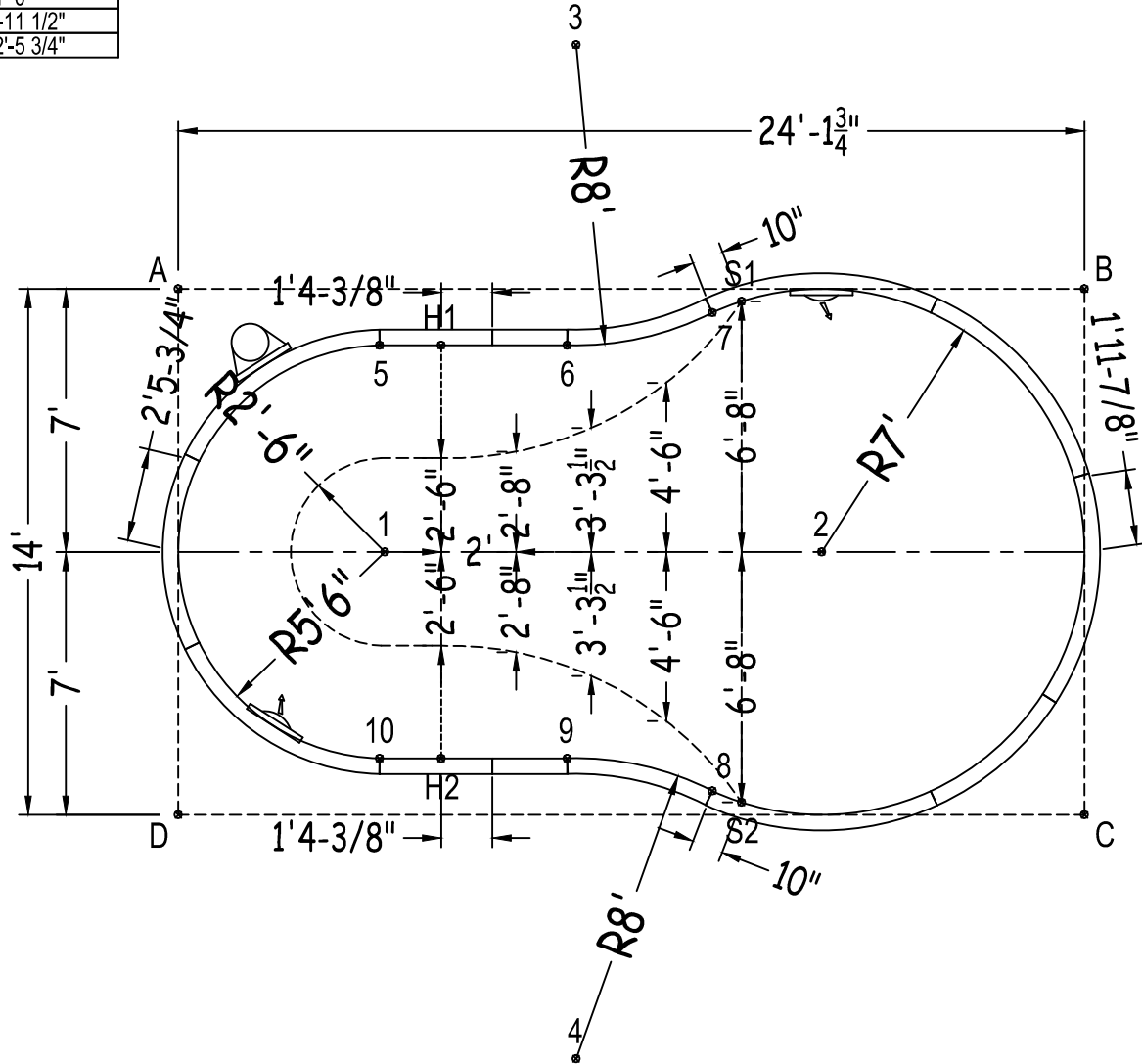


|                                 |   |                   |                       |  |   |                    |
|---------------------------------|---|-------------------|-----------------------|--|---|--------------------|
| <b>Bartop</b><br>OG Pool System | <b>KEY-6' HOPPER 11-0 X 14-0 X 24-2</b> |                   |                       | ALWAYS ENTER POOL<br><br><b>Foot First</b> | <b>NON-DIVING POOL</b>                                      |                    |
|                                 | 52" STEEL PANELS                        | PERIMETER: 63'-0" | VOLUME (US Gal): 8400 |  | DWG#: B5KYHPS1424-15  | SURFACE (ft²): 262 |
| KIT#: KYHPS1424                 | COVER (ft²): 418                        | DATE: 1/1/2015    | DSR:                  | SCALE: 1/8" = 1'-0"                        | MEETS DEPTH AND SHAPE MINIMUM STANDARD ANSI/APSP/ICC-5 2011 |                    |

**KEY-6' HOPPER**

SHEET: 1 OF 2

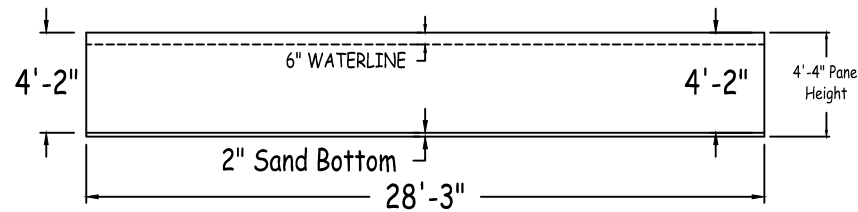
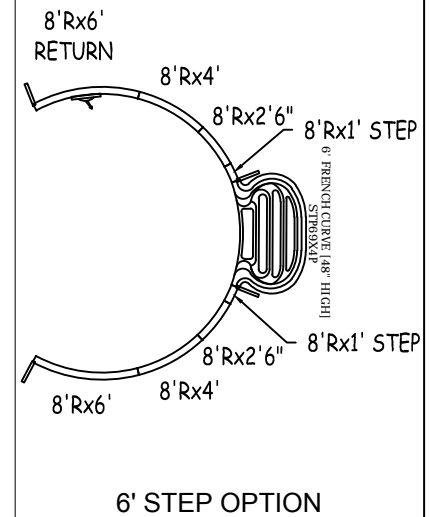
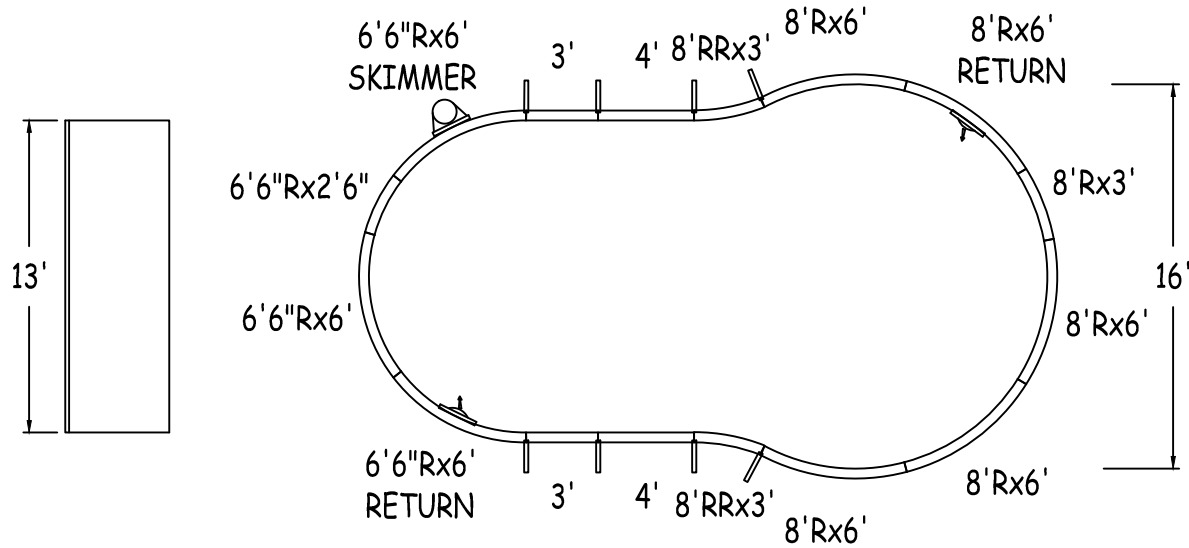
|                  |            |         |            |
|------------------|------------|---------|------------|
| Center To Center | 6 To 9     | 11'-0"  |            |
| 1 To 2           | 11'-7 3/4" | 6 To 10 | 12'-1"     |
| 1 To 3           | 14'-5"     | 7 To 8  | 12'-8 3/4" |
| 1 To 4           | 14'-5"     | 7 To 9  | 12'-5 3/4" |
| 2 To 3           | 15'-0"     | 7 To 10 | 14'-9 3/4" |
| 2 To 4           | 15'-0"     | 8 To 9  | 3'-11 1/2" |
| 3 To 4           | 27'-0"     | 8 To 10 | 8'-10 3/4" |
| Diagonals        | 9 To 10    | 5'-0"   |            |
| 5 To 6           | 5'-0"      |         |            |
| 5 To 7           | 8'-10 3/4" |         |            |
| 5 To 8           | 14'-9 3/4" |         |            |
| 5 To 9           | 12'-1"     |         |            |
| 5 To 10          | 11'-0"     |         |            |
| 6 To 7           | 3'-11 1/2" |         |            |
| 6 To 8           | 12'-5 3/4" |         |            |



| Part number    | Description                        | Base |     | Option 1 |     |
|----------------|------------------------------------|------|-----|----------|-----|
|                |                                    | QTY  | QTY | QTY      | QTY |
| ST0360000X     | 3'                                 |      | 2   | 2        |     |
| ST0240000X     | 2'                                 |      | 2   | 2        |     |
| RA0720840X     | 7'Rx6'                             |      | 3   | 1        |     |
| RA0720840*     | 7'Rx6' RETURN                      |      | 1   | 1        |     |
| RA0480840X     | 7'Rx4'                             |      | 1   | 2        |     |
| RA0120840S     | 7'Rx1' STEP                        |      | -   | 2        |     |
| RA0720660*     | 5'6"Rx6' SKIMMER                   |      | 1   | 1        |     |
| RA0720660*     | 5'6"Rx6' RETURN                    |      | 1   | 1        |     |
| RA0600660X     | 5'6"Rx5'                           |      | 1   | 1        |     |
| RA072102SC     | 6'0"X4" STEP CONNECTOR             |      | -   | 1        |     |
| RR0480960X     | 8'RRx4'                            |      | 2   | 2        |     |
| Brace          | Brace                              |      | 8   | 10       |     |
| IPC-DRVSTK12G  | BRACE COMP D-STK 3"X24" 90D 12G    |      | 8   | 10       |     |
| IPC-BT52WCS-2  | COMPRESSION STRAP 2PC              |      | 28  | 32       |     |
| IPC-STKPK25    | REBAR STAKE 18" 25PC               |      | 1   | 2        |     |
| IPC-HDWSTRT150 | BOLT STR 3/8-16X1" C/W NUT 150PC   |      | 1   | 2        |     |
| STP69X4P       | ACRYLIC STEP FRENCH CURVE 6" (48") |      | -   | 1        |     |

|    | A          | B           | C           | D          |
|----|------------|-------------|-------------|------------|
| 1  | 8'-10 3/4" | 19'-11"     | 19'-11"     | 8'-10 3/4" |
| 2  | 18'-6 1/4" | 9'-10 3/4"  | 9'-10 3/4"  | 18'-6 1/4" |
| 3  | 12'-5"     | 15'-1 1/4"  | 24'-6 3/4"  | 23'-3 1/4" |
| 4  | 23'-3 1/4" | 24'-6 3/4"  | 15'-1 1/4"  | 12'-5"     |
| 5  | 5'-6 3/4"  | 18'-10"     | 22'-6 3/4"  | 13'-7 1/4" |
| 6  | 10'-5 3/4" | 13'-10 1/4" | 18'-7 1/4"  | 16'-2 3/4" |
| 7  | 14'-2 3/4" | 9'-11 1/4"  | 16'-7 3/4"  | 19'-6 1/4" |
| 8  | 19'-6 1/4" | 16'-7 3/4"  | 9'-11 1/4"  | 14'-2 3/4" |
| 9  | 16'-2 3/4" | 18'-7 1/4"  | 13'-10 1/4" | 10'-5 3/4" |
| 10 | 13'-7 1/4" | 22'-6 3/4"  | 18'-10"     | 5'-6 3/4"  |
| S2 | 20'-3 1/2" | 16'-5 1/4"  | 9'-1 3/4"   | 15'-0"     |
| S1 | 15'-0"     | 9'-1 3/4"   | 16'-5 1/4"  | 20'-3 1/2" |
| H2 | 14'-4"     | 21'-2 1/2"  | 17'-2 1/2"  | 7'-2"      |
| H1 | 7'-2"      | 17'-2 1/2"  | 21'-2 1/2"  | 14'-4"     |
| A  | -          | 24'-1 3/4"  | 27'-10 3/4" | 14'-0"     |

IN ACCORDANCE WITH ANSI/APSP/ICC-5 2011, THE INSTALLER IS RESPONSIBLE FOR PLACING ONE SKIMMER FOR EVERY 800 SQUARE FEET OF SURFACE AREA AND ONE RETURN FOR EVERY 300 SQUARE FEET OF SURFACE AREA.

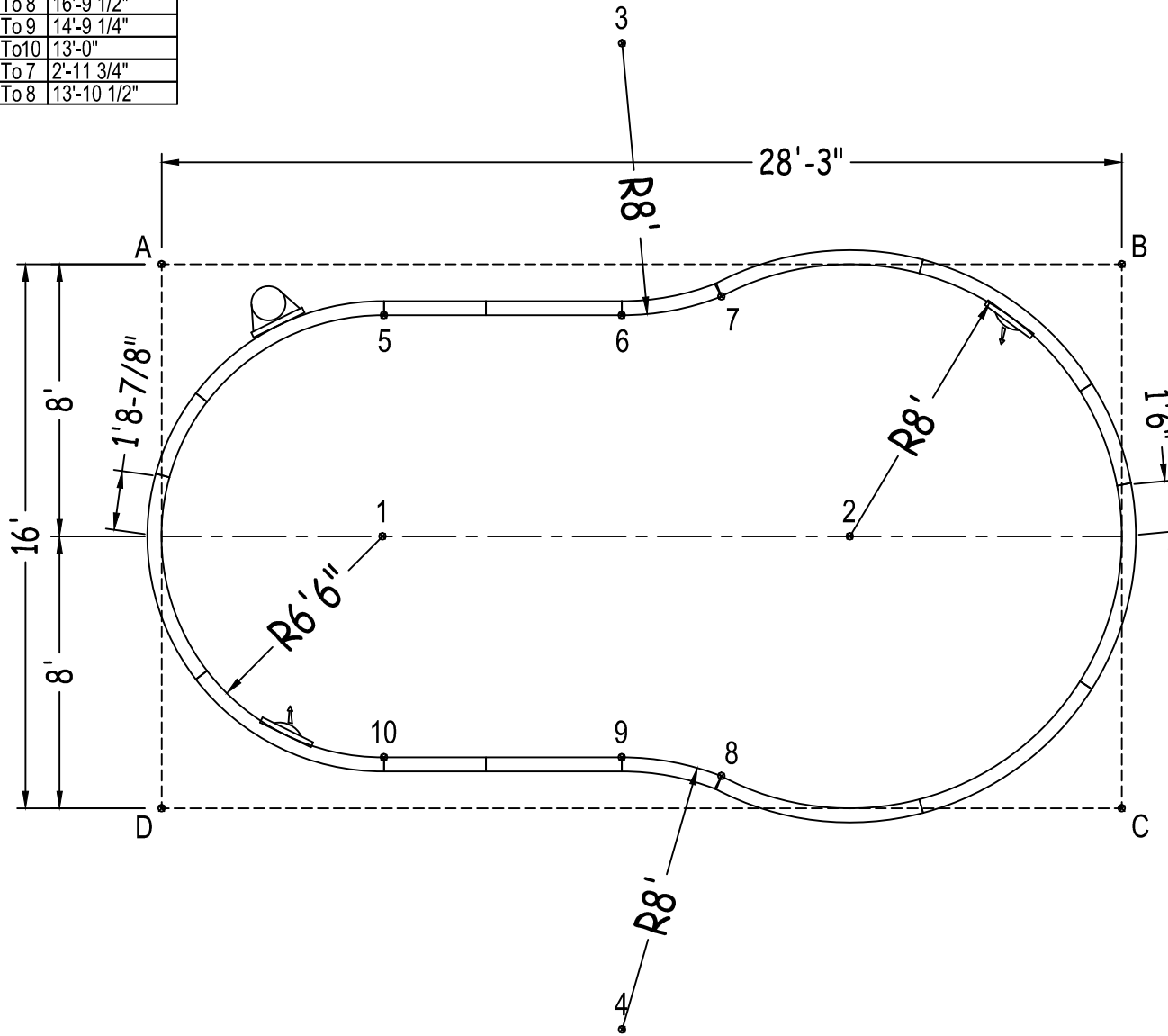


|                                 |                                    |                        |                       |      |  |                 |                                       |
|---------------------------------|------------------------------------|------------------------|-----------------------|------|--|-----------------|---------------------------------------|
| <b>Bartop</b><br>OG Pool System | KEY-FLAT BOTTOM 13-0 X 16-0 X 28-3 |                        |                       |      | ALWAYS ENTER POOL<br><br><b>Feet First</b>                     | NON-DIVING POOL |                                       |
|                                 | 52" STEEL PANELS                   | PERIMETER: 73'-6"      | VOLUME (US Gal): 9800 |      |  |                 | USE OF DIVING EQUIPMENT IS PROHIBITED |
| DWG#: B5KYFBS1628-15            | SURFACE (ft²): 356                 | VOLUME (Liters): 37100 | DATE: 1/1/2015        | DSR: |  |                 |                                       |
| KIT#: KYFBS1628                 | COVER (ft²): 544                   | SCALE: 1/8" = 1'-0"    |                       |      | MEETS DEPTH AND SHAPE MINIMUM<br>STANDARD ANSI/APSP/ICC-5 2011 |                 |                                       |

**KEY-FLAT BOTTOM**

SHEET: 1 OF 2

|                  |         |             |
|------------------|---------|-------------|
| Center To Center | 6 To 9  | 13'-0"      |
| 1 To 2           | 6 To 10 | 14'-9 1/4"  |
| 1 To 3           | 7 To 8  | 14'-1 1/4"  |
| 1 To 4           | 7 To 9  | 13'-10 1/2" |
| 2 To 3           | 7 To 10 | 16'-9 1/2"  |
| 2 To 4           | 8 To 9  | 2'-11 3/4"  |
| 3 To 4           | 8 To 10 | 9'-11 1/4"  |
| Diagonals        | 9 To 10 | 7'-0"       |
| 5 To 6           |         | 7'-0"       |
| 5 To 7           |         | 9'-11 1/4"  |
| 5 To 8           |         | 16'-9 1/2"  |
| 5 To 9           |         | 14'-9 1/4"  |
| 5 To 10          |         | 13'-0"      |
| 6 To 7           |         | 2'-11 3/4"  |
| 6 To 8           |         | 13'-10 1/2" |



| Part number    | Description                        | Base |     | Option 1 |     |
|----------------|------------------------------------|------|-----|----------|-----|
|                |                                    | QTY  | QTY | QTY      | QTY |
| ST0480000X     | 4'                                 |      | 2   | 2        |     |
| ST0360000X     | 3'                                 |      | 2   | 2        |     |
| RA0720960X     | 8'Rx6'                             |      | 4   | 1        |     |
| RA0720960*     | 8'Rx6' RETURN                      |      | 1   | 1        |     |
| RA0480960X     | 8'Rx4'                             |      | -   | 2        |     |
| RA0360960X     | 8'Rx3'                             |      | 1   | -        |     |
| RA0300960X     | 8'Rx2'6"                           |      | -   | 2        |     |
| RA0120960S     | 8'Rx1' STEP                        |      | -   | 2        |     |
| RA0720780X     | 6'6"Rx6'                           |      | 1   | 1        |     |
| RA0720780*     | 6'6"Rx6' SKIMMER                   |      | 1   | 1        |     |
| RA0720780*     | 6'6"Rx6' RETURN                    |      | 1   | 1        |     |
| RA0300780X     | 6'6"Rx2'6"                         |      | 1   | 1        |     |
| RA072102SC     | 6'0"X4" STEP CONNECTOR             |      | -   | 1        |     |
| RR0360960X     | 8'RRx3'                            |      | 2   | 2        |     |
| Brace          | Brace                              |      | 8   | 10       |     |
| IPC-DRVSTK12G  | BRACE COMP D-STK 3"X24" 90D 12G    |      | 8   | 10       |     |
| IPC-BT52WCS-2  | COMPRESSION STRAP 2PC              |      | 32  | 38       |     |
| IPC-STKPK25    | REBAR STAKE 18" 25PC               |      | 1   | 2        |     |
| IPC-HDWSTRT150 | BOLT STR 3/8-16X1" C/W NUT 150PC   |      | 2   | 2        |     |
| STP69X4P       | ACRYLIC STEP FRENCH CURVE 6' (48") |      | -   | 1        |     |

|    | A          | B           | C           | D          |
|----|------------|-------------|-------------|------------|
| 1  | 10'-3 3/4" | 23'-2"      | 23'-2"      | 10'-3 3/4" |
| 2  | 21'-9 1/4" | 11'-3 3/4"  | 11'-3 3/4"  | 21'-9 1/4" |
| 3  | 15'-1 1/4" | 16'-3/4"    | 26'-10 1/2" | 26'-3 1/4" |
| 4  | 26'-3 1/4" | 26'-10 1/2" | 16'-3/4"    | 15'-1 1/4" |
| 5  | 6'-8 1/2"  | 21'-9"      | 26'-1 1/4"  | 15'-11"    |
| 6  | 13'-7 1/2" | 14'-9 1/2"  | 20'-7 3/4"  | 19'-10"    |
| 7  | 16'-6"     | 11'-9 3/4"  | 19'-1 1/4"  | 22'-3 3/4" |
| 8  | 22'-3 3/4" | 19'-1 1/4"  | 11'-9 3/4"  | 16'-6"     |
| 9  | 19'-10"    | 20'-7 3/4"  | 14'-9 1/2"  | 13'-7 1/2" |
| 10 | 15'-11"    | 26'-1 1/4"  | 21'-9"      | 6'-8 1/2"  |
| A  | -          | 28'-3"      | 32'-5 1/2"  | 16'-0"     |

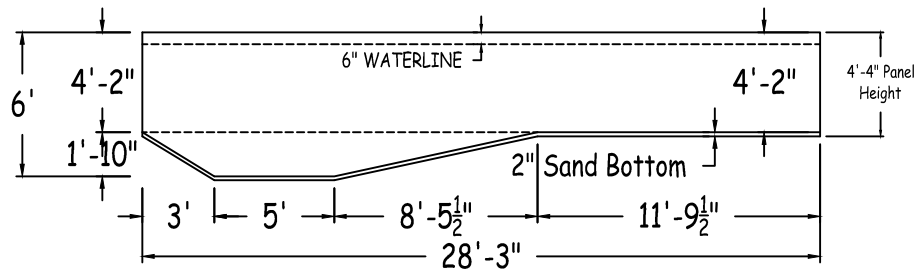
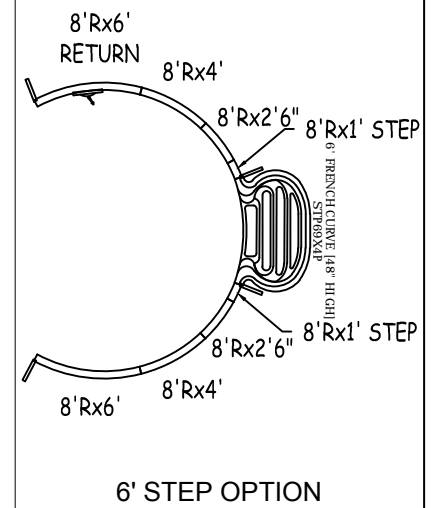
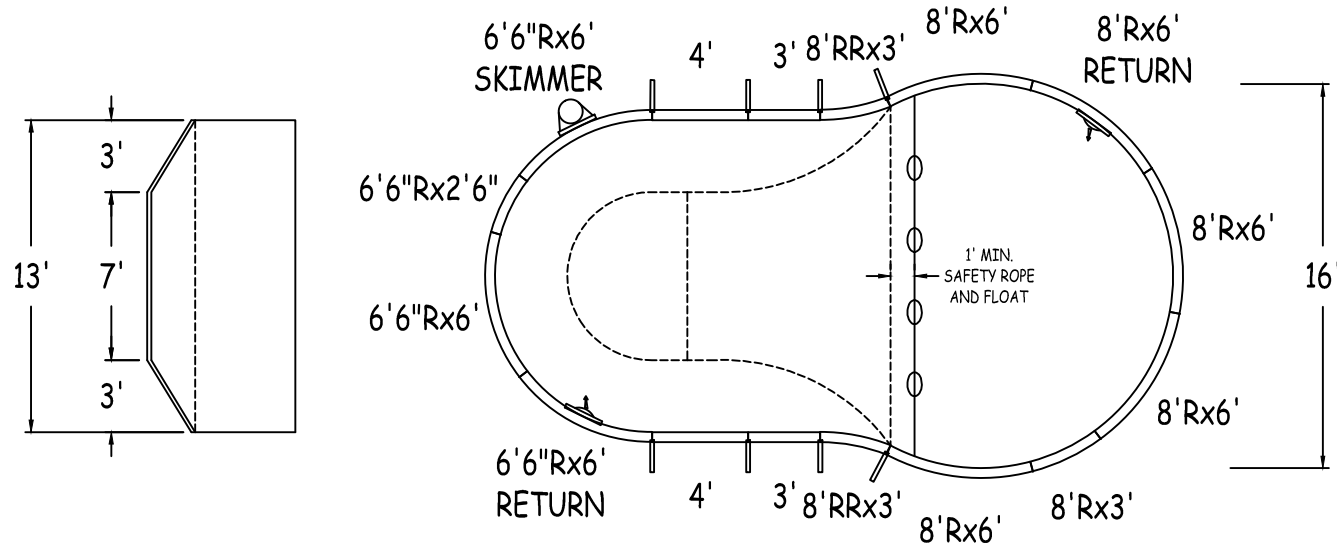
KEY-FLAT BOTTOM 13-0 X 16-0 X 28-3

DWG #: B5KYFBS1628-15

DATE: 1/1/2015

SHEET: 2 OF 2

IN ACCORDANCE WITH ANSI/APSP/ICC-5 2011, THE INSTALLER IS RESPONSIBLE FOR PLACING ONE SKIMMER FOR EVERY 800 SQUARE FEET OF SURFACE AREA AND ONE RETURN FOR EVERY 300 SQUARE FEET OF SURFACE AREA.

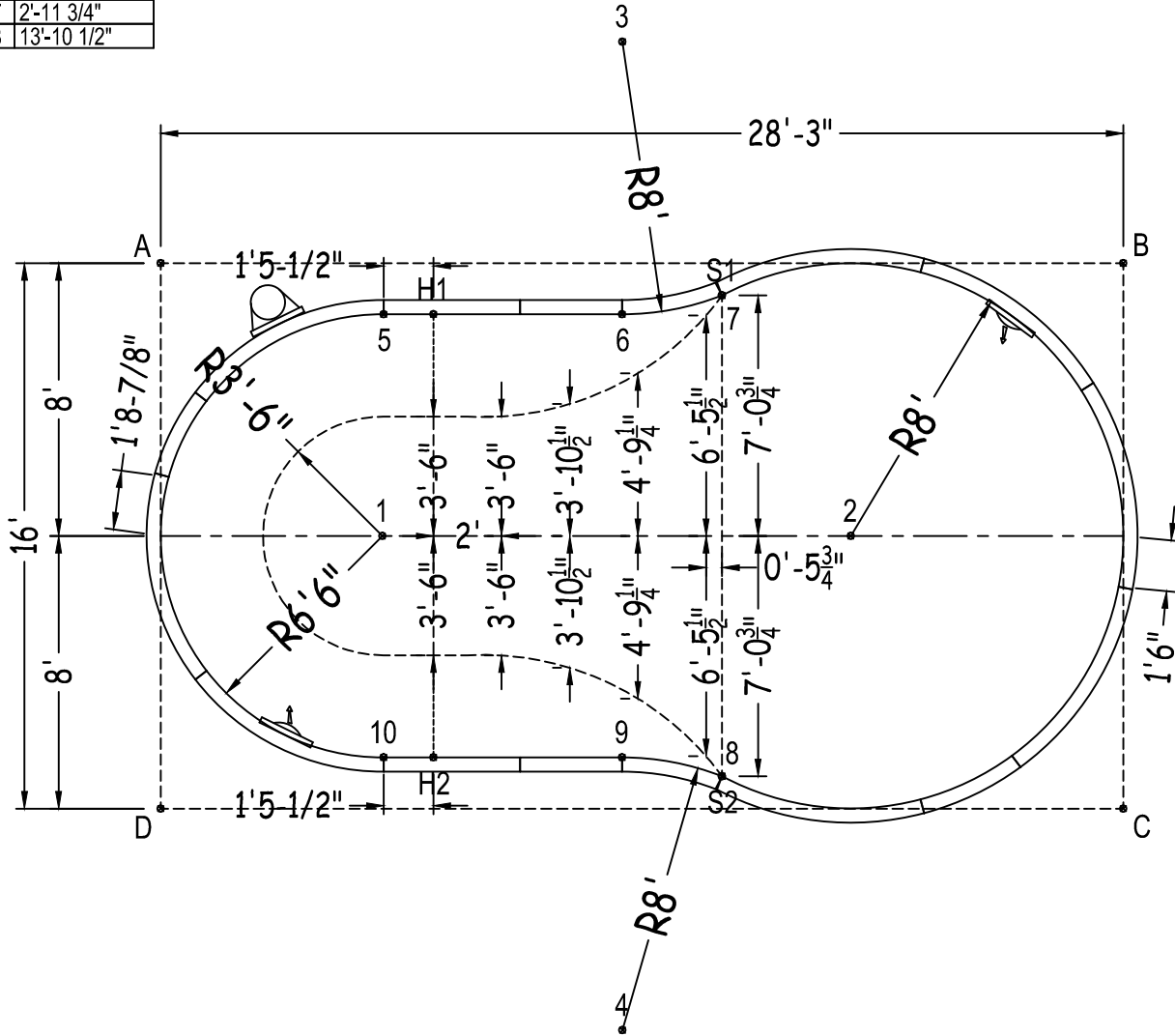


|                                 |   |                        |   |      |  |
|---------------------------------|---|------------------------|---|------|--|
| <b>Bartop</b><br>OG Pool System | <b>KEY-6' HOPPER 13-0 X 16-0 X 28-3</b> |                        |   |      | ALWAYS ENTER POOL<br><b>Feet First</b><br>NON-DIVING POOL<br>USE OF DIVING EQUIPMENT IS PROHIBITED |
|                                 | 52" STEEL PANELS                        | PERIMETER: 73'-6"      | VOLUME (US Gal): 11400                                      |      |  |
| DWG#: B5KYHPS1628-15            | SURFACE (ft²): 356                      | VOLUME (Liters): 43100 | DATE: 1/1/2015  | DSR: |  |
| KIT#: KYHPS1628                 | COVER (ft²): 544                        | SCALE: 1/8" = 1'-0"    | MEETS DEPTH AND SHAPE MINIMUM STANDARD ANSI/APSP/ICC-5 2011 |      |  |

**KEY-6' HOPPER**

SHEET: 1 OF 2

|                  |         |             |
|------------------|---------|-------------|
| Center To Center | 6 To 9  | 13'-0"      |
| 1 To 2           | 6 To 10 | 14'-9 1/4"  |
| 1 To 3           | 7 To 8  | 14'-1 1/4"  |
| 1 To 4           | 7 To 9  | 13'-10 1/2" |
| 2 To 3           | 7 To 10 | 16'-9 1/2"  |
| 2 To 4           | 8 To 9  | 2'-11 3/4"  |
| 3 To 4           | 8 To 10 | 9'-11 1/4"  |
| Diagonals        | 9 To 10 | 7'-0"       |
| 5 To 6           |         | 7'-0"       |
| 5 To 7           |         | 9'-11 1/4"  |
| 5 To 8           |         | 16'-9 1/2"  |
| 5 To 9           |         | 14'-9 1/4"  |
| 5 To 10          |         | 13'-0"      |
| 6 To 7           |         | 2'-11 3/4"  |
| 6 To 8           |         | 13'-10 1/2" |

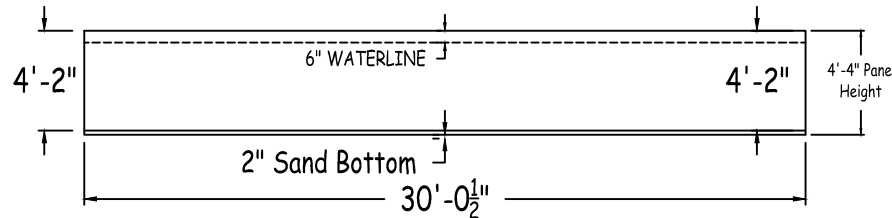
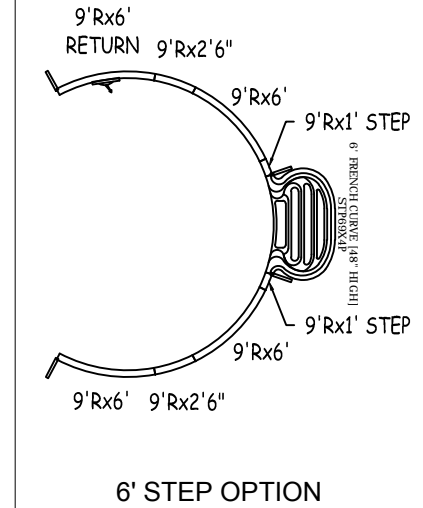
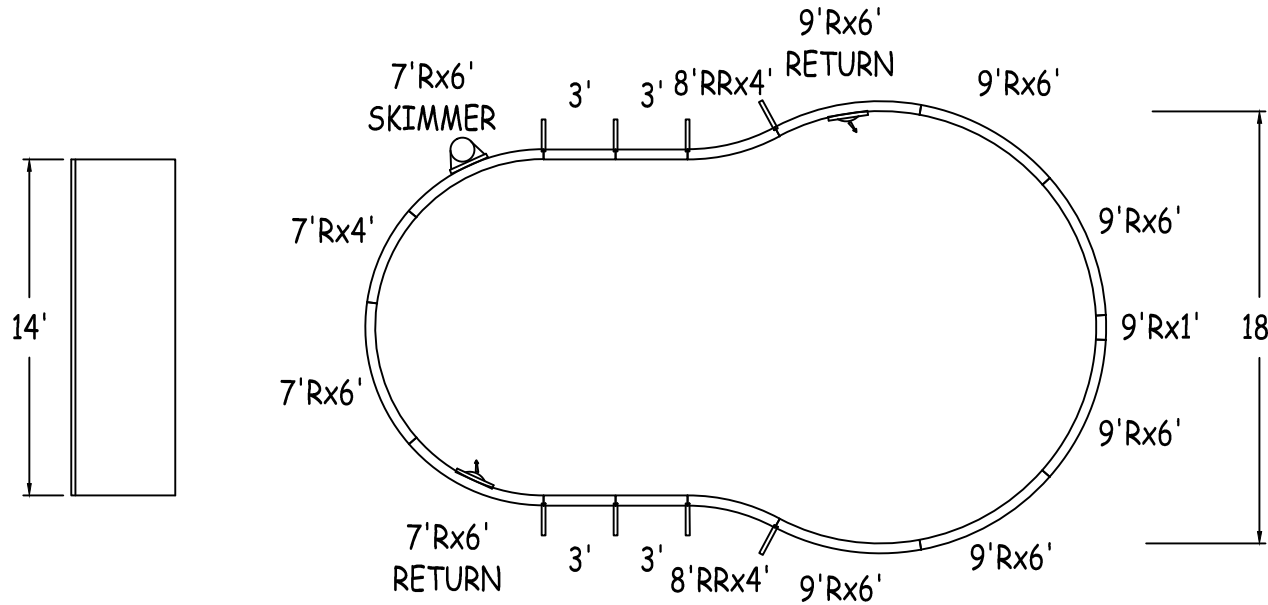


| Part number    | Description                        | Option 1 |          |
|----------------|------------------------------------|----------|----------|
|                |                                    | Base     | Option 1 |
| ST0480000X     | 4'                                 | 2        | 2        |
| ST0360000X     | 3'                                 | 2        | 2        |
| RA0720960X     | 8'Rx6'                             | 4        | 1        |
| RA0720960*     | 8'Rx6' RETURN                      | 1        | 1        |
| RA0480960X     | 8'Rx4'                             | -        | 2        |
| RA0360960X     | 8'Rx3'                             | 1        | -        |
| RA0300960X     | 8'Rx2'6"                           | -        | 2        |
| RA0120960S     | 8'Rx1' STEP                        | -        | 2        |
| RA0720780X     | 6'6"Rx6'                           | 1        | 1        |
| RA0720780*     | 6'6"Rx6' SKIMMER                   | 1        | 1        |
| RA0720780*     | 6'6"Rx6' RETURN                    | 1        | 1        |
| RA0300780X     | 6'6"Rx2'6"                         | 1        | 1        |
| RA072102SC     | 6'0"X4" STEP CONNECTOR             | -        | 1        |
| RR0360960X     | 8'RRx3'                            | 2        | 2        |
| Brace          | Brace                              | 8        | 10       |
| IPC-DRVSTK12G  | BRACE COMP D-STK 3"X24" 90D 12G    | 8        | 10       |
| IPC-BT52WCS-2  | COMPRESSION STRAP 2PC              | 32       | 38       |
| IPC-STKPK25    | REBAR STAKE 18" 25PC               | 1        | 2        |
| IPC-HDWSTRT150 | BOLT STR 3/8-16X1" C/W NUT 150PC   | 2        | 2        |
| STP69X4P       | ACRYLIC STEP FRENCH CURVE 6' (48") | -        | 1        |

|    | A          | B           | C           | D          |
|----|------------|-------------|-------------|------------|
| 1  | 10'-3 3/4" | 23'-2"      | 23'-2"      | 10'-3 3/4" |
| 2  | 21'-9 1/4" | 11'-3 3/4"  | 11'-3 3/4"  | 21'-9 1/4" |
| 3  | 15'-1 1/4" | 16'-3/4"    | 26'-10 1/2" | 26'-3 1/4" |
| 4  | 26'-3 1/4" | 26'-10 1/2" | 16'-3/4"    | 15'-1 1/4" |
| 5  | 6'-8 1/2"  | 21'-9"      | 26'-1 1/4"  | 15'-11"    |
| 6  | 13'-7 1/2" | 14'-9 1/2"  | 20'-7 3/4"  | 19'-10"    |
| 7  | 16'-6"     | 11'-9 3/4"  | 19'-1 1/4"  | 22'-3 3/4" |
| 8  | 22'-3 3/4" | 19'-1 1/4"  | 11'-9 3/4"  | 16'-6"     |
| 9  | 19'-10"    | 20'-7 3/4"  | 14'-9 1/2"  | 13'-7 1/2" |
| 10 | 15'-11"    | 26'-1 1/4"  | 21'-9"      | 6'-8 1/2"  |
| S2 | 22'-3 3/4" | 19'-1 1/4"  | 11'-9 3/4"  | 16'-6"     |
| S1 | 16'-6"     | 11'-9 3/4"  | 19'-1 1/4"  | 22'-3 3/4" |
| H2 | 16'-6 3/4" | 24'-10 3/4" | 20'-3 3/4"  | 8'-1 3/4"  |
| H1 | 8'-1 3/4"  | 20'-3 3/4"  | 24'-10 3/4" | 16'-6 3/4" |
| A  | -          | 28'-3"      | 32'-5 1/2"  | 16'-0"     |



IN ACCORDANCE WITH ANSI/APSP/ICC-5 2011, THE INSTALLER IS RESPONSIBLE FOR PLACING ONE SKIMMER FOR EVERY 800 SQUARE FEET OF SURFACE AREA AND ONE RETURN FOR EVERY 300 SQUARE FEET OF SURFACE AREA.

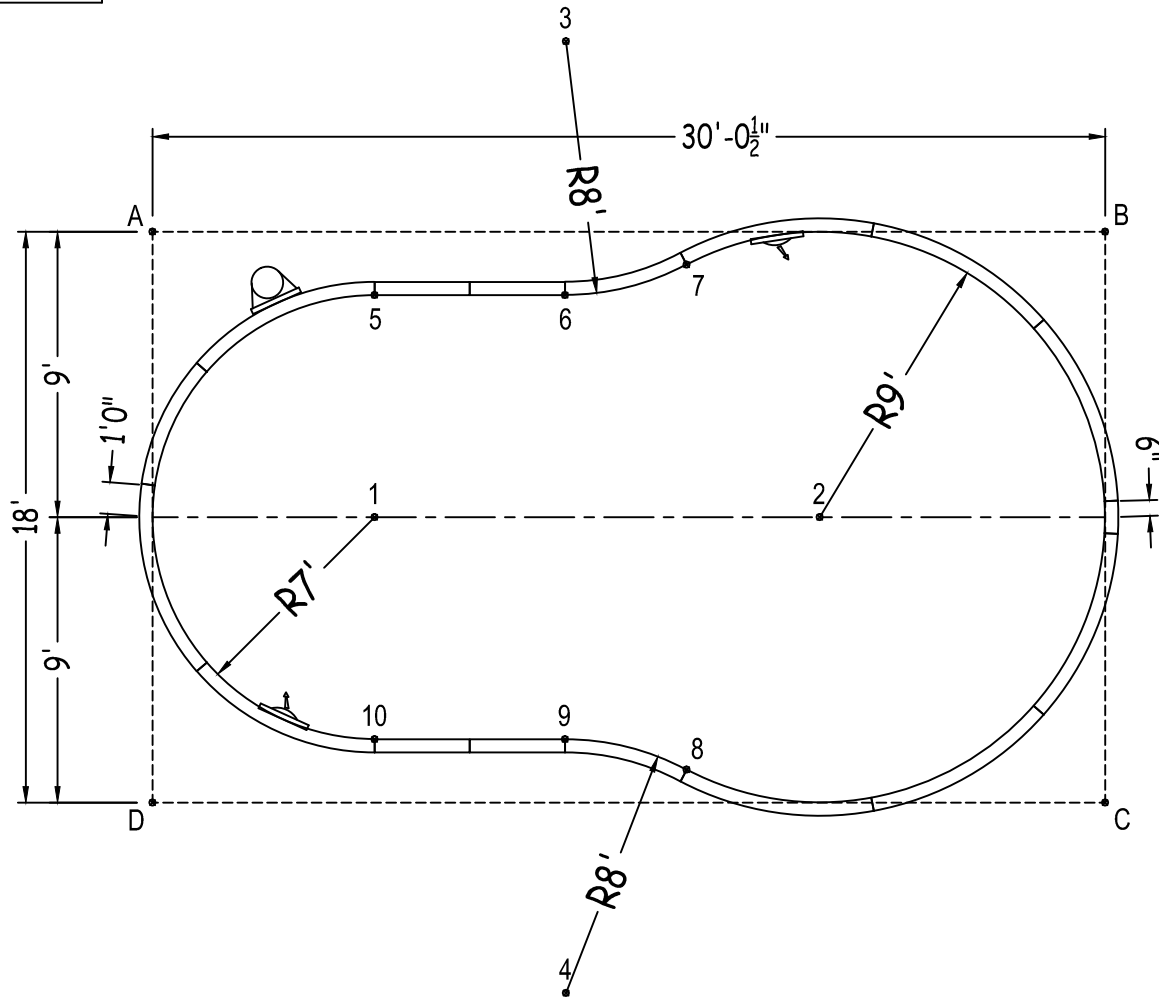


|                                 |                                    |                        |                        |      |  |                                       |  |
|---------------------------------|------------------------------------|------------------------|------------------------|------|--|---------------------------------------|--|
| <b>Bartop</b><br>OG Pool System | KEY-FLAT BOTTOM 14-0 X 18-0 X 30-1 |                        |                        |      | ALWAYS ENTER POOL<br>Feet First<br>MEETS DEPTH AND SHAPE MINIMUM STANDARD ANSI/APSP/ICC-5 2011 | NON-DIVING POOL                       |  |
|                                 | 52" STEEL PANELS                   | PERIMETER: 79'-0"      | VOLUME (US Gal): 11400 |      |  | USE OF DIVING EQUIPMENT IS PROHIBITED |  |
| DWG#: B5KYFBS1830-15            | SURFACE (ft²): 417                 | VOLUME (Liters): 43100 | DATE: 1/1/2015         | DSR: |  |                                       |  |
| KIT#: KYFBS1830                 | COVER (ft²): 641                   | SCALE: 1/8" = 1'-0"    |                        |      |  |                                       |  |

**KEY-FLAT BOTTOM**

SHEET: 1 OF 2

|                  |            |                   |
|------------------|------------|-------------------|
| Center To Center | 6 To 9     | 14'-0"            |
| 1 To 2           | 14'- 1/2"  | 6 To10 15'-2 3/4" |
| 1 To 3           | 16'-2"     | 7 To8 15'-11"     |
| 1 To 4           | 16'-2"     | 7 To9 15'-5 1/4"  |
| 2 To 3           | 17'-0"     | 7 To10 17'-11"    |
| 2 To 4           | 17'-0"     | 8 To9 3'-11 1/2"  |
| 3 To 4           | 30'-0"     | 8 To10 9'-10 3/4" |
| Diagonals        | 9 To10     | 6'-0"             |
| 5 To 6           | 6'-0"      |                   |
| 5 To 7           | 9'-10 3/4" |                   |
| 5 To 8           | 17'-11"    |                   |
| 5 To 9           | 15'-2 3/4" |                   |
| 5 To10           | 14'-0"     |                   |
| 6 To 7           | 3'-11 1/2" |                   |
| 6 To 8           | 15'-5 1/4" |                   |



| Part number    | Description                        | Base |     | Option 1 |     |
|----------------|------------------------------------|------|-----|----------|-----|
|                |                                    | QTY  | QTY | QTY      | QTY |
| ST0360000X     | 3'                                 |      | 4   | 4        |     |
| RA0721080X     | 9'Rx6'                             |      | 5   | 3        |     |
| RA0721080*     | 9'Rx6' RETURN                      |      | 1   | 1        |     |
| RA0301080X     | 9'Rx2'6"                           |      | -   | 2        |     |
| RA0121080X     | 9'Rx1'                             |      | 1   | -        |     |
| RA0121080S     | 9'Rx1' STEP                        |      | -   | 2        |     |
| RA0720840X     | 7'Rx6'                             |      | 1   | 1        |     |
| RA0720840*     | 7'Rx6' SKIMMER                     |      | 1   | 1        |     |
| RA0720840*     | 7'Rx6' RETURN                      |      | 1   | 1        |     |
| RA0480840X     | 7'Rx4'                             |      | 1   | 1        |     |
| RA072102SC     | 6'0"X4" STEP CONNECTOR             |      | -   | 1        |     |
| RR0480960X     | 8'RRx4'                            |      | 2   | 2        |     |
| Brace          | Brace                              |      | 8   | 10       |     |
| IPC-DRVSTK12G  | BRACE COMP D-STK 3"X24" 90D 12G    |      | 8   | 10       |     |
| IPC-BT52WCS-2  | COMPRESSION STRAP 2PC              |      | 34  | 38       |     |
| IPC-STKPK25    | REBAR STAKE 18" 25PC               |      | 1   | 2        |     |
| IPC-HDWSTRT150 | BOLT STR 3/8-16X1" C/W NUT 150PC   |      | 2   | 2        |     |
| STP69X4P       | ACRYLIC STEP FRENCH CURVE 6' (48") |      | -   | 1        |     |

|    | A           | B          | C          | D           |
|----|-------------|------------|------------|-------------|
| 1  | 11'-4 3/4"  | 24'-8 3/4" | 24'-8 3/4" | 11'-4 3/4"  |
| 2  | 22'-10 1/2" | 12'-8 3/4" | 12'-8 3/4" | 22'-10 1/2" |
| 3  | 14'-4 1/4"  | 18'- 1/4"  | 29'-5"     | 27'-3 3/4"  |
| 4  | 27'-3 3/4"  | 29'-5"     | 18'- 1/4"  | 14'-4 1/4"  |
| 5  | 7'-3 1/2"   | 23'-1 1/2" | 28'- 1/2"  | 17'-5 1/2"  |
| 6  | 13'-2"      | 17'-1 3/4" | 23'-4 1/2" | 20'-7 1/2"  |
| 7  | 16'-10 1/2" | 13'-2 3/4" | 21'-6"     | 23'-10 3/4" |
| 8  | 23'-10 3/4" | 21'-6"     | 13'-2 3/4" | 16'-10 1/2" |
| 9  | 20'-7 1/2"  | 23'-4 1/2" | 17'-1 3/4" | 13'-2"      |
| 10 | 17'-5 1/2"  | 28'- 1/2"  | 23'-1 1/2" | 7'-3 1/2"   |
| A  | -           | 30'- 1/2"  | 35'- 1/4"  | 18'-0"      |

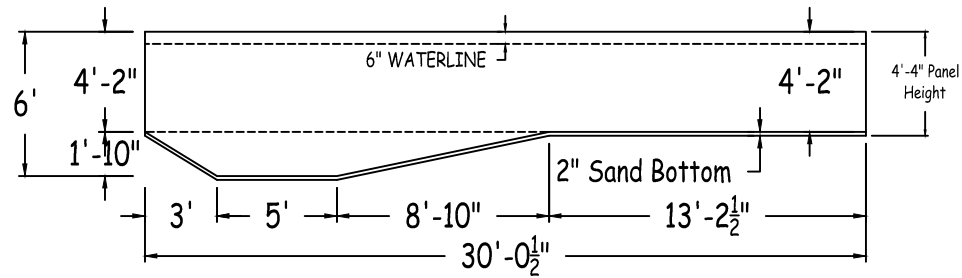
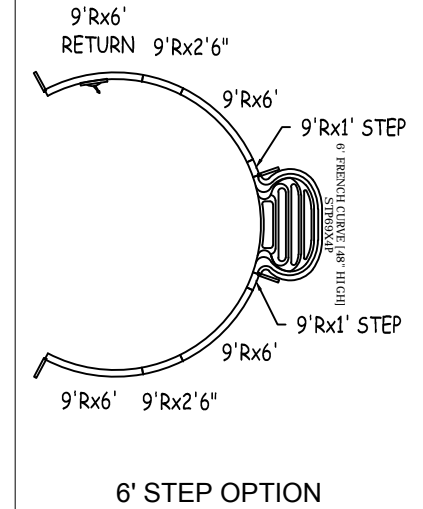
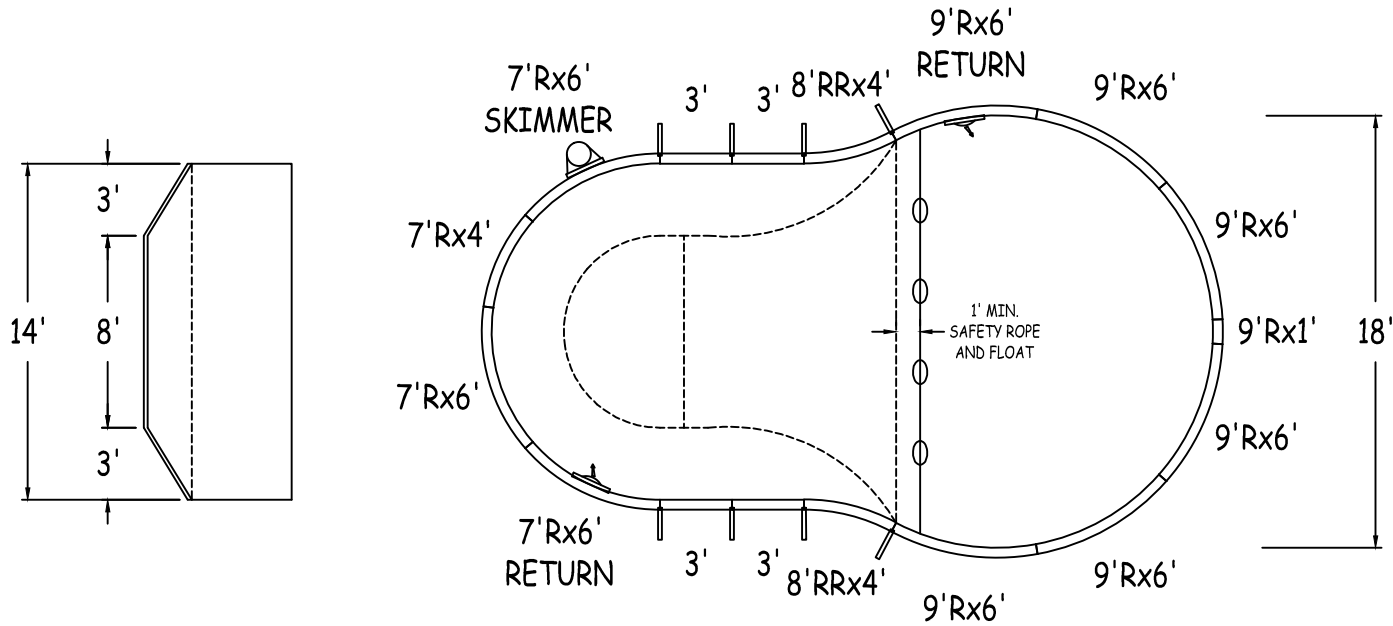
KEY-FLAT BOTTOM 14-0 X 18-0 X 30-1

DWG #: B5KYFBS1830-15

DATE: 1/1/2015

SHEET: 2 OF 2

IN ACCORDANCE WITH ANSI/APSP/ICC-5 2011, THE INSTALLER IS RESPONSIBLE FOR PLACING ONE SKIMMER FOR EVERY 800 SQUARE FEET OF SURFACE AREA AND ONE RETURN FOR EVERY 300 SQUARE FEET OF SURFACE AREA.



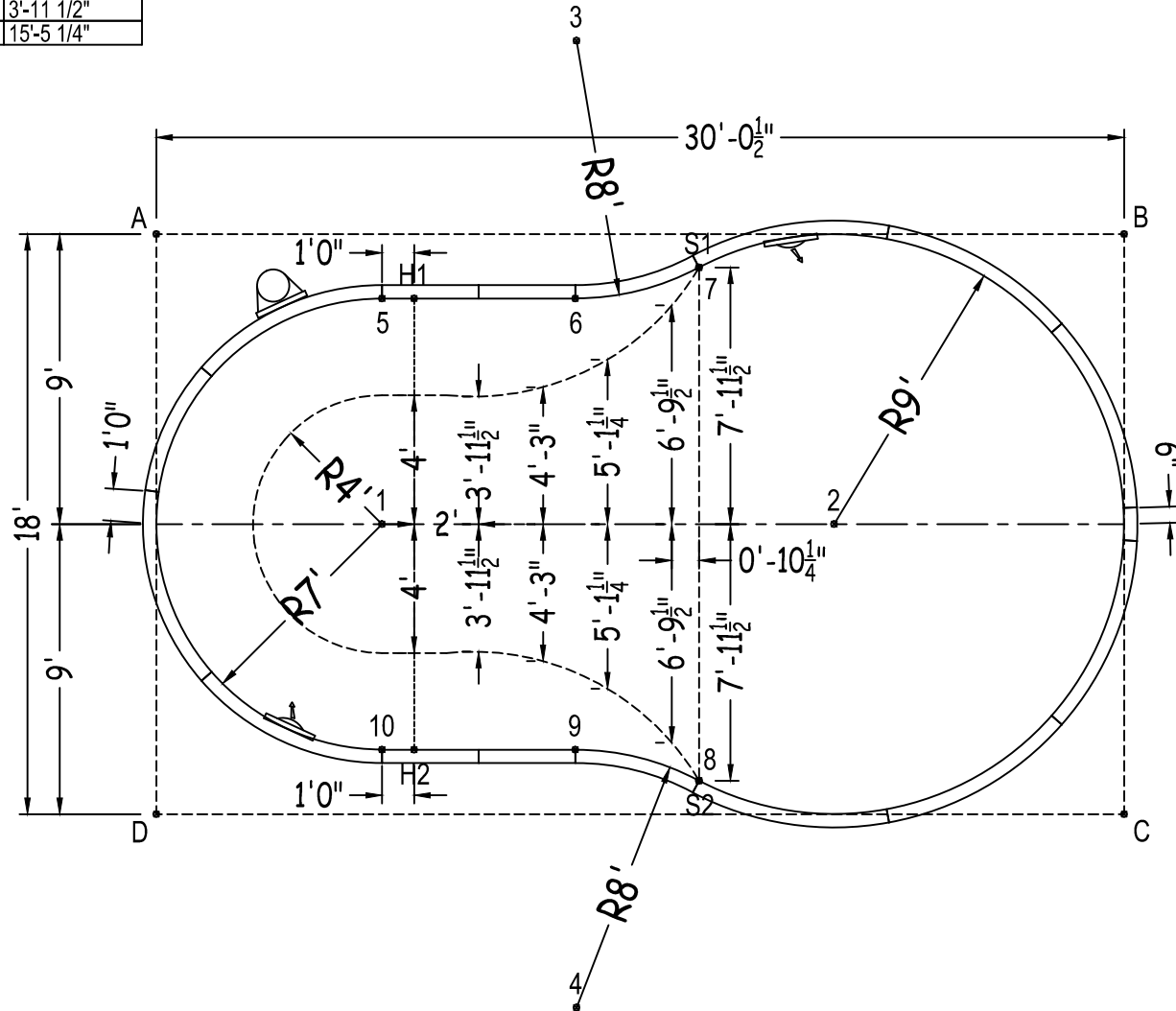
|                                 |   |                        |   |      |  |
|---------------------------------|---|------------------------|---|------|--|
| <b>Bartop</b><br>OG Pool System | <b>KEY-6' HOPPER 14-0 X 18-0 X 30-1</b> |                        |   |      | ALWAYS ENTER POOL<br><br><b>Feet First</b><br>NON-DIVING POOL<br>USE OF DIVING EQUIPMENT IS PROHIBITED |
|                                 | 52" STEEL PANELS                        | PERIMETER: 79'-0"      | VOLUME (US Gal): 13300                                      |      |  |
| DWG#: B5KYHPS1830-15            | SURFACE (ft²): 417                      | VOLUME (Liters): 50300 | DATE: 1/1/2015  | DSR: |  |
| KIT#: KYHPS1830                 | COVER (ft²): 641                        | SCALE: 1/8" = 1'-0"    | MEETS DEPTH AND SHAPE MINIMUM STANDARD ANSI/APSP/ICC-5 2011 |      |  |

**KEY-6' HOPPER**

SHEET: 1 OF 2

|                  |         |            |
|------------------|---------|------------|
| Center To Center | 6 To 9  | 14'-0"     |
| 1 To 2           | 6 To 10 | 15'-2 3/4" |
| 1 To 3           | 7 To 8  | 15'-11"    |
| 1 To 4           | 7 To 9  | 15'-5 1/4" |
| 2 To 3           | 7 To 10 | 17'-11"    |
| 2 To 4           | 8 To 9  | 3'-11 1/2" |
| 3 To 4           | 8 To 10 | 9'-10 3/4" |
| Diagonals        | 9 To 10 | 6'-0"      |
| 5 To 6           |         | 6'-0"      |
| 5 To 7           |         | 9'-10 3/4" |
| 5 To 8           |         | 17'-11"    |
| 5 To 9           |         | 15'-2 3/4" |
| 5 To 10          |         | 14'-0"     |
| 6 To 7           |         | 3'-11 1/2" |
| 6 To 8           |         | 15'-5 1/4" |

| Part number    | Description                        | Base |     | Option 1 |     |
|----------------|------------------------------------|------|-----|----------|-----|
|                |                                    | QTY  | QTY | QTY      | QTY |
| ST0360000X     | 3'                                 |      | 4   |          | 4   |
| RA0721080X     | 9'Rx6'                             |      | 5   |          | 3   |
| RA0721080*     | 9'Rx6' RETURN                      |      | 1   |          | 1   |
| RA0301080X     | 9'Rx2'6"                           |      | -   |          | 2   |
| RA0121080X     | 9'Rx1'                             |      | 1   |          | -   |
| RA0121080S     | 9'Rx1' STEP                        |      | -   |          | 2   |
| RA0720840X     | 7'Rx6'                             |      | 1   |          | 1   |
| RA0720840*     | 7'Rx6' SKIMMER                     |      | 1   |          | 1   |
| RA0720840*     | 7'Rx6' RETURN                      |      | 1   |          | 1   |
| RA0480840X     | 7'Rx4'                             |      | 1   |          | 1   |
| RA072102SC     | 6'0"X4" STEP CONNECTOR             |      | -   |          | 1   |
| RR0480960X     | 8'RRx4'                            |      | 2   |          | 2   |
| Brace          | Brace                              |      | 8   |          | 10  |
| IPC-DRVSTK12G  | BRACE COMP D-STK 3"X24" 90D 12G    |      | 8   |          | 10  |
| IPC-BT52WCS-2  | COMPRESSION STRAP 2PC              |      | 34  |          | 38  |
| IPC-STKPK25    | REBAR STAKE 18" 25PC               |      | 1   |          | 2   |
| IPC-HDWSTRT150 | BOLT STR 3/8-16X1" C/W NUT 150PC   |      | 2   |          | 2   |
| STP69X4P       | ACRYLIC STEP FRENCH CURVE 6' (48") |      | -   |          | 1   |



|    | A           | B          | C          | D           |
|----|-------------|------------|------------|-------------|
| 1  | 11'-4 3/4"  | 24'-8 3/4" | 24'-8 3/4" | 11'-4 3/4"  |
| 2  | 22'-10 1/2" | 12'-8 3/4" | 12'-8 3/4" | 22'-10 1/2" |
| 3  | 14'-4 1/4"  | 18'-1/4"   | 29'-5"     | 27'-3 3/4"  |
| 4  | 27'-3 3/4"  | 29'-5"     | 18'-1/4"   | 14'-4 1/4"  |
| 5  | 7'-3 1/2"   | 23'-1 1/2" | 28'-1/2"   | 17'-5 1/2"  |
| 6  | 13'-2"      | 17'-1 3/4" | 23'-4 1/2" | 20'-7 1/2"  |
| 7  | 16'-10 1/2" | 13'-2 3/4" | 21'-6"     | 23'-10 3/4" |
| 8  | 23'-10 3/4" | 21'-6"     | 13'-2 3/4" | 16'-10 1/2" |
| 9  | 20'-7 1/2"  | 23'-4 1/2" | 17'-1 3/4" | 13'-2"      |
| 10 | 17'-5 1/2"  | 28'-1/2"   | 23'-1 1/2" | 7'-3 1/2"   |
| S2 | 23'-10 3/4" | 21'-6"     | 13'-2 3/4" | 16'-10 1/2" |
| S1 | 16'-10 1/2" | 13'-2 3/4" | 21'-6"     | 23'-10 3/4" |
| H2 | 17'-10 3/4" | 27'-2 3/4" | 22'-1 1/2" | 8'-3"       |
| H1 | 8'-3"       | 22'-1 1/2" | 27'-2 3/4" | 17'-10 3/4" |
| A  | -           | 30'-1/2"   | 35'-1/4"   | 18'-0"      |