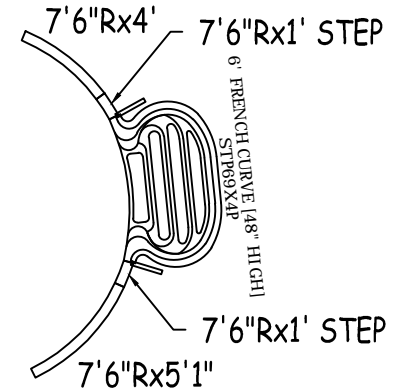
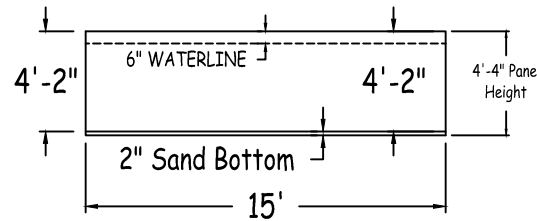
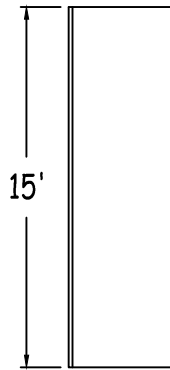
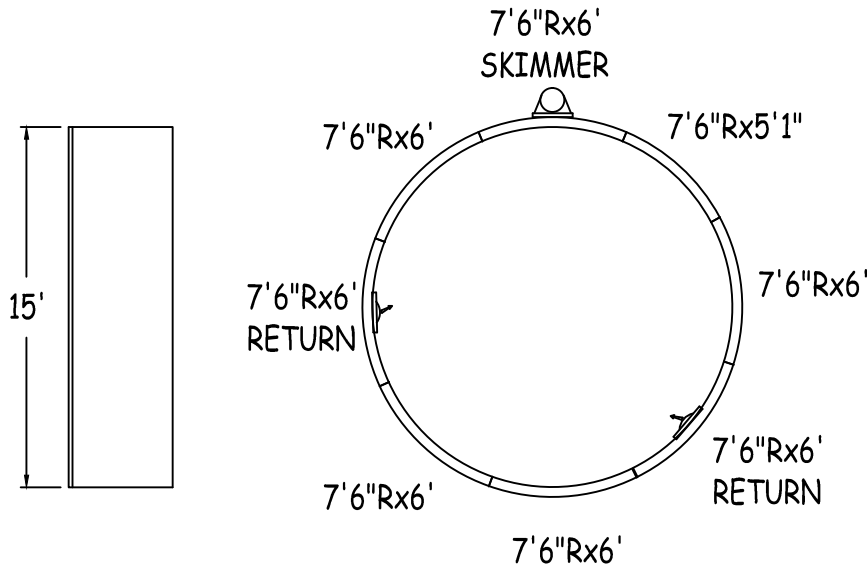


IN ACCORDANCE WITH ANSI/APSP/ICC-5 2011, THE INSTALLER IS RESPONSIBLE FOR PLACING ONE SKIMMER FOR EVERY 800 SQUARE FEET OF SURFACE AREA AND ONE RETURN FOR EVERY 300 SQUARE FEET OF SURFACE AREA.



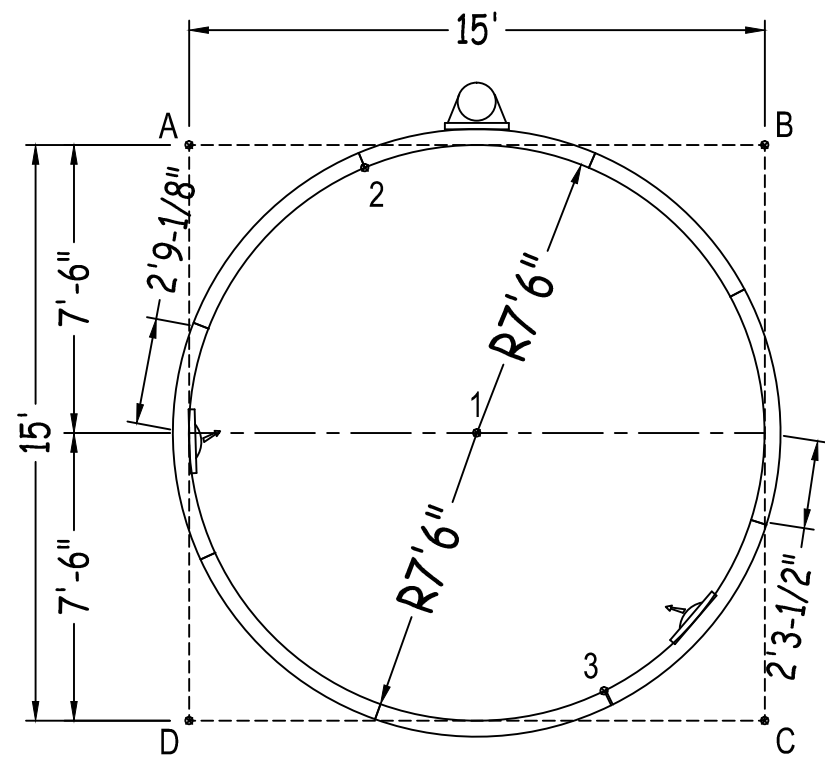
6" STEP OPTION

Bartop OG Pool System	ROUND 15-0 X 15-0			ALWAYS ENTER POOL Feet First	NON-DIVING POOL	
	52" STEEL PANELS	PERIMETER: 47'-1"	VOLUME (US Gal): 4800			
DWG#: B5ROFBS1515-15	SURFACE (ft²): 177	VOLUME (Liters): 18200	DATE: 1/1/2015	DSR:	USE OF DIVING EQUIPMENT IS PROHIBITED	
KIT#: ROFBS1515	COVER (ft²): 289	SCALE: 1/8" = 1'-0"	MEETS DEPTH AND SHAPE MINIMUM STANDARD ANSI/APSP/ICC-5 2011			



Diagonals
2 To 3 15'-0"

Part number	Description	Base		Option 1	
		QTY	QTY	QTY	QTY
RA0720900X	7'6"Rx6'			4	2
RA0720900*	7'6"Rx6' SKIMMER			1	1
RA0720900*	7'6"Rx6' RETURN			2	2
RA0610900X	7'6"Rx5'1"			1	1
RA0480900X	7'6"Rx4'			-	1
RA0120900S	7'6"Rx1' STEP			-	2
RA072102SC	6'0"X4" STEP CONNECTOR			-	1
Brace	Brace			-	2
IPC-BT52WCS-2	COMPRESSION STRAP 2PC			16	20
IPC-DRVSTK12G	BRACE COMP D-STK 3"X24" 90D 12G			-	2
IPC-STKPK25	REBAR STAKE 18" 25PC			1	1
IPC-HDWSTRT150	BOLT STR 3/8-16X1" C/W NUT 150PC			1	1
STP69X4P	ACRYLIC STEP FRENCH CURVE 6' (48")			-	1



	A	B	C	D
1	10'-7 1/4"	10'-7 1/4"	10'-7 1/4"	10'-7 1/4"
2	4'-7 1/2"	10'-5 1/4"	17'-9 1/2"	15'-1 1/2"
3	17'-10 1/2"	14'-10"	4'-3"	10'-10 1/4"
A	-	15'-0"	21'-2 1/2"	15'-0"

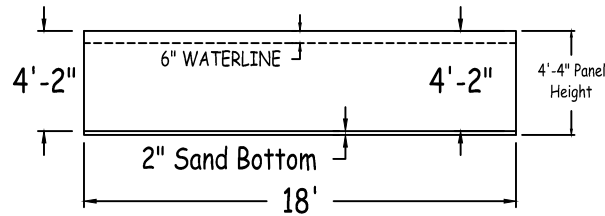
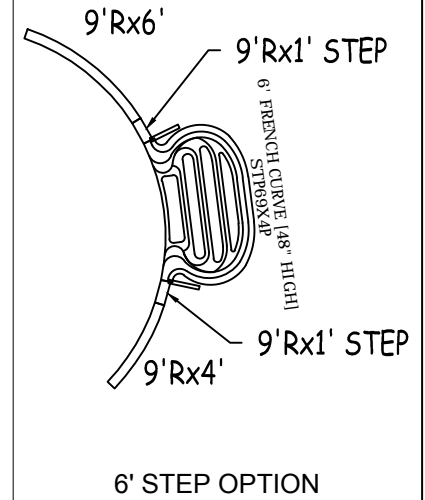
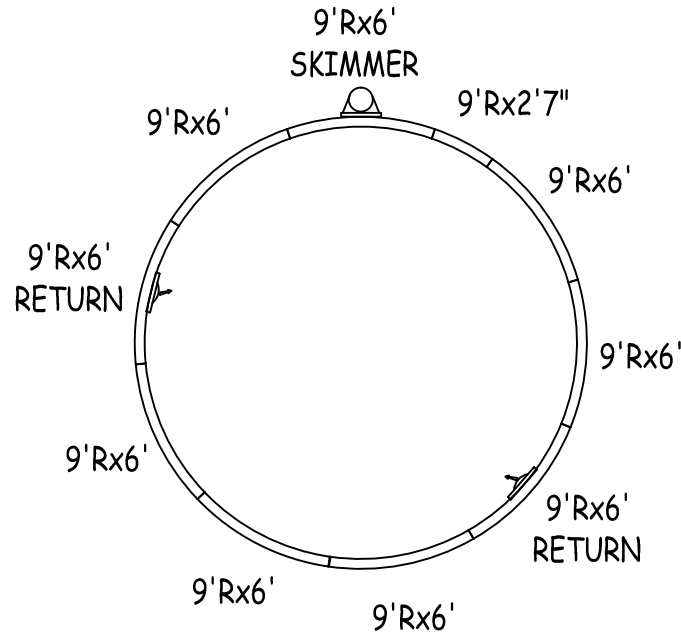
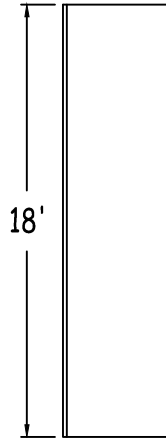
ROUND 15-0 X 15-0

DWG #: B5ROFBS1515-15

DATE: 1/1/2015

SHEET: 2 OF 2

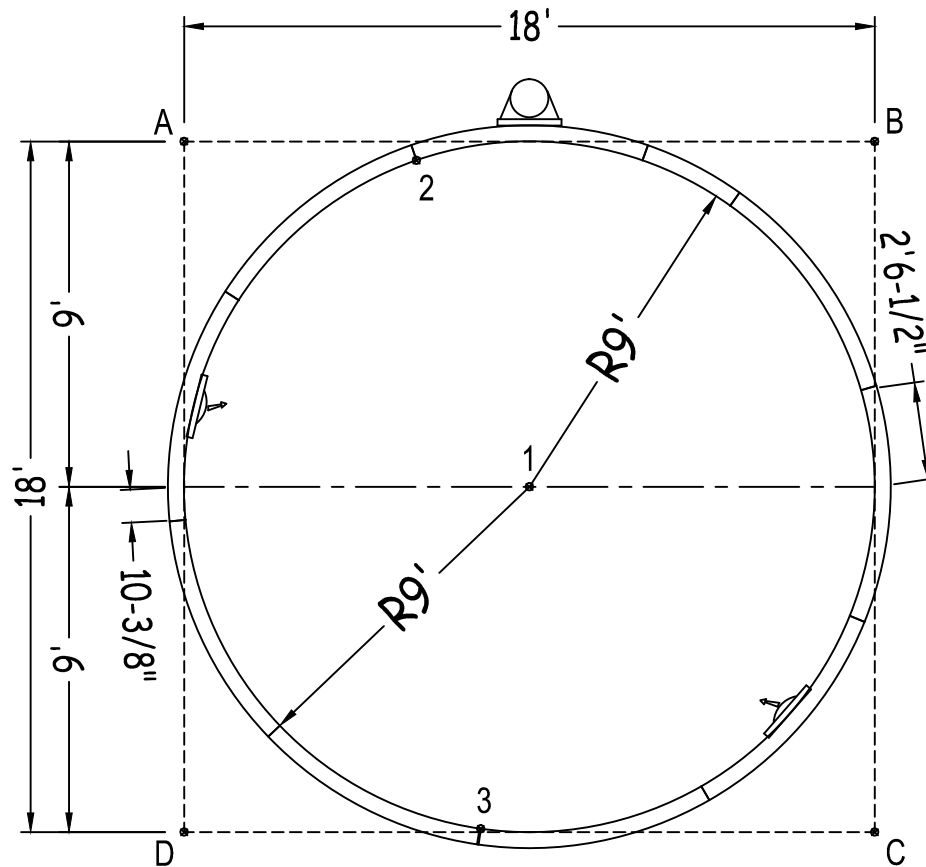
IN ACCORDANCE WITH ANSI/APSP/ICC-5 2011, THE INSTALLER IS RESPONSIBLE FOR PLACING ONE SKIMMER FOR EVERY 800 SQUARE FEET OF SURFACE AREA AND ONE RETURN FOR EVERY 300 SQUARE FEET OF SURFACE AREA.



Bartop OG Pool System	ROUND 18-0 X 18-0					NON-DIVING POOL	
	52" STEEL PANELS	PERIMETER: 56'-7"	VOLUME (US Gal): 7000			USE OF DIVING EQUIPMENT IS PROHIBITED	
DWG#: B5ROFBS1818-15	SURFACE (ft²): 254	VOLUME (Liters): 26500	DATE: 1/1/2015	DSR:	<small>MEETS DEPTH AND SHAPE MINIMUM STANDARD ANSI/APSP/ICC-5 2011</small>		
KIT#: ROFBS1818	LINER (ft²): 254	COVER (ft²): 400	SCALE: 1/8" = 1'-0"				



Diagonals
2 To 3 17'-6"



Part number	Description	Base		Option 1	
		QTY	QTY	QTY	QTY
RA0721080X	9'Rx6'			6	4
RA0721080*	9'Rx6' SKIMMER			1	1
RA0721080*	9'Rx6' RETURN			2	2
RA0481080X	9'Rx4'			-	1
RA0311080X	9'Rx2'7"			1	1
RA0121080S	9'Rx1' STEP			-	2
RA072102SC	6'0"X4" STEP CONNECTOR			-	1
Brace	Brace			-	2
IPC-BT52WCS-2	COMPRESSION STRAP 2PC			20	24
IPC-DRVSTK12G	BRACE COMP D-STK 3"X24" 90D 12G			-	2
IPC-STKPK25	REBAR STAKE 18" 25PC			1	1
IPC-HDWSTRT150	BOLT STR 3/8-16X1" C/W NUT 150PC			1	1
STP69X4P	ACRYLIC STEP FRENCH CURVE 6' (48")			-	1

	A	B	C	D
1	12'-8 3/4"	12'-8 3/4"	12'-8 3/4"	12'-8 3/4"
2	6'-1"	11'-11 1/2"	21'-2 1/4"	18'-6 1/4"
3	19'-6"	20'-7 3/4"	10'-3 1/4"	7'-8 3/4"
A	-	18'-0"	25'-5 1/2"	18'-0"

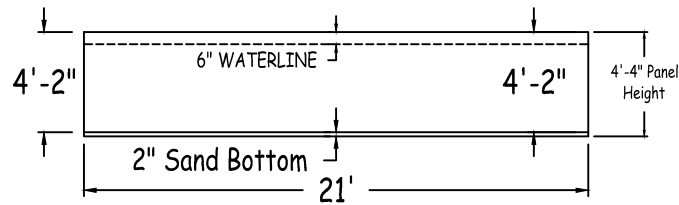
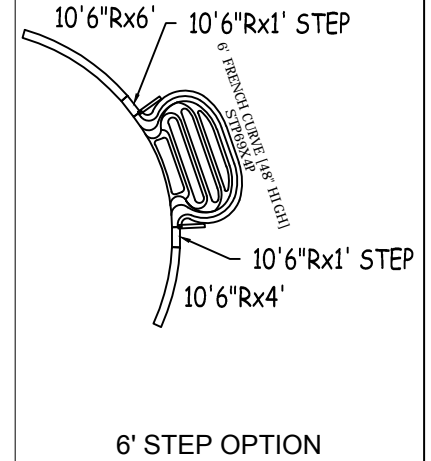
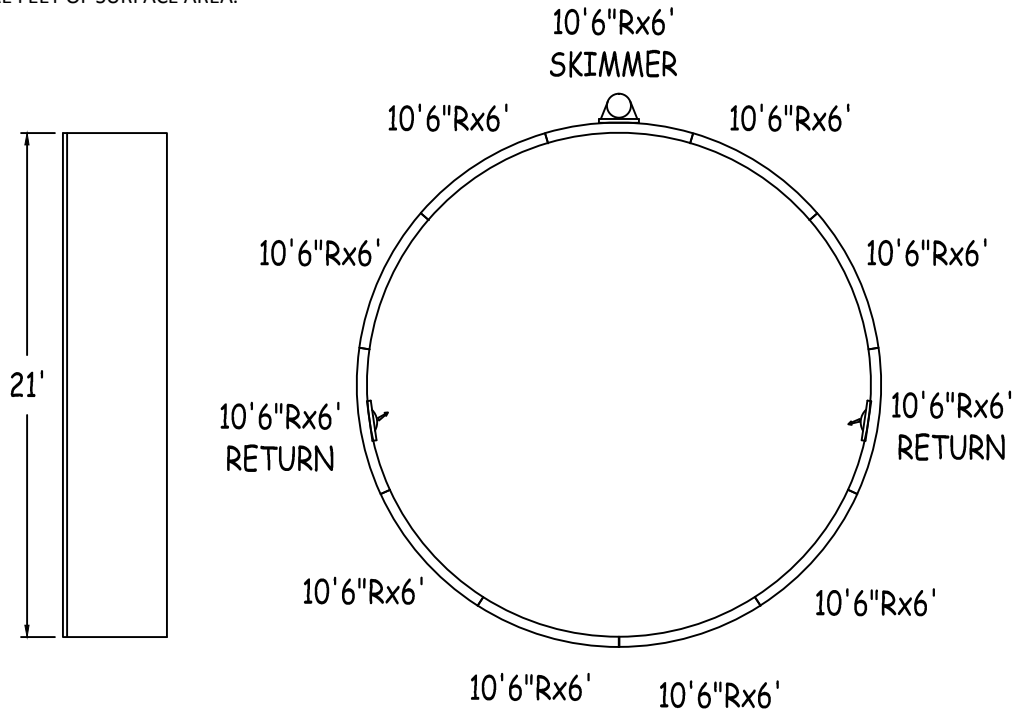
ROUND 18-0 X 18-0

DWG #: B5ROFBS1818-15

DATE: 1/1/2015

SHEET: 2 OF 2

IN ACCORDANCE WITH ANSI/APSP/ICC-5 2011, THE INSTALLER IS RESPONSIBLE FOR PLACING ONE SKIMMER FOR EVERY 800 SQUARE FEET OF SURFACE AREA AND ONE RETURN FOR EVERY 300 SQUARE FEET OF SURFACE AREA.



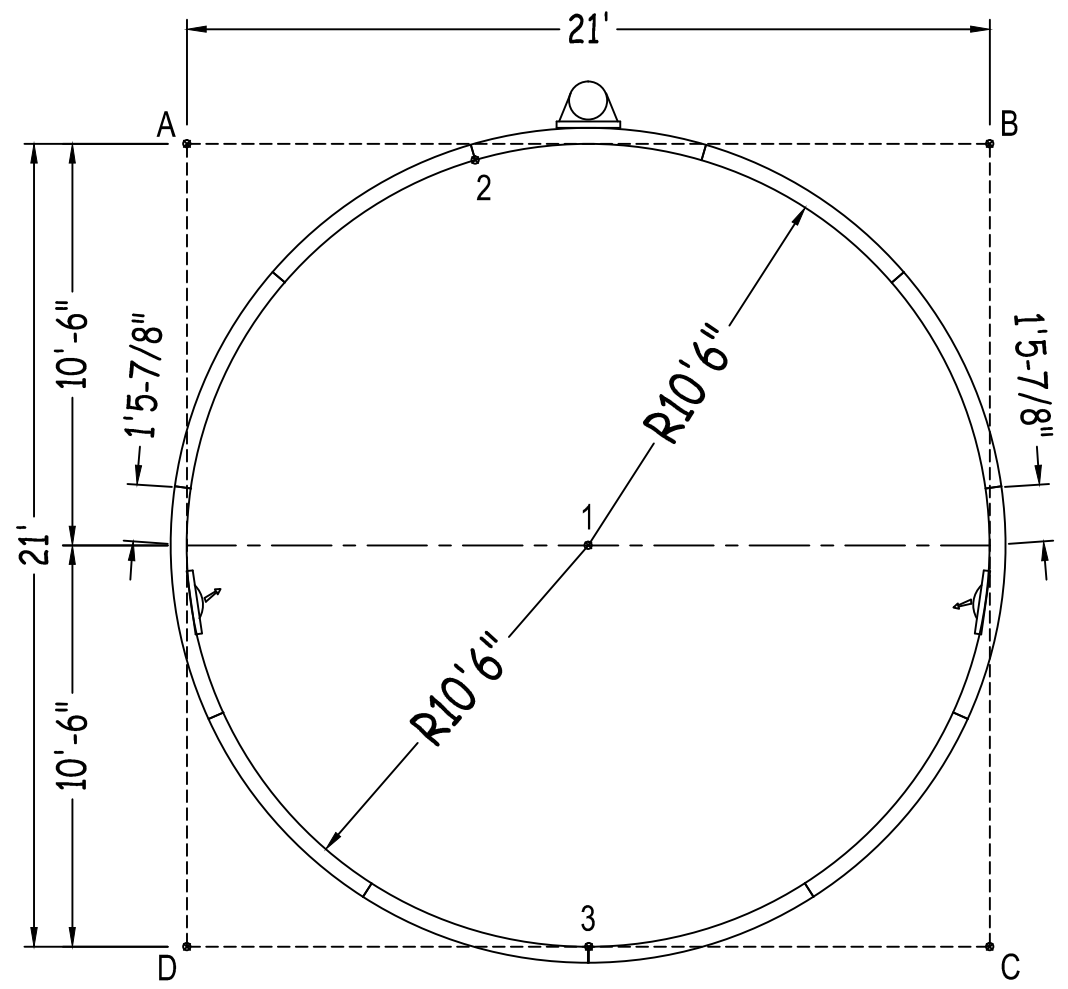
Bartop OG Pool System	ROUND 21-0 X 21-0					NON-DIVING POOL	
	52" STEEL PANELS	PERIMETER: 66'-0"	VOLUME (US Gal): 9500			USE OF DIVING EQUIPMENT IS PROHIBITED	
DWG#:	SURFACE (ft²): 346	VOLUME (Liters): 36000					
B5ROFBS2121-15	LINER (ft²): 346	DATE: 1/1/2015	DSR:				
KIT#:	ROFBS2121	COVER (ft²): 529	SCALE: 1/8" = 1'-0"	MEETS DEPTH AND SHAPE MINIMUM STANDARD ANSI/APSP/ICC-5 2011			



Diagonals
2 To 3 20'-9 1/2"

Base
Option 1

Part number	Description	QTY	QTY
RA0721260X	10'6"Rx6'	8	6
RA0721260*	10'6"Rx6' SKIMMER	1	1
RA0721260*	10'6"Rx6' RETURN	2	2
RA0481260X	10'6"Rx4'	-	1
RA0121260S	10'6"Rx1' STEP	-	2
RA072102SC	6'0"X4" STEP CONNECTOR	-	1
Brace	Brace	-	2
IPC-BT52WCS-2	COMPRESSION STRAP 2PC	22	26
IPC-DRVSTK12G	BRACE COMP D-STK 3"X24" 90D 12G	-	2
IPC-STKPK25	REBAR STAKE 18" 25PC	1	1
IPC-HDWSTRT150	BOLT STR 3/8-16X1" C/W NUT 150PC	1	1
STP69X4P	ACRYLIC STEP FRENCH CURVE 6' (48")	-	1



	A	B	C	D
1	14'-10 1/4"	14'-10 1/4"	14'-10 1/4"	14'-10 1/4"
2	7'-6 3/4"	13'-5 1/2"	24'-7"	21'-11"
3	23'-5 3/4"	23'-5 3/4"	10'-5 3/4"	10'-6 1/4"
A	-	21'-0"	29'-8 1/2"	21'-0"

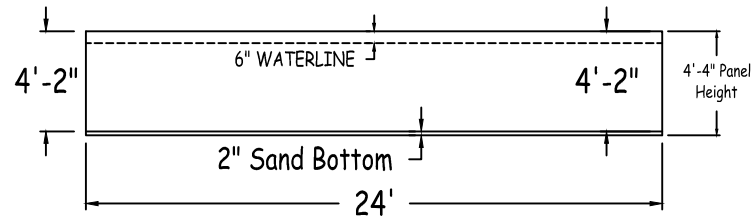
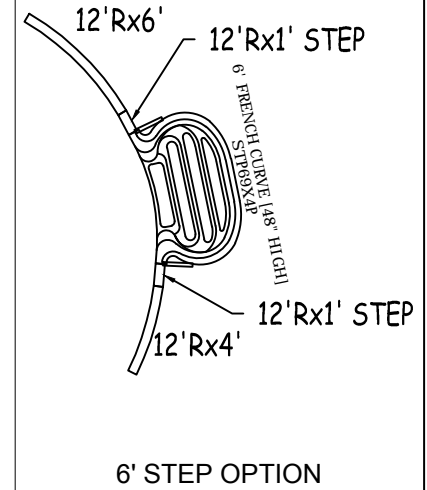
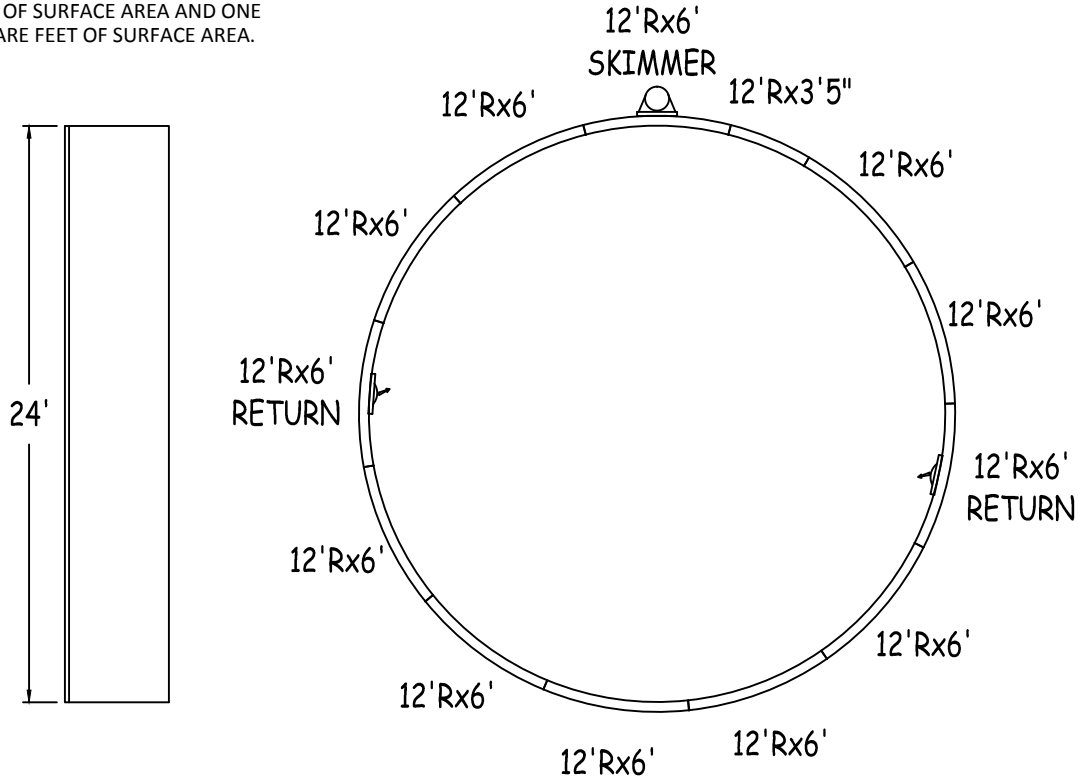
ROUND 21-0 X 21-0

DWG #: B5ROFBS2121-15

DATE: 1/1/2015

SHEET: 2 OF 2

IN ACCORDANCE WITH ANSI/APSP/ICC-5 2011, THE INSTALLER IS RESPONSIBLE FOR PLACING ONE SKIMMER FOR EVERY 800 SQUARE FEET OF SURFACE AREA AND ONE RETURN FOR EVERY 300 SQUARE FEET OF SURFACE AREA.



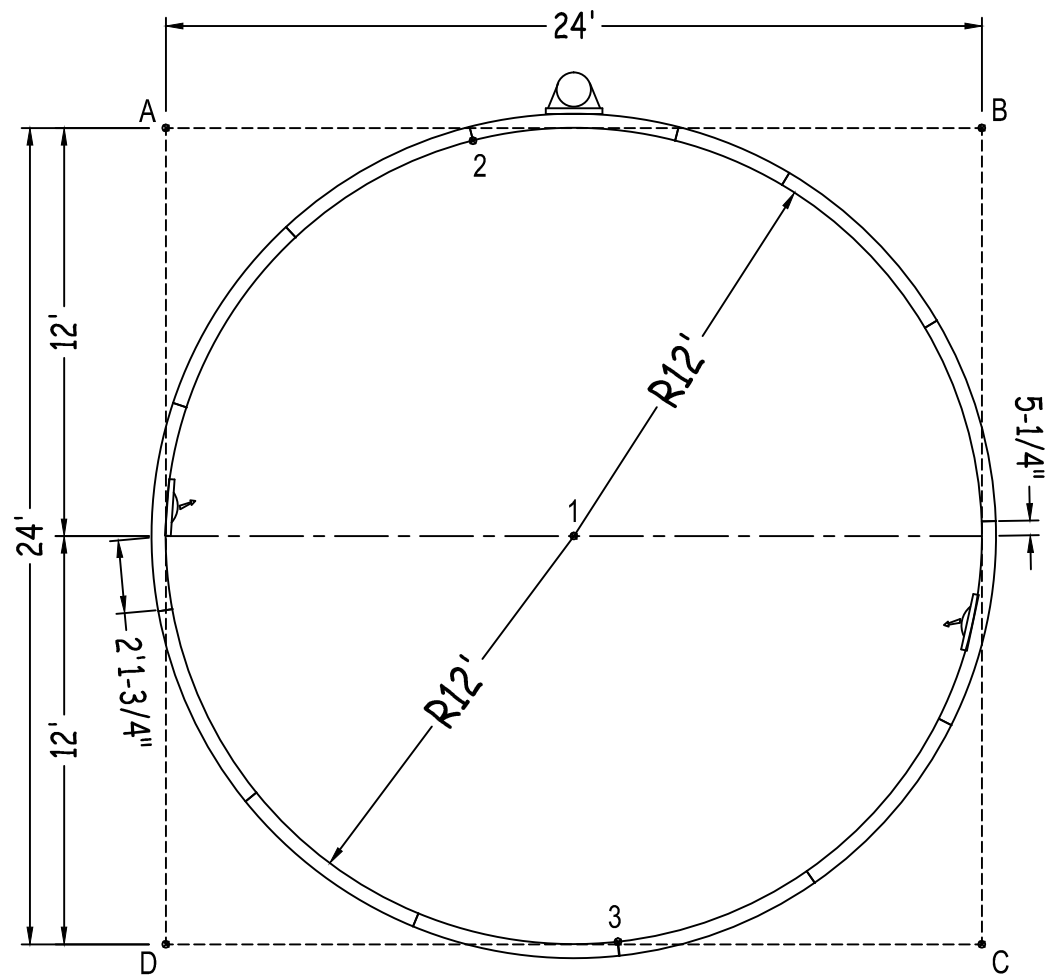
Bartop OG Pool System	ROUND 24-0 X 24-0				ALWAYS ENTER POOL Feet First	NON-DIVING POOL	
	52" STEEL PANELS	PERIMETER: 75'-5"	VOLUME (US Gal): 12400			USE OF DIVING EQUIPMENT IS PROHIBITED	
DWG#: B5ROFBS2424-15	SURFACE (ft²): 452	VOLUME (Liters): 46900	DATE: 1/1/2015	DSR:			
KIT#: ROFBS2424	COVER (ft²): 676	SCALE: 1/8" = 1'-0"			MEETS DEPTH AND SHAPE MINIMUM STANDARD ANSI/APSP/ICC-5 2011		



Diagonals
2 To 3 23'-11 1/4"

Base
Option 1

Part number	Description	QTY	QTY
RA0721440X	12'Rx6'	9	7
RA0721440*	12'Rx6' SKIMMER	1	1
RA0721440*	12'Rx6' RETURN	2	2
RA0481440X	12'Rx4'	-	1
RA0411440X	12'0"Rx3'5"	1	1
RA0121440S	12'Rx1' STEP	-	2
RA072102SC	6'0"X4" STEP CONNECTOR	-	1
Brace	Brace	-	2
IPC-BT52WCS-2	COMPRESSION STRAP 2PC	26	30
IPC-DRVSTK12G	BRACE COMP D-STK 3"X24" 90D 12G	-	2
IPC-STKPK25	REBAR STAKE 18" 25PC	1	1
IPC-HDWSTRT150	BOLT STR 3/8-16X1" C/W NUT 150PC	1	2
STP69X4P	ACRYLIC STEP FRENCH CURVE 6' (48")	-	1



	A	B	C	D
1	16'-11 3/4"	16'-11 3/4"	16'-11 3/4"	16'-11 3/4"
2	9'- 1/2"	14'-11 3/4"	27'-11 3/4"	25'-3 1/2"
3	27'-4 1/2"	26'-2 1/2"	10'-8 1/2"	13'-3 1/2"
A	-	24'-0"	33'-11 1/4"	24'-0"

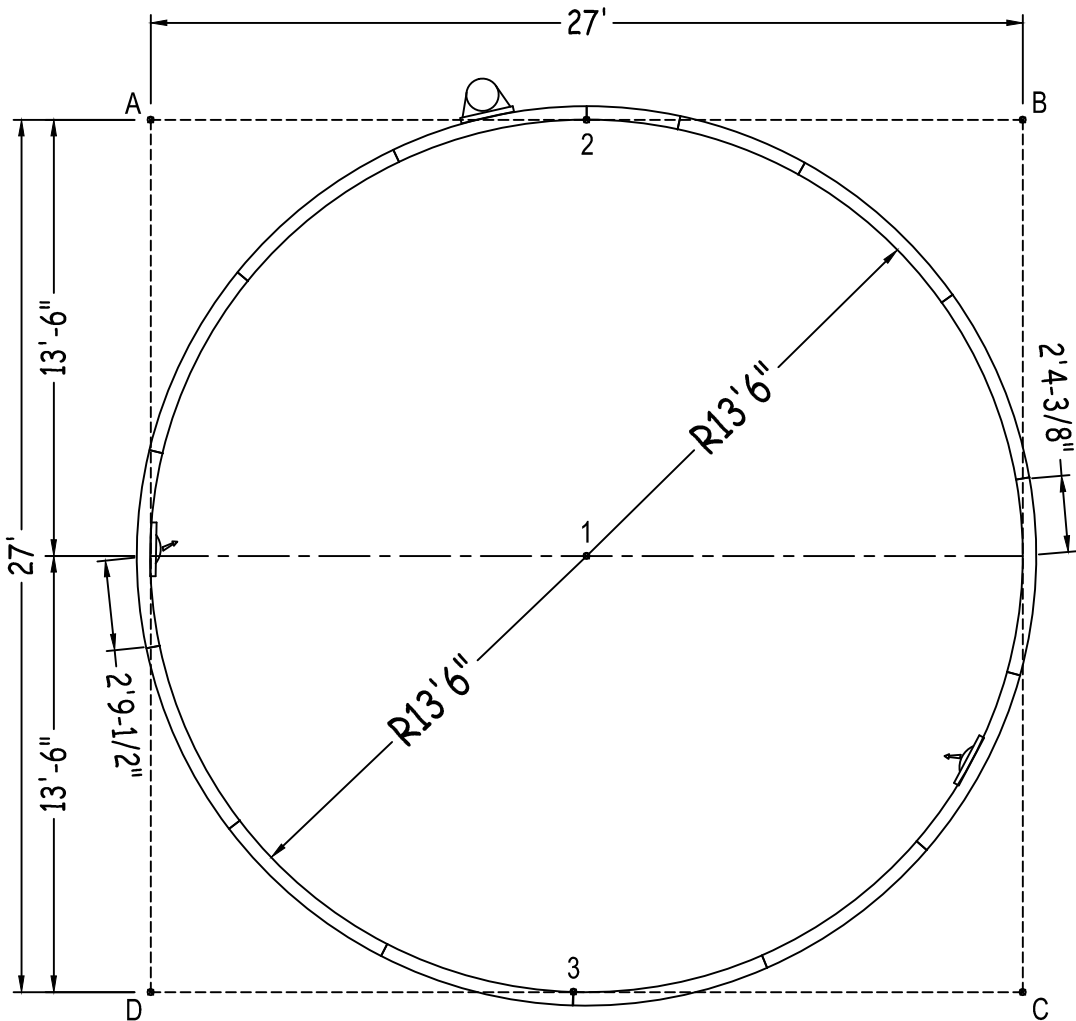
ROUND 24-0 X 24-0

DWG #: B5ROFBS2424-15

DATE: 1/1/2015

SHEET: 2 OF 2

Diagonals
2 To 3 27'-0"



Part number	Description	Base	Option 1
		QTY	QTY
RA0721620X	13'6"Rx6'	10	8
RA0721620*	13'6"Rx6' SKIMMER	1	1
RA0721620*	13'6"Rx6' RETURN	2	2
RA0481620X	13'6"Rx4'	1	2
RA0341620X	13'6"Rx2'10"	1	1
RA0121620S	13'6"Rx1' STEP	-	2
RA072102SC	6'0"X4" STEP CONNECTOR	-	1
Brace	Brace	-	2
IPC-BT52WCS-2	COMPRESSION STRAP 2PC	30	34
IPC-DRVSTK12G	BRACE COMP D-STK 3"X24" 90D 12G	-	2
IPC-STKPK25	REBAR STAKE 18" 25PC	1	1
IPC-HDWSTRT150	BOLT STR 3/8-16X1" C/W NUT 150PC	1	2
STP69X4P	ACRYLIC STEP FRENCH CURVE 6' (48")	-	1

	A	B	C	D
1	19'-1"	19'-1"	19'-1"	19'-1"
2	13'-6"	13'-6"	30'-2 1/4"	30'-2 1/4"
3	30'-0"	30'-4 1/2"	13'-11"	13'-1"
A	-	27'-0"	38'-2 1/4"	27'-0"

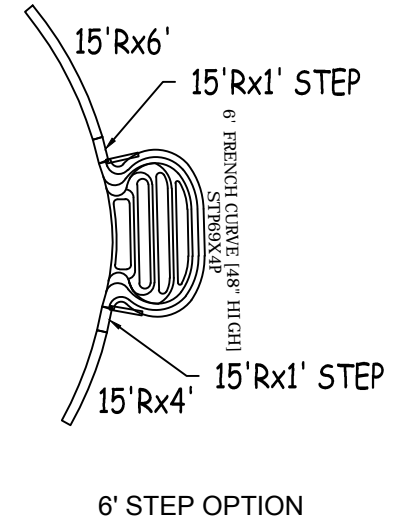
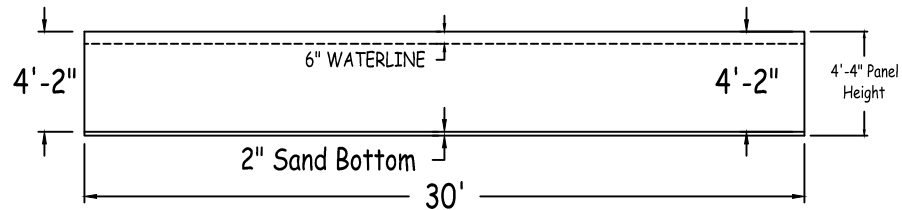
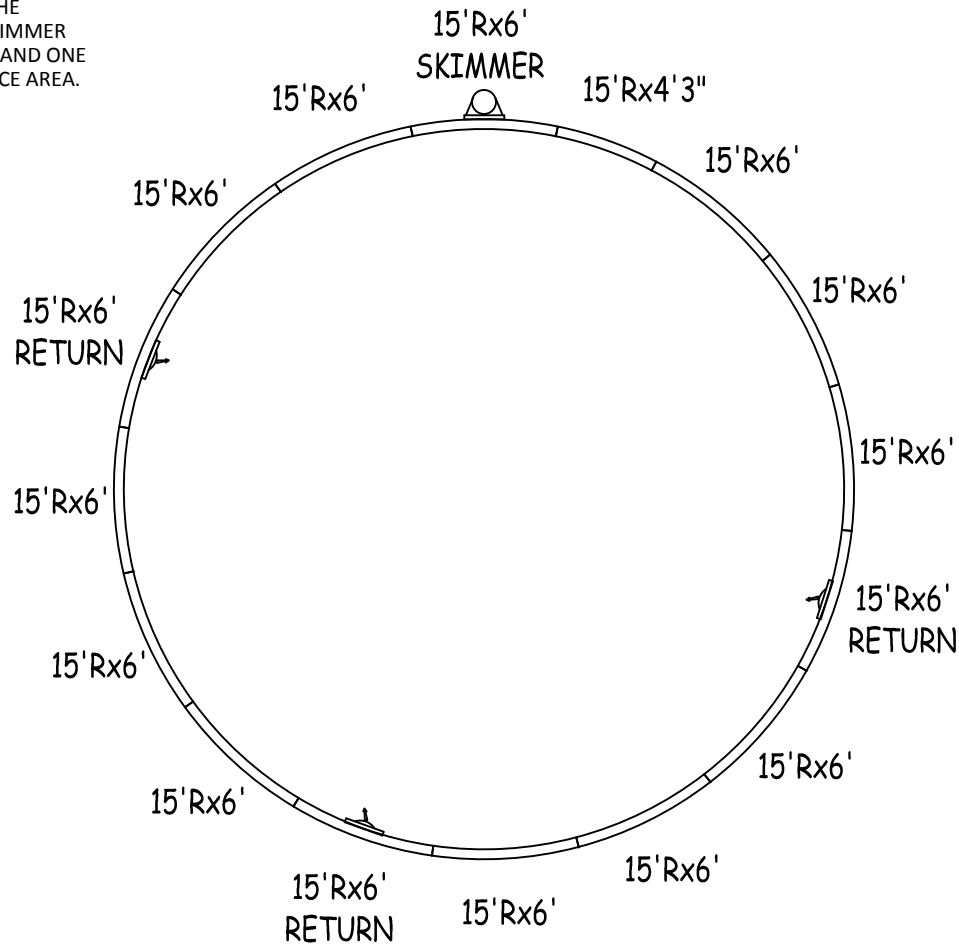
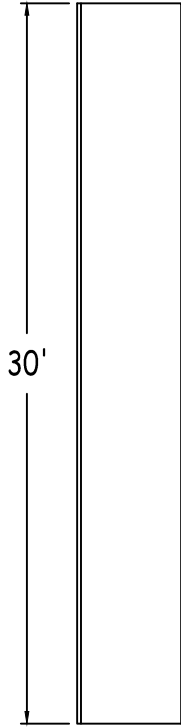
ROUND 27-0 X 27-0

DWG #: B5ROFBS2727-15

DATE: 1/1/2015

SHEET: 2 OF 2

IN ACCORDANCE WITH ANSI/APSP/ICC-5 2011, THE INSTALLER IS RESPONSIBLE FOR PLACING ONE SKIMMER FOR EVERY 800 SQUARE FEET OF SURFACE AREA AND ONE RETURN FOR EVERY 300 SQUARE FEET OF SURFACE AREA.



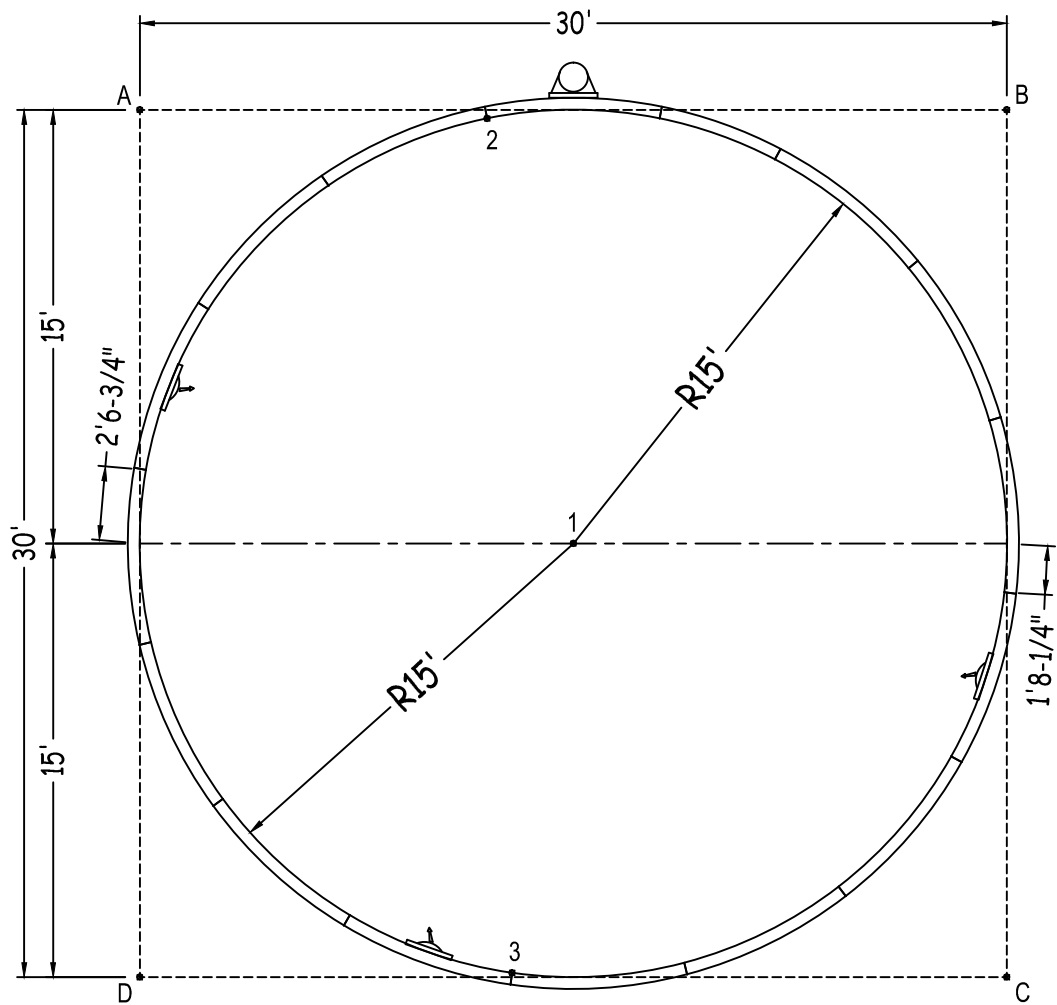
		ROUND 30-0 X 30-0		NON-DIVING POOL	
52" STEEL PANELS	PERIMETER: 94'-3"	VOLUME (US Gal):	19400	 USE OF DIVING EQUIPMENT IS PROHIBITED	
DWG#: B5ROFBS3030-15	SURFACE (ft²): 707	VOLUME (Liters):	73400		
KIT#: ROFBS3030	COVER (ft²): 1024	DATE: 1/1/2015	DSR:	MEETS DEPTH AND SHAPE MINIMUM STANDARD ANSI/APSP/ICC-5 2011	
		SCALE: 1/8" = 1'-0"			



Diagonals	
2 To 3	29'-6 3/4"

Base
Option 1

Part number	Description	QTY	QTY
RA0721800X	15'Rx6'	11	9
RA0721800*	15'Rx6' SKIMMER	1	1
RA0721800*	15'Rx6' RETURN	3	3
RA0511800X	15'Rx4'3"	1	1
RA0481800X	15'Rx4'	-	1
RA0121800S	15'Rx1' STEP	-	2
RA072102SC	6'0"X4" STEP CONNECTOR	-	1
Brace	Brace	-	2
IPC-BT52WCS-2	COMPRESSION STRAP 2PC	32	34
IPC-DRVSTK-12G	BRACE COMP D-STK 3"X24" 90D 12G	-	2
IPC-STKPK25	REBAR STAKE 18" 25PC	1	1
IPC-HDWSTRT150	BOLT STR 3/8-16X1" C/W NUT 150PC	2	2
STP69X4P	ACRYLIC STEP FRENCH CURVE 6' (48")	-	1



	A	B	C	D
1	21'-2 1/2"	21'-2 1/2"	21'-2 1/2"	21'-2 1/2"
2	12'- 1/4"	17'-11 3/4"	34'-8 3/4"	32'- 1/2"
3	32'-6 1/4"	34'-5"	17'-1 1/2"	12'-10 1/2"
A	-	30'-0"	42'-5"	30'-0"

ROUND 30-0 X 30-0

DWG #: B5ROFBS3030-15

DATE: 1/1/2015

SHEET: 2 OF 2