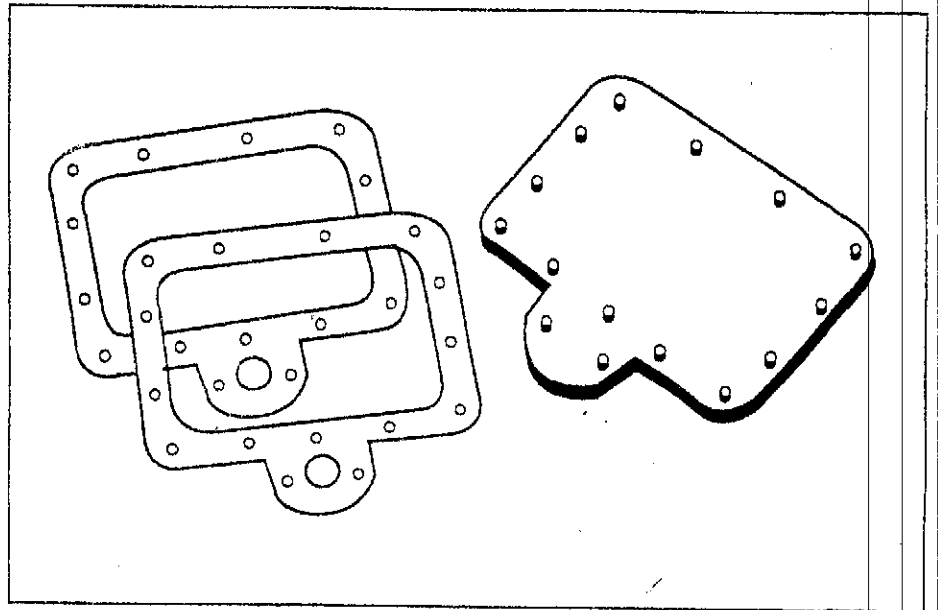




Pool Winterizing Kit

Model 0-2099-001

Owner's Guide



MODEL 0-2099-001 PARTS LIST			
ITEM	P/N	QTY	DESCRIPTION
1	340-1161	1	Winterizing Plate
2	307-1027	2	Skim-Line™ Faceplate Gasket
3	330-1004	15	#12 x 27/32 Screw
4	365-1476	1	Owner's Guide

Proper installation of the DOUGHBOY Winterizing Kit reduces the possibility of damage to your Doughboy thru-wall skimmer or skim filter due to freezing. Follow the instructions below. Numbers in parentheses refer to key numbers in the illustration.

CAUTION: Never remove your skimmer or skim filter without installing the Winterizing Kit. Damage to your liner and pool wall can result!

PREPARATION

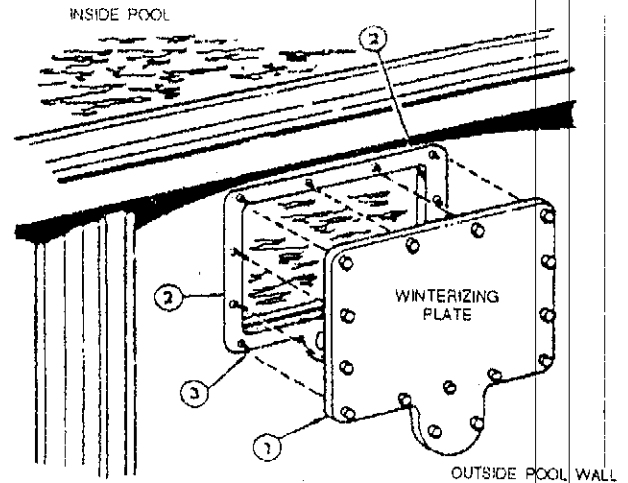
1. Drain pool water level six inches below the pool return fitting.
2. Remove the skimmer lid and basket if you are winterizing a Doughboy skimmer. If you are winterizing a Doughboy skim filter, drain the filter. Remove the lid, basket, element, flush valve assembly, and shrouds (if equipped). Disconnect hoses from the skimmer or skim filter and from the return fitting.
3. Loosen, but do not remove, all the faceplate screws just enough to permit removal of the skimmer or skim filter.
4. Remove the skimmer or skim filter from the pool wall, leaving the faceplate, gaskets and screws still attached to the pool wall.

NOTE: Inspect pool wall for corrosion. If found, carefully remove the faceplate, gaskets and screws. Peel liner from around opening. Remove corrosion. Use a corrosion resistant enamel paint to coat the effected area. Allow paint to dry thoroughly before reassembly.

Change of Design: Doughboy Recreational expressly reserves the right to change or modify the design and construction of any product in due course of their manufacturing procedures, without incurring any obligation to furnish or install such changes or modifications on products previously or subsequently sold.



DOUGHBOY RECREATIONAL • 315 N. Sebastian St. • West Helena, AR 72390
 Visit our website at www.doughboy-pools.com



INSTALLATION

Make sure the faceplate and gasket are positioned inside the pool wall with screws protruding through the second gasket outside the pool wall. **NOTE:** Two gaskets (2) are packaged with the winterizing plate (1). These gaskets may be used now or saved for spring start-up. Fifteen screws (15) are also included to replace lost or damaged screws.

1. Position the winterizing plate (1) over the cutout on the outside of the pool wall. Making sure the gaskets are in place, align the screws with the holes in the winterizing plate. Lightly tighten all screws, altern left and right, top and bottom. Repeat until all screws are evenly and securely tight. **DO NOT** overtighten.
2. Drain all water from the filter, hoses and Pool Power Pak. Clean all skimmer, skim filter and filter components. Store all filtering components in a warm, dry place for the winter. For spring start-up, remove the winterizing plate. Refer to your installation instructions for the skimmer or skim filter.
3. The return fitting remains attached to the pool wall. The return fitting ball is replaced with a shut-off disc. (Refer to winterizing instructions in your skimmer or skim filter Owner's Guide.)

