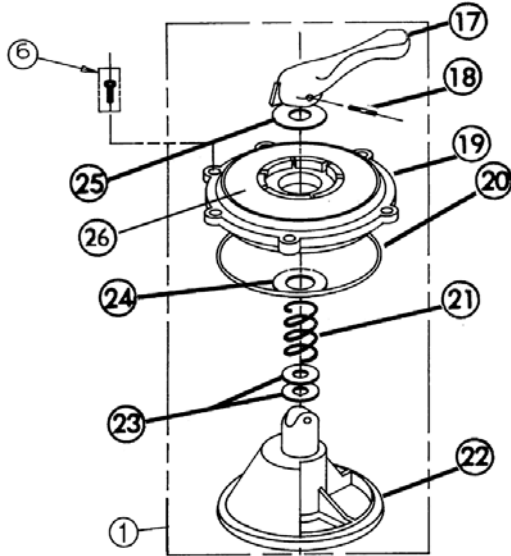
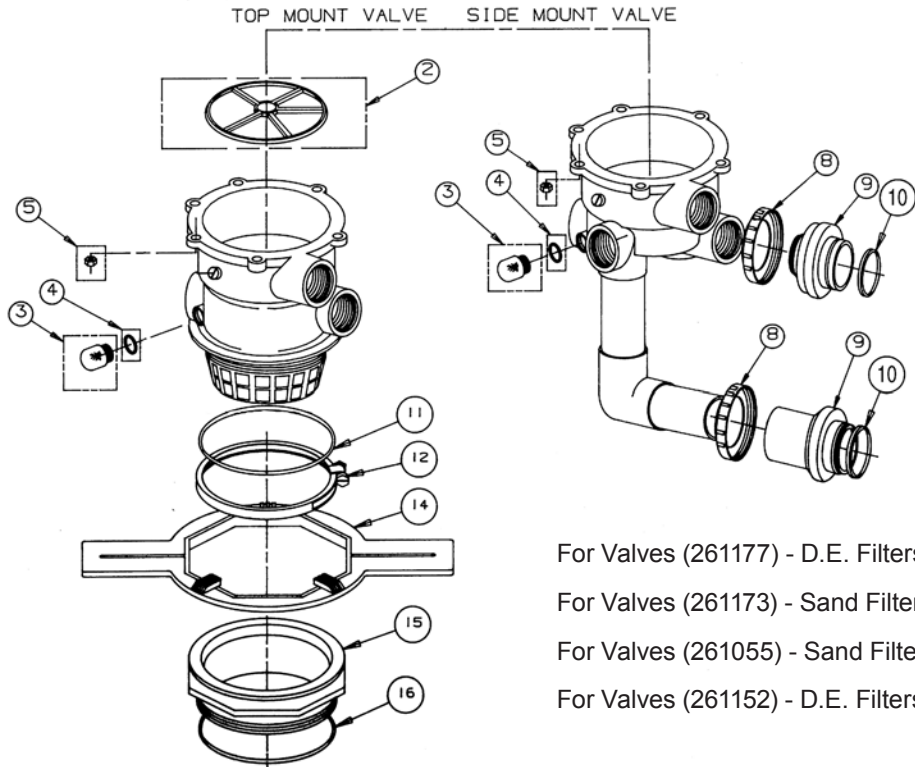


TOP MOUNT / SIDE MOUNT VALVES

REPLACEMENT PARTS FOR PACFAB MULTIPOINT VALVES



For use on TR, TA, NS or FNS filters



For Valves (261124, 261185)

For Valves (261177) - D.E. Filters
 For Valves (261173) - Sand Filters
 For Valves (261055) - Sand Filters
 For Valves (261152) - D.E. Filters

CALIFORNIA PROPOSITION 65 WARNING
 ⚠️ WARNING: Cancer and Reproductive Harm.
 ⚠️ AVERTISSEMENT: Peut Causer le Cancer et des Dommages au Système Reproducteur.
 ⚠️ ADVERTENCIA: Cáncer y Daño Reproductivo.
www.p65warnings.ca.gov PH201714A

TOP MOUNT / SIDE MOUNT VALVES (CONT'D)

REPLACEMENT PARTS FOR PACFAB MULTIPORT VALVES

Item	Part No.	Description	US List	Can. List
TM/SM HIFLOW MULTIPORT VALVES				
1	270068	Top valve assy. 1-1/2 in.	220.05	264.41
1	270067	Top valve assy. 2 in.	261.66	314.41
2	271104	Gasket - diverter, 1-1/2 in.	29.42	35.35
2	271148Z	Gasket - diverter, 2 in.	35.66	42.85
3	272550	Sight glass	14.70	17.66
4	271106	Gasket - sight glass	3.29	3.95
5	152167	Nut, M6 s/s, 6 req.	1.69	2.03
6	152168	Screw - M6 x 30mm s/s, 6 req.	2.36	2.84
8	274407	Nut - bulkhead adapter, 2 req.	19.16	23.02
9	274404	Adapter - valve, slip 1-1/2 in.	27.70	33.28
9	274651	Adapter - valve, threaded 1-1/2 in.	14.78	17.76
9	274556	Adapter - valve thread, 2 in.	17.18	20.64
10	274494	O-ring - adapter, 2 req.	5.46	6.56
11	272541	O-ring - valve adapter, 1-1/2 in.	9.04	10.86
11	275333	O-ring - valve, 2 in.	7.68	9.23
12	152165	Clamp with screws and nuts, 1-1/2 in.	27.70	33.28
12	152130	Band assy. - valve, 2 in.	117.48	141.16
14	154512	Wrench - flanged valve, 1-1/2 in.	29.13	35.00
14	151608	Wrench - adapter flange	CALL	CALL
15	155225	Adapter - flanged std. thread, 1-1/2 in.	43.02	51.69
15	152520Z	Adapter - flanged buttress, 1-1/2 in.	121.86	146.43

Item	Part No.	Description	US List	Can. List
15	154521	Adapter - flange buttress thread, 2 in.	76.49	91.91
16	154493	O-ring flanged valve adapter, 1-1/2 in.	6.00	7.21
16	152501	O-ring - adapter, 2 in.	7.43	8.93
17	271156	Handle	36.64	44.03
18	271164	Pin, handle	14.78	17.76
19	271158	Valve top, white, 1-1/2 in.	66.81	80.28
19	271165	Valve top, black, 1-1/2 in.	66.81	80.28
19	271166	Top valve cover, blk, 2 in.	100.13	120.32
19	271169	Top valve cover, blk, 2 in.	100.13	120.32
20	271103	O-ring, valve top, 1-1/2 in.	17.41	20.92
20	271151	O-ring, valve top, 2 in.	21.41	25.73
21	271161	Valve spring	49.59	59.59
22	271163	Valve diverter, 1-1/2 in.	89.15	107.12
22	271168	Valve diverter, 2 in.	100.13	120.32
23	191479	O-ring, stem, 2 req.	1.49	1.79
24	271160	Washer, valve spring	10.83	13.01
25	271157	Washer, handle	10.83	13.01
26	273208	Label 2 in. Sand (261055)	CALL	CALL
26	273207	Label 2 in. D.E. (261152)	CALL	CALL
26	271140	Label 1.5 in. Sand (261173)	CALL	CALL
26	271141	Label 1.5 in. D.E. (261177)	CALL	CALL
26	272035	Label 1.5 in. Sand (261124)	CALL	CALL
26	273211	Label 2 in. Sand (261185)	CALL	CALL

CALIFORNIA PROPOSITION 65 WARNING
 ⚠️ **WARNING:** Cancer and Reproductive Harm.
 ⚠️ **AVERTISSEMENT:** Peut Causer le Cancer et des Dommages au Système Reproducteur.
 ⚠️ **ADVERTENCIA:** Cáncer y Daño Reproductivo.
www.p65warnings.ca.gov PR 201514