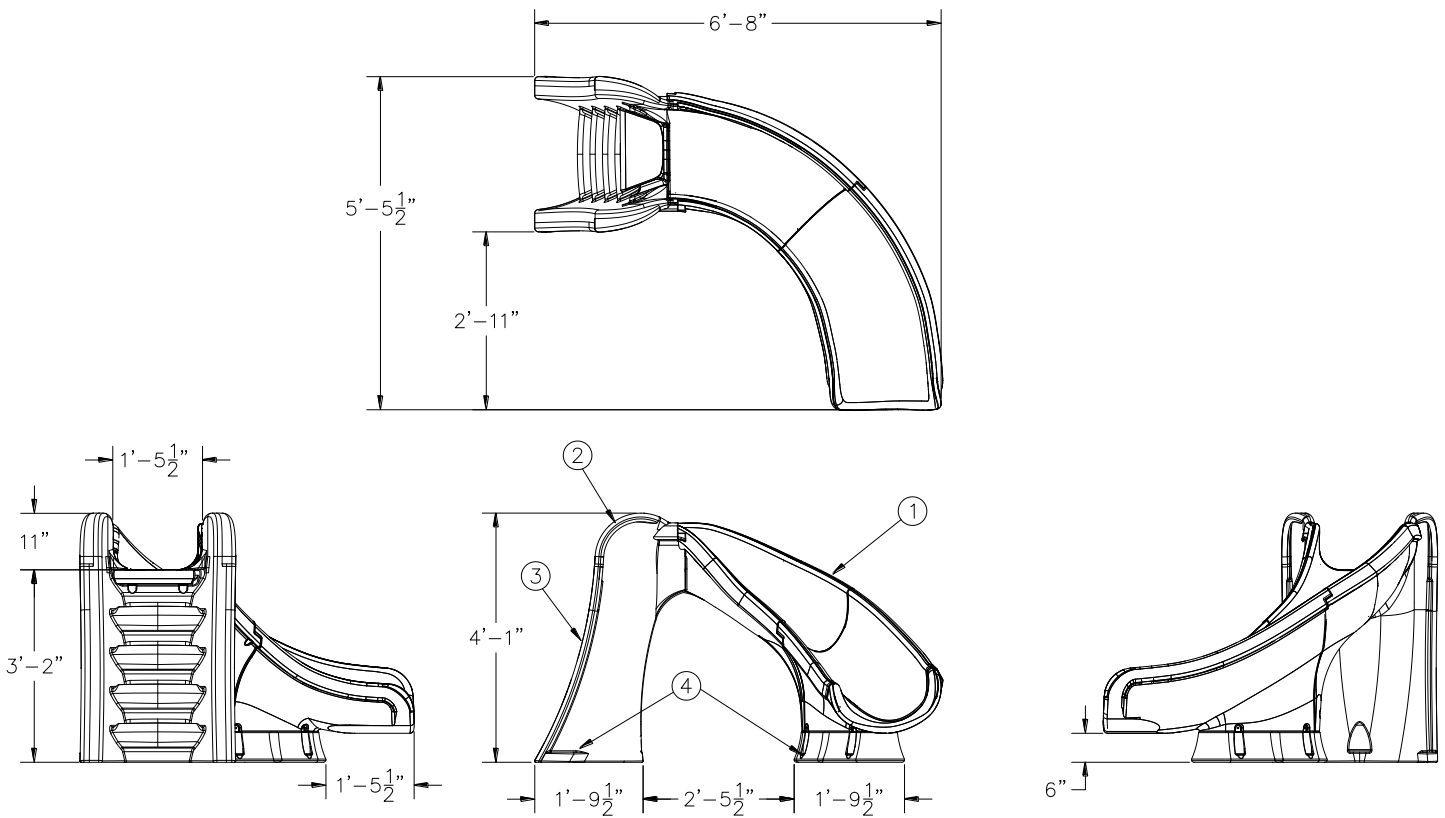


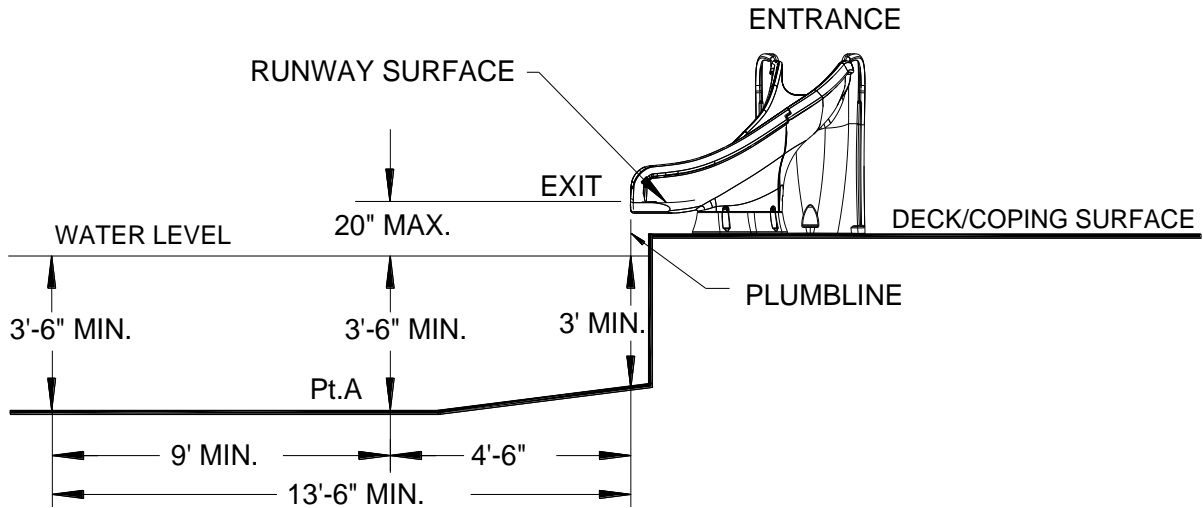
## CYCLONE SLIDE (RIGHT CURVE)



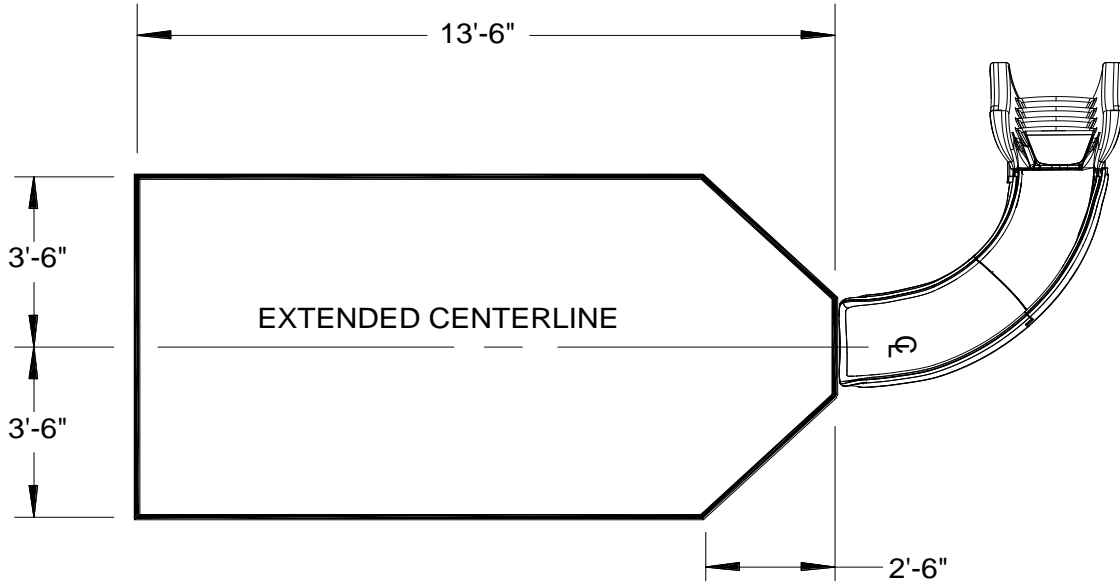
Specification Number:	<b>SRS-208</b>	
Product Description:	<b>Cyclone Slide (Right Curve)</b>	
S.R. Smith Part Number:	<b>690-209-58123 &amp; 690-209-58124</b>	Scale: NTS
Revision:	B	Date: 7/25/13
Written By:	K. Ball	Date: 12/08/05
Approved By:	J. Bonader	Date: 12/08/05
Page 1 of 3	Proprietary and confidential: The information contained in this specification is the sole property of S.R. Smith LLC. Any reproduction in part or whole without the written consent of S.R. Smith LLC is prohibited.	

**S.R. Smith, LLC**  
 P.O. Box 400, 1017 SW Berg Parkway  
 Canby, Oregon 97013  
 Tel: (800) 824-4387 (503) 266-2231  
 Fax: (503) 266-4334  
[www.srsmith.com](http://www.srsmith.com)

### Cyclone Slide Placement



### CRITICAL DIMENSIONS FOR SLIDE PLACEMENT



### SLIDE MINIMUM CLEARANCE AREA

Specification Number:	<b>SRS-208</b>	
Product Description:	<b>Cyclone Slide</b>	
S.R. Smith Part Number:	<b>690-209-58123 &amp; 690-209-58124</b>	Scale: NTS
Revision:	B	Date: 7/25/13
Written By:	K. Ball	Date: 12/08/05
Approved By:	J. Bonader	Date: 12/08/05
Page 3 of 3	Proprietary and confidential: The information contained in this specification is the sole property of S.R. Smith LLC. Any reproduction in part or whole without the written consent of S.R. Smith LLC is prohibited.	

**S.R. Smith, LLC**  
P.O. Box 400, 1017 SW Berg Parkway  
Canby, Oregon 97013  
Tel: (800) 824-4387 (503) 266-2231  
Fax: (503) 266-4334  
www.srsmith.com