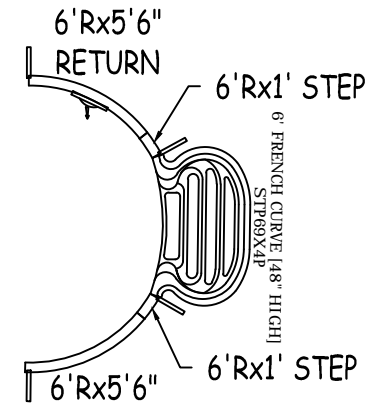
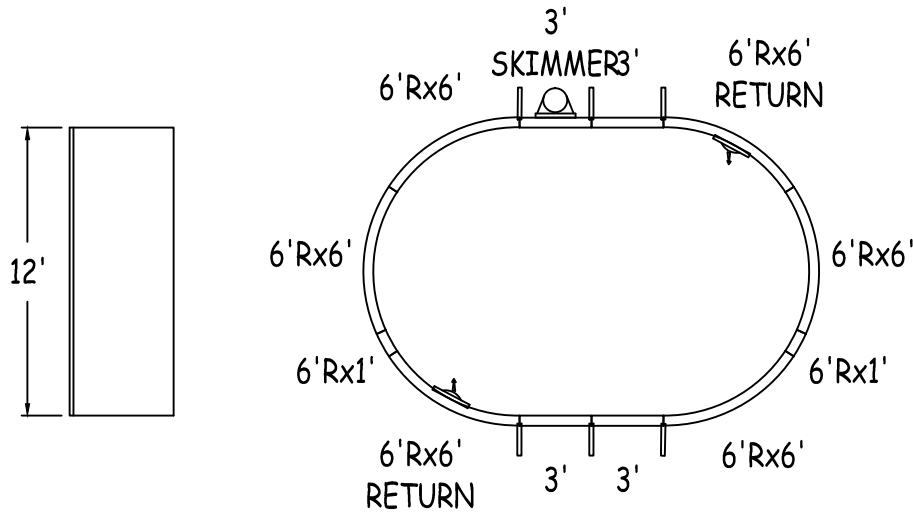
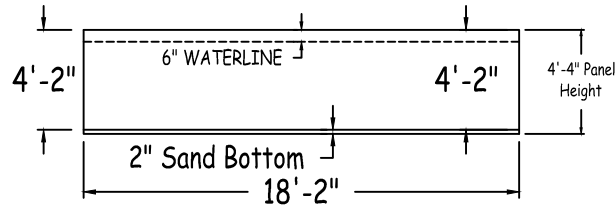


IN ACCORDANCE WITH ANSI/APSP/ICC-5 2011, THE INSTALLER IS RESPONSIBLE FOR PLACING ONE SKIMMER FOR EVERY 800 SQUARE FEET OF SURFACE AREA AND ONE RETURN FOR EVERY 300 SQUARE FEET OF SURFACE AREA.



6' STEP OPTION



**Bartop**  
OG Pool System

**OVAL-FLAT BOTTOM 12-0 X 18-2**

52" STEEL PANELS	PERIMETER:	50'-0"	VOLUME (US Gal):	5100
DWG#:	SURFACE (ft²):	187	VOLUME (Liters):	19300
<b>B5OVFBS1218-15</b>	LINER (ft²):	218	DATE:	1/1/2015
KIT#:	COVER (ft²):	282	DSR:	
OVFBS1218			SCALE:	1/8" = 1'-0"

ALWAYS ENTER POOL

**Feet First**

**NON-DIVING POOL**

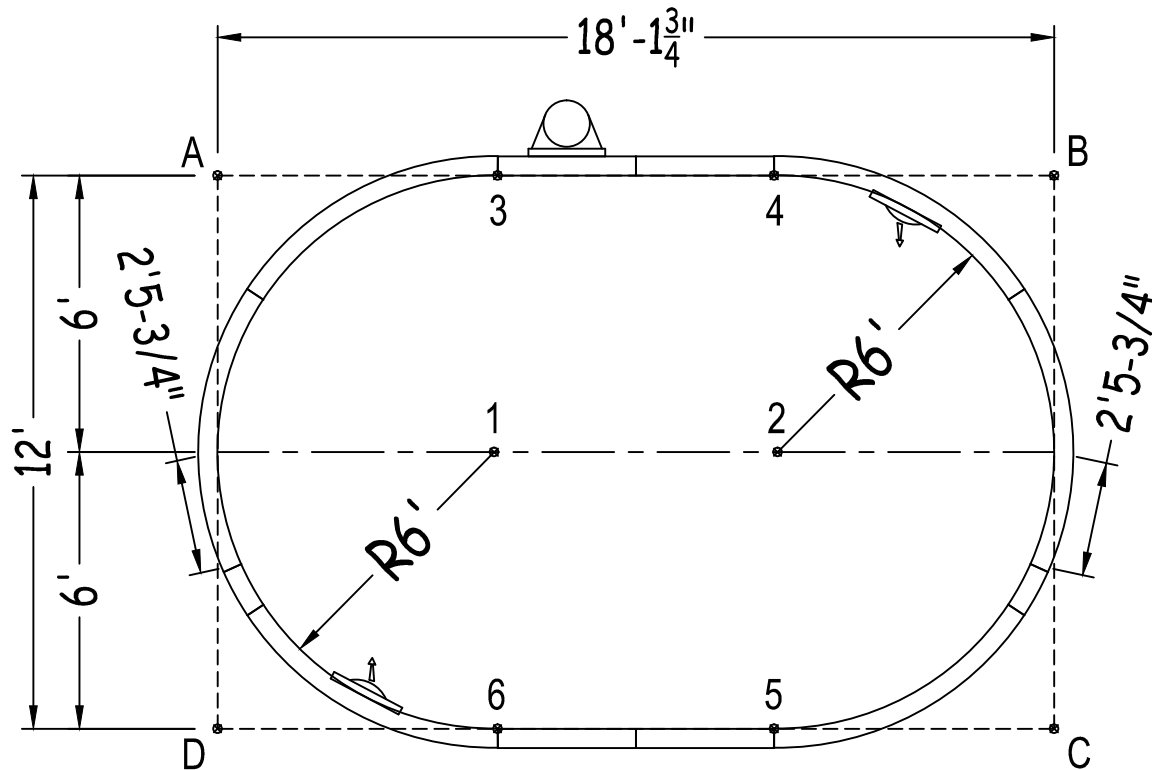
USE OF DIVING EQUIPMENT IS PROHIBITED

MEETS DEPTH AND SHAPE MINIMUM STANDARD ANSI/APSP/ICC-5 2011

**OVAL-FLAT BOTTOM**

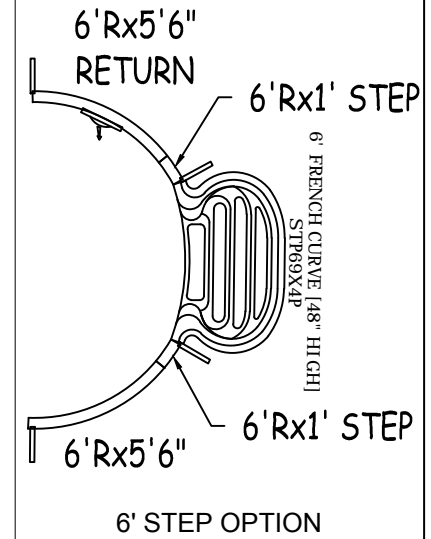
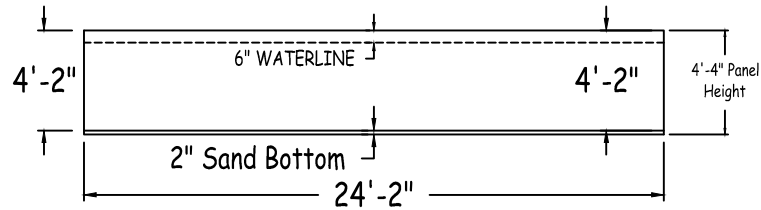
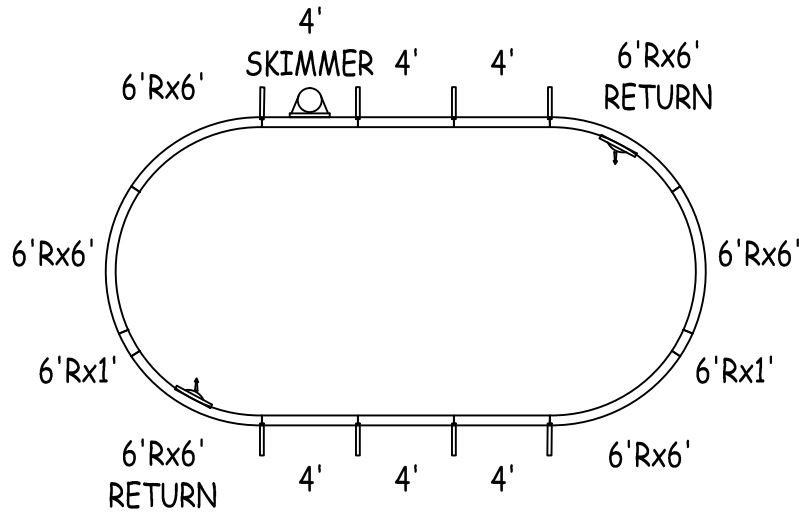
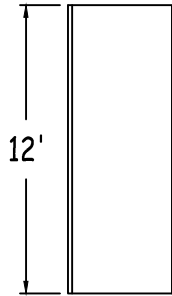
Center To Center	
1 To 2	6'-1 3/4"
Diagonals	
3 To 4	6'-0"
3 To 5	13'-5"
3 To 6	12'-0"
4 To 5	12'-0"
4 To 6	13'-5"
5 To 6	6'-0"

Part number	Description	Base	Option 1
		QTY	QTY
ST0360000X	3'	3	3
ST0360000*	3' SKIMMER	1	1
RA0720720X	6'Rx6'	4	2
RA0720720*	6'Rx6' RETURN	2	1
RA0660720X	6'Rx5'6"	-	1
RA0660720*	6'Rx5'6" RETURN	-	1
RA0120720S	6'Rx1' STEP	-	2
RA0120720X	6'Rx1'	2	1
RA072102SC	6'0"X4" STEP CONNECTOR	-	1
Brace	Brace	6	8
IPC-DRVSTK12G	BRACE COMP D-STK 3"X24" 90D 12G	6	8
IPC-BT52WCS-2	COMPRESSION STRAP 2PC	24	26
IPC-STKPK25	REBAR STAKE 18" 25PC	1	1
IPC-HDWSTRT150	BOLT STR 3/8-16X1" C/W NUT 150PC	1	1
STP69X4P	ACRYLIC STEP FRENCH CURVE 6' (48")	-	1



	A	B	C	D
1	8'-5 3/4"	13'-6 1/2"	13'-6 1/2"	8'-5 3/4"
2	13'-6 1/2"	8'-5 3/4"	8'-5 3/4"	13'-6 1/2"
3	6'-1"	12'-1"	17'- 1/4"	13'-5 1/2"
4	12'-1"	6'-1"	13'-5 1/2"	17'- 1/4"
5	17'- 1/4"	13'-5 1/2"	6'-1"	12'-1"
6	13'-5 1/2"	17'- 1/4"	12'-1"	6'-1"
A	-	18'-1 3/4"	21'-9"	12'-0"

IN ACCORDANCE WITH ANSI/APSP/ICC-5 2011, THE INSTALLER IS RESPONSIBLE FOR PLACING ONE SKIMMER FOR EVERY 800 SQUARE FEET OF SURFACE AREA AND ONE RETURN FOR EVERY 300 SQUARE FEET OF SURFACE AREA.



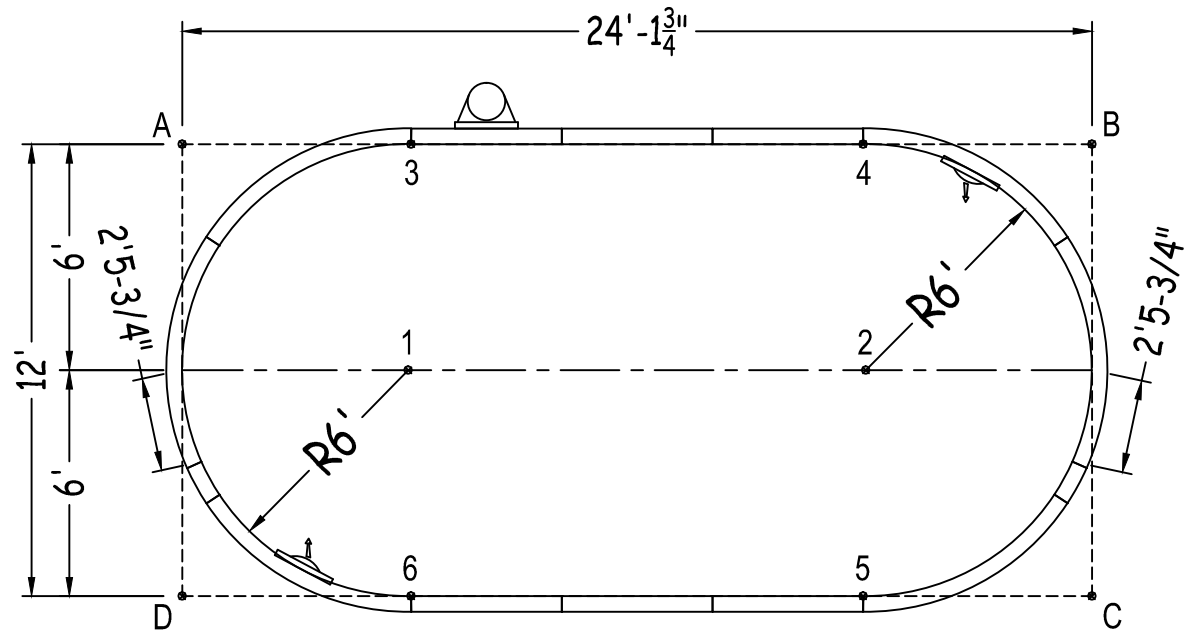
<b>Bartop</b> OG Pool System	<b>OVAL-FLAT BOTTOM 12-0 X 24-2</b>				ALWAYS ENTER POOL <b>Feet First</b> NON-DIVING POOL USE OF DIVING EQUIPMENT IS PROHIBITED
	52" STEEL PANELS	PERIMETER: 62'-0"	VOLUME (US Gal): 7100	VOLUME (Liters): 26900	
DWG#: B5OVFBS1224-15	SURFACE (ft²): 259	DATE: 1/1/2015	DSR:		
KIT#: OVFBS1224	COVER (ft²): 366	SCALE: 1/8" = 1'-0"			

**OVAL-FLAT BOTTOM**

SHEET: 1 OF 2

Center To Center	
1 To 2	12'-1 3/4"
Diagonals	
3 To 4	12'-0"
3 To 5	16'-11 3/4"
3 To 6	12'-0"
4 To 5	12'-0"
4 To 6	16'-11 3/4"
5 To 6	12'-0"

Part number	Description	Base	Option 1
		QTY	QTY
ST0480000X	4'	5	5
ST0480000*	4' SKIMMER	1	1
RA0720720X	6'Rx6'	4	2
RA0720720*	6'Rx6' RETURN	2	1
RA0660720X	6'Rx5'6"	-	1
RA0660720*	6'Rx5'6" RETURN	-	1
RA0120720X	6'Rx1'	2	1
RA0120720S	6'Rx1' STEP	-	2
RA072102SC	6'0"X4" STEP CONNECTOR	-	1
Brace	Brace	8	10
IPC-DRVSTK12G	BRACE COMP D-STK 3"X24" 90D 12G	8	10
IPC-BT52WCS-2	COMPRESSION STRAP 2PC	28	30
IPC-STKPK25	REBAR STAKE 18" 25PC	1	1
IPC-HDWSTRT150	BOLT STR 3/8-16X1" C/W NUT 150PC	2	2
STP69X4P	ACRYLIC STEP FRENCH CURVE 6' (48")	-	1



	A	B	C	D
1	8'-5 3/4"	19'-1 1/2"	19'-1 1/2"	8'-5 3/4"
2	19'-1 1/2"	8'-5 3/4"	8'-5 3/4"	19'-1 1/2"
3	6'-1"	18'-1"	21'-8 1/4"	13'-5 1/2"
4	18'-1"	6'-1"	13'-5 1/2"	21'-8 1/4"
5	21'-8 1/4"	13'-5 1/2"	6'-1"	18'-1"
6	13'-5 1/2"	21'-8 1/4"	18'-1"	6'-1"
A	-	24'-1 3/4"	26'-11 1/2"	12'-0"

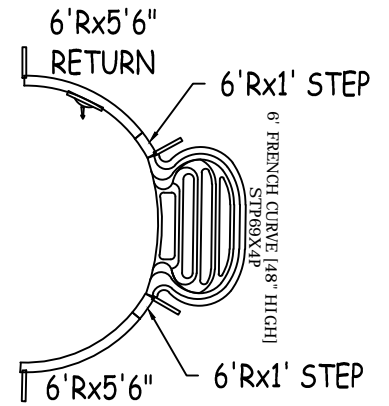
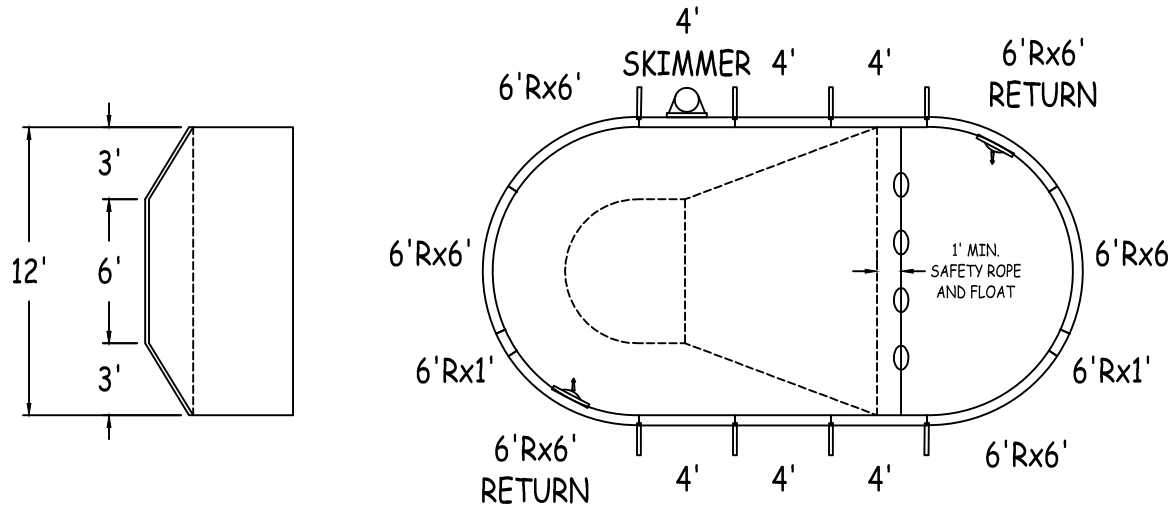
OVAL-FLAT BOTTOM 12-0 X 24-2

DWG #: B5OVFBS1224-15

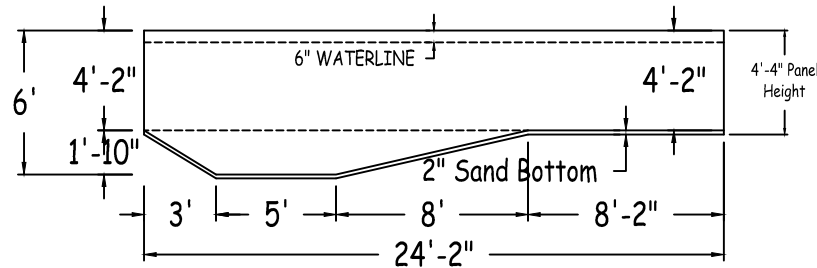
DATE: 1/1/2015

SHEET: 2 OF 2

IN ACCORDANCE WITH ANSI/APSP/ICC-5 2011, THE INSTALLER IS RESPONSIBLE FOR PLACING ONE SKIMMER FOR EVERY 800 SQUARE FEET OF SURFACE AREA AND ONE RETURN FOR EVERY 300 SQUARE FEET OF SURFACE AREA.



6' STEP OPTION

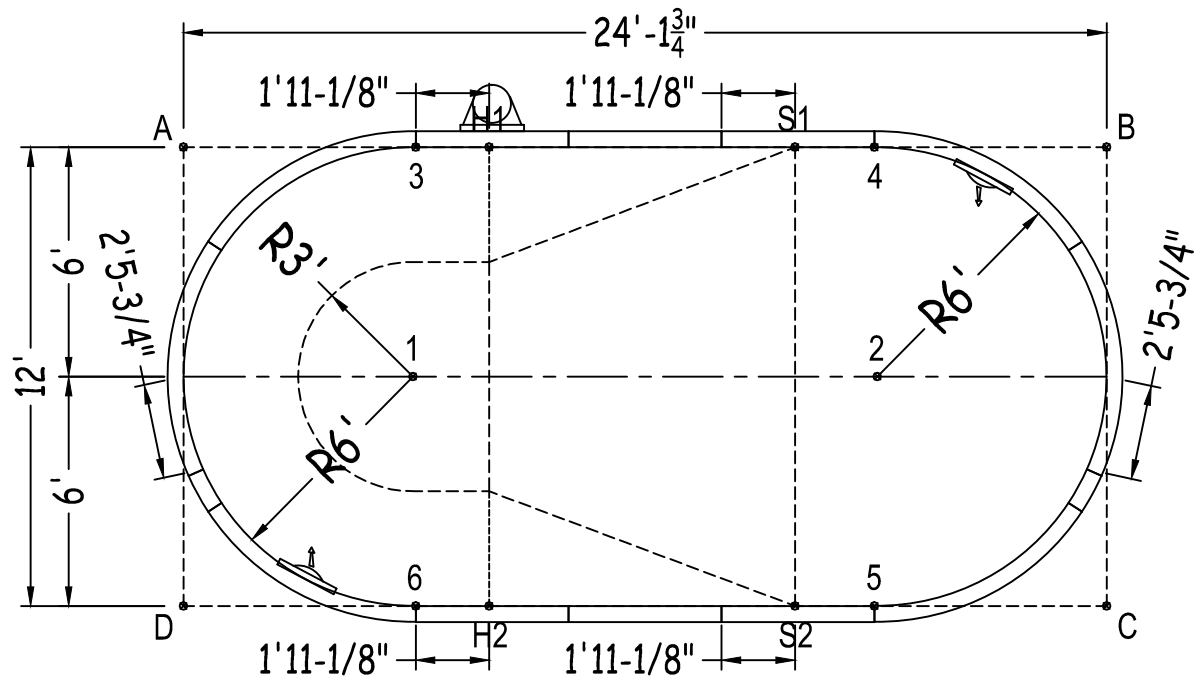


<b>Bartop</b> OG Pool System		<b>OVAL-6' HOPPER 12-0 X 24-2</b>		<p>ALWAYS ENTER POOL</p> <p><b>NON-DIVING POOL</b></p> <p>USE OF DIVING EQUIPMENT IS PROHIBITED</p>	
52" STEEL PANELS	PERIMETER: 62'-0"	VOLUME (US Gal): 8300			
DWG#: B5OVHPS1224-15	SURFACE (ft²): 259	VOLUME (Liters): 31400			
KIT#: OVHPS1224	COVER (ft²): 366	DATE: 1/1/2015	DSR:		
	SCALE: 1/8" = 1'-0"	<p>MEETS DEPTH AND SHAPE MINIMUM STANDARD ANSI/APSP/ICC-5 2011</p>			

**OVAL-6' HOPPER**

Center To Center	
1 To 2	12'-1 3/4"
Diagonals	
3 To 4	12'-0"
3 To 5	16'-11 3/4"
3 To 6	12'-0"
4 To 5	12'-0"
4 To 6	16'-11 3/4"
5 To 6	12'-0"

Part number	Description	Base		Option 1	
		QTY	QTY	QTY	QTY
ST0480000X	4'		5	5	
ST0480000*	4' SKIMMER		1	1	
RA0720720X	6'Rx6'		4	2	
RA0720720*	6'Rx6' RETURN		2	1	
RA0660720X	6'Rx5'6"		-	1	
RA0660720*	6'Rx5'6" RETURN		-	1	
RA0120720X	6'Rx1'		2	1	
RA0120720S	6'Rx1' STEP		-	2	
RA072102SC	6'0"X4" STEP CONNECTOR		-	1	
Brace	Brace		8	10	
IPC-DRVSTK12G	BRACE COMP D-STK 3"X24" 90D 12G		8	10	
IPC-BT52WCS-2	COMPRESSION STRAP 2PC		28	30	
IPC-STKPK25	REBAR STAKE 18" 25PC		1	1	
IPC-HDWSTRT150	BOLT STR 3/8-16X1" C/W NUT 150PC		2	2	
STP69X4P	ACRYLIC STEP FRENCH CURVE 6' (48")		-	1	



	A	B	C	D
1	8'-5 3/4"	19'-1 1/2"	19'-1 1/2"	8'-5 3/4"
2	19'-1 1/2"	8'-5 3/4"	8'-5 3/4"	19'-1 1/2"
3	6'-1"	18'-1"	21'-8 1/4"	13'-5 1/2"
4	18'-1"	6'-1"	13'-5 1/2"	21'-8 1/4"
5	21'-8 1/4"	13'-5 1/2"	6'-1"	18'-1"
6	13'-5 1/2"	21'-8 1/4"	18'-1"	6'-1"
S2	20'-0"	14'-6"	8'-1 3/4"	16'-0"
S1	16'-0"	8'-1 3/4"	14'-6"	20'-0"
H2	14'-5"	20'-1 1/2"	16'-1 3/4"	8'-0"
H1	8'-0"	16'-1 3/4"	20'-1 1/2"	14'-5"
A	-	24'-1 3/4"	26'-11 1/2"	12'-0"

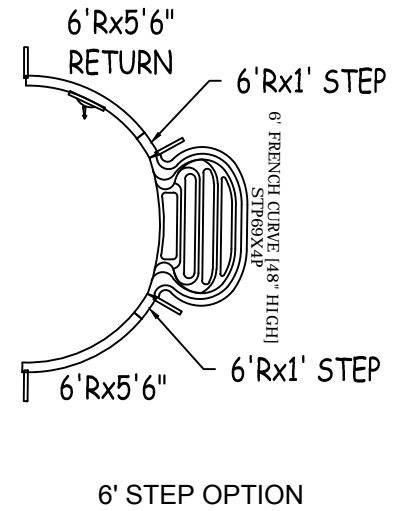
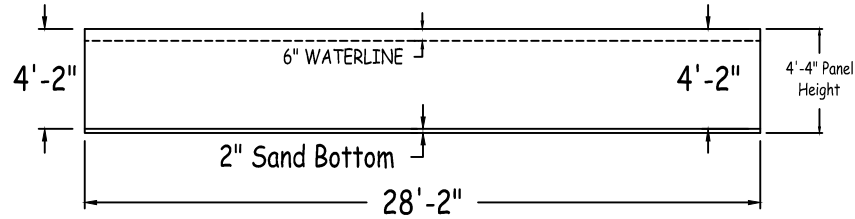
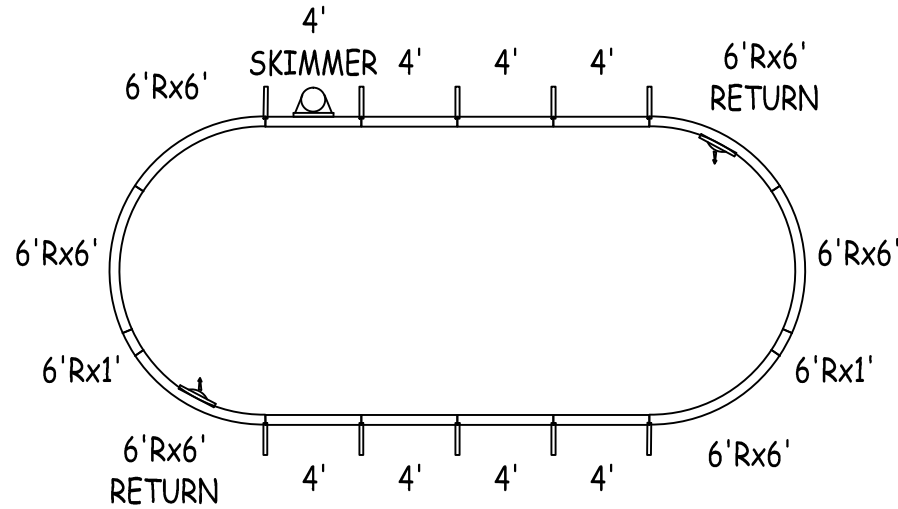
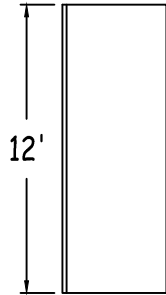
OVAL-6' HOPPER 12-0 X 24-2

DWG #: B5OVHPS1224-15

DATE: 1/1/2015

SHEET: 2 OF 2

IN ACCORDANCE WITH ANSI/APSP/ICC-5 2011, THE INSTALLER IS RESPONSIBLE FOR PLACING ONE SKIMMER FOR EVERY 800 SQUARE FEET OF SURFACE AREA AND ONE RETURN FOR EVERY 300 SQUARE FEET OF SURFACE AREA.



**Bartop**  
OG Pool System

**OVAL-FLAT BOTTOM 12-0 X 28-2**

52" STEEL PANELS	PERIMETER:	70'-0"	VOLUME (US Gal):	8400
DWG#:	SURFACE (ft²):	307	VOLUME (Liters):	31800
<b>B5OVFBS1228-15</b>	LINER (ft²):	338	DATE:	1/1/2015
KIT#:	COVER (ft²):	422	DSR:	
OVFBS1228			SCALE:	1/8" = 1'-0"

ALWAYS ENTER POOL

**Feet First**

**NON-DIVING POOL**

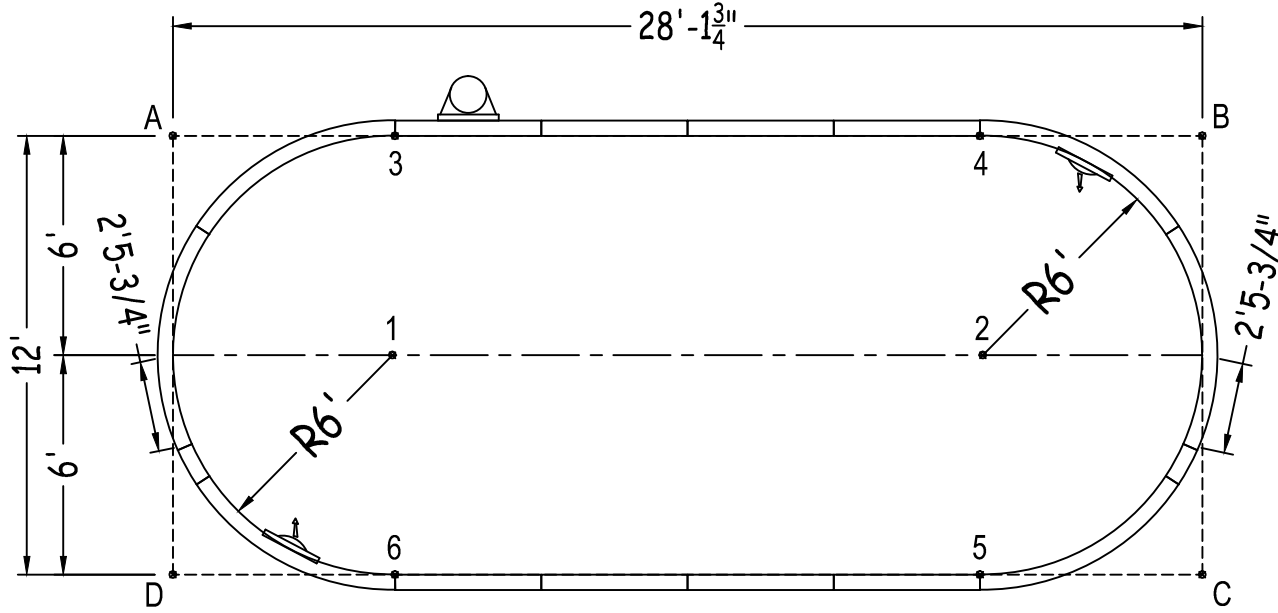
USE OF DIVING EQUIPMENT IS PROHIBITED

MEETS DEPTH AND SHAPE MINIMUM STANDARD ANSI/APSP/ICC-5 2011

**OVAL-FLAT BOTTOM**

Center To Center	
1 To 2	16'-1 3/4"
Diagonals	
3 To 4	16'-0"
3 To 5	20'-0"
3 To 6	12'-0"
4 To 5	12'-0"
4 To 6	20'-0"
5 To 6	16'-0"

Part number	Description	Base	Option 1
		QTY	QTY
ST0480000X	4'	7	7
ST0480000*	4' SKIMMER	1	1
RA0720720X	6'Rx6'	4	2
RA0720720*	6'Rx6' RETURN	2	1
RA0660720X	6'Rx5'6"	-	1
RA0660720*	6'Rx5'6" RETURN	-	1
RA0120720X	6'Rx1'	2	1
RA0120720S	6'Rx1' STEP	-	2
RA072102SC	6'0"X4" STEP CONNECTOR	-	1
Brace	Brace	10	12
IPC-DRVSTK12G	BRACE COMP D-STK 3"X24" 90D 12G	10	12
IPC-BT52WCS-2	COMPRESSION STRAP 2PC	32	34
IPC-STKPK25	REBAR STAKE 18" 25PC	2	2
IPC-HDWSTRT150	BOLT STR 3/8-16X1" C/W NUT 150PC	2	2
STP69X4P	ACRYLIC STEP FRENCH CURVE 6' (48")	-	1



	A	B	C	D
1	8'-5 3/4"	22'-11 1/2"	22'-11 1/2"	8'-5 3/4"
2	22'-11 1/2"	8'-5 3/4"	8'-5 3/4"	22'-11 1/2"
3	6'-1"	22'-1"	25'-1 1/2"	13'-5 1/2"
4	22'-1"	6'-1"	13'-5 1/2"	25'-1 1/2"
5	25'-1 1/2"	13'-5 1/2"	6'-1"	22'-1"
6	13'-5 1/2"	25'-1 1/2"	22'-1"	6'-1"
A	-	28'-1 3/4"	30'-7 1/4"	12'-0"

OVAL-FLAT BOTTOM 12-0 X 28-2

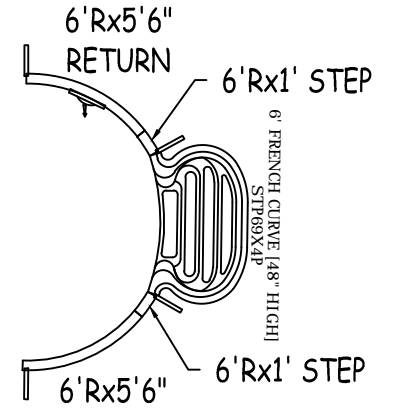
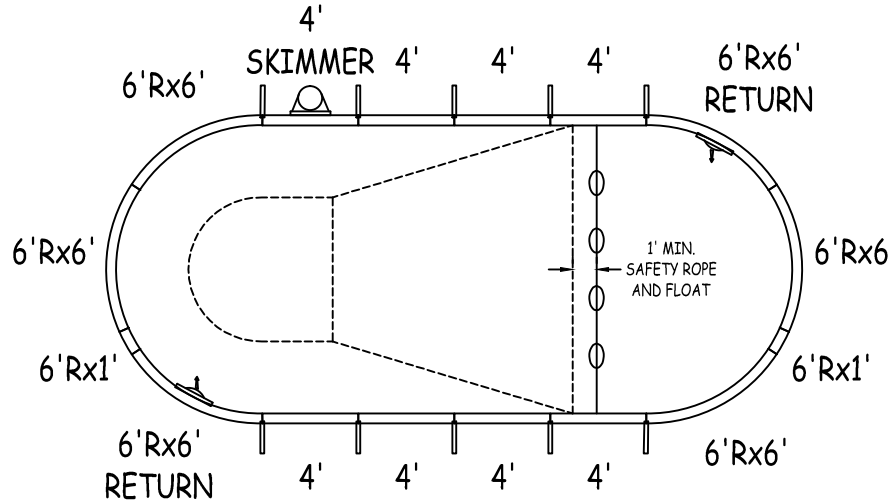
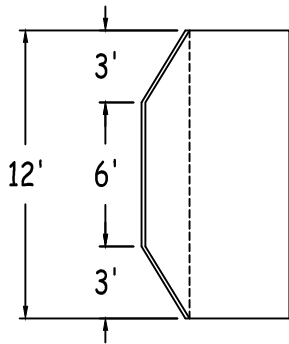
DWG #: B5OVFBS1228-15

DATE: 1/1/2015

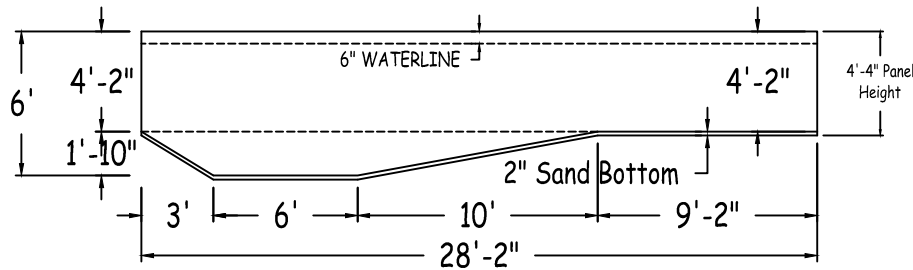
SHEET: 2 OF 2



IN ACCORDANCE WITH ANSI/APSP/ICC-5 2011, THE INSTALLER IS RESPONSIBLE FOR PLACING ONE SKIMMER FOR EVERY 800 SQUARE FEET OF SURFACE AREA AND ONE RETURN FOR EVERY 300 SQUARE FEET OF SURFACE AREA.



6' STEP OPTION

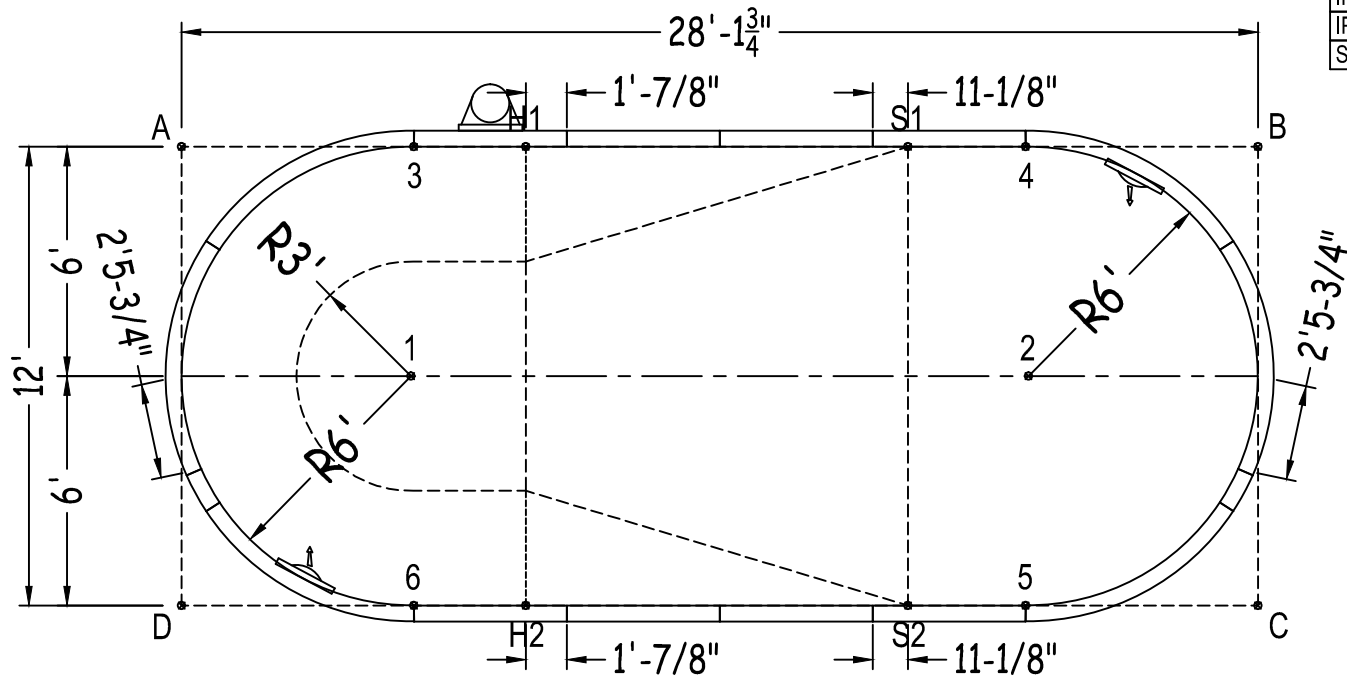


<b>Bartop</b> OG Pool System	<b>OVAL-6' HOPPER 12-0 X 28-2</b>				ALWAYS ENTER POOL <b>Feet First</b> NON-DIVING POOL USE OF DIVING EQUIPMENT IS PROHIBITED
	52" STEEL PANELS	PERIMETER: 70'-0"	VOLUME (US Gal): 9800		
DWG#: B50VHPS1228-15	SURFACE (ft²): 307	VOLUME (Liters): 37100	DATE: 1/1/2015	DSR:	
KIT#: OVHPS1228	COVER (ft²): 422	SCALE: 1/8" = 1'-0"	MEETS DEPTH AND SHAPE MINIMUM STANDARD ANSI/APSP/ICC-5 2011		

**OVAL-6' HOPPER**

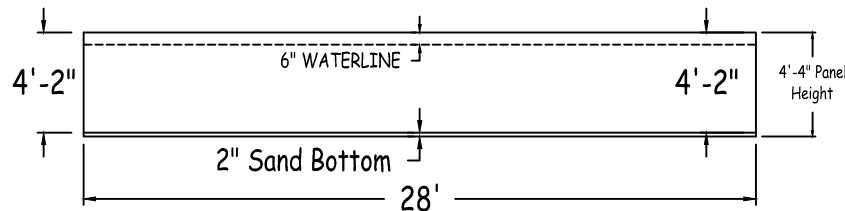
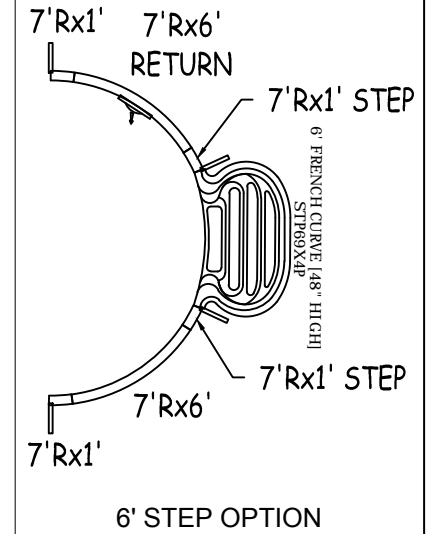
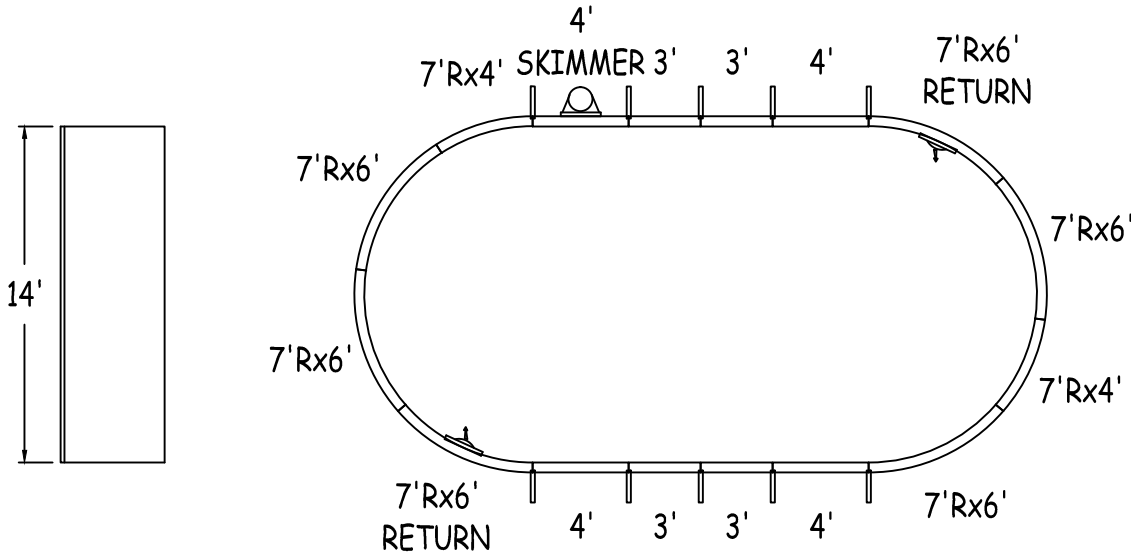
Center To Center	
1 To 2	16'-1 3/4"
Diagonals	
3 To 4	16'-0"
3 To 5	20'-0"
3 To 6	12'-0"
4 To 5	12'-0"
4 To 6	20'-0"
5 To 6	16'-0"

Part number	Description	Base		Option 1	
		QTY	QTY	QTY	QTY
ST0480000X	4'	7	7		
ST0480000*	4' SKIMMER	1	1		
RA0720720X	6'Rx6'	4	2		
RA0720720*	6'Rx6' RETURN	2	1		
RA0660720X	6'Rx5'6"	-	1		
RA0660720*	6'Rx5'6" RETURN	-	1		
RA0120720X	6'Rx1'	2	1		
RA0120720S	6'Rx1' STEP	-	2		
RA072102SC	6'0"X4" STEP CONNECTOR	-	1		
Brace	Brace	10	12		
IPC-DRVSTK12G	BRACE COMP D-STK 3"X24" 90D 12G	10	12		
IPC-BT52WCS-2	COMPRESSION STRAP 2PC	32	34		
IPC-STKPK25	REBAR STAKE 18" 25PC	2	2		
IPC-HDWSTRT150	BOLT STR 3/8-16X1" C/W NUT 150PC	2	2		
STP69X4P	ACRYLIC STEP FRENCH CURVE 6' (48")	-	1		



	A	B	C	D
1	8'-5 3/4"	22'-11 1/2"	22'-11 1/2"	8'-5 3/4"
2	22'-11 1/2"	8'-5 3/4"	8'-5 3/4"	22'-11 1/2"
3	6'-1"	22'-1"	25'-1 1/2"	13'-5 1/2"
4	22'-1"	6'-1"	13'-5 1/2"	25'-1 1/2"
5	25'-1 1/2"	13'-5 1/2"	6'-1"	22'-1"
6	13'-5 1/2"	25'-1 1/2"	22'-1"	6'-1"
S2	22'-5 3/4"	15'-1"	9'-1 3/4"	19'-0"
S1	19'-0"	9'-1 3/4"	15'-1"	22'-5 3/4"
H2	15'-0"	22'-7 1/4"	19'-1 3/4"	9'-0"
H1	9'-0"	19'-1 3/4"	22'-7 1/4"	15'-0"
A	-	28'-1 3/4"	30'-7 1/4"	12'-0"

IN ACCORDANCE WITH ANSI/APSP/ICC-5 2011, THE INSTALLER IS RESPONSIBLE FOR PLACING ONE SKIMMER FOR EVERY 800 SQUARE FEET OF SURFACE AREA AND ONE RETURN FOR EVERY 300 SQUARE FEET OF SURFACE AREA.



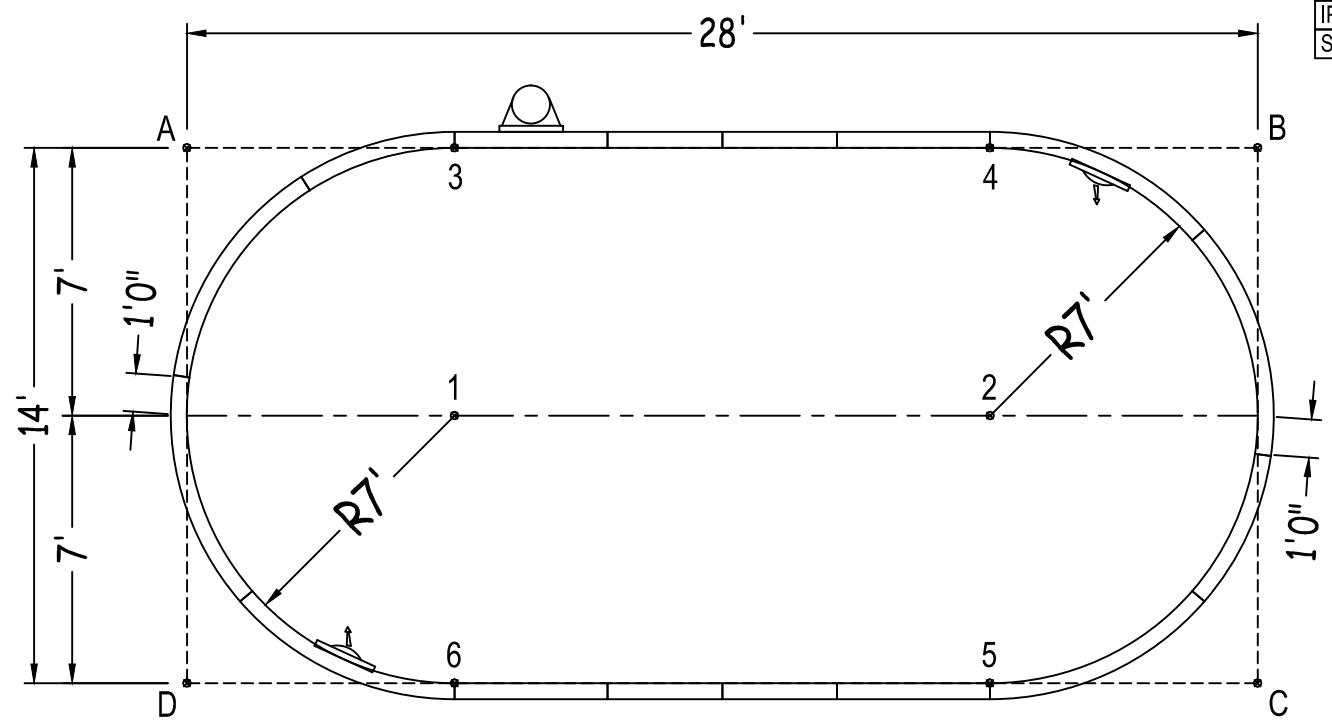
<b>Bartop</b> OG Pool System	<b>OVAL-FLAT BOTTOM 14-0 X 28-0</b>				ALWAYS ENTER POOL  <b>Feet First</b>	<b>NON-DIVING POOL</b>	
	52" STEEL PANELS	PERIMETER: 72'-0"	VOLUME (US Gal): 9600	VOLUME (Liters): 36300		USE OF DIVING EQUIPMENT IS PROHIBITED	MEETS DEPTH AND SHAPE MINIMUM STANDARD ANSI/APSP/ICC-5 2011
DWG#: B5OVFBS1428-15	SURFACE (ft²): 350	DATE: 1/1/2015	DSR:				
KIT#: OVFS1428	COVER (ft²): 480	SCALE: 1/8" = 1'-0"					

**OVAL-FLAT BOTTOM**

SHEET: 1 OF 2

Center To Center	
1 To 2	14'-0"
Diagonals	
3 To 4	14'-0"
3 To 5	19'-9 1/2"
3 To 6	14'-0"
4 To 5	14'-0"
4 To 6	19'-9 1/2"
5 To 6	14'-0"

Part number	Description	Base		Option 1	
		QTY	QTY	QTY	QTY
ST0480000X	4'	3	3		
ST0480000*	4' SKIMMER	1	1		
ST0360000X	3'	4	4		
RA0720840X	7'Rx6'	4	3		
RA0720840*	7'Rx6' RETURN	2	2		
RA0480840X	7'Rx4'	2	1		
RA0120840X	7'Rx1'	-	2		
RA0120840S	7'Rx1' STEP	-	2		
RA072102SC	6'0"X4" STEP CONNECTOR	-	1		
Brace	Brace	10	12		
IPC-DRVSTK12G	BRACE COMP D-STK 3"X24" 90D 12G	10	12		
IPC-BT52WCS-2	COMPRESSION STRAP 2PC	32	38		
IPC-STKPK25	REBAR STAKE 18" 25PC	2	2		
IPC-HDWSTRT150	BOLT STR 3/8-16X1" C/W NUT 150PC	2	2		
STP69X4P	ACRYLIC STEP FRENCH CURVE 6' (48")	-	1		



	A	B	C	D
1	9'-10 3/4"	22'-1 3/4"	22'-1 3/4"	9'-10 3/4"
2	22'-1 3/4"	9'-10 3/4"	9'-10 3/4"	22'-1 3/4"
3	7'-0"	21'-0"	25'-3"	15'-7 3/4"
4	21'-0"	7'-0"	15'-7 3/4"	25'-3"
5	25'-3"	15'-7 3/4"	7'-0"	21'-0"
6	15'-7 3/4"	25'-3"	21'-0"	7'-0"
A	-	28'-0"	31'-3 3/4"	14'-0"

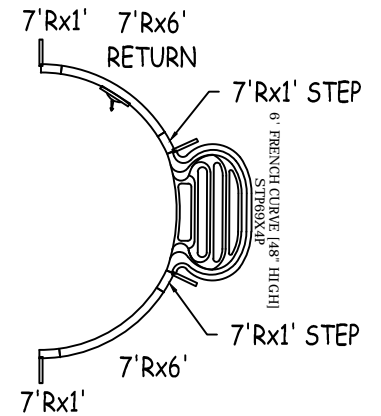
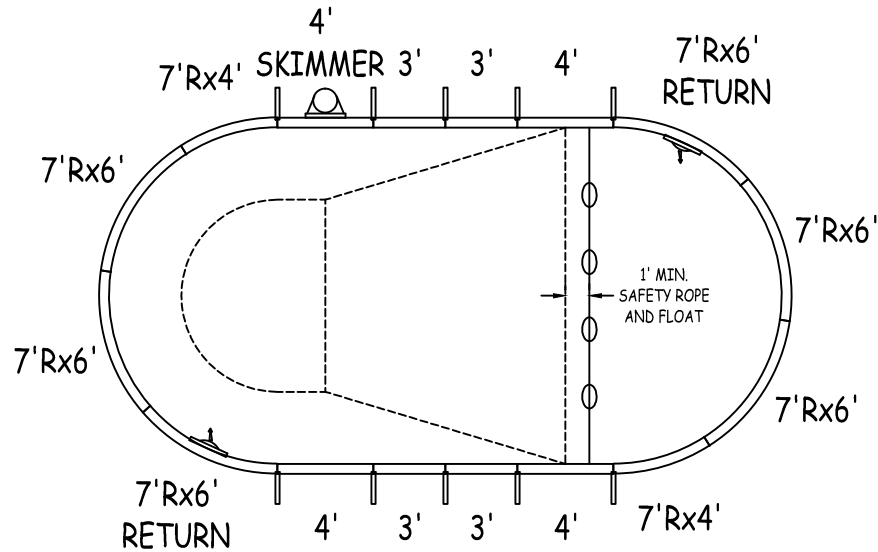
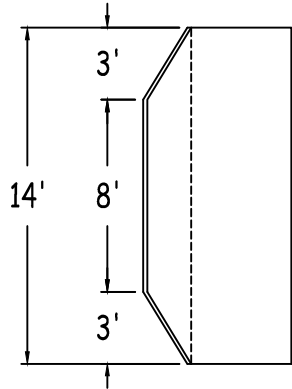
OVAL-FLAT BOTTOM 14-0 X 28-0

DWG #: B5OVFBS1428-15

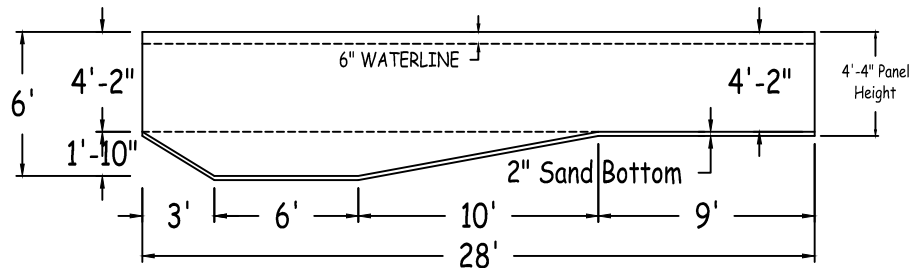
DATE: 1/1/2015

SHEET: 2 OF 2

IN ACCORDANCE WITH ANSI/APSP/ICC-5 2011, THE INSTALLER IS RESPONSIBLE FOR PLACING ONE SKIMMER FOR EVERY 800 SQUARE FEET OF SURFACE AREA AND ONE RETURN FOR EVERY 300 SQUARE FEET OF SURFACE AREA.



6' STEP OPTION

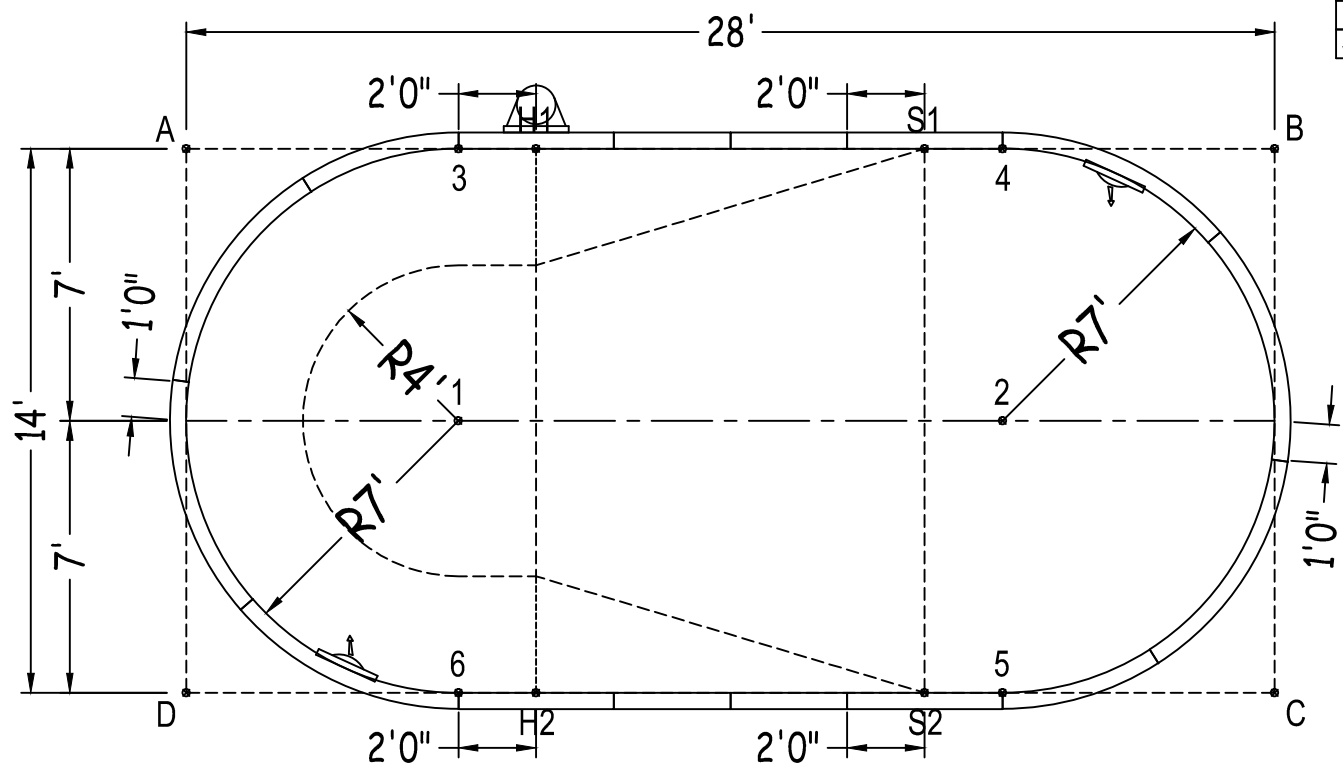


<b>Bartop</b> OG Pool System	<b>OVAL-6' HOPPER 14-0 X 28-0</b>				ALWAYS ENTER POOL Feet First MEETS DEPTH AND SHAPE MINIMUM STANDARD ANSI/APSP/ICC-5 2011	<b>NON-DIVING POOL</b>	
	52" STEEL PANELS	PERIMETER: 72'-0"	VOLUME (US Gal): 11200	VOLUME (Liters): 42400		USE OF DIVING EQUIPMENT IS PROHIBITED	
DWG#: B50VHPS1428-15	SURFACE (ft²): 350	DATE: 1/1/2015	DSR:				
KIT#: OVHPS1428	COVER (ft²): 480	SCALE: 1/8" = 1'-0"					

**OVAL-6' HOPPER**

Center To Center	
1 To 2	14'-0"
Diagonals	
3 To 4	14'-0"
3 To 5	19'-9 1/2"
3 To 6	14'-0"
4 To 5	14'-0"
4 To 6	19'-9 1/2"
5 To 6	14'-0"

Part number	Description	Option 1	
		Base	QTY
ST0480000X	4'	3	3
ST0480000*	4' SKIMMER	1	1
ST0360000X	3'	4	4
RA0720840X	7'Rx6'	4	3
RA0720840*	7'Rx6' RETURN	2	2
RA0480840X	7'Rx4'	2	1
RA0120840X	7'Rx1'	-	2
RA0120840S	7'Rx1' STEP	-	2
RA072102SC	6'0"X4" STEP CONNECTOR	-	1
Brace	Brace	10	12
IPC-DRVSTK12G	BRACE COMP D-STK 3"X24" 90D 12G	10	12
IPC-BT52WCS-2	COMPRESSION STRAP 2PC	32	38
IPC-STKPK25	REBAR STAKE 18" 25PC	2	2
IPC-HDWSTRT150	BOLT STR 3/8-16X1" C/W NUT 150PC	2	2
STP69X4P	ACRYLIC STEP FRENCH CURVE 6' (48")	-	1



	A	B	C	D
1	9'-10 3/4"	22'-1 3/4"	22'-1 3/4"	9'-10 3/4"
2	22'-1 3/4"	9'-10 3/4"	9'-10 3/4"	22'-1 3/4"
3	7'-0"	21'-0"	25'-3"	15'-7 3/4"
4	21'-0"	7'-0"	15'-7 3/4"	25'-3"
5	25'-3"	15'-7 3/4"	7'-0"	21'-0"
6	15'-7 3/4"	25'-3"	21'-0"	7'-0"
S2	23'-7 1/4"	16'-7 3/4"	9'-0"	19'-0"
S1	19'-0"	9'-0"	16'-7 3/4"	23'-7 1/4"
H2	16'-7 3/4"	23'-7 1/4"	19'-0"	9'-0"
H1	9'-0"	19'-0"	23'-7 1/4"	16'-7 3/4"
A	-	28'-0"	31'-3 3/4"	14'-0"

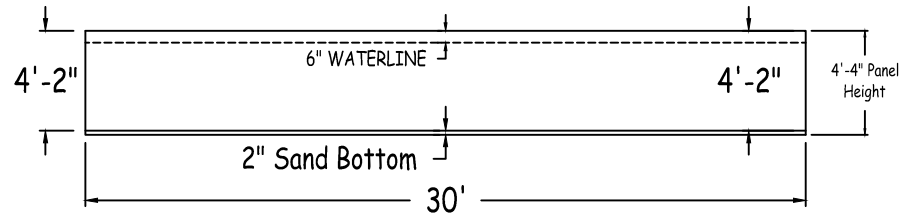
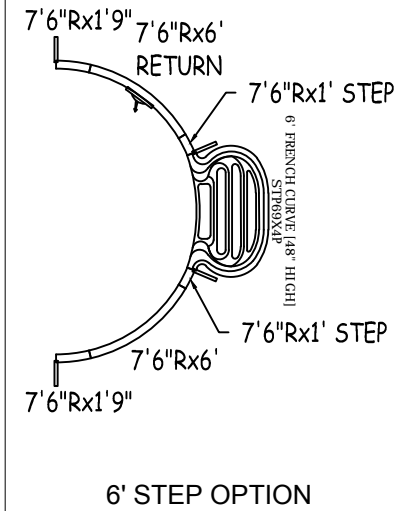
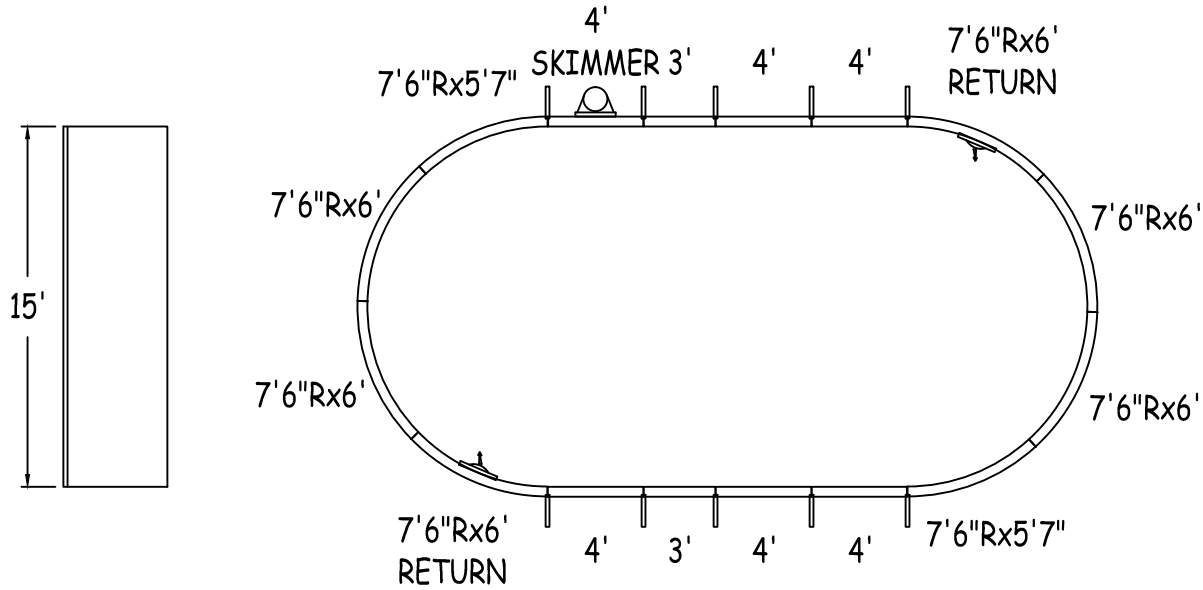
OVAL-6' HOPPER 14-0 X 28-0

DWG #: B5OVHPS1428-15

DATE: 1/1/2015

SHEET: 2 OF 2

IN ACCORDANCE WITH ANSI/APSP/ICC-5 2011, THE INSTALLER IS RESPONSIBLE FOR PLACING ONE SKIMMER FOR EVERY 800 SQUARE FEET OF SURFACE AREA AND ONE RETURN FOR EVERY 300 SQUARE FEET OF SURFACE AREA.



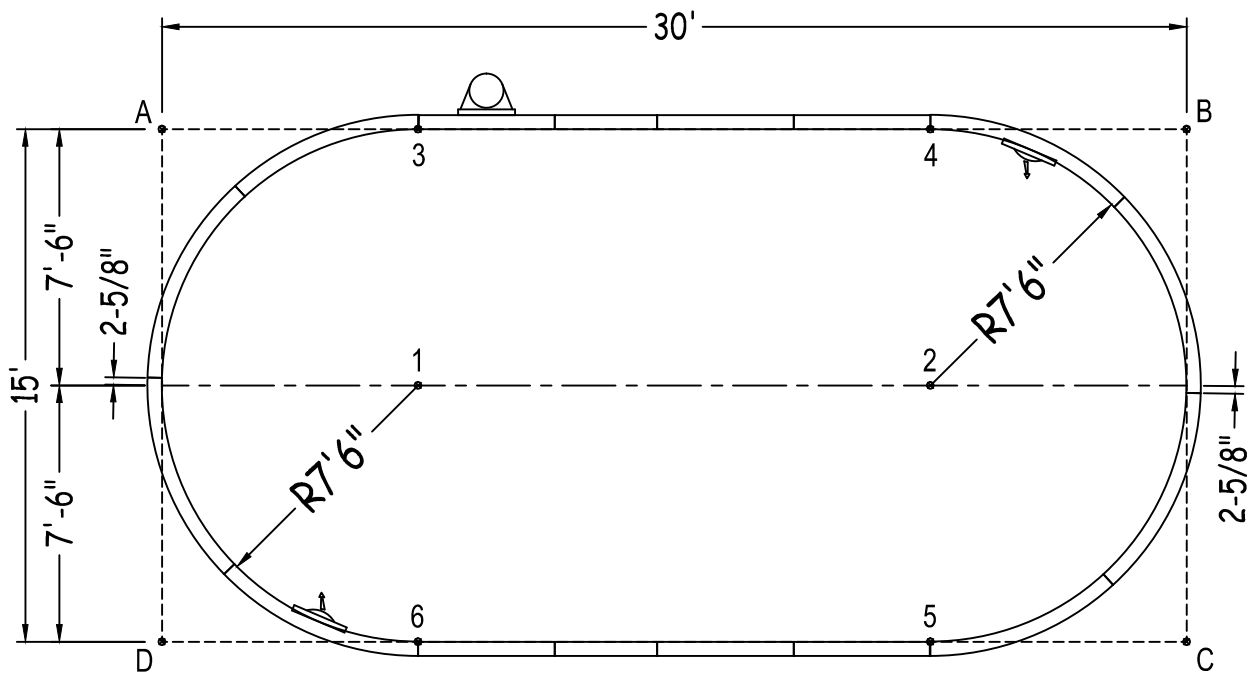
<b>Bartop</b> OG Pool System		<b>OVAL-FLAT BOTTOM 15-0 X 30-0</b>		<p>ALWAYS ENTER POOL</p> <p><b>Feet First</b></p> <p>MEETS DEPTH AND SHAPE MINIMUM STANDARD ANSI/APSP/ICC-5 2011</p>		<p><b>NON-DIVING POOL</b></p> <p>USE OF DIVING EQUIPMENT IS PROHIBITED</p>	
52" STEEL PANELS	PERIMETER: 77'-1"	VOLUME (US Gal): 11000					
DWG#: B5OVFBS1530-15	SURFACE (ft²): 402	VOLUME (Liters): 41600	DATE: 1/1/2015	DSR:			
KIT#: OVFB1530	COVER (ft²): 544	SCALE: 1/8" = 1'-0"					

**OVAL-FLAT BOTTOM**

SHEET: 1 OF 2

Center To Center	
1 To 2	15'-0"
Diagonals	
3 To 4	15'-0"
3 To 5	21'-2 1/2"
3 To 6	15'-0"
4 To 5	15'-0"
4 To 6	21'-2 1/2"
5 To 6	15'-0"

Part number	Description	Option 1	
		Base	QTY
ST0480000X	4'	5	5
ST0480000*	4' SKIMMER	1	1
ST0360000X	3'	2	2
RA0720900X	7'6"Rx6'	4	3
RA0720900*	7'6"Rx6' RETURN	2	2
RA0670900X	7'6"Rx5'7"	2	1
RA0210900X	7'6"Rx1'9"	-	2
RA0120900S	7'6"Rx1' STEP	-	2
RA072102SC	6'0"X4" STEP CONNECTOR	-	1
Brace	Brace	10	12
IPC-DRVSTK12G	BRACE COMP D-STK 3"X24" 90D 12G	10	12
IPC-BT52WCS-2	COMPRESSION STRAP 2PC	32	38
IPC-STKPK25	REBAR STAKE 18" 25PC	2	2
IPC-HDWSTRT150	BOLT STR 3/8-16X1" C/W NUT 150PC	2	2
STP69X4P	ACRYLIC STEP FRENCH CURVE 6' (48")	-	1



	A	B	C	D
1	10'-7 1/4"	23'-8 1/2"	23'-8 1/2"	10'-7 1/4"
2	23'-8 1/2"	10'-7 1/4"	10'-7 1/4"	23'-8 1/2"
3	7'-6"	22'-6"	27'- 1/2"	16'-9 1/4"
4	22'-6"	7'-6"	16'-9 1/4"	27'- 1/2"
5	27'- 1/2"	16'-9 1/4"	7'-6"	22'-6"
6	16'-9 1/4"	27'- 1/2"	22'-6"	7'-6"
A	-	30'-0"	33'-6 1/2"	15'-0"

OVAL-FLAT BOTTOM 15-0 X 30-0

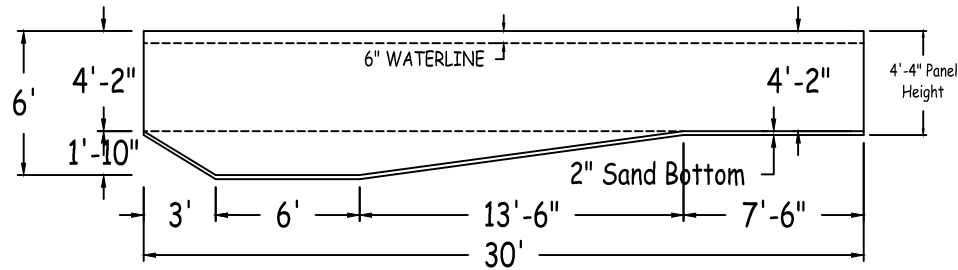
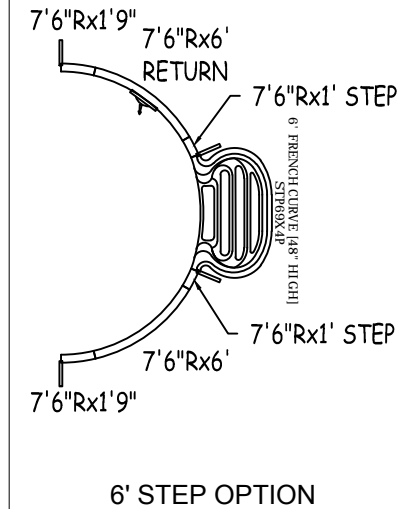
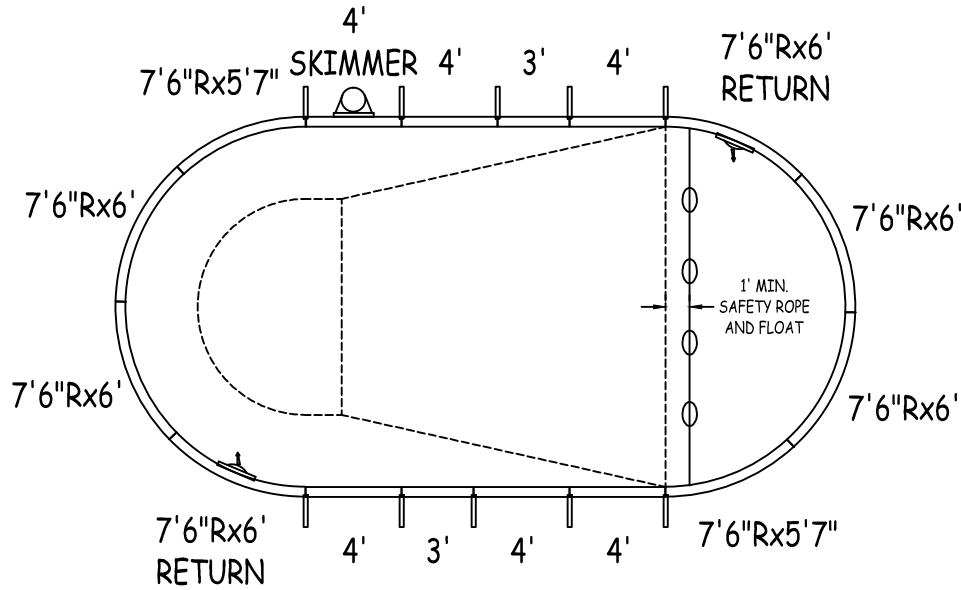
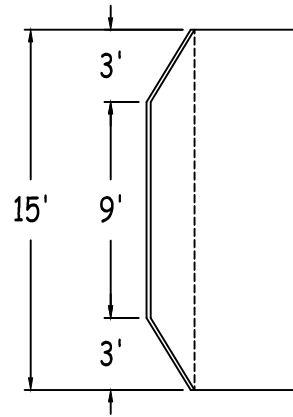
DWG #: B5OVFBS1530-15


DATE: 1/1/2015

SHEET: 2 OF 2



IN ACCORDANCE WITH ANSI/APSP/ICC-5 2011, THE INSTALLER IS RESPONSIBLE FOR PLACING ONE SKIMMER FOR EVERY 800 SQUARE FEET OF SURFACE AREA AND ONE RETURN FOR EVERY 300 SQUARE FEET OF SURFACE AREA.



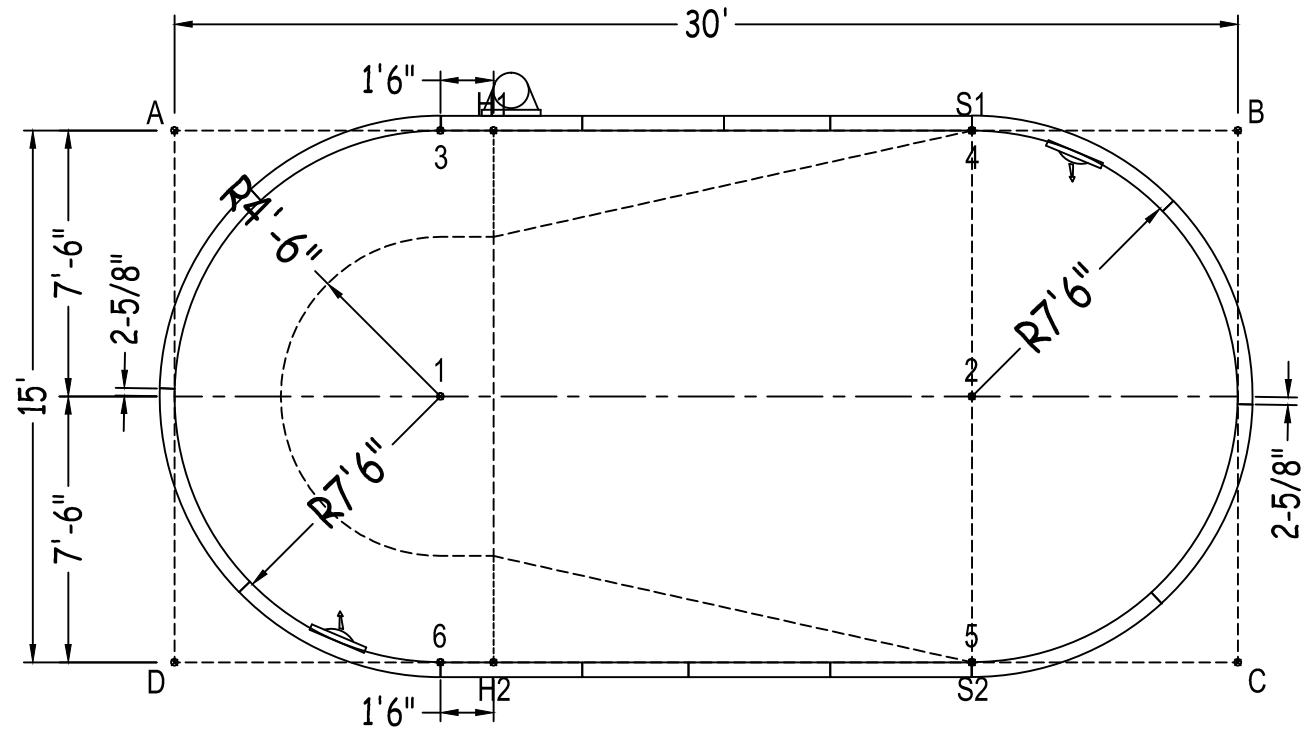
<b>Bartop</b> OG Pool System		<b>OVAL-6' HOPPER 15-0 X 30-0</b>		<p>ALWAYS ENTER POOL</p>  <p><b>NON-DIVING POOL</b></p> <p>USE OF DIVING EQUIPMENT IS PROHIBITED</p>	
52" STEEL PANELS	PERIMETER: 77'-1"	VOLUME (US Gal): 12900			
DWG#: B5OVHPS1530-15	SURFACE (ft²): 402	VOLUME (Liters): 48800			
KIT#: OVHPS1530	LINER (ft²): 450	DATE: 1/1/2015	DSR:		
	COVER (ft²): 544	SCALE: 1/8" = 1'-0"	<p>MEETS DEPTH AND SHAPE MINIMUM STANDARD ANSI/APSP/ICC-5 2011</p>		

**OVAL-6' HOPPER**

SHEET: 1 OF 2

Center To Center	
1 To 2	15'-0"
Diagonals	
3 To 4	15'-0"
3 To 5	21'-2 1/2"
3 To 6	15'-0"
4 To 5	15'-0"
4 To 6	21'-2 1/2"
5 To 6	15'-0"

Part number	Description	Option 1	
		Base	Qty
ST0480000X	4'	5	5
ST0480000*	4' SKIMMER	1	1
ST0360000X	3'	2	2
RA0720900X	7'6"Rx6'	4	3
RA0720900*	7'6"Rx6' RETURN	2	2
RA0670900X	7'6"Rx5'7"	2	1
RA0210900X	7'6"Rx1'9"	-	2
RA0120900S	7'6"Rx1' STEP	-	2
RA072102SC	6'0"X4" STEP CONNECTOR	-	1
Brace	Brace	10	12
IPC-DRVSTK12G	BRACE COMP D-STK 3"X24" 90D 12G	10	12
IPC-BT52WCS-2	COMPRESSION STRAP 2PC	32	38
IPC-STKPK25	REBAR STAKE 18" 25PC	2	2
IPC-HDWSTRT150	BOLT STR 3/8-16X1" C/W NUT 150PC	2	2
STP69X4P	ACRYLIC STEP FRENCH CURVE 6' (48")	-	1



	A	B	C	D
1	10'-7 1/4"	23'-8 1/2"	23'-8 1/2"	10'-7 1/4"
2	23'-8 1/2"	10'-7 1/4"	10'-7 1/4"	23'-8 1/2"
3	7'-6"	22'-6"	27'- 1/2"	16'-9 1/4"
4	22'-6"	7'-6"	16'-9 1/4"	27'- 1/2"
5	27'- 1/2"	16'-9 1/4"	7'-6"	22'-6"
6	16'-9 1/4"	27'- 1/2"	22'-6"	7'-6"
S2	27'- 1/2"	16'-9 1/4"	7'-6"	22'-6"
S1	22'-6"	7'-6"	16'-9 1/4"	27'- 1/2"
H2	17'-6"	25'-9 3/4"	21'-0"	9'-0"
H1	9'-0"	21'-0"	25'-9 3/4"	17'-6"
A	-	30'-0"	33'-6 1/2"	15'-0"

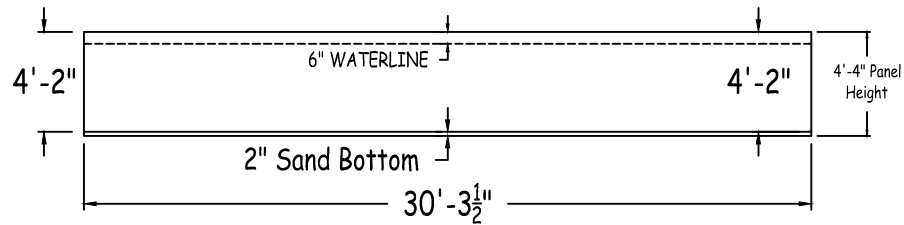
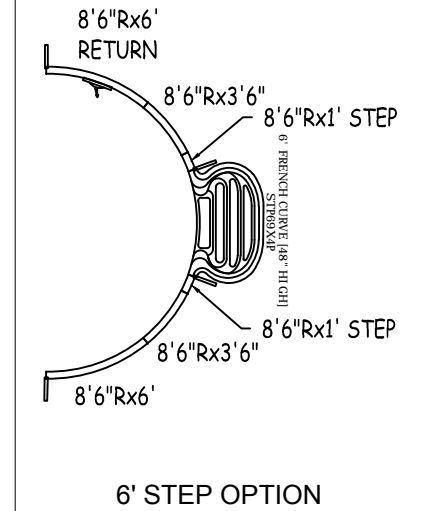
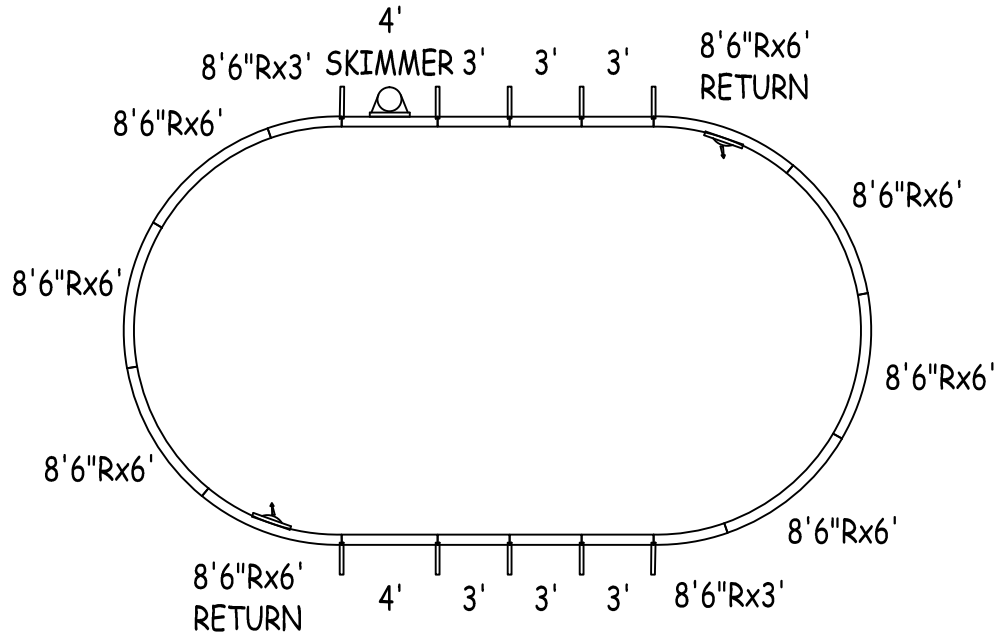
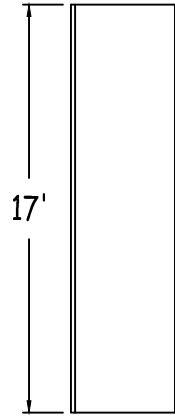
OVAL-6' HOPPER 15-0 X 30-0

DWG #: B5OVHPS1530-15

DATE: 1/1/2015

SHEET: 2 OF 2

IN ACCORDANCE WITH ANSI/APSP/ICC-5 2011, THE INSTALLER IS RESPONSIBLE FOR PLACING ONE SKIMMER FOR EVERY 800 SQUARE FEET OF SURFACE AREA AND ONE RETURN FOR EVERY 300 SQUARE FEET OF SURFACE AREA.

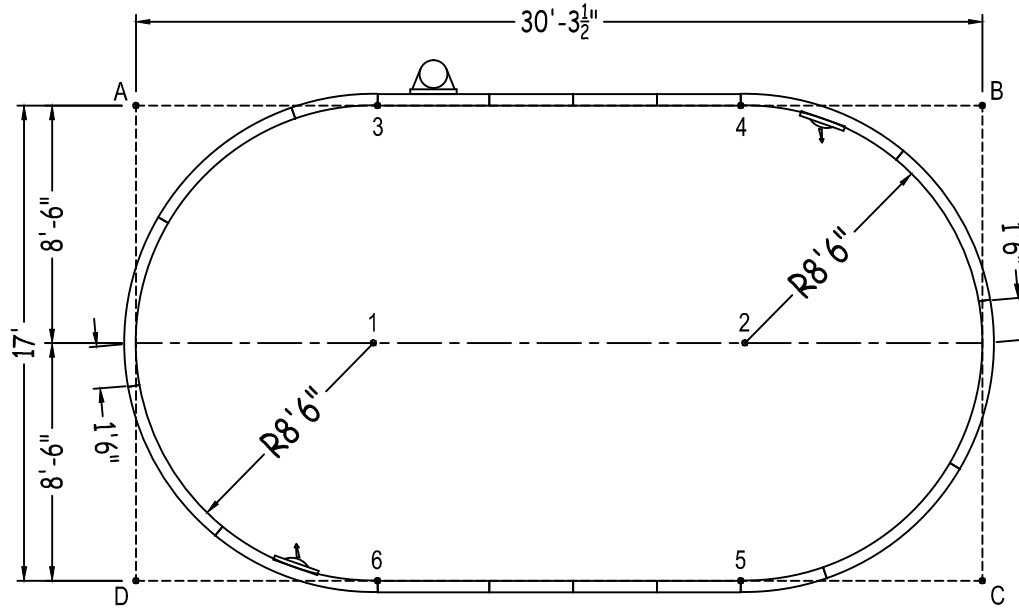


<b>Bartop</b> OG Pool System		<b>OVAL-FLAT BOTTOM 17-0 X 30-4</b>		<p>ALWAYS ENTER POOL</p> <p><b>Feet First</b></p> <p>MEETS DEPTH AND SHAPE MINIMUM STANDARD ANSI/APSP/ICC-5 2011</p>		<p><b>NON-DIVING POOL</b></p> <p>USE OF DIVING EQUIPMENT IS PROHIBITED</p>	
52" STEEL PANELS	PERIMETER:	80'-0"	VOLUME (US Gal):	12400			
DWG#:	SURFACE (ft²):	453	VOLUME (Liters):	46900			
<b>B5OVFBS1730-15</b>	LINER (ft²):	515	DATE:	1/1/2015	DSR:		
KIT#:	OVFBS1730	COVER (ft²):	614	SCALE:	1/8" = 1'-0"		

**OVAL-FLAT BOTTOM**

SHEET: 1 OF 2

Center To Center	
1 To 2	13'-3 1/2"
Diagonals	
3 To 4	13'-0"
3 To 5	21'-4 3/4"
3 To 6	17'-0"
4 To 5	17'-0"
4 To 6	21'-4 3/4"
5 To 6	13'-0"



Part number	Description	Base		Option 1	
		QTY	QTY	QTY	QTY
ST0480000X	4'	1	1		
ST0480000*	4' SKIMMER	1	1		
ST0360000X	3'	6	6		
RA0721020X	8'6"Rx6'	6	4		
RA0721020*	8'6"Rx6' RETURN	2	2		
RA0421020X	8'6"Rx3'6"	-	2		
RA0361020X	8'6"Rx3'	2	1		
RA0121020S	8'6"Rx1' STEP	-	2		
RA072102SC	6'0"X4" STEP CONNECTOR	-	1		
Brace	Brace	10	12		
IPC-DRVSTK12G	BRACE COMP D-STK 3"X24" 90D 12G	10	12		
IPC-BT52WCS-2	COMPRESSION STRAP 2PC	36	40		
IPC-STKPK25	REBAR STAKE 18" 25PC	2	2		
IPC-HDWSTRT150	BOLT STR 3/8-16X1" C/W NUT 150PC	2	2		
STP69X4P	ACRYLIC STEP FRENCH CURVE 6' (48")	-	1		

	A	B	C	D
1	12'- 1/4"	23'-4 3/4"	23'-4 3/4"	12'- 1/4"
2	23'-4 3/4"	12'- 1/4"	12'- 1/4"	23'-4 3/4"
3	8'-7 3/4"	21'-7 3/4"	27'-6 1/4"	19'- 3/4"
4	21'-7 3/4"	8'-7 3/4"	19'- 3/4"	27'-6 1/4"
5	27'-6 1/4"	19'- 3/4"	8'-7 3/4"	21'-7 3/4"
6	19'- 3/4"	27'-6 1/4"	21'-7 3/4"	8'-7 3/4"
A	-	30'-3 1/2"	34'-9"	17'-0"

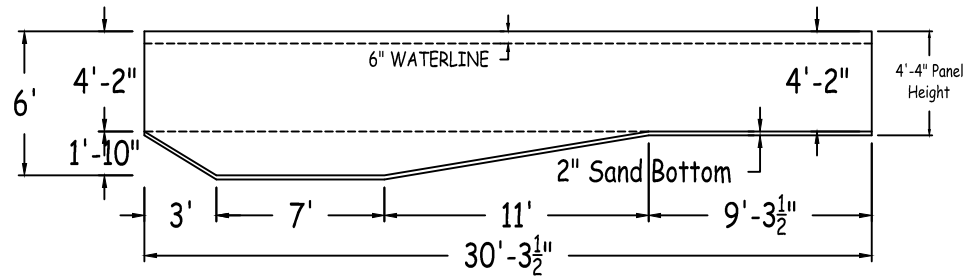
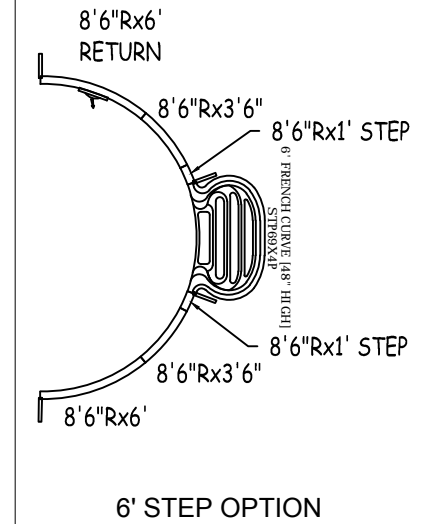
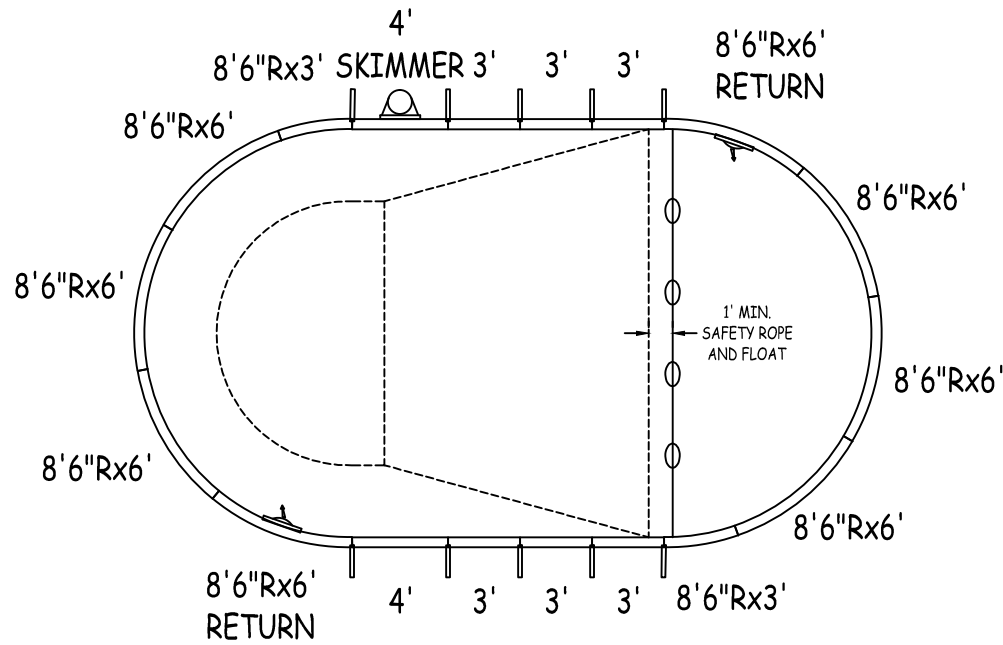
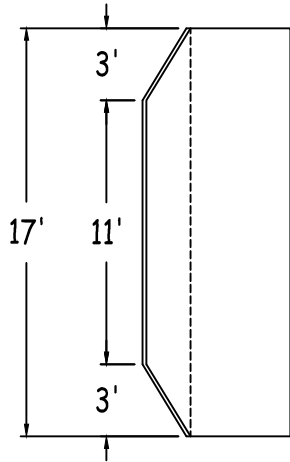
OVAL-FLAT BOTTOM 17-0 X 30-4


DWG #: B5OVFBS1730-15

DATE: 1/1/2015

SHEET: 2 OF 2

IN ACCORDANCE WITH ANSI/APSP/ICC-5 2011, THE INSTALLER IS RESPONSIBLE FOR PLACING ONE SKIMMER FOR EVERY 800 SQUARE FEET OF SURFACE AREA AND ONE RETURN FOR EVERY 300 SQUARE FEET OF SURFACE AREA.

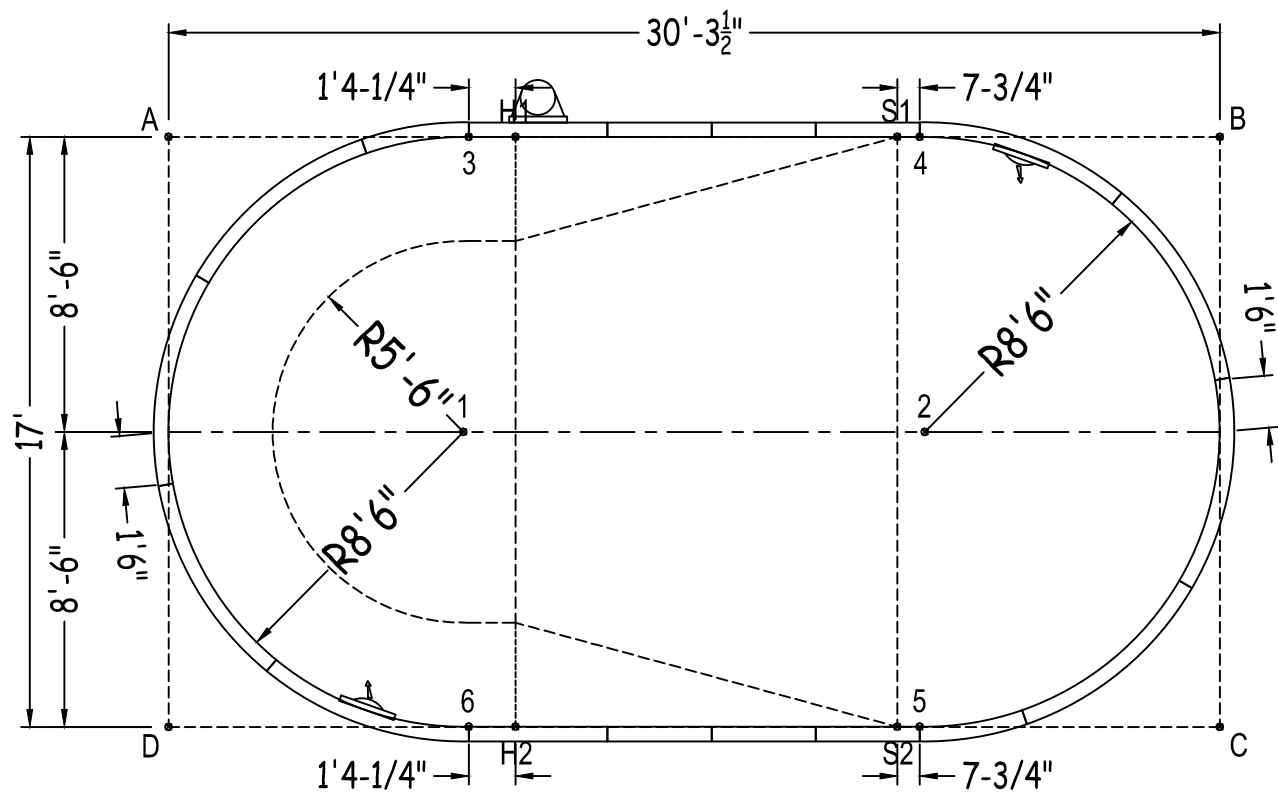


<b>Bartop</b> OG Pool System		<b>OVAL-6' HOPPER 17-0 X 30-4</b>		ALWAYS ENTER POOL		<b>NON-DIVING POOL</b>		
52" STEEL PANELS	PERIMETER: 80'-0"	VOLUME (US Gal): 14500	 <b>Feet First</b> <small>MEETS DEPTH AND SHAPE MINIMUM STANDARD ANSI/APSP/ICC-5 2011</small>					USE OF DIVING EQUIPMENT IS PROHIBITED
DWG#: B5OVHPS1730-15	SURFACE (ft²): 453	VOLUME (Liters): 54900						
KIT#: OVHPS1730	LINER (ft²): 515	DATE: 1/1/2015						DSR:
	COVER (ft²): 614	SCALE: 1/8" = 1'-0"						

**OVAL-6' HOPPER**

Center To Center	
1 To 2	13'-3 1/2"
Diagonals	
3 To 4	13'-0"
3 To 5	21'-4 3/4"
3 To 6	17'-0"
4 To 5	17'-0"
4 To 6	21'-4 3/4"
5 To 6	13'-0"

Part number	Description	Base		Option 1	
		QTY	QTY	QTY	QTY
ST0480000X	4'	1	1		
ST0480000*	4' SKIMMER	1	1		
ST0360000X	3'	6	6		
RA0721020X	8'6"Rx6'	6	5		
RA0721020*	8'6"Rx6' RETURN	2	1		
RA0421020X	8'6"Rx3'6"	-	2		
RA0361020X	8'6"Rx3'	2	1		
RA0121020S	8'6"Rx1' STEP	-	2		
RA072102SC	6'0"X4" STEP CONNECTOR	-	1		
Brace	Brace	10	12		
IPC-DRVSTK12G	BRACE COMP D-STK 3"X24" 90D 12G	10	12		
IPC-BT52WCS-2	COMPRESSION STRAP 2PC	36	40		
IPC-STKPK25	REBAR STAKE 18" 25PC	2	2		
IPC-HDWSTRT150	BOLT STR 3/8-16X1" C/W NUT 150PC	2	2		
STP69X4P	ACRYLIC STEP FRENCH CURVE 6' (48")	-	1		



	A	B	C	D
1	12'- 1/4"	23'-4 3/4"	23'-4 3/4"	12'- 1/4"
2	23'-4 3/4"	12'- 1/4"	12'- 1/4"	23'-4 3/4"
3	8'-7 3/4"	21'-7 3/4"	27'-6 1/4"	19'- 3/4"
4	21'-7 3/4"	8'-7 3/4"	19'- 3/4"	27'-6 1/4"
5	27'-6 1/4"	19'- 3/4"	8'-7 3/4"	21'-7 3/4"
6	19'- 3/4"	27'-6 1/4"	21'-7 3/4"	8'-7 3/4"
S2	27'- 1/4"	19'-4 1/2"	9'-3 1/2"	21'-0"
S1	21'-0"	9'-3 1/2"	19'-4 1/2"	27'- 1/4"
H2	19'-8 3/4"	26'-5 3/4"	20'-3 1/2"	10'-0"
H1	10'-0"	20'-3 1/2"	26'-5 3/4"	19'-8 3/4"
A	-	30'-3 1/2"	34'-9"	17'-0"

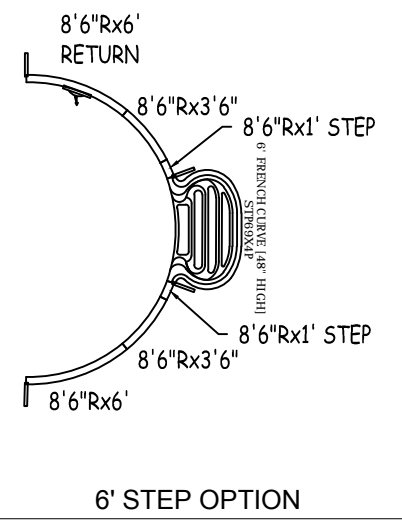
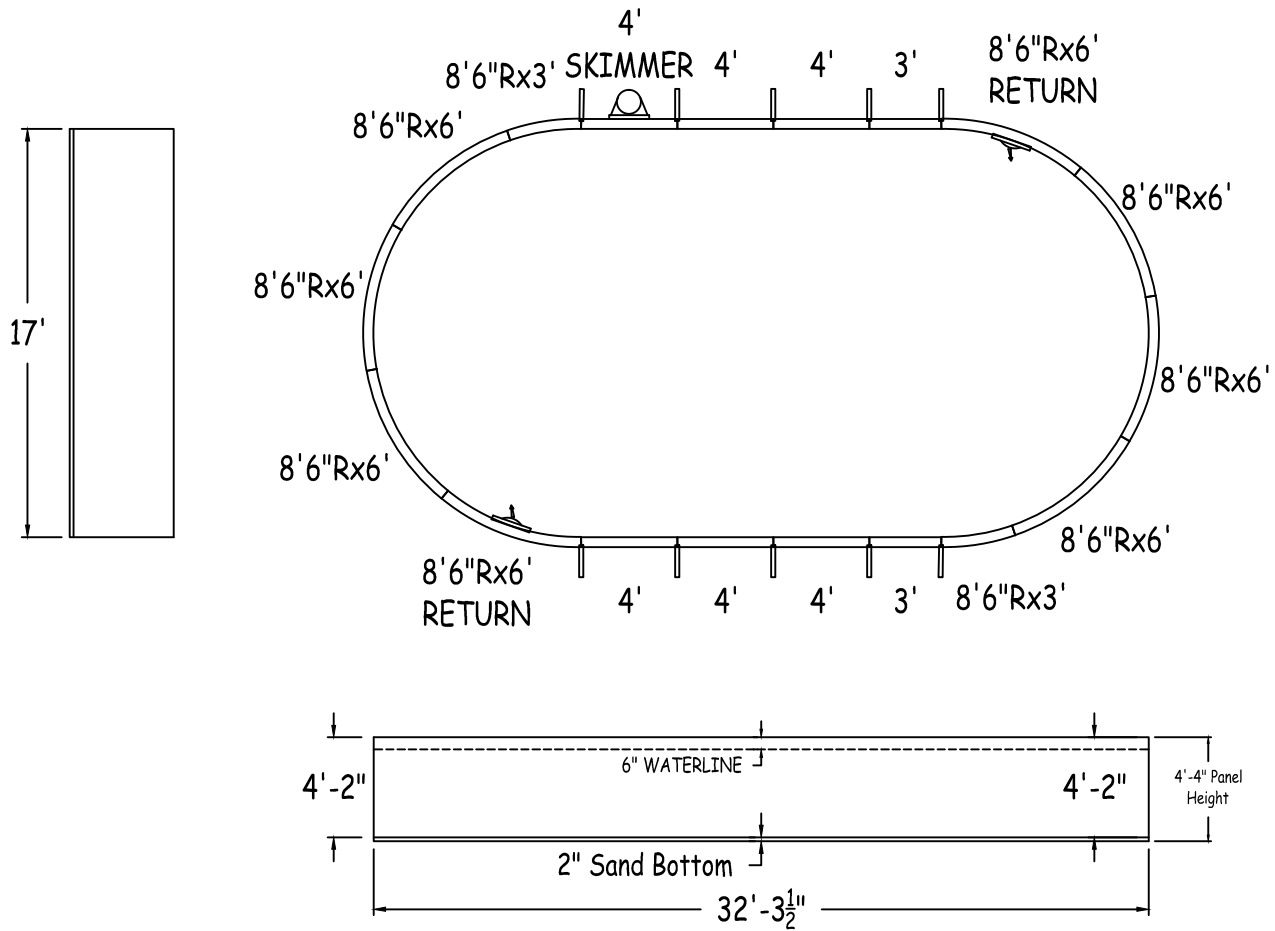
OVAL-6' HOPPER 17-0 X 30-4


DWG #: B5OVHPS1730-15

DATE: 1/1/2015

SHEET: 2 OF 2

IN ACCORDANCE WITH ANSI/APSP/ICC-5 2011, THE INSTALLER IS RESPONSIBLE FOR PLACING ONE SKIMMER FOR EVERY 800 SQUARE FEET OF SURFACE AREA AND ONE RETURN FOR EVERY 300 SQUARE FEET OF SURFACE AREA.

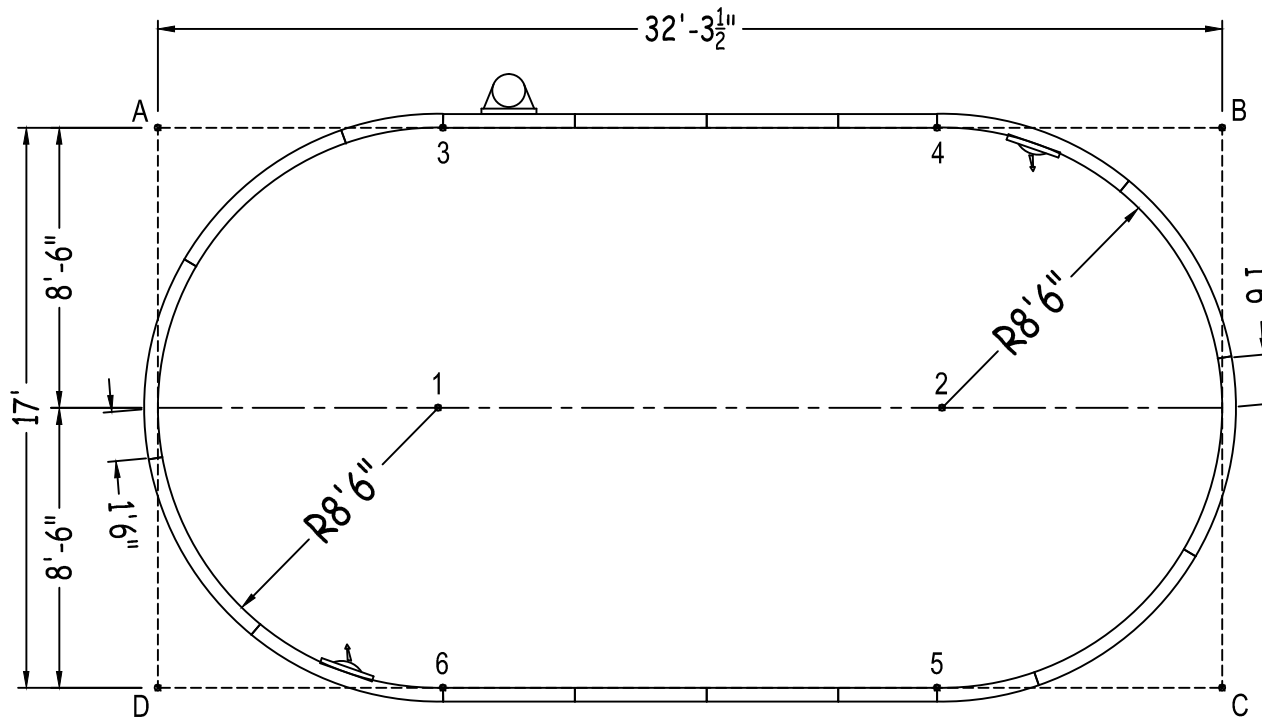


<b>Bartop</b> OG Pool System		<b>OVAL-FLAT BOTTOM 17-0 X 32-4</b>		ALWAYS ENTER POOL  <b>Feet First</b> NON-DIVING POOL USE OF DIVING EQUIPMENT IS PROHIBITED <small>MEETS DEPTH AND SHAPE MINIMUM STANDARD ANSI/APSP/ICC-5 2011</small>	
52" STEEL PANELS	PERIMETER: 84'-0"	VOLUME (US Gal): 13400			
DWG#: B5OVFBS1732-15	SURFACE (ft²): 487	VOLUME (Liters): 50700	DATE: 1/1/2015	DSR:	
KIT#: OVFBS1732	LINER (ft²): 549	COVER (ft²): 652	SCALE: 1/8" = 1'-0"		

**OVAL-FLAT BOTTOM**

Center To Center	
1 To 2	15'-3 1/2"
Diagonals	
3 To 4	15'-0"
3 To 5	22'-8"
3 To 6	17'-0"
4 To 5	17'-0"
4 To 6	22'-8"
5 To 6	15'-0"

Part number	Description	Base		Option 1	
		QTY	QTY	QTY	QTY
ST0480000X	4'		5	5	
ST0480000*	4' SKIMMER		1	1	
ST0360000X	3'		2	2	
RA0721020X	8'6"Rx6'		6	4	
RA0721020*	8'6"Rx6' RETURN		2	2	
RA0421020X	8'6"Rx3'6"		-	2	
RA0361020X	8'6"Rx3'		2	1	
RA0121020S	8'6"Rx1' STEP		-	2	
RA072102SC	6'0"X4" STEP CONNECTOR		-	1	
Brace	Brace		10	12	
IPC-DRVSTK12G	BRACE COMP D-STK 3"X24" 90D 12G		10	12	
IPC-BT52WCS-2	COMPRESSION STRAP 2PC		32	40	
IPC-STKPK25	REBAR STAKE 18" 25PC		2	2	
IPC-HDWSTRT150	BOLT STR 3/8-16X1" C/W NUT 150PC		2	2	
STP69X4P	ACRYLIC STEP FRENCH CURVE 6' (48")		-	1	



	A	B	C	D
1	12'- 1/4"	25'-3 1/4"	25'-3 1/4"	12'- 1/4"
2	25'-3 1/4"	12'- 1/4"	12'- 1/4"	25'-3 1/4"
3	8'-7 3/4"	23'-7 3/4"	29'-1 1/2"	19'- 3/4"
4	23'-7 3/4"	8'-7 3/4"	19'- 3/4"	29'-1 1/2"
5	29'-1 1/2"	19'- 3/4"	8'-7 3/4"	23'-7 3/4"
6	19'- 3/4"	29'-1 1/2"	23'-7 3/4"	8'-7 3/4"
A	-	32'-3 1/2"	36'-6"	17'-0"

OVAL-FLAT BOTTOM 17-0 X 32-4

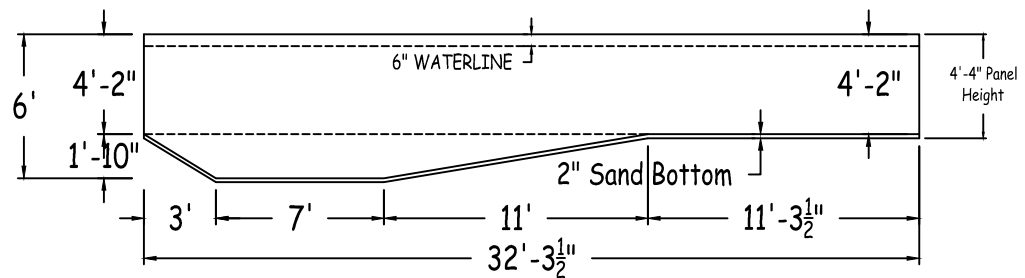
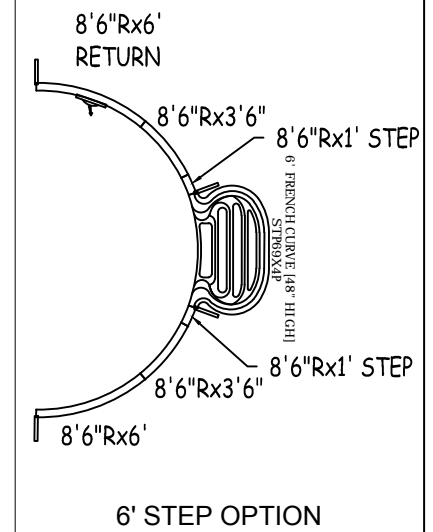
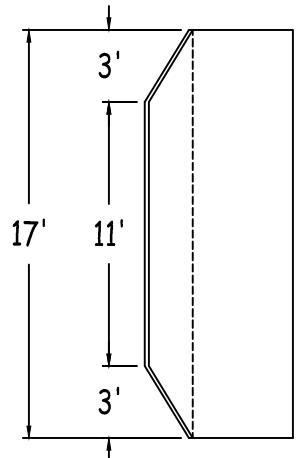
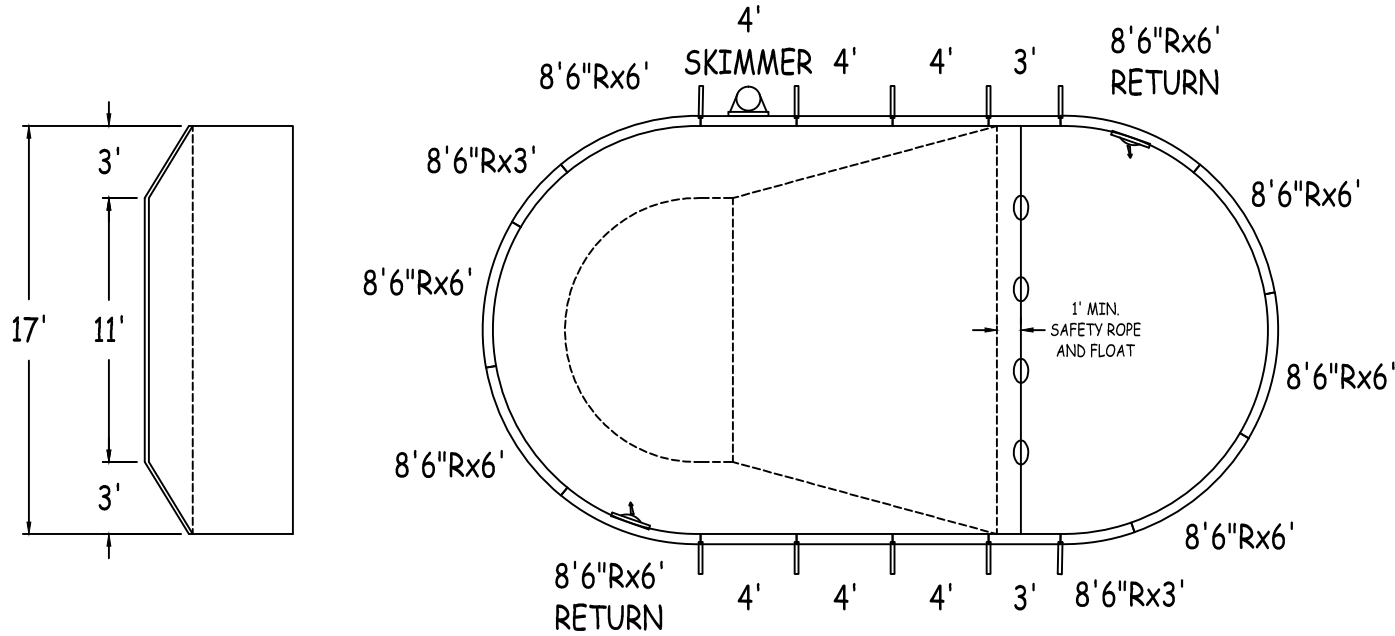
DWG #: B5OVFBS1732-15

DATE: 1/1/2015

SHEET: 2 OF 2



IN ACCORDANCE WITH ANSI/APSP/ICC-5 2011, THE INSTALLER IS RESPONSIBLE FOR PLACING ONE SKIMMER FOR EVERY 800 SQUARE FEET OF SURFACE AREA AND ONE RETURN FOR EVERY 300 SQUARE FEET OF SURFACE AREA.

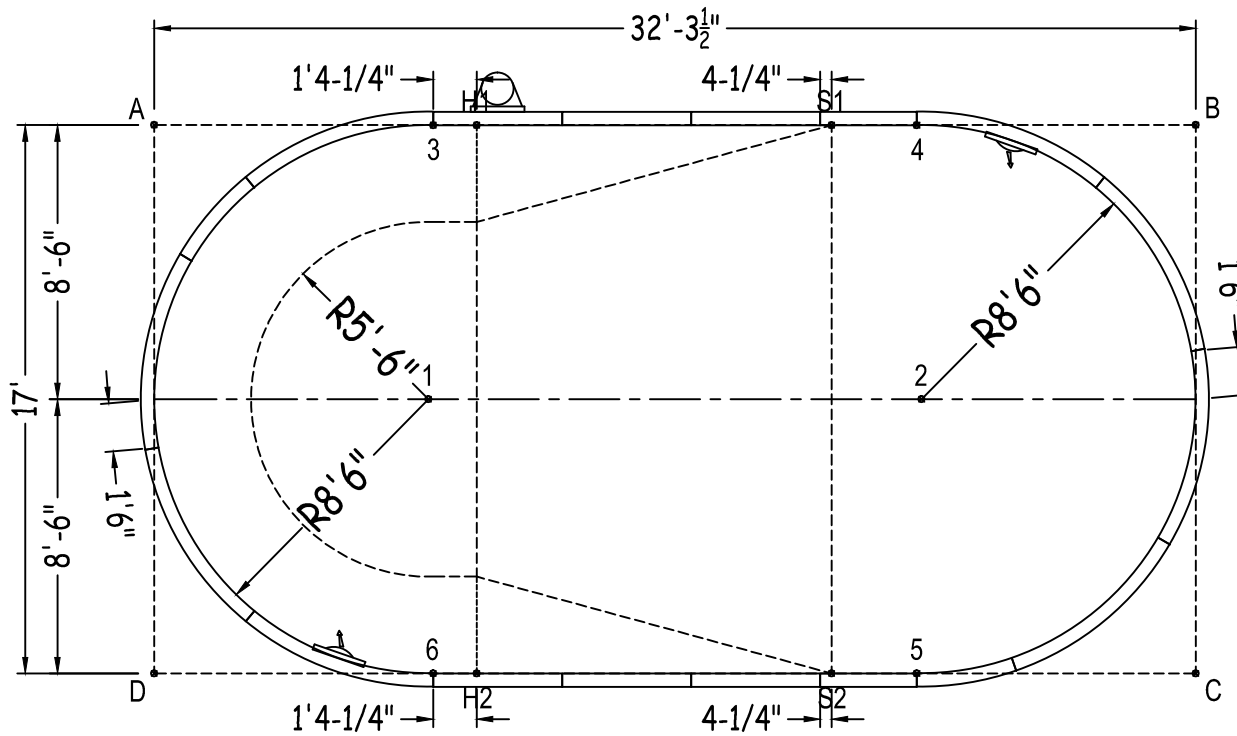


<b>Bartop</b> OG Pool System	<b>OVAL-6' HOPPER 17-0 X 32-4</b>				ALWAYS ENTER POOL  <b>Feet First</b> MEETS DEPTH AND SHAPE MINIMUM STANDARD ANSI/APSP/ICC-5 2011	<b>NON-DIVING POOL</b>	
	52" STEEL PANELS DWG#: B5OVHPS1732-15 KIT#: OVHPS1732	PERIMETER: 84'-0" SURFACE (ft²): 487 LINER (ft²): 549 COVER (ft²): 652	VOLUME (US Gal): 15600 VOLUME (Liters): 59000 DATE: 1/1/2015 SCALE: 1/8" = 1'-0"	DSR:		USE OF DIVING EQUIPMENT IS PROHIBITED	

**OVAL-6' HOPPER**

Center To Center	
1 To 2	15'-3 1/2"
Diagonals	
3 To 4	15'-0"
3 To 5	22'-8"
3 To 6	17'-0"
4 To 5	17'-0"
4 To 6	22'-8"
5 To 6	15'-0"

Part number	Description	Base		Option 1	
		QTY	QTY	QTY	QTY
ST0480000X	4'		5	5	
ST0480000*	4' SKIMMER		1	1	
ST0360000X	3'		2	2	
RA0721020X	8'6"Rx6'		6	4	
RA0721020*	8'6"Rx6' RETURN		2	2	
RA0421020X	8'6"Rx3'6"		-	2	
RA0361020X	8'6"Rx3'		2	1	
RA0121020S	8'6"Rx1' STEP		-	2	
RA072102SC	6'0"X4" STEP CONNECTOR		-	1	
Brace	Brace		10	12	
IPC-DRVSTK12G	BRACE COMP D-STK 3"X24" 90D 12G		10	12	
IPC-BT52WCS-2	COMPRESSION STRAP 2PC		36	40	
IPC-STKPK25	REBAR STAKE 18" 25PC		2	2	
IPC-HDWSTRT150	BOLT STR 3/8-16X1" C/W NUT 150PC		2	2	
STP69X4P	ACRYLIC STEP FRENCH CURVE 6' (48")		-	1	



	A	B	C	D
1	12'- 1/4"	25'-3 1/4"	25'-3 1/4"	12'- 1/4"
2	25'-3 1/4"	12'- 1/4"	12'- 1/4"	25'-3 1/4"
3	8'-7 3/4"	23'-7 3/4"	29'-1 1/2"	19'- 3/4"
4	23'-7 3/4"	8'-7 3/4"	19'- 3/4"	29'-1 1/2"
5	29'-1 1/2"	19'- 3/4"	8'-7 3/4"	23'-7 3/4"
6	19'- 3/4"	29'-1 1/2"	23'-7 3/4"	8'-7 3/4"
S2	27'- 1/4"	20'-5"	11'-3 1/2"	21'-0"
S1	21'-0"	11'-3 1/2"	20'-5"	27'- 1/4"
H2	19'-8 3/4"	28'- 1/2"	22'-3 1/2"	10'-0"
H1	10'-0"	22'-3 1/2"	28'- 1/2"	19'-8 3/4"
A	-	32'-3 1/2"	36'-6"	17'-0"

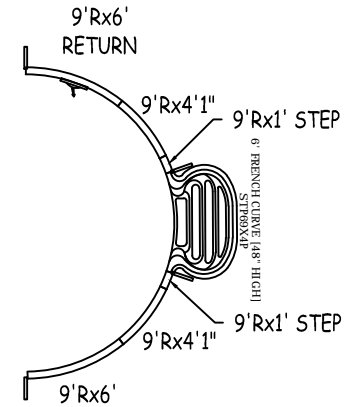
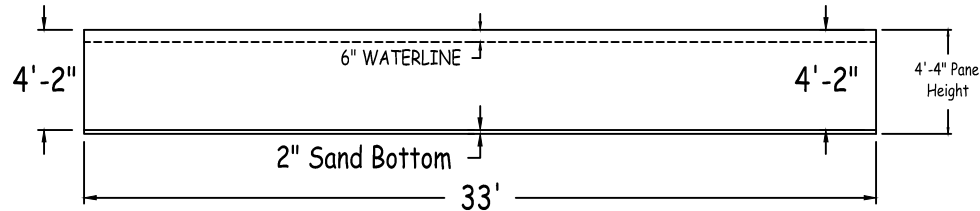
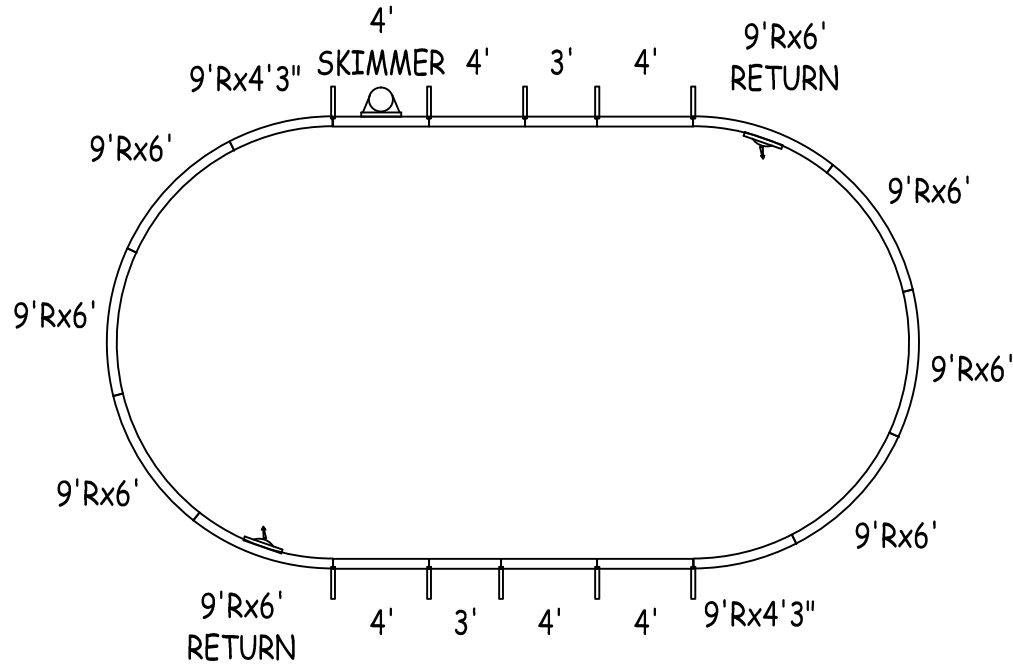
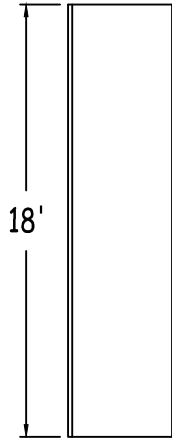
OVAL-6' HOPPER 17-0 X 32-4

DWG #: B5OVHPS1732-15

DATE: 1/1/2015

SHEET: 2 OF 2

IN ACCORDANCE WITH ANSI/APSP/ICC-5 2011, THE INSTALLER IS RESPONSIBLE FOR PLACING ONE SKIMMER FOR EVERY 800 SQUARE FEET OF SURFACE AREA AND ONE RETURN FOR EVERY 300 SQUARE FEET OF SURFACE AREA.



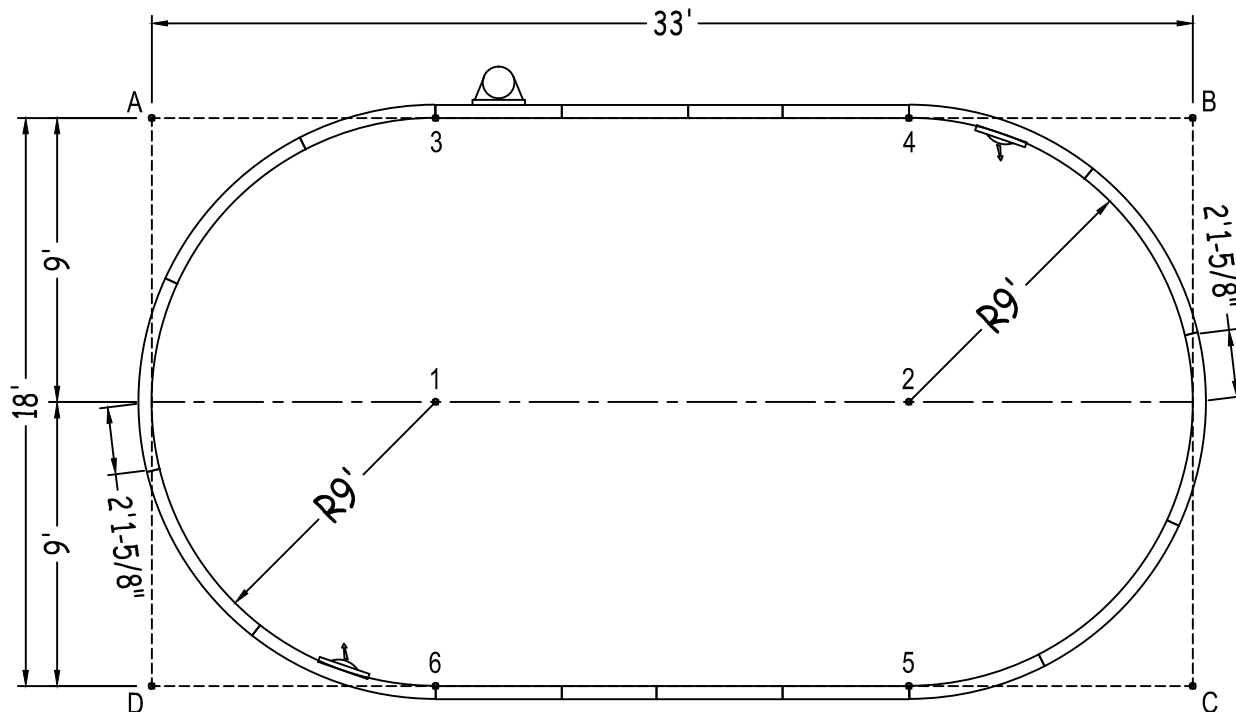
6" STEP OPTION

<b>Bartop</b> OG Pool System	<b>OVAL-FLAT BOTTOM 18-0 X 33-0</b>			ALWAYS ENTER POOL  <b>Foot First</b> MEETS DEPTH AND SHAPE MINIMUM STANDARD ANSI/APSP/ICC-5 2011	<b>NON-DIVING POOL</b>	
	52" STEEL PANELS	PERIMETER: 86'-7"	VOLUME (US Gal): 14400		USE OF DIVING EQUIPMENT IS PROHIBITED	
DWG#: B5OVFBS1833-15	SURFACE (ft²): 524	VOLUME (Liters): 54500	DATE: 1/1/2015	DSR:		
KIT#: OVFB1833	COVER (ft²): 700	SCALE: 1/8" = 1'-0"				

**OVAL-FLAT BOTTOM**

Center To Center	
1 To 2	15'-0"
Diagonals	
3 To 4	15'-0"
3 To 5	23'-5 1/4"
3 To 6	18'-0"
4 To 5	18'-0"
4 To 6	23'-5 1/4"
5 To 6	15'-0"

Part number	Description	Option 1	
		Base	QTY
ST0480000X	4'	5	5
ST0480000*	4' SKIMMER	1	1
ST0360000X	3'	2	2
RA0721080X	9'Rx6'	6	4
RA0721080*	9'Rx6' RETURN	2	2
RA0511080X	9'Rx4'3"	2	1
RA0491080X	9'Rx4'1"	-	2
RA0121080S	9'Rx1' STEP	-	2
RA072102SC	6'0"X4" STEP CONNECTOR	-	1
Brace	Brace	10	12
IPC-DRVSTK12G	BRACE COMP D-STK 3"X24" 90D 12G	10	12
IPC-BT52WCS-2	COMPRESSION STRAP 2PC	36	40
IPC-STKPK25	REBAR STAKE 18" 25PC	2	2
IPC-HDWSTRT150	BOLT STR 3/8-16X1" C/W NUT 150PC	2	2
STP69X4P	ACRYLIC STEP FRENCH CURVE 6' (48")	-	1



	A	B	C	D
1	12'-8 3/4"	25'-7 1/2"	25'-7 1/2"	12'-8 3/4"
2	25'-7 1/2"	12'-8 3/4"	12'-8 3/4"	25'-7 1/2"
3	9'-0"	24'-0"	30'-0"	20'-1 1/2"
4	24'-0"	9'-0"	20'-1 1/2"	30'-0"
5	30'-0"	20'-1 1/2"	9'-0"	24'-0"
6	20'-1 1/2"	30'-0"	24'-0"	9'-0"
A	-	33'-0"	37'-7"	18'-0"

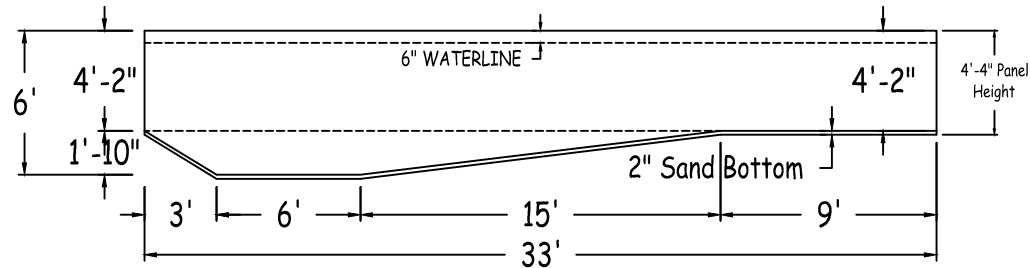
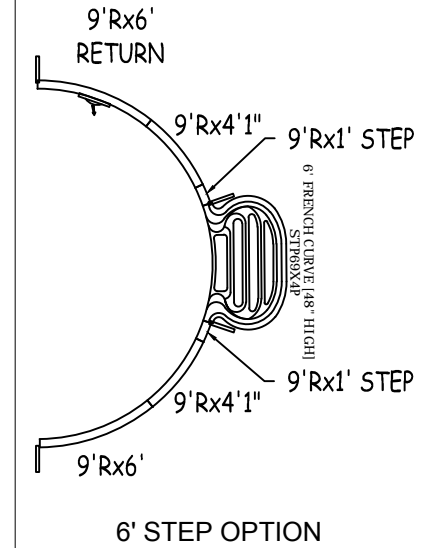
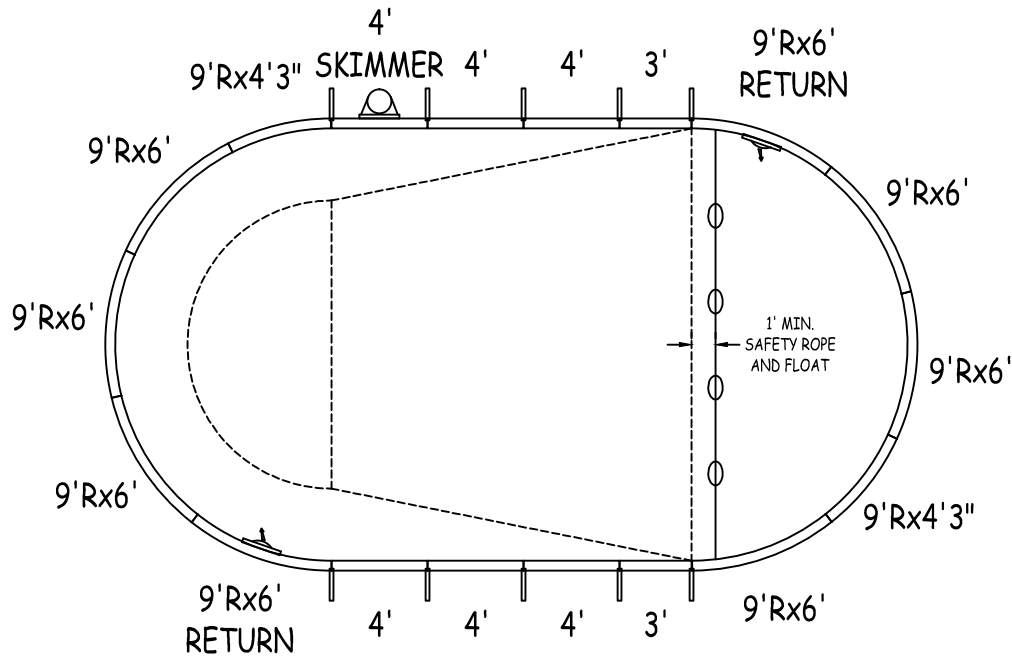
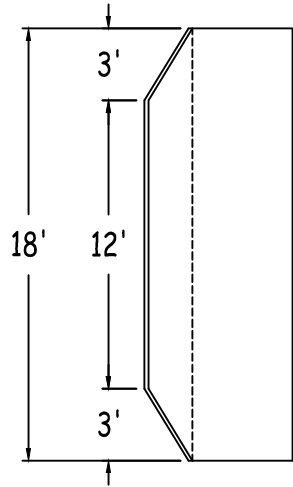
OVAL-FLAT BOTTOM 18-0 X 33-0

DWG #: B5OVFBS1833-15

DATE: 1/1/2015

SHEET: 2 OF 2

IN ACCORDANCE WITH ANSI/APSP/ICC-5 2011, THE INSTALLER IS RESPONSIBLE FOR PLACING ONE SKIMMER FOR EVERY 800 SQUARE FEET OF SURFACE AREA AND ONE RETURN FOR EVERY 300 SQUARE FEET OF SURFACE AREA.

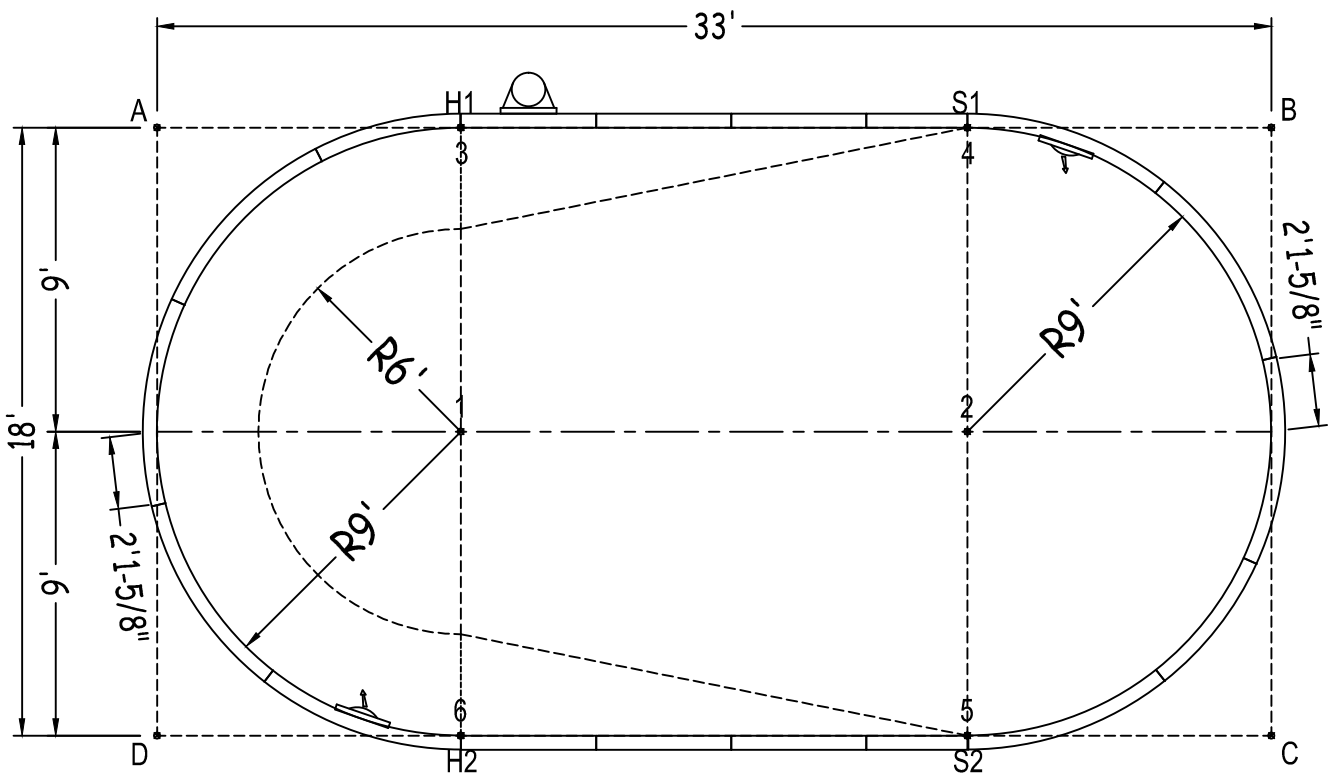


<b>Bartop</b> OG Pool System		<b>OVAL-6' HOPPER 18-0 X 33-0</b>		<p>ALWAYS ENTER POOL</p> <p><b>NON-DIVING POOL</b></p> <p>USE OF DIVING EQUIPMENT IS PROHIBITED</p>	
52" STEEL PANELS	PERIMETER: 86'-7"	VOLUME (US Gal): 16800			
DWG#: B5OVHPS1833-15	SURFACE (ft²): 524	VOLUME (Liters): 63600			
KIT#: OVHPS1833	COVER (ft²): 700	DATE: 1/1/2015	DSR:		
		SCALE: 1/8" = 1'-0"	<p>MEETS DEPTH AND SHAPE MINIMUM STANDARD ANSI/APSP/ICC-5 2011</p>		

**OVAL-6' HOPPER**

Center To Center	
1 To 2	15'-0"
Diagonals	
3 To 4	15'-0"
3 To 5	23'-5 1/4"
3 To 6	18'-0"
4 To 5	18'-0"
4 To 6	23'-5 1/4"
5 To 6	15'-0"

Part number	Description	Base		Option 1	
		QTY	QTY	QTY	QTY
ST0480000X	4'		5	5	
ST0480000*	4' SKIMMER		1	1	
ST0360000X	3'		2	2	
RA0721080X	9'Rx6'		6	4	
RA0721080*	9'Rx6' RETURN		2	2	
RA0511080X	9'Rx4'3"		2	1	
RA0491080X	9'Rx4'1"		-	2	
RA0121080S	9'Rx1' STEP		-	2	
RA072102SC	6'0"X4" STEP CONNECTOR		-	1	
Brace			10	12	
IPC-DRVSTK12G	BRACE COMP D-STK 3"X24" 90D 12G		10	12	
IPC-BT52WCS-2	COMPRESSION STRAP 2PC		36	40	
IPC-STKPK25	REBAR STAKE 18" 25PC		2	2	
IPC-HDWSTRT150	BOLT STR 3/8-16X1" C/W NUT 150PC		2	2	
STP69X4P	ACRYLIC STEP FRENCH CURVE 6' (48")		-	1	



	A	B	C	D
1	12'-8 3/4"	25'-7 1/2"	25'-7 1/2"	12'-8 3/4"
2	25'-7 1/2"	12'-8 3/4"	12'-8 3/4"	25'-7 1/2"
3	9'-0"	24'-0"	30'-0"	20'-1 1/2"
4	24'-0"	9'-0"	20'-1 1/2"	30'-0"
5	30'-0"	20'-1 1/2"	9'-0"	24'-0"
6	20'-1 1/2"	30'-0"	24'-0"	9'-0"
S2	30'-0"	20'-1 1/2"	9'-0"	24'-0"
S1	24'-0"	9'-0"	20'-1 1/2"	30'-0"
H2	20'-1 1/2"	30'-0"	24'-0"	9'-0"
H1	9'-0"	24'-0"	30'-0"	20'-1 1/2"
A	-	33'-0"	37'-7"	18'-0"

OVAL-6' HOPPER 18-0 X 33-0

DWG #: B5OVHPS1833-15

DATE: 1/1/2015

SHEET: 2 OF 2