

HP series

High Performance Swimming Pool Pump

Models 5-3195-003, 5-3196-003, 5-3197-003 (6 ft cord)

Models 5-3195-006, 5-3196-006, 5-3197-006 (3 ft cord)

Owner's Guide

IMPORTANT SAFETY INSTRUCTIONS

When installing and using this electrical equipment, basic safety precautions should always be followed, including the following:

READ AND FOLLOW ALL INSTRUCTIONS

WARNINGS

1. To reduce the risk of injury, do not permit children to use this product unless they are closely supervised at all times.
2. Do not bury cord. Locate cord to minimize abuse from lawn mowers, hedge trimmers, and other equipment.
3. Risk of electric shock. Connect only to a grounding type receptacle protected by a Ground Fault Circuit Interrupter (GFCI). Contact a qualified electrician if you cannot verify that the receptacle is protected by a GFCI.
4. To reduce the risk of electric shock, replace damaged cord immediately.
6. To reduce the risk of electric shock, do not use an extension cord to connect unit to electric supply; provide a properly located outlet. For runs greater than 6 feet, consult your local licensed electrical contractor.
6. To reduce the risk of electric shock, make sure you and your clothing are dry before touching your filter or pump. Make sure the ground under your feet is dry.
7. To reduce the risk of electric shock, do not install your pump or filter on a deck. They could fall into the water causing severe electric shock or electrocution. Do not install on any surface at, above, or slightly below the top rail or water line of the pool.
8. Do not allow children or adults to climb, sit or stand on your pump or filter. They could easily fall and injure themselves. Install the filter and pump a minimum of 6 feet from the pool wall so they may not be used as steps by children.

CAUTIONS

1. Do not install pump and filter system where flooding may occur. This could damage the pump motor.
2. Make sure the pump is disconnect-

ed from electrical source before servicing pump and filter equipment.

3. SAVE THESE INSTRUCTIONS.

LOCAL CODES

Contact your local building department for applicable codes or regulations governing the installation of swimming pool equipment.

CONTRACTED ELECTRICIANS

Always have a licensed electrician install electrical components to make sure electrical integrity is maintained in accordance with the pump data label. Improper installation to the power supply may damage the pump motor.

ELECTRICAL FEATURES

For Models:
5-3195-003, 5-3196-003, 5-3197-003

Your pump is supplied with a 6-foot, 3-wire electrical cord and 3-pronged plug. The pump electrical cord must be connected to a grounded, 3-wire, 115 VAC electrical receptacle. The receptacle must be protected by a Ground Fault Circuit Interrupter (GFCI)

An ON/OFF switch must be installed at the receptacle.

For Models:
5-3195-006, 5-3196-006, 5-3197-006

Your pump is supplied with a 3 foot, 3 wire electrical cord and a 3 prong flanged, twist lock plug. The pump electrical cord must be connected to a single twist lock grounding type receptacle that is located a minimum of 5 feet from the inside pool wall. A qualified electrical contractor must install this receptacle in accordance with Article 680-6 of the National Electrical Code (NEC). A Ground Fault Interrupter (GFCI) must be used. An ON/OFF switch must be installed at the receptacle. Use a Hubbell No. 2310 Receptacle, 20 AMP 125 Volt AC or an equivalent receptacle that meets NEMA configuration L5-20R.

This pump is double insulated and grounded. Dead metal parts are not in contact with pool water.

IMPORTANT: INSTRUCTIONS AND SAFETY INFORMATION

If you have purchased a filtration system, follow the instructions provided with your filter instructing you to

prepare the filter and pump foundation using patio blocks and a level.

PUMP ASSEMBLY

1. Position the pump near the filter. It is recommended that you install the pump on a flat surface such as a concrete slab.
2. Place the O-rings over the threads of the hose adaptors and screw them into the intake and discharge ports on the pump. Caution: Do not over-tighten.

INITIAL START-UP

1. If you already have a filtration system, follow the "Initial Start-Up" instructions in the filter owner's guide.
2. If this pump has been purchased as a replacement (and you are not referring to the filter instructions), the pump will have to be primed after all hose connections have been made and pool has been filled to the proper level. To prime the pump, loosen the pump strainer pot lid to allow air to escape. Tighten lid when water begins to flow between strainer pot body and lid. Do not overtighten.

CLEANING STRAINER BASKET

1. Stop pump. Insert a winterizing disk, or stuff a rag into the return fitting to close off water flow from the pool.
2. Remove skimmer basket. Stuff a rag into the bottom of the skimmer outlet port.
3. Remove strainer pot lid, lift out basket, and clean thoroughly. When replacing the basket, align notch in basket with rib in strainer pot. Clean and lubricate O-ring with a non-petroleum lubricant. Consult your pool store for proper lubricant. Replace lid. Remove winterizing disk and/or rags, and replace basket and skimmer lid. Only hand-tighten the lid.

MAINTENANCE

Make sure the pump is disconnected from the electrical source before attempting any maintenance work.

LUBRICATION:

Periodically lubricate the O-ring under the strainer cover with a non-petroleum lubricant recommended for A.B.S., Noryl and Acrylic plastics. Consult your pool dealer for lubricant selections.

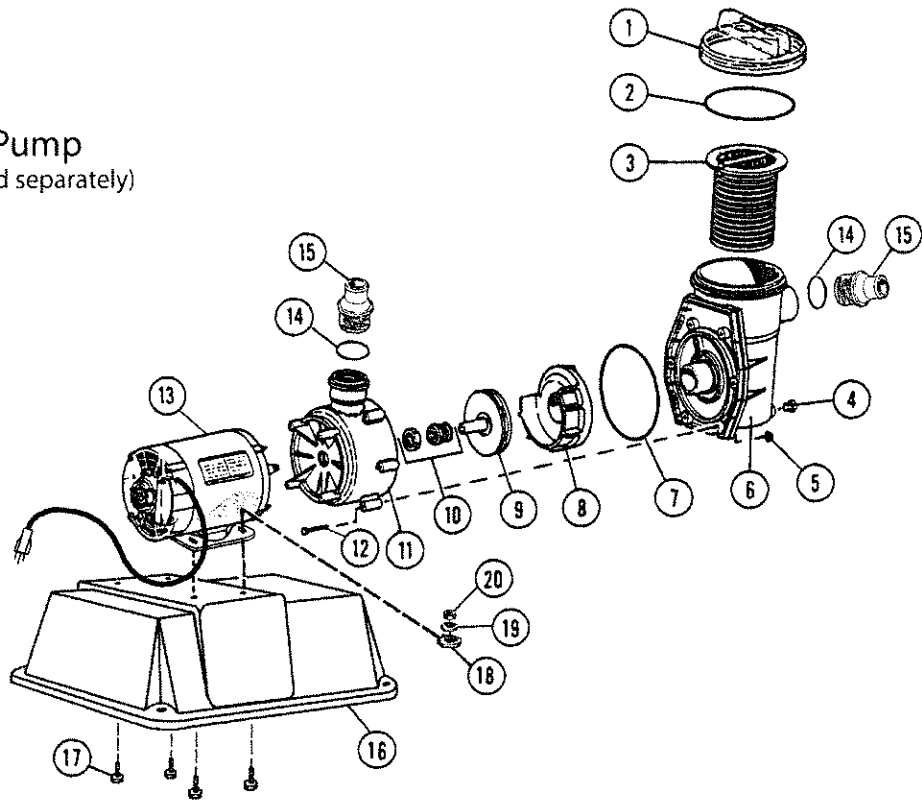
If you have questions or require assistance, contact your pool dealer.

TROUBLE SHOOTING CHECKLIST FOR PUMP & MOTOR

NOTE: ALWAYS BE SURE PUMP IS DISCONNECTED FROM ELECTRICAL SOURCE
BEFORE ATTEMPTING ANY MAINTENANCE OR REPAIR WORK.

<u>PROBLEMS:</u>	<u>POSSIBLE CAUSE:</u>	<u>REMEDIES:</u>
1. Motor will not start.	<ol style="list-style-type: none"> 1. Pump not plugged in. 2. Faulty electrical outlet. 3. Low voltage. 	<ol style="list-style-type: none"> 1. Make sure pump is plugged into a grounded, 3-wire, 115 V. electrical receptacle that is not overloaded with other appliances. 2. Check for improper or loose connections, open switches or relays, blown circuit breaker or fuses. 3. The use of an electrical extension cord may cause a low power source. Have a qualified electrician install a Ground Fault Circuit Interrupter (GFCI) for direct electrical access.
2. Pump will not prime.	<ol style="list-style-type: none"> 1. Air in pump. 2. Clogged inlet and/or outlet connections. 	<ol style="list-style-type: none"> 1. Make sure pool is filled to proper level. Make sure pump, strainer pot and hoses leading to and from pump are filled with water. Make sure strainer cover is secure and cover O-ring is clean and properly sealed. Keep hose connections tight to prevent water and/or air leaks. 2. Clean out strainer basket, skimmer basket and hoses if necessary.
3. Motor will stop without being turned off, then restart later.	<ol style="list-style-type: none"> 1. A too long or too light extension cord. 2. Blocked air vents on bottom of pump housing causing motor to overheat. 3. There may be a bind in motor causing overload. 4. Thermal protector in motor is faulty. 	<ol style="list-style-type: none"> 1. Have a qualified electrician install a Ground Fault Circuit Interrupter (GFCI) for direct electrical access, or use a heavier gauge extension cord. 2. Properly elevate pump 2 to 3 inches above foundation according to instructions. 3. Locate bind and remove cause. 4. Replace motor.
4. High pressure gauge reading with low return flow.	<ol style="list-style-type: none"> 1. Filter is dirty. 2. Plugged or restricted return line. 	<ol style="list-style-type: none"> 1. Backwash Filter. 2. Plug skimmer and return fitting, then clear debris from return line.
5. Low pressure gauge reading with low return flow.	<ol style="list-style-type: none"> 1. Plugged or restricted impeller. 2. Clogged skimmer basket and/or plugged suction line leading to pump. 	<ol style="list-style-type: none"> 1. Plug skimmer and return fitting, then disassemble pump and clean impeller. 2. Plug skimmer and return fitting, then clear debris from suction line.
6. Leak from front of pump.	<ol style="list-style-type: none"> 1. Defective pump O-ring. 2. Worn pump seal set. 3. Cracked pump volute. 	<ol style="list-style-type: none"> 1. Replace pump O-ring. 2. Replace pump seal set. 3. Replace pump volute.

EXPLODED VIEW
Swimming Pool Pump
 (Base NOT included-sold separately)



PUMP & MOTOR PARTS LIST				
ITEM	P/N	QTY	DESCRIPTION	MODEL
1	1121-1429	1	Strainer Cover	All
2	308-1065	1	Strainer O-Ring	All
3	1107-1018	1	Strainer Basket w/handle	All
4	1121-2008	1	1/4" Pipe Plug w/O-ring (not shown)	All
5	321-1021	6	1/4-20 Flange Nut	All
6	340-2288	1	Strainer Pot	All
7	308-1064	1	Pump O-Ring	All
8	340-2682	1	Pump Volute	All
9	1107-1388	1	Impeller-3/4 & 1 HP	5-3195-003 & -006, 5-3196-003 & -006
	1107-1547	1	Impeller - 1-1/2 HP	5-3197-003 & -006
10	1121-1057	1	Seal Set	All
11	1107-1659	1	Pump Housing	All
12	330-1106	6	1/4-20 x 2" Flange Bolt	All
13	300-1153	1	3/4 HP Motor 60 HZ, w/Cord	5-3195-003 & -006
	300-1153	1	1HP Motor 60 HZ, w/Cord	5-3196-003 & -006
	300-1154	1	1-1/2 HP Motor 60 HZ, w/Cord	5-3197-003 & -006
.	1100-1398	1	3 FT Power cord (NEC)	5-3195-006, 5-3196-006, 5-3197-006
.	1100-1711	1	6 FT Power cord	5-3195-003, 5-3196-003, 5-3197-003
.	303-2109	1	Cord grommet (not shown)	All
14	308-1042	2	O-Ring, Hose Adaptor	All
15	340-2290	2	Hose Adaptor	All
16	340-2277	1	Pump Base (NOT included)	Optional
17	330-1219	4	5/16 -18 x 1" Hex Bolt	included w/base only
18	327-1020	4	5/16" Plain Flat Washer	included w/base only
19	327-1010	4	5/16" Split Ring Lockwasher	included w/base only
20	321-1019	4	5/16 -18 Hex Nut	included w/base only
21	340-2608	1	Strainer cover wrench (not shown)	All
22	365-2104	1	Owner's Guide	All
23	—	1	Warranty	All

Change of Design: Hll expressly reserves the right to change or modify the design and construction of any product in due course of our manufacturing procedures, without incurring any obligation or liability to furnish or install such changes or modifications on products previously or subsequently sold.

Hll
 315 N. Sebastian St. • West Helena, AR 72390

