

Dual-Bead Liner

Installation Instructions

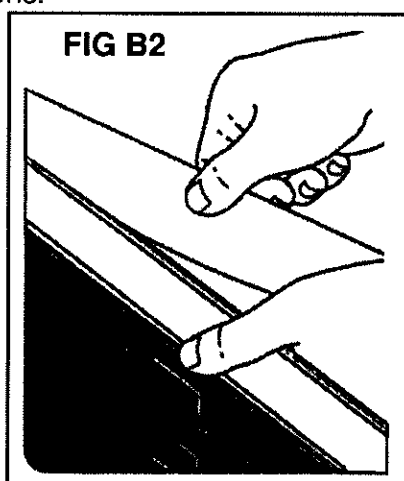
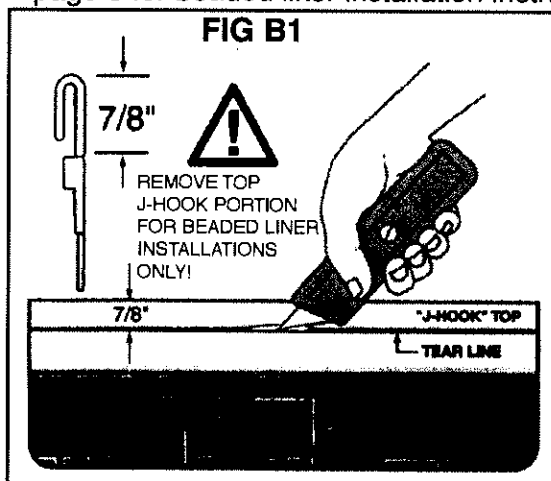
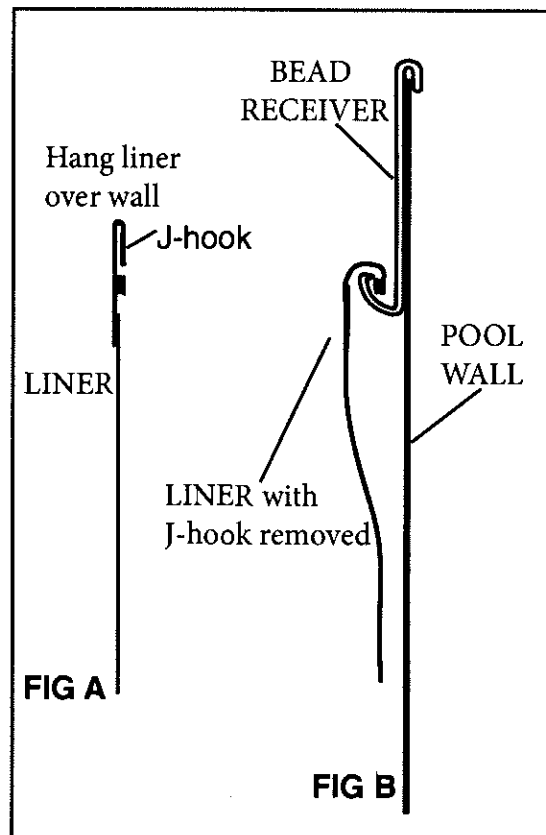
This liner is designed with a dual bead. The liner can be used as a Beaded liner used in conjunction with a bead receiver or as a Hung liner, which is placed directly over the pool wall. Please refer to the following illustrations to determine which method is best suited for your application.

FIG A - Liner to hang directly over pool wall.

FIG B - Liner being used in conjunction with bead receiver with J hook portion removed.

NOTE: To use the liner with a bead receiver (sold separately), you must remove the top J-hook portion of the liner. Using a utility knife, CAREFULLY make a small incision along the tear line just above the rectangular bead approximately 7/8" from the top of the bead, **SEE FIG B1**. Separate the J-hook portion from the liner by tearing along the tear line all the way around the liner, **SEE FIG B2**. Discard the removed J-hook portion.

The liner is now ready to be used as a Beaded liner using bead receiver. See instructions in this manual on page 3 for beaded liner installation instructions.



ONLY REMOVE THE J-HOOK PORTION IF YOU ARE GOING TO USE BEAD RECEIVER. DO NOT REMOVE IF YOU ARE GOING TO HANG THE LINER DIRECTLY OVER THE WALL.

INSTALLATION INSTRUCTIONS FOR LINER HUNG DIRECTLY OVER WALL

BEFORE YOU BEGIN

Before you install your liner, be sure that you have followed the pool installation instructions provided with your pool, up to and including GROUND PREPARATION, WALL INSTALLATION, and POOL COVING INSTALLATION.

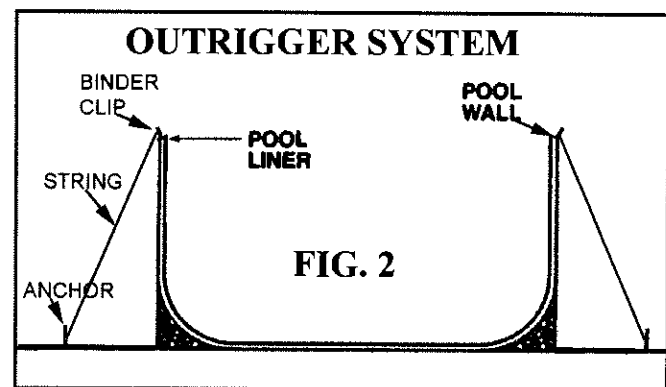
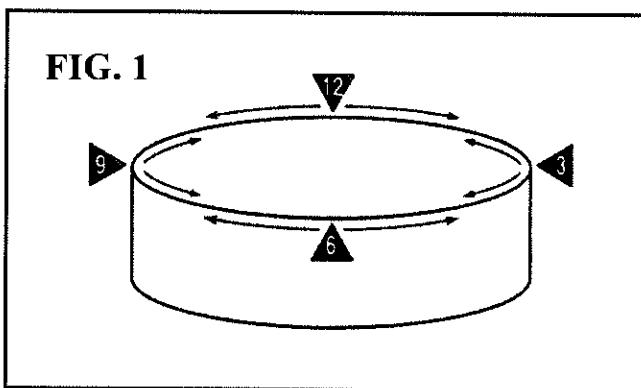
- For new pools, do not install the STABILIZER RAILS, VERTICAL END CAPS or TOP RAILS.
- When replacing a stretch-in type liner, drain the pool and remove the old liner, TOP RAILS, VERTICAL END CAPS, STABILIZER RAILS, TOP CONNECTORS, TOP RAILS, and the SKIMMER/RETURN fittings before installing the liner. **Disregard the stretch-in liner instructions contained in your pool's assembly guide and follow the instructions below.**
- For other pools, remove any parts necessary to expose the top edge of the pool wall. After completing the LINER installation instructions below, follow the pool manufacturer's assembly instructions.
- FAILURE TO FOLLOW INSTRUCTIONS COULD DAMAGE THE LINER AND VOID ITS WARRANTY

CONTINUED ON NEXT PAGE

LINER INSTALLATION FOR HANGING LINER OVER WALL

To ensure a virtually wrinkle-free installation, it is recommended that you install the liner on a sunny day with temperatures above 60° F (16° C). The sun will warm and relax the liner material, making any wrinkles easier to remove. Installation will also be easier if you enlist the help of at least one other person.

1. Open the liner carton being careful not to damage the liner with any sharp tools. Place the liner in the pool and unfold it completely. Position the liner to center it within the pool area.
2. **ROUND POOLS:** Rotate the liner so that the sidewall seam is not located on a skimmer or return port cutout. Locating the seam in those areas will prevent a watertight seal.
OVAL POOLS: Position the liner so that its bottom seam(s) are parallel (running in the same direction) with the straight sides of the oval shape. This must be an accurate adjustment and will help eliminate wrinkles.
3. Now you are ready to attach the liner to the pool wall. **To prevent wall damage, it may be necessary to support the pool wall as you install the liner. If necessary, the stabilizer rails can be installed over the liner to help keep the pool wall rigid. A temporary 'outrigger' system, (SEE FIG. 2), can also be used to help support the pool wall while installing the liner. Binder clips (stationary clips), string and anchor points can be used for this system. Position the outriggers around the perimeter of the pool as needed for support as you install the liner.** You should attach the liner on the wall in about 6 or 8 places. On ovals, start at the beginning of each radius in 4 places and then in the center of the 2 radius areas and straight sides. On round pools, begin at the 12, 3, 6 and 9 o'clock positions (SEE FIG. 1). Use duct tape, if necessary, to hold the liner in place. Then, from any 2 positions, work the liner onto the wall to the center. Continue until you have the liner over the wall all the way around. If you do not attach the liner to the wall in this manner and begin from just one location and work the liner completely around the pool, 1 of 2 situations will exist. Either you will have an excess of material or flap on the circumference of the pool or you will be short and have to stretch the material to make it fit.
4. **Once the liner is installed, follow your pool assembly instructions to assemble the rest of the pool. Install stabilizer rails, verticals, vertical end caps and all necessary parts to complete the assembly. Failure to follow your pool assembly instructions could damage liner or pool wall or both and void the manufacturers warranty.** From inside or outside the pool (See Caution below), gently distribute loose liner material evenly across the pool floor, making sure that the wall portion of the liner is hanging straight without any diagonal folds. Push excess liner material out to the pool wall using a soft broom, or construct a tool by wrapping the rounded end of a broomstick with rags and duct tape. This will help to flatten any wrinkles on the pool floor. **Do not adjust or contact the liner with any object that could possibly puncture or damage it.**



CAUTION: You will not leave footprints by working inside the pool if the pool floor consists of hard compacted earth. However, if your pool floor is made from loose earth or sand, working inside the pool to remove wrinkles could create depressions in the pool bottom. **If your pool floor is soft, work from outside the pool whenever possible.**

5. **Before you begin filling the pool with water, make sure the liner is completely hooked over the pool wall.** Correct any areas where the liner may not be hooked over the wall. Fill the pool with water to a depth of no more than 1/2 to 3/4 inches (1,3-2cm).
6. If your pool has a firm bottom, enter the pool with soft-soled shoes. Starting at the center and working outward, drag your feet to pull out any remaining wrinkles. When finished, continue filling to a 2 ft. (61cm) level. As the pool fills, watch the liner to verify that it remains hooked over the pool wall.
7. Install the skimmer and return fittings at this time. Follow the instructions provided with those items.
8. Connect your pump and filter hoses to the skimmer and return ports. Tighten all hoses securely. Finish filling the pool to the correct level as indicated on your skimmer faceplate. Start the pump and check for leakage. Correct any leaks found.

INSTALLATION INSTRUCTIONS FOR LINER USING BEAD RECEIVER

SEE PAGE 1 FOR J-HOOK REMOVAL

BEAD RECIEVER SOLD SEPARATELY

BEFORE YOU BEGIN

Before you install your liner, be sure that you have followed the pool installation instructions provided with your pool, up to and including GROUND PREPARATION, WALL INSTALLATION, and POOL COVING INSTALLATION.

- For new pools, do not install the STABILIZER RAILS, VERTICAL END CAPS or TOP RAILS until after the receiver installation is complete.
- When replacing a stretch-in type liner, drain the pool and remove the old liner, TOP RAILS, VERTICAL END CAPS, STABILIZER RAILS, TOP CONNECTORS, TOP RAILS, and the SKIMMER/RETURN fittings before installing the receiver and liner. Disregard the stretch-in liner instructions contained in your pool's assembly guide and follow the instructions below.
- For other pools, remove any parts necessary to expose the top edge of the pool wall. After completing the RECEIVER and LINER installation instructions below, follow the pool manufacturer's assembly instructions.
- FAILURE TO FOLLOW INSTRUCTIONS COULD DAMAGE THE LINER AND VOID ITS WARRANTY

TOOLS REQUIRED

- Rubber Mallet (or small hammer and block of wood)
- Hacksaw
- Soft Broom (or Padded Broomstick)

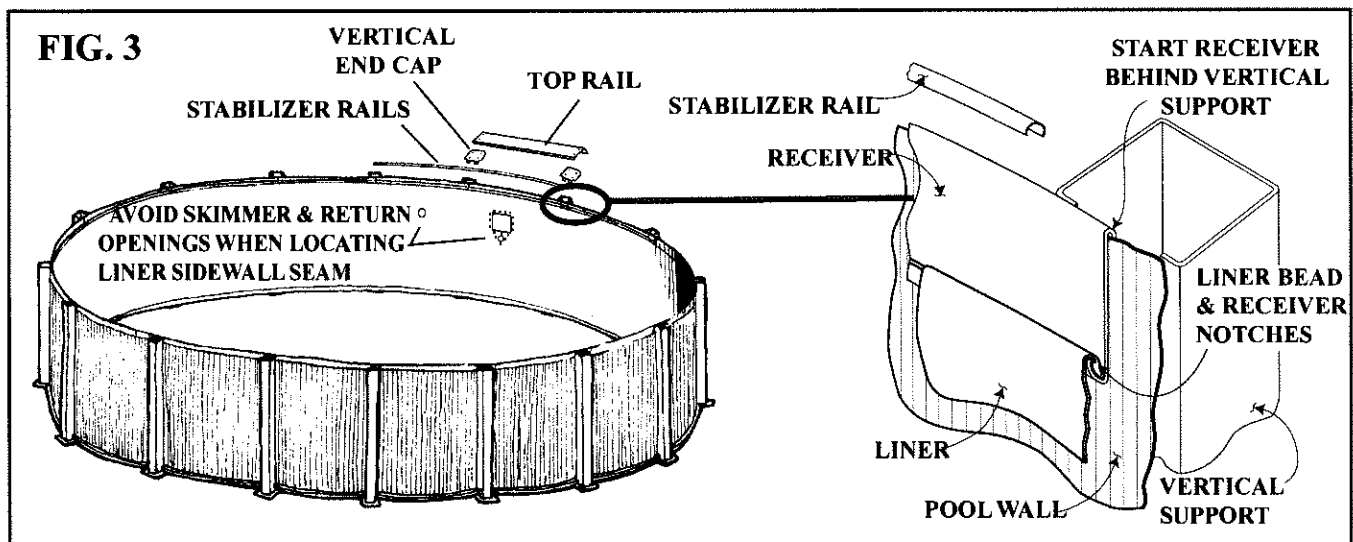
RECEIVER INSTALLATION

1. Install the liner receiver over the wall as shown in FIG. 3. Position the end of the first piece behind a vertical support. Start it by firmly pushing the wall hook down over the wall. Work the receiver's entire length onto the wall and seat it by tapping it with a rubber mallet. If you don't have a rubber mallet, lay a block of wood on the receiver and tap the block lightly to seat the receiver. Install each piece end to end, working your way around the pool. Trim the last piece to fit. Mark it with a pencil and cut to the correct length using a hacksaw. Remove any burrs and install the last piece.

FOR NON-HII POOLS: After installing the liner receiver, install any remaining pool frame parts; top rails, end caps, etc. Do not install any parts that could interfere with the liner installation. You must have access to the bead channel in the receiver to install the liner.

FOR HII POOLS:

2. Install the STABILIZER RAILS over the receiver, telescoping them as you go (small-large-small, etc.).
3. Following the instructions provided with your pool, install the VERTICAL END CAPS.
4. Connect the TOP RAILS to the vertical end caps.
5. Install the TOP CONNECTORS and any associated hardware.



LINER INSTALLATION WITH BEAD RECEIVER

To ensure a virtually wrinkle-free installation, it is recommended that you install the liner on a sunny day with temperatures above 60° F (16° C). The sun will warm and relax the liner material, making any wrinkles easier to remove. Installation will also be easier if you enlist the help of at least one other person.

1. Open the liner carton being careful not to damage the liner with any sharp tools. Place the liner in the pool and unfold it completely. Position the liner to center it within the pool area.
2. **ROUND POOLS:** Rotate the liner so that the sidewall seam is not located on a skimmer or return port cutout. Locating the seam in those areas will prevent a watertight seal.
OVAL POOLS: Position the liner so that its bottom seam(s) are parallel (running in the same direction) with the straight sides of the oval shape. This must be an accurate adjustment and will help eliminate wrinkles.
3. Grasp the beaded edge of the liner in both hands. Fold it over and push it into the receiver's bead channel (SEE FIG. 3). Make sure that it's completely seated in the channel with the receiver and liner notches hooked together. Let the liner drape over the edge of the channel. Work your way around the pool until the liner bead is completely installed.
4. From inside or outside the pool (**See Caution below**), gently distribute loose liner material evenly across the pool floor, making sure that the wall portion of the liner is hanging straight without any diagonal folds. Push excess liner material out to the pool wall using a soft broom, or construct a tool by wrapping the rounded end of a broomstick with rags and duct tape. This will help to flatten any wrinkles on the pool floor. **Do not adjust or contact the liner with any object that could possibly puncture or damage it.**

CAUTION: You will not leave footprints by working inside the pool if the pool floor consists of hard compacted earth. However, if your pool floor is made from loose earth or sand, working inside the pool to remove wrinkles could create depressions in the pool bottom. **If your pool floor is soft, work from outside the pool whenever possible.**

5. **Before you begin filling the pool with water, run your fingers around the liner at the receiver channel to check that the bead is completely seated and hooked.** Correct any areas where the liner is not hooked in the receiver. Fill the pool with water to a depth of no more than 1/2 to 3/4 inches (1,3-2cm).
6. If your pool has a firm bottom, enter the pool with soft-soled shoes. Starting at the center and working outward, drag your feet to pull out any remaining wrinkles. When finished, continue filling to a 2 ft. (61cm) level. As the pool fills, watch the liner bead to verify that the it stays in the receiver channel.
7. Install the skimmer and return fittings at this time. Follow the instructions provided with those items.
8. Connect your pump and filter hoses to the skimmer and return ports. Tighten all hoses securely. Finish filling the pool to the correct level as indicated on your skimmer faceplate. Start the pump and check for leakage. Correct any leaks found.

IMPORTANT: We have provided you with several safety signs and decals. It is mandatory that you use all signs and decals. Read the provided booklet titled "Read Me First," which describes how and where to apply them. Remember, warnings sign only help if you put them up. Above-ground pools are designed for swimming and wading only. **Do not Dive or Jump!** Misuse of your pool may result in crippling injury and/or other dangers to life and health. Do not use slides, diving boards, or any other platform or object which can be used for improper pool entry. Use only an above-ground swimming pool ladder to enter or exit your pool. It is the pool owner's responsibility to secure the pool against unauthorized, unsupervised or unintentional entry. It is also the pool owner's responsibility to warn all pool users of the hazards of diving into shallow water; paralyzing injury may result. Always obey all safety rules. Remember, pool safety is everybody's responsibility.

CHANGE OF DESIGN: The manufacturer (HII) expressly reserves the right to change or modify the design and construction of any product in due course of their manufacturing procedures, without incurring any obligation to furnish or install such changes or modifications on products previously or subsequently sold.



HII • 315 N. Sebastian St. • West Helena, AR 72390