

POOL BREAKDOWN

TAHOE 24' ROUND 54"

RESIN TOP RAIL - STEEL VERTICAL

| √ | QTY | CARTON NUMBER | CARTON DESCRIPTION |
|---|-----|---------------|-------------------------|
| | 1 | 5-9924-119 | ASSEMBLY PACK CARTON |
| | 1 | 5-9716-724 | VERTICAL PACK CARTON |
| | 2 | 5-9405-119 | TOP CONN / SKIRT CARTON |
| | 1 | 5-9406-119 | TOP CONN / SKIRT CARTON |
| | 1 | 5-0420-024 | SIDEWALL CARTON |
| | | | |
| | | | |
| | | | |
| | | | |
| | | | |



CARTON BREAKDOWN

| ✓ | ITEM | QTY | PART NUMBER | DESCRIPTION |
|-----------------------------------|------|-----|-------------|-------------------------------------|
| ASSEMBLY PACK # 5-9924-119 | | | | |
| | 1 | 11 | 583-1005 | Stabilizer Rail (Large) |
| | 2 | 11 | 583-1004 | Stabilizer Rail (Small) |
| | 3 | 16 | 580-1343 | Bottom Connector |
| | 4 | 16 | 580-2375 | Vertical End Cap |
| | 6 | 40 | 545-1001 | Plastic Coping |
| | 7 | 16 | 589-1222 | Bottom Rail |
| | 17 | 192 | 330-1127 | Sheet metal screw, #10 x 1/2" |
| | 21 | 32 | 330-1057 | Hex washer head screw #10-16 x 5/8" |
| | 22 | 16 | 580-2397 | Vertical tab |
| | 23 | 16 | 330-1075 | Pan head screw #14 x 1/2" |
| | 25 | 16 | 587-1712 | Top Rail |
| | — | 1 | 573-3981 | Pool Parts List |
| | — | 1 | 573-3713 | Installation Instructions |
| | — | 1 | — — — | Warranty Card |
| | — | 1 | 573-3169 | "Safety First" Booklet |

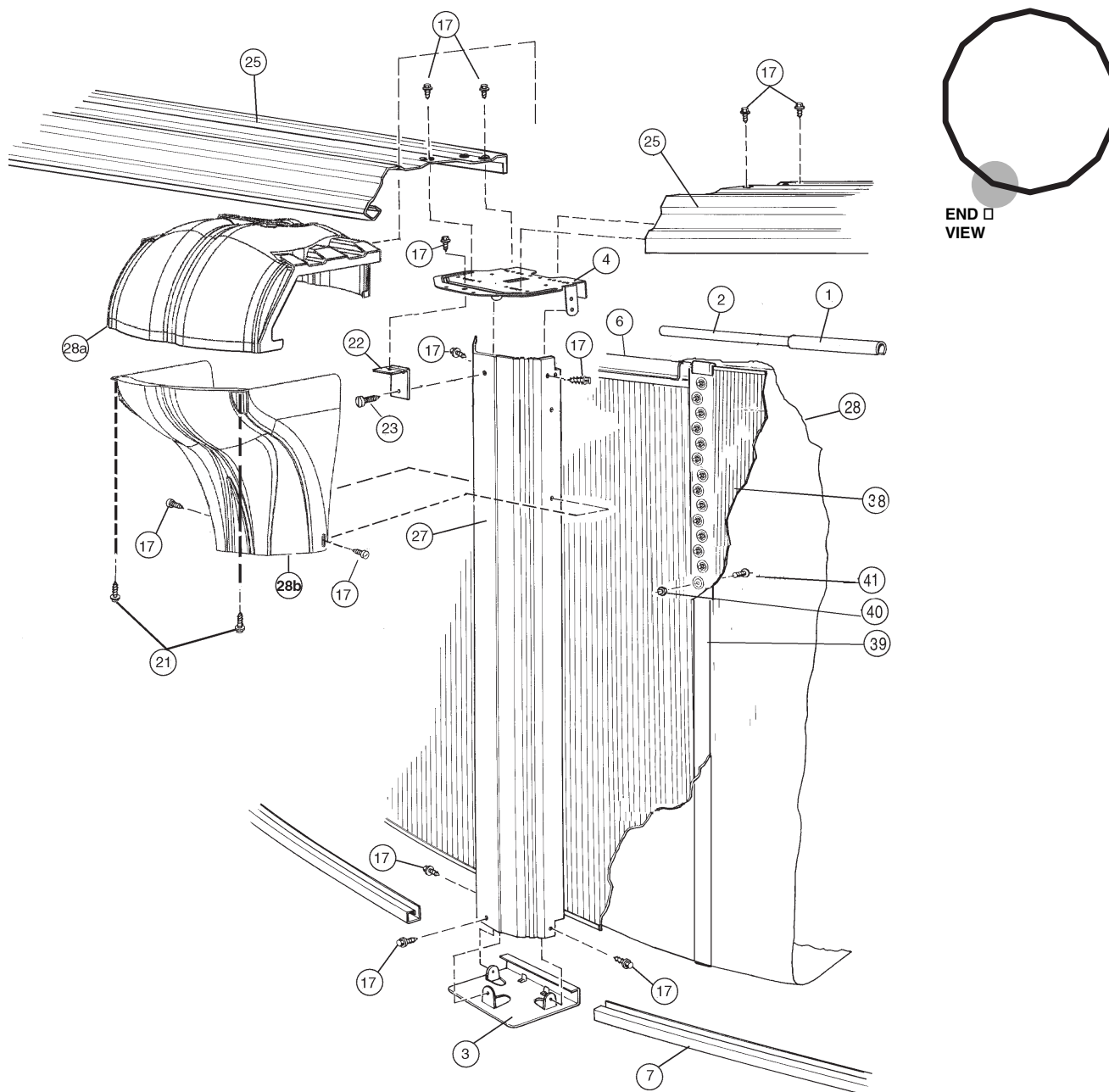
| | | | | |
|-----------------------------------|----|----|----------|----------|
| VERTICAL PACK # 5-9716-724 | | | | |
| | 27 | 16 | 580-2349 | Vertical |

| | | | | |
|---|-----|----|----------|---------------|
| TOP CONNECTOR / SKIRT PACK # 5-9405-119 (2 Required) | | | | |
| | 28a | 10 | 340-2741 | Top Connector |
| | 28b | 10 | 340-2740 | Skirt |

| | | | | |
|--|-----|---|----------|---------------|
| TOP CONNECTOR / SKIRT PACK # 5-9406-119 | | | | |
| | 28a | 6 | 340-2741 | Top Connector |
| | 28b | 6 | 340-2740 | Skirt |

| | | | | |
|-------------------------------------|----|----|------------|----------------------------|
| SIDEWALL CARTON # 5-0420-024 | | | | |
| | 38 | 1 | 5-0420-024 | Sidewall |
| | 39 | 1 | 535-1442 | Protective Strip |
| | 40 | 27 | 321-1029 | 1/4-20 Hex Flange Locknut |
| | 41 | 27 | 330-1280 | 1/4-20 x 1/2" Grade 5 Bolt |
| | — | 1 | 560-1055 | Warning Sign |
| | — | 1 | 573-3169 | "Safety First" Booklet |
| | — | 1 | 573-3498 | Safety DVD |

EXPLODED PARTS VIEW



Important! Above-ground pools are designed for swimming and wading only. Do not Dive or Jump! Misuse of your pool may result in crippling injury and/or other dangers to life and health. Do not use slides, diving boards, or any other platform or object which can be used for improper pool entry. Use only an above-ground swimming pool ladder or entry system to enter or exit your pool. Never attempt to swim or reach behind ladders or any other pool entry system. It is the pool owner's responsibility to secure the pool against unauthorized, unsupervised or unintentional entry. It is also the pool owner's responsibility to warn all pool users of the hazards of diving into shallow water: paralyzing injury may result. Always obey all safety rules. Remember, pool safety is everybody's responsibility.

Safety decals and caution information provided with your pool have been endorsed by the U.S. Consumer Product Safety Commission. It is mandatory that the pool owner and installer follow the installation and use directions for all provided safety signs and decals. Juveniles must be supervised at all times by a responsible adult as directed by the USCPSC.

Change of Design: The manufacturer (HII) expressly reserves the right to change or modify the design and construction of any product in due course of their manufacturing procedures, without incurring any obligation to furnish or install such changes or modifications on products previously or subsequently sold.