

# POOL BREAKDOWN

## TAHOE 30' ROUND 54" RESIN TOP RAIL - STEEL VERTICAL

√	QTY	CARTON NUMBER	CARTON DESCRIPTION
	1	5-9930-909	ASSEMBLY PACK CARTON
	1	5-9721-724	VERTICAL PACK CARTON
	3	5-9407-119	TOP CONN / SKIRT CARTON
	1	5-0420-030	SIDEWALL CARTON
	1	5-0420-130	SIDEWALL CARTON



# CARTON BREAKDOWN

✓	ITEM	QTY	PART NUMBER	DESCRIPTION
<b>ASSEMBLY PACK # 5-9930-909</b>				
	1	13	583-1005	Stabilizer Rail (Large)
	2	13	583-1004	Stabilizer Rail (Small)
	3	21	580-1343	Bottom Connector
	4	21	580-2375	Vertical End Cap
	6	50	545-1001	Plastic Coping
	7	21	589-1223	Bottom Rail
	17	252	330-1127	Sheet metal screw, #10 x 1/2"
	21	42	330-1057	Hex washer head screw #10-16 x 5/8"
	22	21	580-2397	Vertical tab
	23	21	330-1075	Pan head screw #14 x 1/2"
	25	21	587-1715	Top Rail
	—	1	573-3983	Pool Parts List
	—	1	573-3590	Installation Instructions
	—	1	— — —	Warranty Card
	—	1	573-3169	"Safety First" Booklet

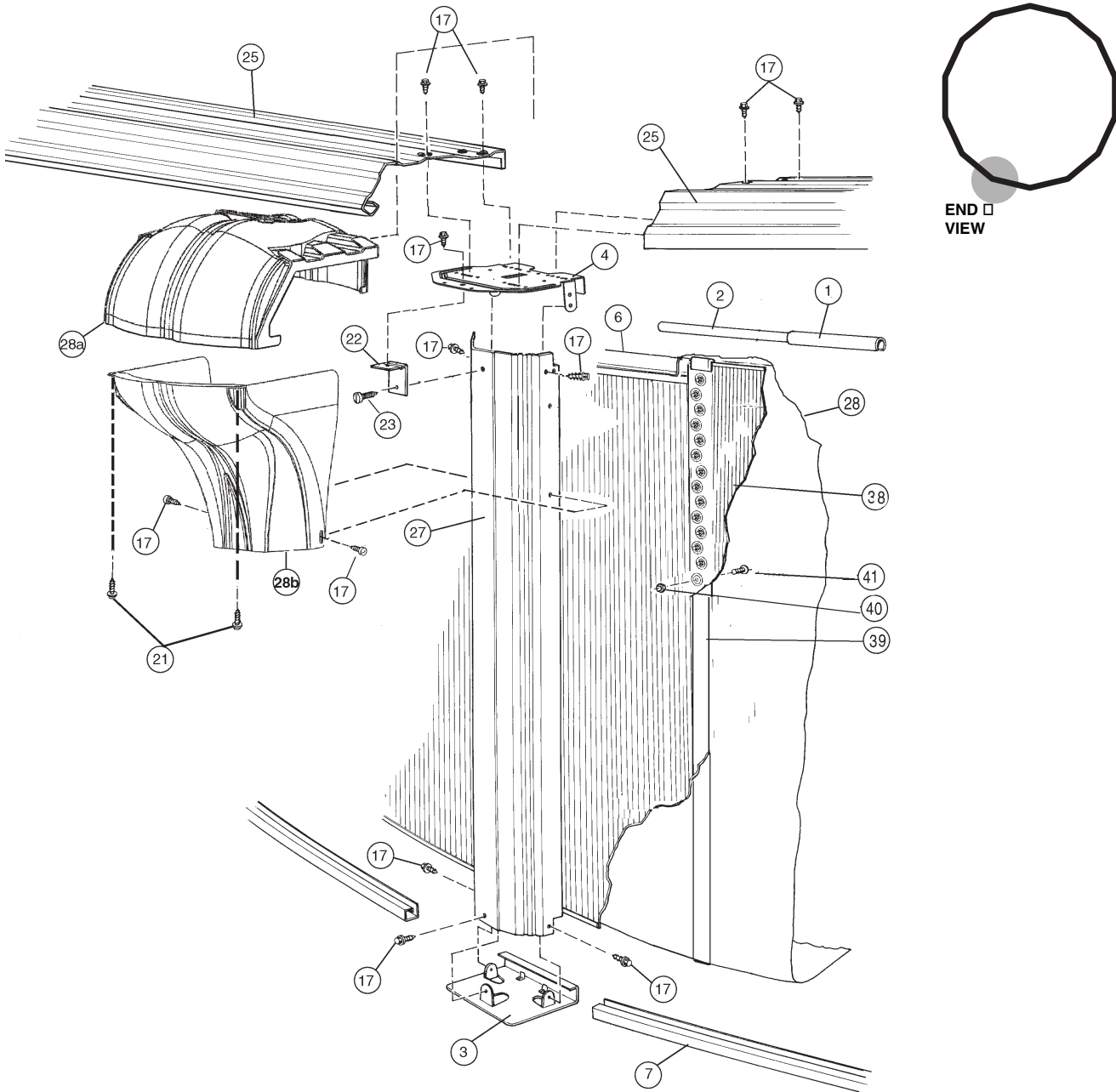
<b>VERTICAL PACK # 5-9721-724</b>				
	27	21	580-2349	Vertical

<b>TOP CONNECTOR / SKIRT PACK # 5-9407-119 (3 Required)</b>				
	28a	21	340-2741	Top Connector
	28b	21	340-2740	Skirt

<b>SIDEWALL CARTON # 5-0420-030</b>				
	38	1	5-0420-030	Sidewall
	39	1	535-1442	Protective Strip
	40	27	321-1029	1/4-20 Hex Flange Locknut
	41	27	330-1280	1/4-20 x 1/2" Grade 5 Bolt
	—	1	560-1055	Warning Sign
	—	1	573-3169	"Safety First" Booklet
	—	1	573-3498	Safety DVD

<b>SIDEWALL CARTON # 5-0420-130</b>				
	38	1	5-0420-130	Sidewall
	39	1	535-1442	Protective Strip
	40	27	321-1029	1/4-20 Hex Flange Locknut
	41	27	330-1280	1/4-20 x 1/2" Grade 5 Bolt
	—	1	560-1055	Warning Sign
	—	1	573-3169	"Safety First" Booklet
	—	1	573-3498	Safety DVD

# EXPLODED PARTS VIEW



**Important!** Above-ground pools are designed for swimming and wading only. Do not Dive or Jump! Misuse of your pool may result in crippling injury and/or other dangers to life and health. Do not use slides, diving boards, or any other platform or object which can be used for improper pool entry. Use only an above-ground swimming pool ladder or entry system to enter or exit your pool. Never attempt to swim or reach behind ladders or any other pool entry system. It is the pool owner's responsibility to secure the pool against unauthorized, unsupervised or unintentional entry. It is also the pool owner's responsibility to warn all pool users of the hazards of diving into shallow water: paralyzing injury may result. Always obey all safety rules. Remember, pool safety is everybody's responsibility.

Safety decals and caution information provided with your pool have been endorsed by the U.S. Consumer Product Safety Commission. It is mandatory that the pool owner and installer follow the installation and use directions for all provided safety signs and decals. Juveniles must be supervised at all times by a responsible adult as directed by the USCPSC.

Change of Design: The manufacturer (HII) expressly reserves the right to change or modify the design and construction of any product in due course of their manufacturing procedures, without incurring any obligation to furnish or install such changes or modifications on products previously or subsequently sold.