

# POOL BREAKDOWN

## OXFORD 20' x 12' OVAL 52" RESIN TOP RAIL - STEEL VERTICAL

√	QTY	CARTON NUMBER	CARTON DESCRIPTION
	1	5-9902-910	ASSEMBLY PACK CARTON
	1	5-9710-907	VERTICAL PACK CARTON
	2	5-9407-910	TOP CONN / SKIRT CARTON
	1	5-0523-002	SIDEWALL CARTON
	1	5-8852-408	SIDE SUPPORT CARTON
	1	5-8888-204	SUPPORT BASE CARTON



# CARTON BREAKDOWN

✓	ITEM	QTY	PART NUMBER	DESCRIPTION
<b>ASSEMBLY PACK # 5-9902-910</b>				
	1	10	583-1011	Stabilizer Rail (Large)
	2	8	583-1012	Stabilizer Rail (Small)
	3	10	580-2375	Vertical End Cap
	4	10	580-1343	Bottom Connector
	5	4	580-2279	Side Vertical Cap
	7	29	545-1001	Plastic coping
	8	12	589-1133	Bottom Rail - stamped L-12
	10	2	589-1052	Bottom Rail - Side - stamped S
	12	168	330-1127	Sheet metal screw, #10 x 1/2"
	15	10	330-1075	Pan head screw, #14 x 1/2"
	17	10	580-2397	Vertical tab
	17a	4	580-1460	Vertical tab -Long- use for side supports only
	18	4	340-2723	Skirt block - Right
	19	4	340-2724	Skirt block - Left
	20	28	330-1057	Hex washer head screw #10-16 x 5/8"
	22	14	587-1676	Top Rail
	—	1	573-3998	Pool Parts List
	—	1	573-3592	Installation Instructions
	—	1	— — —	Warranty Card
	—	1	573-3169	"Safety First" Booklet

## **TOP CONNECTOR / SKIRT PACK # 5-9407-910 (2 Required)**

	29	14	340-2711	Top Connector
	30	14	340-2712	Skirt

## **VERTICAL PACK # 5-9710-907**

	33	10	580-2141	Vertical
--	----	----	----------	----------

## **SIDEWALL CARTON # 5-0523-002**

	44	1	5-0523-002	Sidewall
	45	1	535-1442	Protective Strip
	46	26	321-1029	1/4-20 Hex Flange Locknut
	47	26	330-1280	1/4-20 x 1/2" Grade 5 Bolt
	—	1	560-1055	Warning Sign
	—	1	573-3169	"Safety First" Booklet
	—	1	573-3498	Safety DVD

## **SUPPORT BASE PACK # 5-8888-204**

	53	4	580-1779	Skid support
	54	4	580-2071	Ground support - top
	55	4	580-2072	Ground support - bottom
	56	4	580-1869	Pressure pad
	57	4	580-1870	Pressure pad
	58	4	580-1792	Btm rail locator & cover

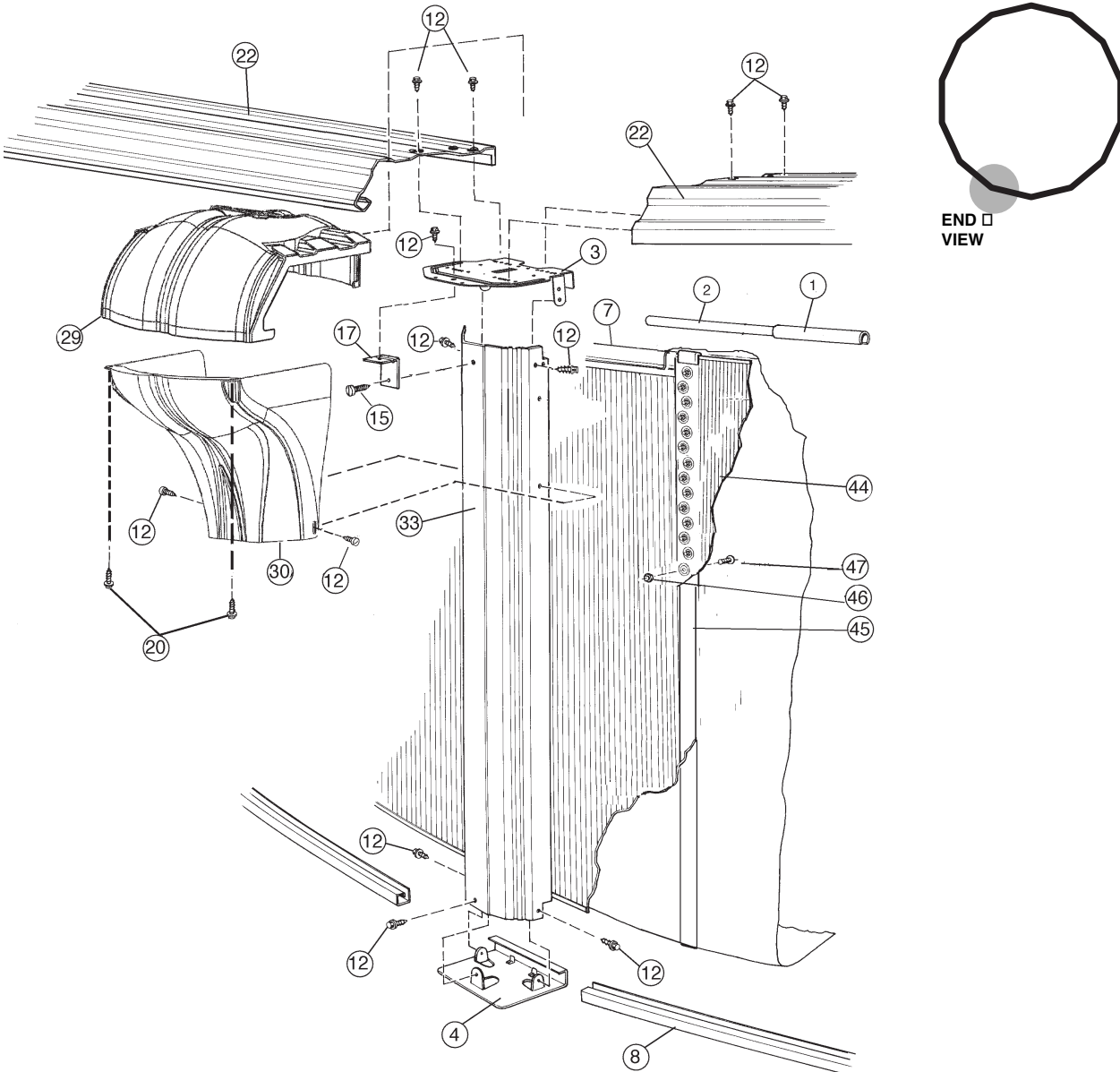
**SUPPORT BASE PACK # 5-8888-204 Con't**

59	24	510-1035	#12x3/4" hex washer head screw
60	16	330-1220	3/8"-16 x 3-1/2" hex head bolt
61	16	321-1069	3/8-16 hex nut
62	16	510-1018	1/4-20 x 1/2" hex head bolt - grade 5
63	16	511-1000	1/4-20 hex nut
64	24	330-1127	Sheet metal screw, #10 x 1/2"

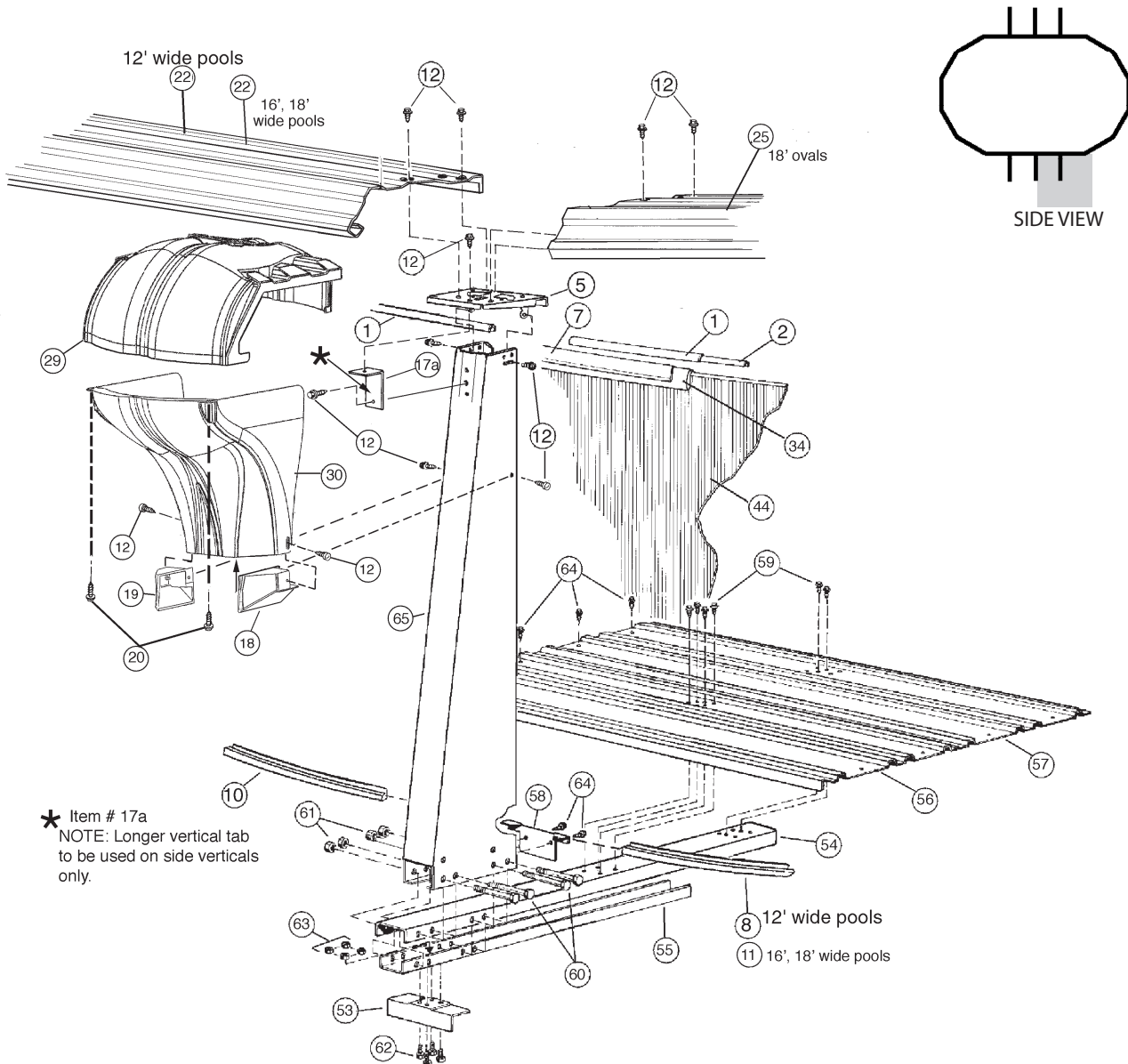
**SIDE SUPPORT PACK # 5-8852-408**

65	4	580-2142	Side support
----	---	----------	--------------

**EXPLODED PARTS VIEW**



# EXPLODED PARTS VIEW



**Important!** Above-ground pools are designed for swimming and wading only. Do not Dive or Jump! Misuse of your pool may result in crippling injury and/or other dangers to life and health. Do not use slides, diving boards, or any other platform or object which can be used for improper pool entry. Use only an above-ground swimming pool ladder or entry system to enter or exit your pool. Never attempt to swim or reach behind ladders or any other pool entry system. It is the pool owner's responsibility to secure the pool against unauthorized, unsupervised or unintentional entry. It is also the pool owner's responsibility to warn all pool users of the hazards of diving into shallow water: paralyzing injury may result. Always obey all safety rules. Remember, pool safety is everybody's responsibility.

Safety decals and caution information provided with your pool have been endorsed by the U.S. Consumer Product Safety Commission. It is mandatory that the pool owner and installer follow the installation and use directions for all provided safety signs and decals. Juveniles must be supervised at all times by a responsible adult as directed by the USCPSC.

Change of Design: The manufacturer (HII) expressly reserves the right to change or modify the design and construction of any product in due course of their manufacturing procedures, without incurring any obligation to furnish or install such changes or modifications on products previously or subsequently sold.