

POOL BREAKDOWN

SIERRA NEVADA 33' x 18' OVAL 52''

RESIN TOP RAIL - STEEL VERTICAL

√	QTY	CARTON NUMBER	CARTON DESCRIPTION
	1	5-9938-119	ASSEMBLY PACK CARTON
	1	5-9812-119	TOP RAIL PACK CARTON
	1	5-9714-904	VERTICAL PACK CARTON
	1	5-0418-038	SIDEWALL CARTON
	2	5-9405-119	TOP CONN / SKIRT CARTON
	2	5-9406-119	TOP CONN / SKIRT CARTON
	2	5-8852-400	SIDE SUPPORT CARTON
	2	5-8888-204	SUPPORT BASE CARTON



CARTON BREAKDOWN

✓	ITEM	QTY	PART NUMBER	DESCRIPTION
ASSEMBLY PACK # 5-9938-119				
	1	16	583-1011	Stabilizer Rail (Large)
	2	10	583-1012	Stabilizer Rail (Small)
	3	14	580-2375	Vertical End Cap
	4	14	580-1343	Bottom Connector
	5	8	580-2279	Side Vertical Cap
	7	44	545-1001	Plastic coping
	8	12	589-1136	Bottom Rail - stamped L-18
	10	6	589-1052	Bottom Rail - Side - stamped S
	11	4	589-1303	Bottom Rail - stamped TR 18
	12	264	330-1127	Sheet metal screw, #10 x 1/2"
	15	14	330-1075	Pan head screw, #14 x 1/2"
	17	14	580-2397	Vertical tab
	17a	8	580-1460	Vertical tab -Long- use for side supports only
	18	8	340-2742	Skirt block - Right
	19	8	340-2743	Skirt block - Left
	20	44	330-1057	Hex washer head screw #10-16 x 5/8"
	22	6	587-1735	Top Rail - side
	25	4	587-1780	Top Rail - transition
	—	1	573-3977	Pool Parts List
	—	1	573-3671	Installation Instructions
	—	1	— — —	Warranty Card
	—	1	573-3169	"Safety First" Booklet

TOP CONNECTOR / SKIRT PACK # 5-9405-119 (2 Required)

	29	10	340-2741	Top Connector
	30	10	340-2740	Skirt

TOP CONNECTOR / SKIRT PACK # 5-9406-119 (2 Required)

	29	12	340-2741	Top Connector
	30	12	340-2740	Skirt

TOP RAIL PACK # 5-9812-119

	32a	12	587-1735	Top Rail
--	-----	----	----------	----------

VERTICAL PACK # 5-9714-904

	33	14	580-2183	Vertical
--	----	----	----------	----------

SIDEWALL CARTON # 5-0418-038

	44	1	5-0418-038	Sidewall
	45	1	535-1442	Protective Strip
	46	26	321-1029	1/4-20 Hex Flange Locknut
	47	26	330-1280	1/4-20 x 1/2" Grade 5 Bolt
	—	1	560-1055	Warning Sign
	—	1	573-3169	"Safety First" Booklet
	—	1	573-3498	Safety DVD

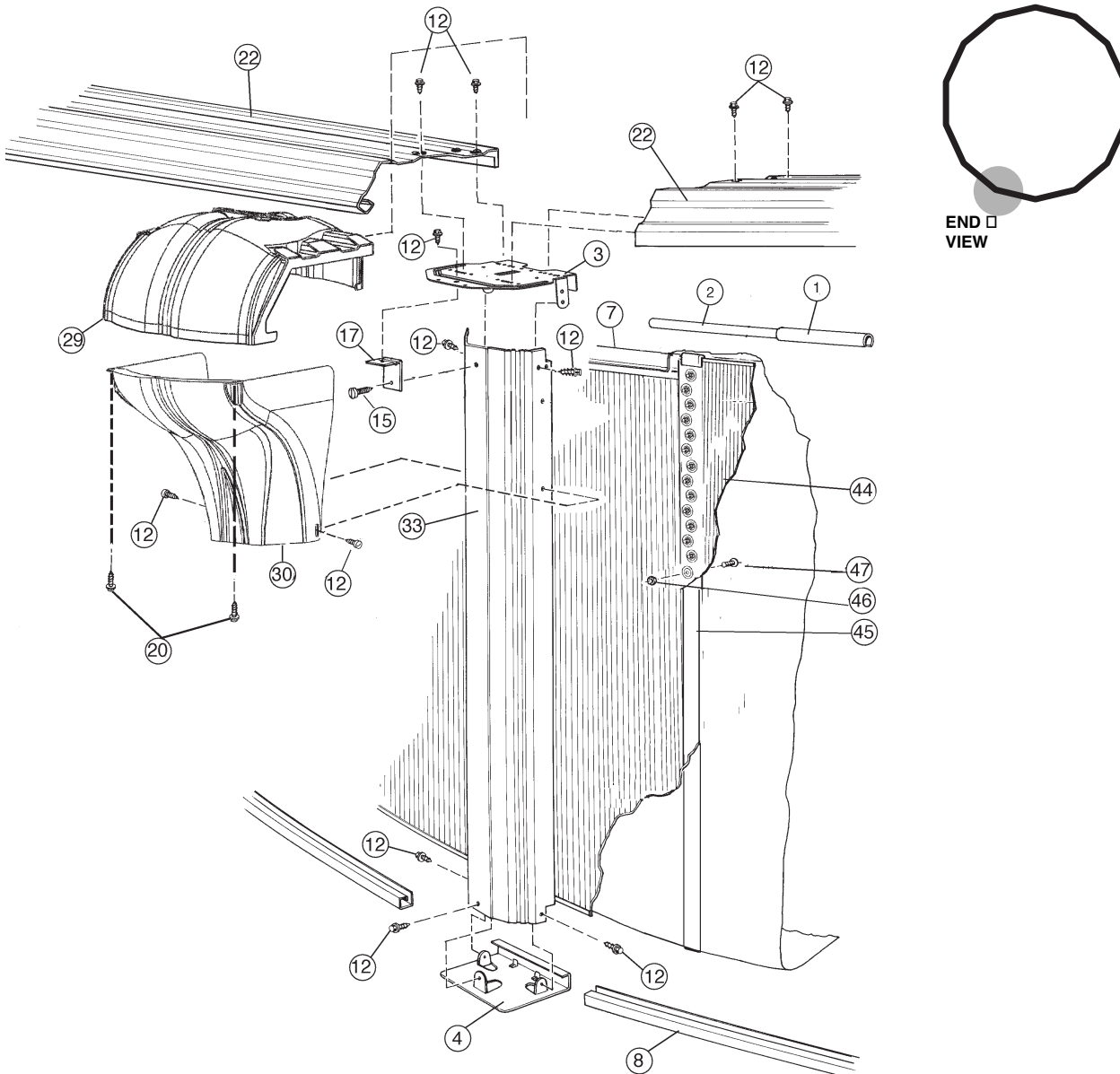
SUPPORT BASE PACK # 5-8888-204 (2 Required)

53	8	580-1779	Skid support
54	8	580-2071	Ground support - top
55	8	580-2072	Ground support - bottom
56	8	580-1869	Pressure pad
57	8	580-1870	Pressure pad
58	8	580-1792	Btm rail locator & cover
59	48	510-1035	#12x3/4" hex washer head screw
60	32	330-1220	3/8"-16 x 3-1/2" hex head bolt
61	32	321-1069	3/8-16 hex nut
62	32	510-1018	1/4-20 x 1/2" hex head bolt - grade 5
63	32	511-1000	1/4-20 hex nut
64	48	330-1127	Sheet metal screw, #10 x 1/2"

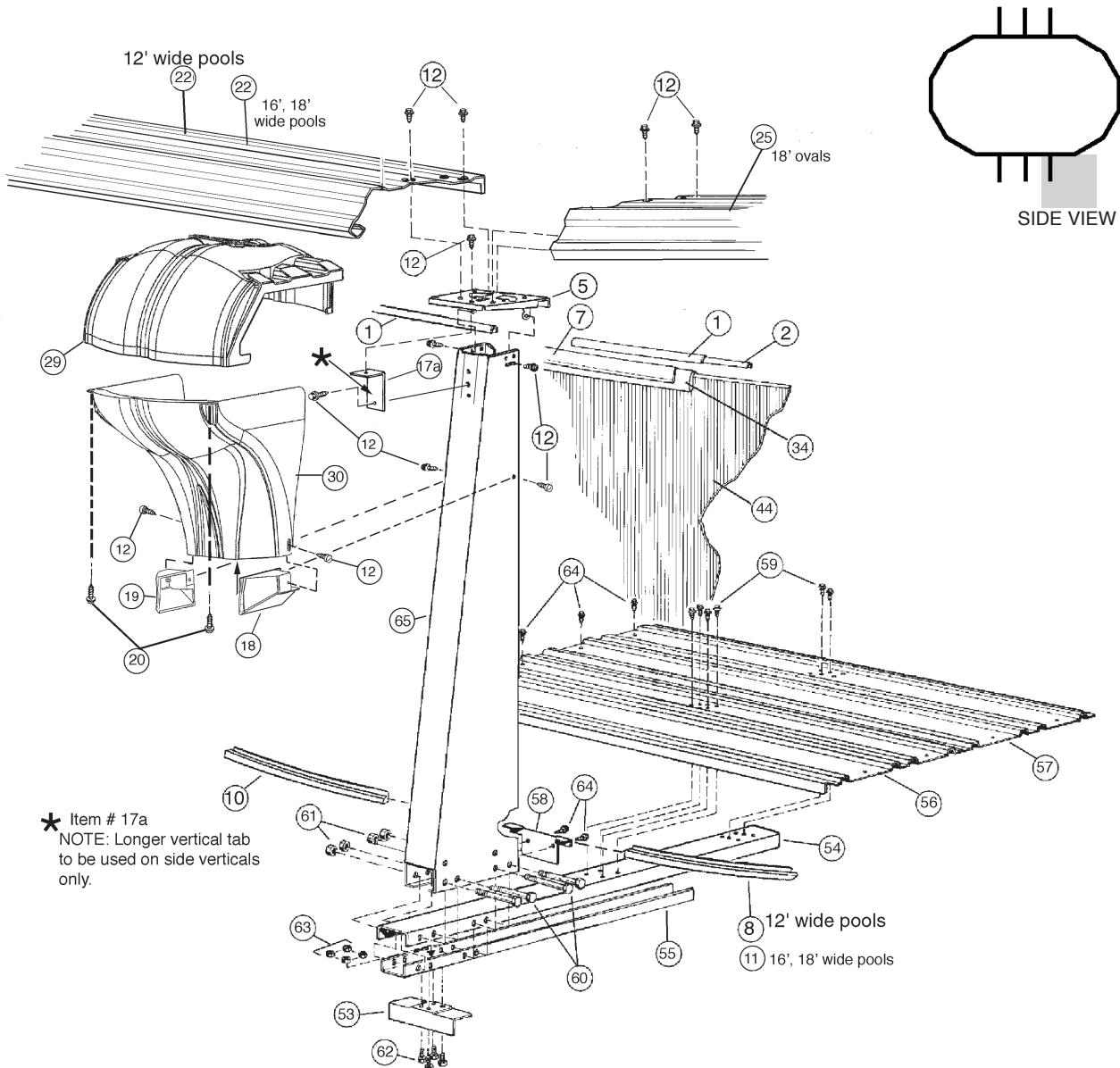
SIDE SUPPORT PACK # 5-8852-400 (2 Required)

65	8	580-2074	Side support
----	---	----------	--------------

EXPLODED PARTS VIEW



EXPLODED PARTS VIEW



Important! Above-ground pools are designed for swimming and wading only. Do not Dive or Jump! Misuse of your pool may result in crippling injury and/or other dangers to life and health. Do not use slides, diving boards, or any other platform or object which can be used for improper pool entry. Use only an above-ground swimming pool ladder or entry system to enter or exit your pool. Never attempt to swim or reach behind ladders or any other pool entry system. It is the pool owner's responsibility to secure the pool against unauthorized, unsupervised or unintentional entry. It is also the pool owner's responsibility to warn all pool users of the hazards of diving into shallow water: paralyzing injury may result. Always obey all safety rules. Remember, pool safety is everybody's responsibility.

Safety decals and caution information provided with your pool have been endorsed by the U.S. Consumer Product Safety Commission. It is mandatory that the pool owner and installer follow the installation and use directions for all provided safety signs and decals. Juveniles must be supervised at all times by a responsible adult as directed by the USCPSC.

Change of Design: The manufacturer (HII) expressly reserves the right to change or modify the design and construction of any product in due course of their manufacturing procedures, without incurring any obligation to furnish or install such changes or modifications on products previously or subsequently sold.