



POOL BREAKDOWN



CORONADO 15' x 10' OVAL 54"

RESIN TOP RAIL - STEEL VERTICAL

√	QTY	CARTON NUMBER	CARTON DESCRIPTION
	1	5-9950-745	ASSEMBLY PACK CARTON
	1	5-9860-112	TOP RAIL PACK CARTON
	1	5-9840-113	TOP RAIL PACK CARTON
	1	5-9802-114	TOP RAIL PACK CARTON
	1	5-9708-909	VERTICAL PACK CARTON
	3	5-9404-908	TOP CONN / SKIRT CARTON
	1	5-XXXX-050	SIDEWALL CARTON
	1	5-8854-409	SIDE SUPPORT CARTON
	1	5-8888-004	SUPPORT BASE CARTON
	1	5-8801-409	SIDE VERTICAL EXT. CARTON



CARTON BREAKDOWN

√	ITEM	QTY	PART NUMBER	DESCRIPTION
TOP RAIL PACK # 5-9860-112				
	22	6	587-1817	Top Rail
TOP RAIL PACK # 5-9840-113				
	25	4	587-1932	Top Rail - transition
TOP RAIL PACK # 5-9802-114				
	22a	2	587-1812	Top Rail - side

CARTON BREAKDOWN

✓	ITEM	QTY	PART NUMBER	DESCRIPTION
ASSEMBLY PACK # 5-9950-745				
	1	8	583-1059	Stabilizer Rail (Large)
	1a	2	583-1064	Stabilizer Rail (side)
	2	8	583-1060	Stabilizer Rail (Small)
	3	8	580-2375	Vertical End Cap
	4	8	580-1343	Bottom Connector
	5	4	580-2279	Side Vertical Cap
	7	22	545-1001	Plastic coping
	8	10	589-1217	Bottom Rail - stamped A
	10	2	589-1201	Bottom Rail - side - stamped L S
	12	144	330-1127	Sheet metal screw, #10 x 1/2"
	15	8	330-1075	Pan head screw, #14 x 1/2"
	17	8	580-2397	Vertical tab
	17a	4	580-1460	Vertical tab -Long- use for side supports only
	18	4	340-2767	Skirt block - Right
	19	4	340-2768	Skirt block - Left
	20	24	330-1057	Hex washer head screw #10-16 x 5/8"
	—	1	573-5750	Pool Parts List
	—	1	573-4058	Installation Instructions
	—	1	— — —	Warranty Card
	—	1	573-3169	"Safety First" Booklet

TOP CONNECTOR / SKIRT PACK # 5-9404-908 (3 Required)

	29	12	340-2765	Top Connector
	30	12	340-2766	Skirt

VERTICAL PACK # 5-9708-909

	33	8	580-2400	Vertical
--	----	---	----------	----------

SIDEWALL CARTON

	44	1	5-XXXX-050	Sidewall
	45	1	535-1442	Protective Strip
	46	26	321-1029	1/4-20 Hex Flange Locknut
	47	26	330-1280	1/4-20 x 1/2" Grade 5 Bolt
	—	1	560-1055	Warning Sign
	—	1	573-3169	"Safety First" Booklet
	—	1	573-3498	Safety DVD

WRITE SIDEWALL NUMBER HERE _____

WRITE SIDEWALL BOX SERIAL NUMBER HERE _____

SUPPORT BASE PACK # 5-8888-004

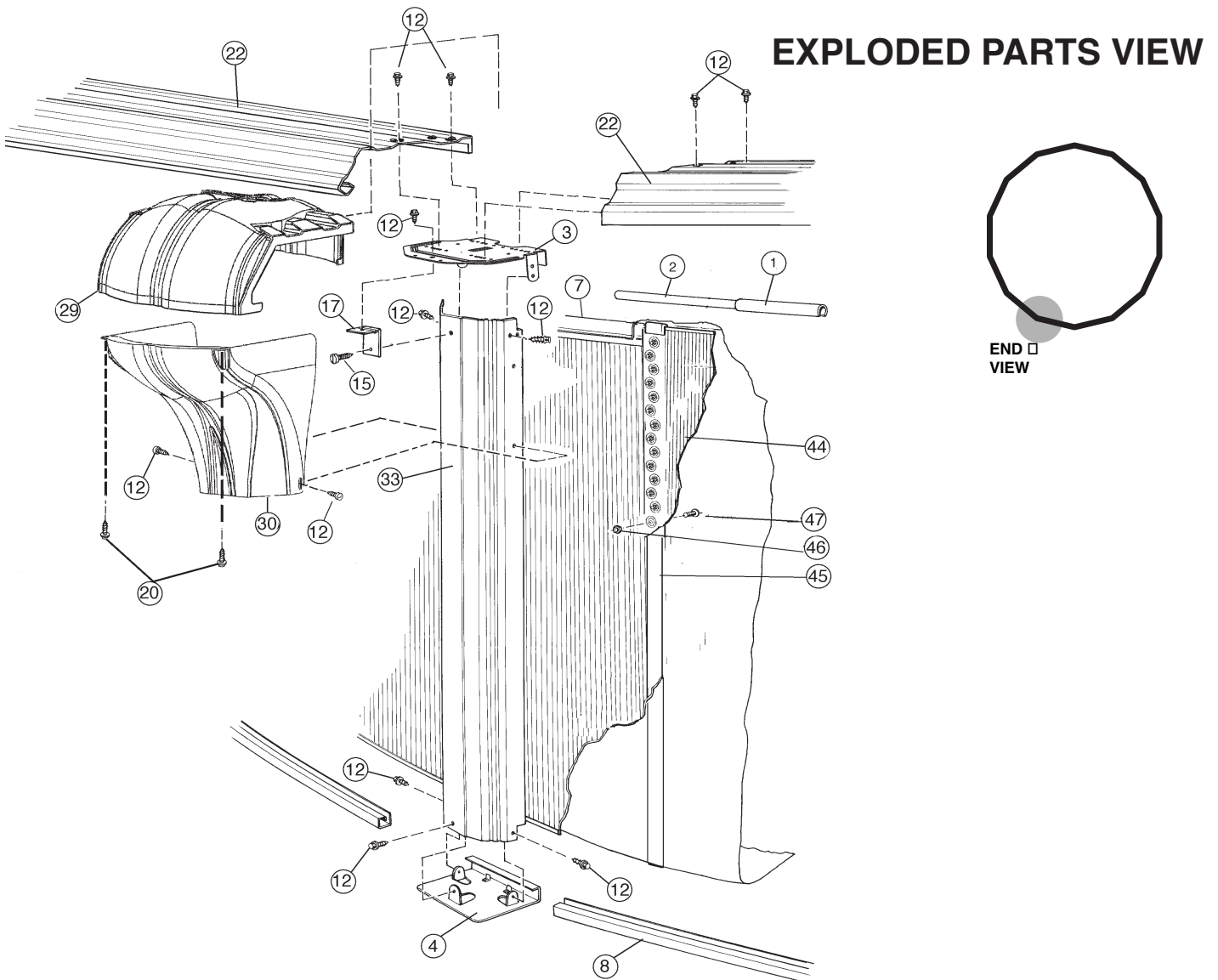
53	4	580-1779	Skid support
54	4	580-2071	Ground support - top
55	4	580-2072	Ground support - bottom
56	4	580-2082	Pressure pad
57	4	580-2083	Pressure pad
58	4	580-1792	Btm rail locator & cover
59	24	510-1035	#12x3/4" hex washer head screw
60	16	330-1220	3/8"-16 x 3-1/2" hex head bolt
61	16	321-1069	3/8-16 hex nut
62	16	510-1018	1/4-20 x 1/2" hex head bolt - grade 5
63	16	511-1000	1/4-20 hex nut
64	24	330-1127	Sheet metal screw, #10 x 1/2"

SIDE SUPPORT PACK # 5-8854-409

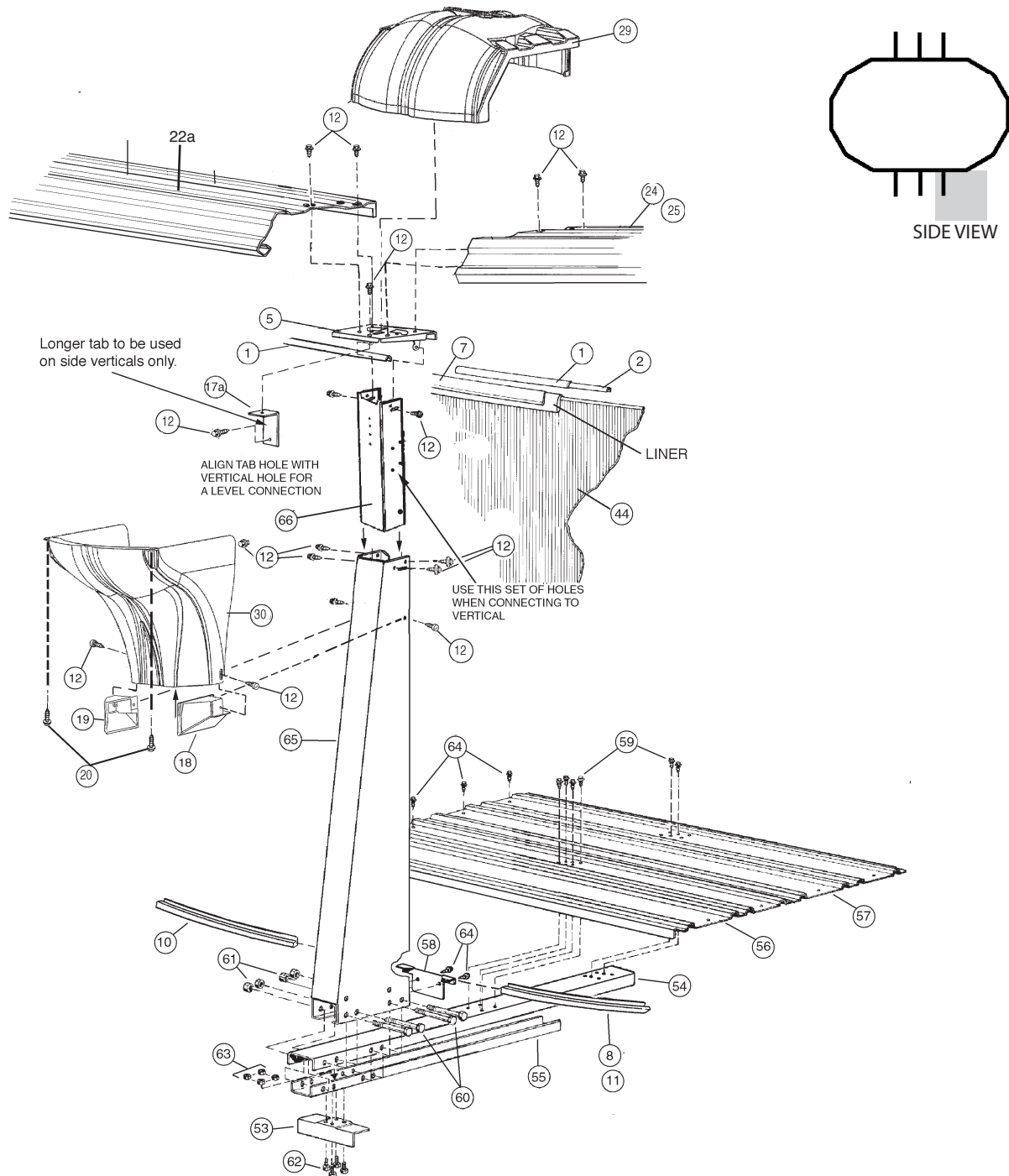
65	4	580-2402	Side support
----	---	----------	--------------

SIDE VERTICAL EXT. PACK # 5-8801-409

66	4	580-2401	Side vertical extension
----	---	----------	-------------------------



EXPLODED PARTS VIEW



Important! Above-ground pools are designed for swimming and wading only. Do not Dive or Jump! Misuse of your pool may result in crippling injury and/or other dangers to life and health. Do not use slides, diving boards, or any other platform or object which can be used for improper pool entry. Use only an above-ground swimming pool ladder or entry system to enter or exit your pool. Never attempt to swim or reach behind ladders or any other pool entry system. It is the pool owner's responsibility to secure the pool against unauthorized, unsupervised or unintentional entry. It is also the pool owner's responsibility to warn all pool users of the hazards of diving into shallow water: paralyzing injury may result. Always obey all safety rules. Remember, pool safety is everybody's responsibility.

Safety decals and caution information provided with your pool have been endorsed by the U.S. Consumer Product Safety Commission. It is mandatory that the pool owner and installer follow the installation and use directions for all provided safety signs and decals. Juveniles must be supervised at all times by a responsible adult as directed by the USCPSC.

Change of Design: The manufacturer (HII) expressly reserves the right to change or modify the design and construction of any product in due course of their manufacturing procedures, without incurring any obligation to furnish or install such changes or modifications on products previously or subsequently sold.