



POOL BREAKDOWN



PRISTINE BAY 24' x 12' OVAL 52" COMPAC SUPPORT STEEL TOP RAIL - STEEL VERTICAL

√	QTY	CARTON NUMBER	CARTON DESCRIPTION
	1	5-9942-103	ASSEMBLY PACK CARTON
	1	5-1200-904-560	VERTICAL PACK CARTON
	1	5-9861-610	TOP RAIL PACK CARTON
	1	5-9999-2216	TOP CONNECTOR CARTON
	1	5-XXXX-042	SIDEWALL CARTON
	1	5-9116-101	SKIRT PACK
	1	0-8888-206	SUPPORT BASE CARTON
	1	0-8852-600	SIDE SUPPORT CARTON



CARTON BREAKDOWN

✓	ITEM	QTY	PART NUMBER	DESCRIPTION
ASSEMBLY PACK # 5-9942-103				
	1	33	545-1001	Plastic coping
	2	10	580-2379	Vertical end cap
	3	8	583-1012	Stabilizer Rail (Small)
	4	12	583-1011	Stabilizer Rail (Large)
	5	12	589-1133	Bottom rail - stamped L 12
	6	4	589-1052	Bottom rail - stamped S
	8	126	330-1127	Sheet metal screw, #10 x 1/2"
	8a	10	510-1036	#10 x 1/2" Phillips Pan HD screw
	9	10	580-1344	Bottom connector
	15	6	580-1949	Side vertical end cap
	15b	6	510-1001	#10 x 1-1/2" screw
	—	1	573-5670	Pool Parts List
	—	1	573-4067	Installation Instructions
	—	1	— — —	Warranty Card
	—	1	573-3169	"Safety First" Booklet

TOP CONNECTOR PACK # 5-9999-2216				
	7	16	340-2748	Top connector

VERTICAL PACK # 5-1200-904-560				
	16	10	580-2222	Vertical

TOP RAIL PACK # 5-9861-610				
	14	16	587-1350	Top rail

SKIRT PACK # 5-9116-101				
	15a	16	340-2749	Vertical skirt

SIDEWALL CARTON				
	17	1	5-XXXX-042	Sidewall
	18	1	535-1442	Protective strip
	19	26	321-1029	1/4-20 Hex Flange Locknut
	20	26	330-1280	1/4-20 x 1/2" Grade 5 Bolt
	—	1	560-1055	Warning Sign
	—	1	573-3169	"Safety First" Booklet
	—	1	573-3498	Safety DVD

WRITE SIDEWALL NUMBER HERE _____

WRITE SIDEWALL BOX SERIAL NUMBER HERE _____

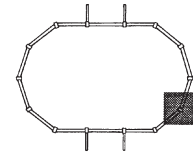
SUPPORT BASE PACK # 0-8888-206

24	6	580-1779	Skid support
25	6	580-2071	Ground support - top
26	6	580-2072	Ground support - bottom
27	6	580-1869	Pressure pad
28	6	580-1870	Pressure pad
29	6	580-1792	Btm rail locator & cover
30	36	510-1035	#12x3/4" hex washer head screw
31	24	330-1220	3/8"-16 x 3-1/2" hex head bolt
32	24	321-1069	3/8-16 hex nut
33	24	510-1018	1/4-20 x 1/2" hex head bolt - grade 5
34	24	511-1000	1/4-20 hex nut
35	36	330-1127	Sheet metal screw, #10 x 1/2"

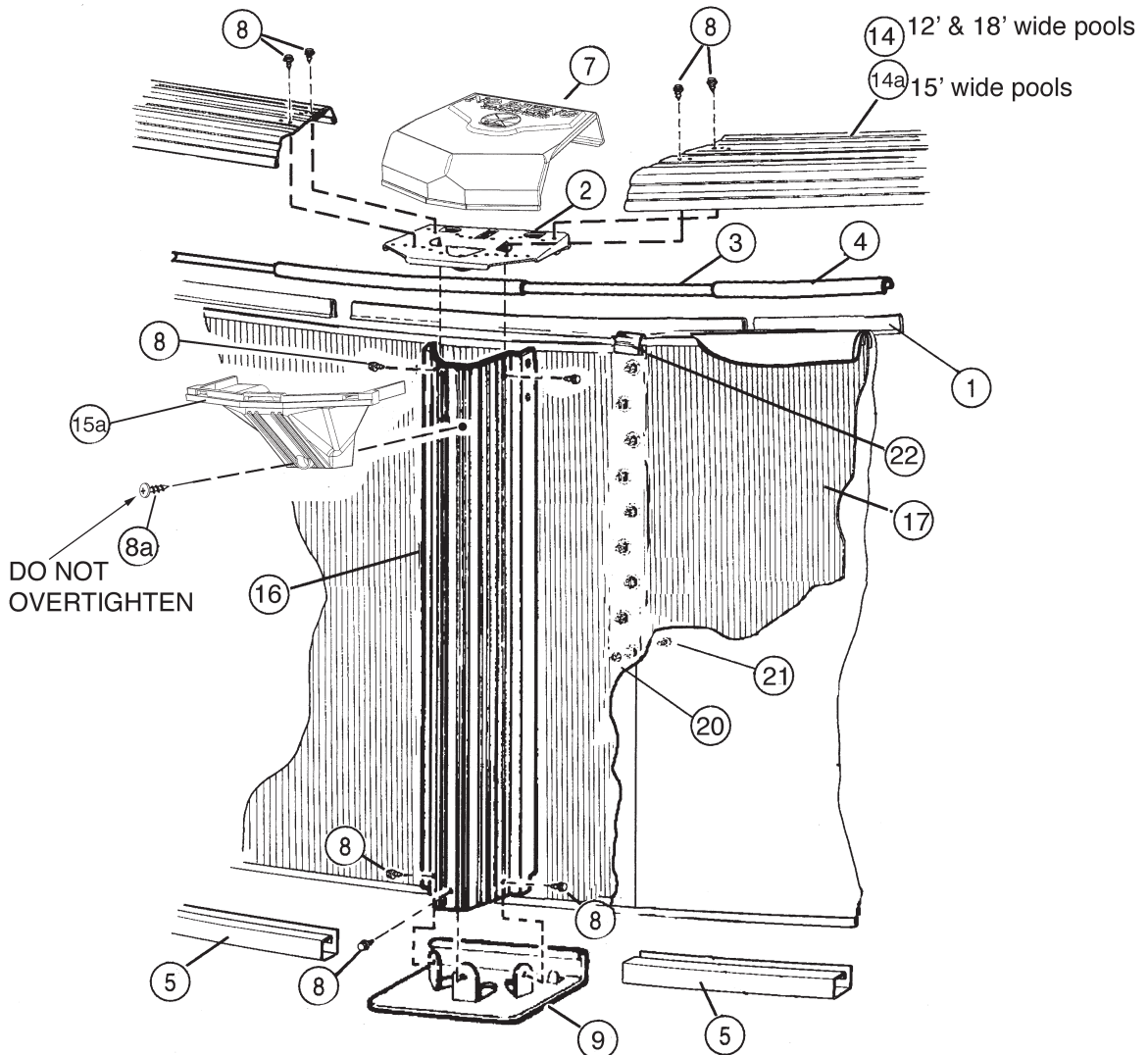
SIDE SUPPORT PACK # 0-8852-600

36	6	580-2074	Side support
----	---	----------	--------------

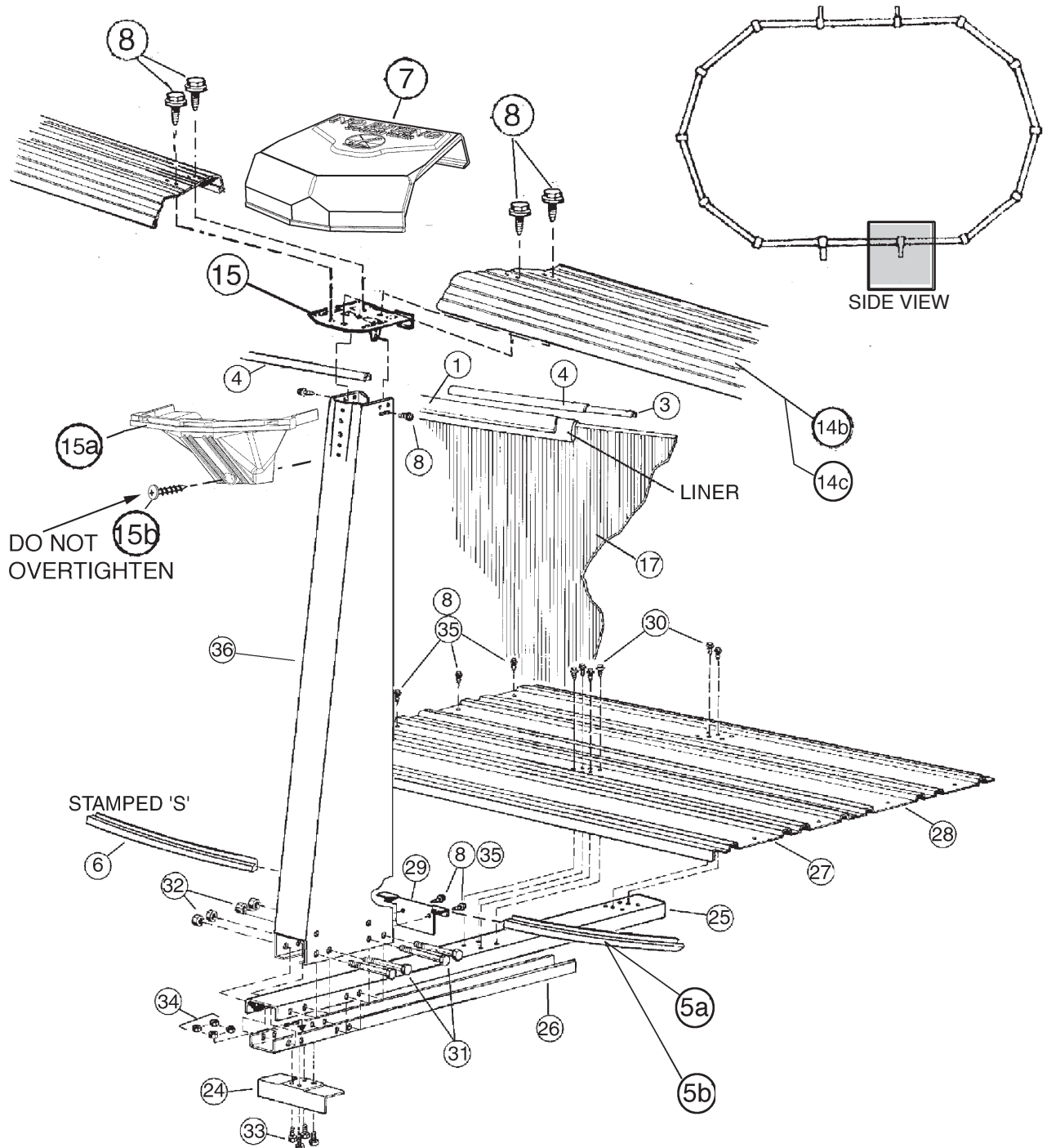
EXPLODED PARTS VIEW



END VIEW



EXPLODED PARTS VIEW



Important! Above-ground pools are designed for swimming and wading only. Do not Dive or Jump! Misuse of your pool may result in crippling injury and/or other dangers to life and health. Do not use slides, diving boards, or any other platform or object which can be used for improper pool entry. Use only an above-ground swimming pool ladder or entry system to enter or exit your pool. Never attempt to swim or reach behind ladders or any other pool entry system. It is the pool owner's responsibility to secure the pool against unauthorized, unsupervised or unintentional entry. It is also the pool owner's responsibility to warn all pool users of the hazards of diving into shallow water: paralyzing injury may result. Always obey all safety rules. Remember, pool safety is everybody's responsibility.

Safety decals and caution information provided with your pool have been endorsed by the U.S. Consumer Product Safety Commission. It is mandatory that the pool owner and installer follow the installation and use directions for all provided safety signs and decals. Juveniles must be supervised at all times by a responsible adult as directed by the USCPSC.

Change of Design: The manufacturer (HII) expressly reserves the right to change or modify the design and construction of any product in due course of their manufacturing procedures, without incurring any obligation to furnish or install such changes or modifications on products previously or subsequently sold.