

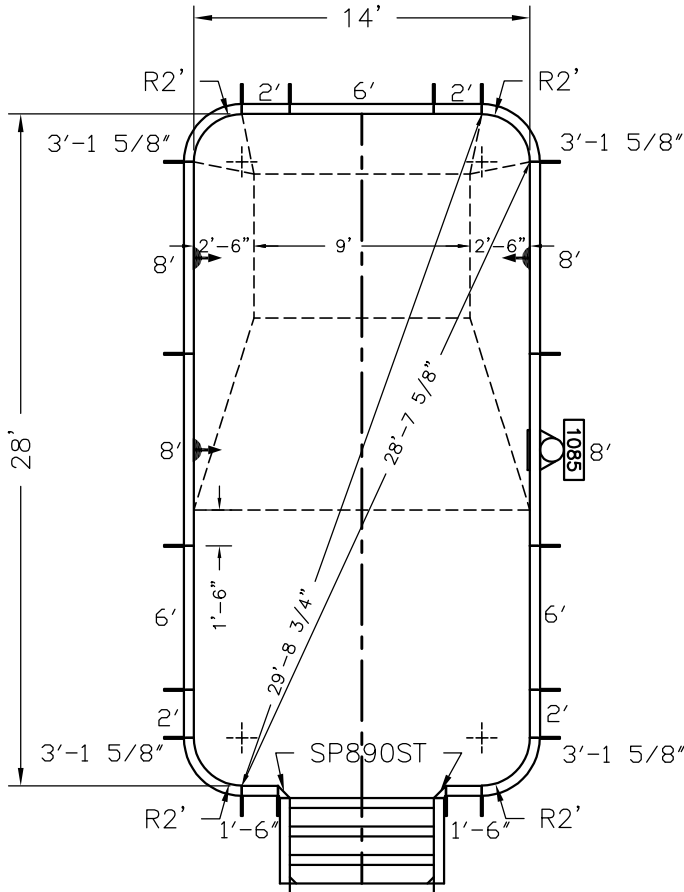


**Pool Size:** 14' X 28'  
**Pool Shape:** RECTANGLE  
**Pool Number:** PRT30553

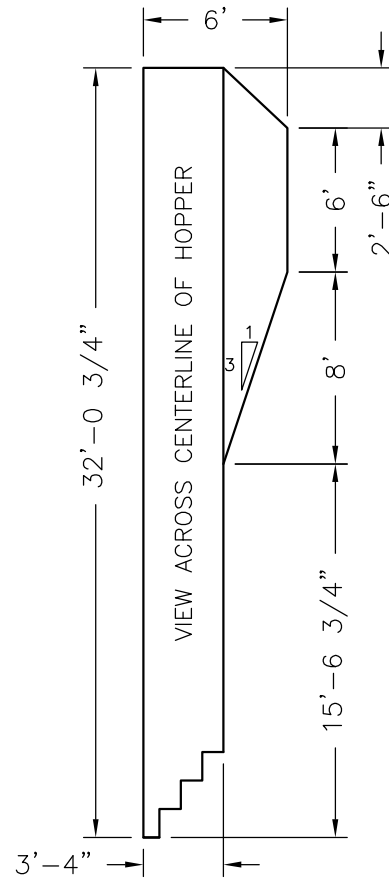
250 Route 61 South, Schuylkill Haven, PA 17972 • 570-385-4733 • fax: 570-385-1318 • CustomerService@CardinalSystemsinc.com

### Bill of Materials



PART NO.	QUANTITY	DESCRIPTION
"A" FRAME	18	"A" FRAME ASSEMBLY
5C42315XX02000	4	2' RADIUS CORNER
S0600SP34200XX3	1	6' POURED STEP W/LINER TRACK - SCREED EDGE - NEW STYLE
SP890ST	2	STRAIGHT WALL STEP TRANSITION
5S42160XXX0	2	1'-6" Straight PANEL W/0 Z
5S42200XXX0	4	2' Straight PANEL W/0 Z
5S42600XXX1	3	6' Straight PANEL W/1 Z
5S42800RCN2	3	8' Straight PANEL W/2 Z WITH Return
5S42800WCN2	1	8' Straight PANEL W/2 Z WITH 1085 Skimmer



6' POURED STEP  
W/LINER TRACK  
SCREED EDGE  
S0600SP34200XX3



NOTE: THIS IS A NON DIVING POOL.

<b>Date:</b> 11/23/21	<b>Perimeter:</b> 88'-1 1/4"	  CardinalSystemsinc.com
<b>Drawn By:</b> JAY I.	<b>Area:</b> 413.2 SQ. FT.	
<b>Scale:</b> 1/8" = 1'-0"	<b>Notes:</b> -----	

This information is the confidential property of Cardinal Systems, Inc. Disclosure or duplication without proper written approval is strictly prohibited. Acceptance and use of this drawing constitutes knowledge and acceptance by the user of the terms and conditions set forth in the notice and warning which accompanied this drawing is incorporated herein and made part hereof and is found on Cardinal Systems, Inc's website at www.CardinalSystemsinc.com