

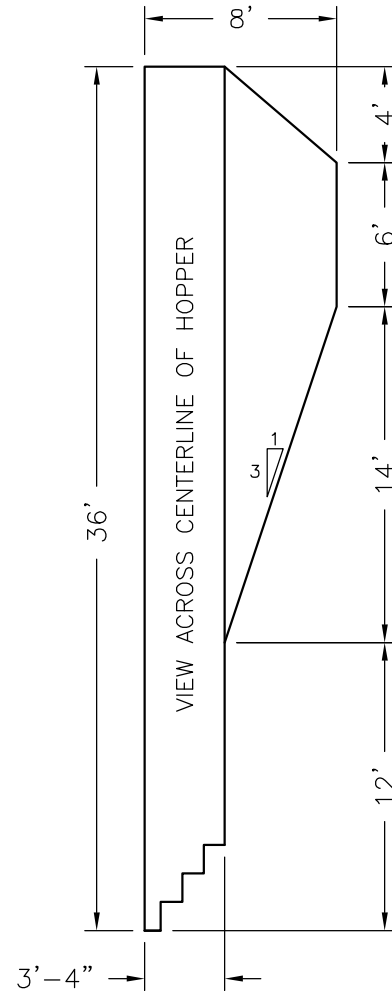
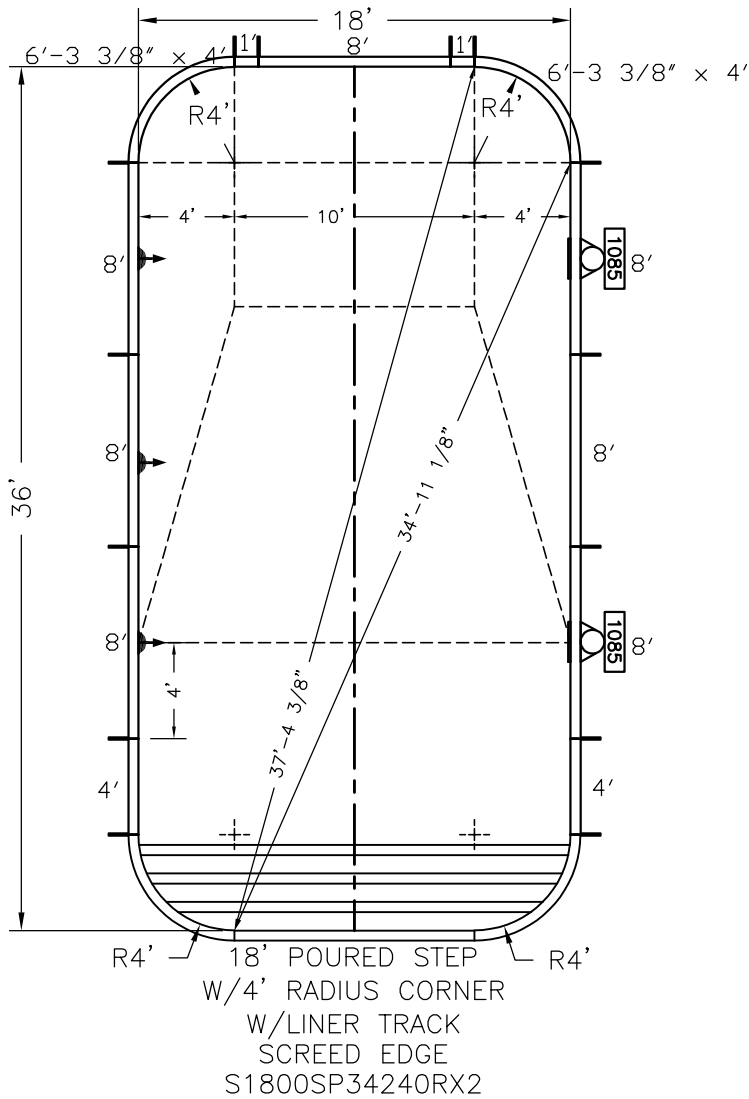


**Pool Size:** 18' X 36'  
**Pool Shape:** RECTANGLE  
**Pool Number:** PRT30578

250 Route 61 South, Schuylkill Haven, PA 17972 • 570-385-4733 • fax: 570-385-1318 • CustomerService@CardinalSystemsinc.com

### Bill of Materials

PART NO.	QUANTITY	DESCRIPTION
"A" FRAME	14	"A" FRAME ASSEMBLY
S1800SP34240RX2	1	18' POURED STEP W/LINER TRACK-SCREED EDGE
5C42633XX04000	2	6'-3 3/8" x 4' Radius C PANEL W/0 Z
5S42100XXX0	2	1' Straight PANEL W/0 Z
5S42400XXX0	2	4' Straight PANEL W/0 Z
5S42800RCN2	3	8' Straight PANEL W/2 Z WITH Return
5S42800WCN2	2	8' Straight PANEL W/2 Z WITH 1085 Skimmer
5S42800XXX2	2	8' Straight PANEL W/2 Z



**Date:** 11/23/21  
**Drawn By:** JAY I.  
**Scale:** 1/8" = 1'-0"

**Perimeter:** 101'-1 5/8"  
**Area:** 634.3 SQ. FT.  
**Notes:** -----



This information is the confidential property of Cardinal Systems, Inc. Disclosure or duplication without proper written approval is strictly prohibited. Acceptance and use of this drawing constitutes knowledge and acceptance by the user of the terms and conditions set forth in the notice and warning which accompanied this drawing is incorporated herein and made part hereof and is found on Cardinal Systems, Inc's website at www.CardinalSystemsinc.com