

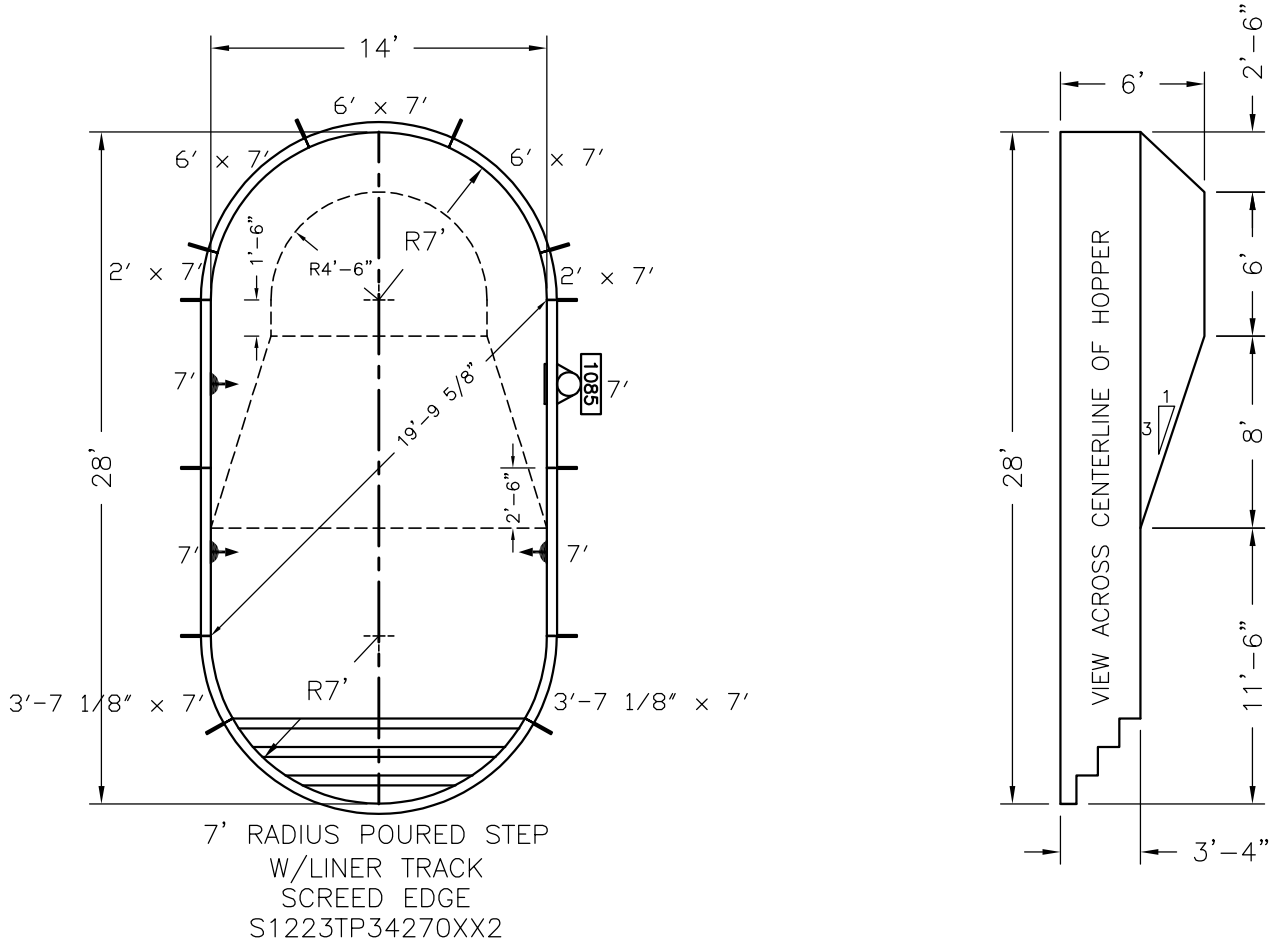


Pool Size: 14' X 28'
Pool Shape: OVAL
Pool Number: POV00433



250 Route 61 South, Schuylkill Haven, PA 17972 • 570-385-4733 • fax: 570-385-1318 • CustomerService@CardinalSystemsinc.com

Bill of Materials

PART NO.	QUANTITY	DESCRIPTION
"A" FRAME	12	"A" FRAME ASSEMBLY
S1223TP34270XX2	1	7' RADIUS POURED STEP W/LINER TRACK - SCREED EDGE - NEW STYLE
5C42200XX07000	2	2' x 7' Radius C PANEL W/0 Z
5C42371XX07000	2	3'-7 1/8" x 7' Radius C PANEL W/0 Z
5C42600XX07000	3	6' x 7' Radius C PANEL W/0 Z
5S42700RCN2	3	7' Straight PANEL W/2 Z WITH Return
5S42700WCN2	1	7' Straight PANEL W/2 Z WITH 1085 Skimmer



NOTE: THIS IS A NON DIVING POOL.

Date: 11/24/21	Perimeter: 71'-11 3/4"	  CardinalSystemsinc.com
Drawn By: JAY I.	Area: 349.9 SQ. FT.	
Scale: 1/8" = 1'-0"	Notes: -----	

This information is the confidential property of Cardinal Systems, Inc. Disclosure or duplication without proper written approval is strictly prohibited. Acceptance and use of this drawing constitutes knowledge and acceptance by the user of the terms and conditions set forth in the notice and warning which accompanied this drawing is incorporated herein and made part hereof and is found on Cardinal Systems, Inc's website at www.CardinalSystemsinc.com