

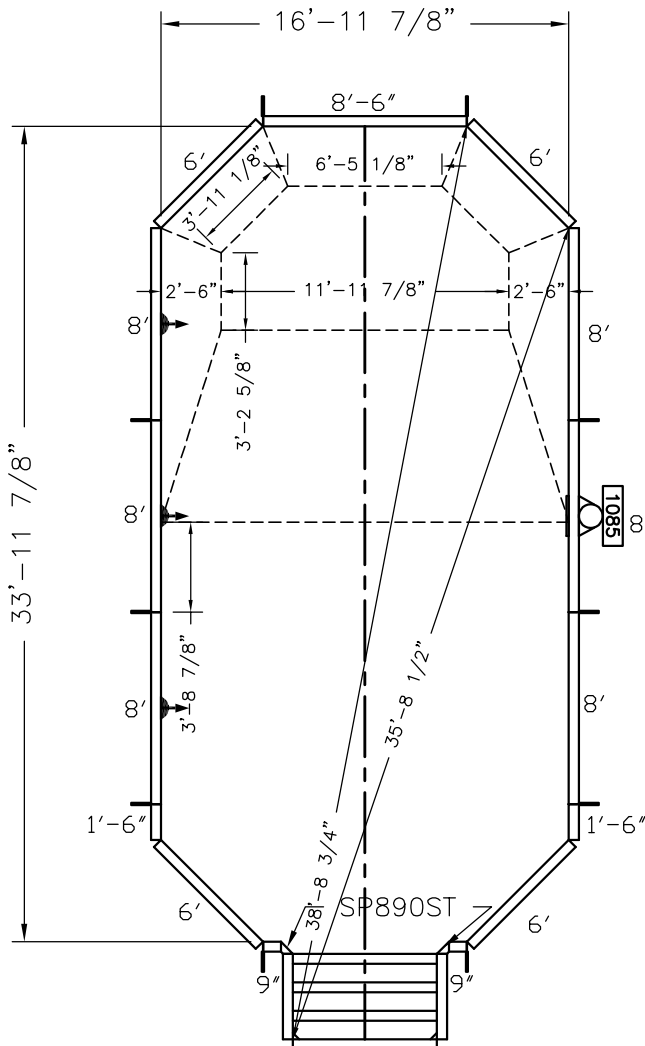


**Pool Size:** 17' X 34'  
**Pool Shape:** GRECIAN  
**Pool Number:** PGR01860

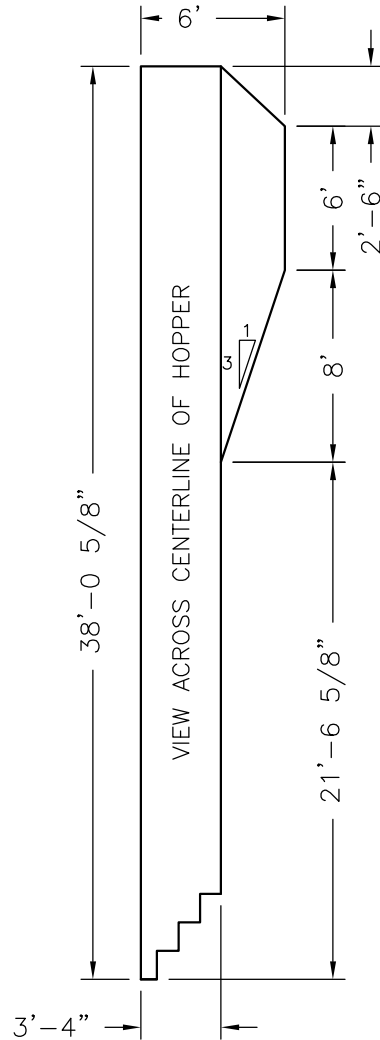
250 Route 61 South, Schuylkill Haven, PA 17972 • 570-385-4733 • fax: 570-385-1318 • CustomerService@CardinalSystemsinc.com

### Bill of Materials



PART NO.	QUANTITY	DESCRIPTION
"A" FRAME	10	"A" FRAME ASSEMBLY
CS901GC	8	GRECIAN CORNER ANGLE
S0600SP34200XX3	1	6' POURED STEP W/LINER TRACK - SCREED EDGE - NEW STYLE
SP890ST	2	STRAIGHT WALL STEP TRANSITION
5S42090XXX0	2	9" Straight PANEL W/0 Z
5S42160XXX0	2	1'-6" Straight PANEL W/0 Z
5S42600XXX1	4	6' Straight PANEL W/1 Z
5S42800RCN1	3	8' Straight PANEL W/1 Z WITH Return
5S42800WCN2	1	8' Straight PANEL W/2 Z WITH 1085 Skimmer
5S42800XXX2	2	8' Straight PANEL W/2 Z
5S42860XXX2	1	8'-6" Straight PANEL W/2 Z



6' POURED STEP  
W/LINER TRACK  
SCREED EDGE  
S0600SP34200XX3



NOTE: THIS IS A NON DIVING POOL.

<b>Date:</b> 11/29/21	<b>Perimeter:</b> 96'-6 1/2"	  CardinalSystemsinc.com
<b>Drawn By:</b> JAY I.	<b>Area:</b> 565.9 SQ. FT.	
<b>Scale:</b> 1/8" = 1'-0"	<b>Notes:</b> -----	

This information is the confidential property of Cardinal Systems, Inc. Disclosure or duplication without proper written approval is strictly prohibited. Acceptance and use of this drawing constitutes knowledge and acceptance by the user of the terms and conditions set forth in the notice and warning which accompanied this drawing is incorporated herein and made part hereof and is found on Cardinal Systems, Inc's website at www.CardinalSystemsinc.com