

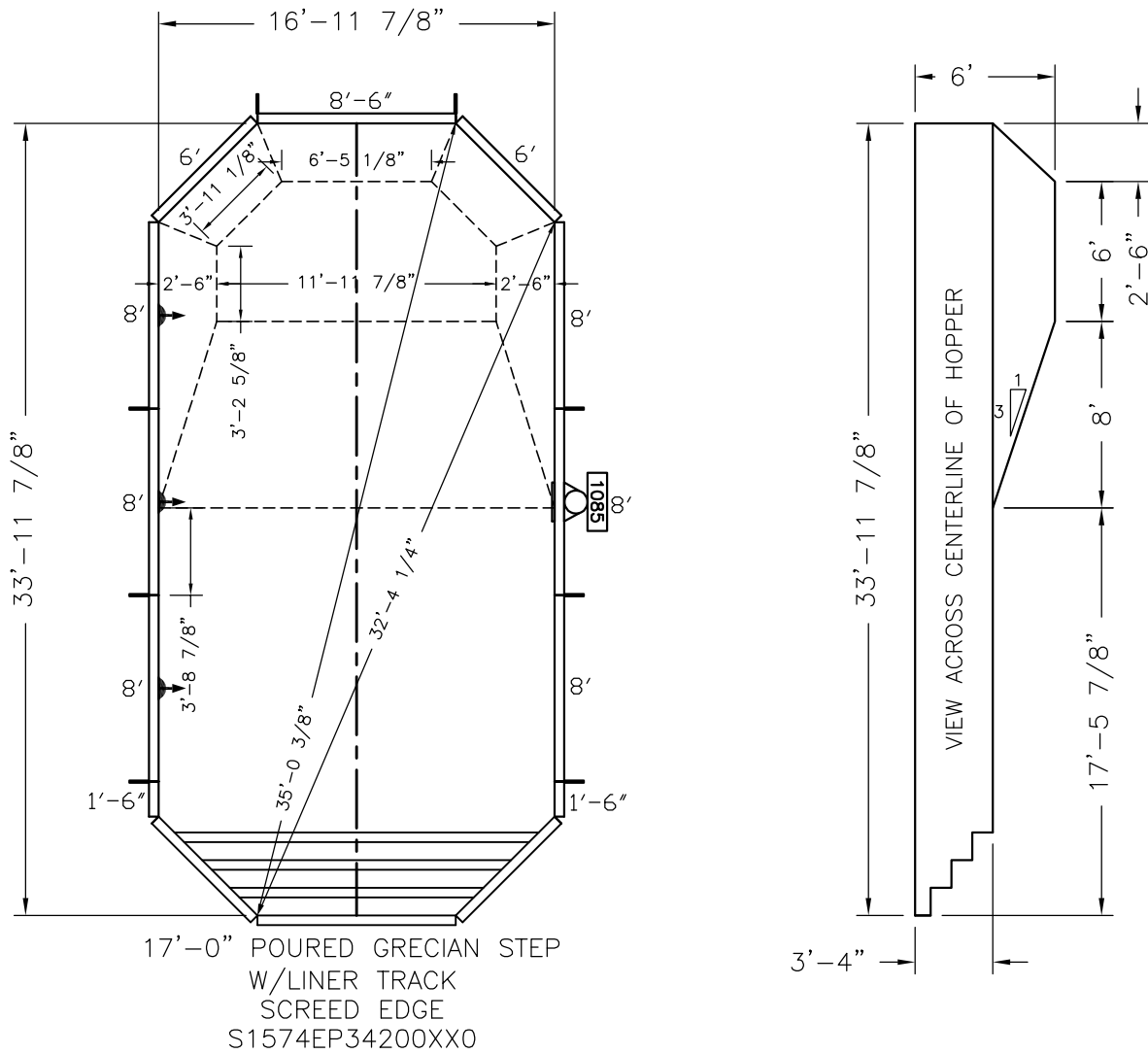


**Pool Size:** 17' X 34'  
**Pool Shape:** GRECIAN  
**Pool Number:** PGR01865



250 Route 61 South, Schuylkill Haven, PA 17972 • 570-385-4733 • fax: 570-385-1318 • CustomerService@CardinalSystemsinc.com

### Bill of Materials

PART NO.	QUANTITY	DESCRIPTION
"A" FRAME	8	"A" FRAME ASSEMBLY
CS901GC	6	GRECIAN CORNER ANGLE
S1574EP34200XX0	1	17'-0" POURED GRECIAN STEP W/LINER TRACK-SCREED EDGE-NEW STYLE
5S42160XXX0	2	1'-6" Straight PANEL W/0 Z
5S42600XXX1	2	6' Straight PANEL W/1 Z
5S42800RCN2	3	8' Straight PANEL W/2 Z WITH Return
5S42800WCN2	1	8' Straight PANEL W/2 Z WITH 1085 Skimmer
5S42800XXX2	2	8' Straight PANEL W/2 Z
5S42860XXX2	1	8'-6" Straight PANEL W/2 Z



NOTE: THIS IS A NON DIVING POOL.

<b>Date:</b> 11/29/21	<b>Perimeter:</b> 92'-0"	  CardinalSystemsinc.com
<b>Drawn By:</b> JAY I.	<b>Area:</b> 541.3 SQ. FT.	
<b>Scale:</b> 1/8" = 1'-0"	<b>Notes:</b> -----	

This information is the confidential property of Cardinal Systems, Inc. Disclosure or duplication without proper written approval is strictly prohibited. Acceptance and use of this drawing constitutes knowledge and acceptance by the user of the terms and conditions set forth in the notice and warning which accompanied this drawing is incorporated herein and made part hereof and is found on Cardinal Systems, Inc's website at www.CardinalSystemsinc.com