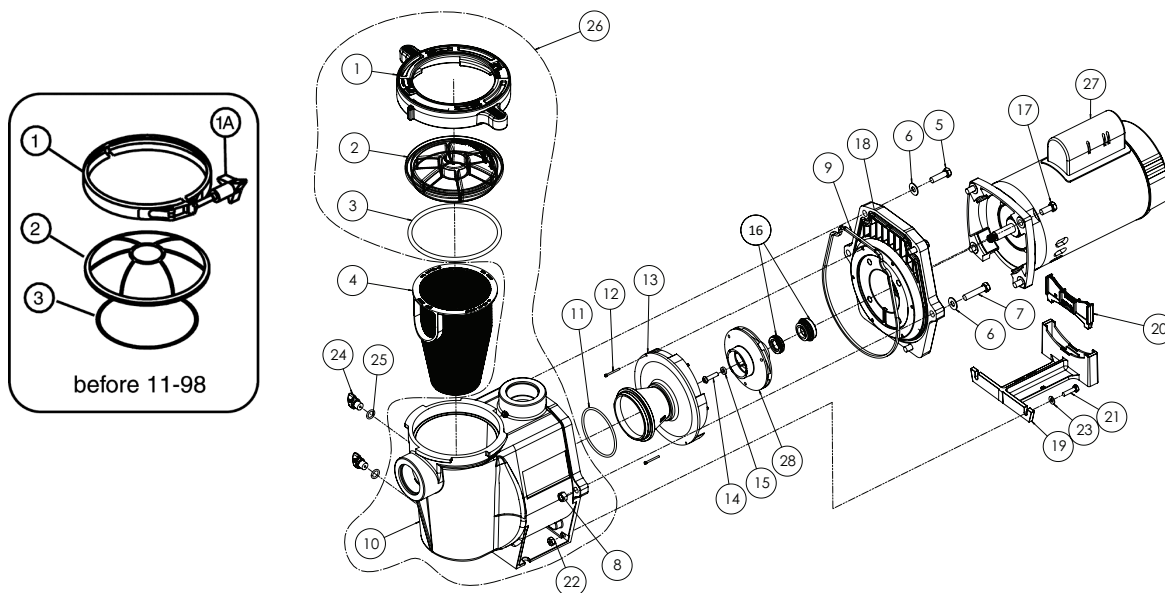


# WHISPERFLO® PUMP

## REPLACEMENT PARTS



Item	Part No.	Description
<b>WHISPERFLO PUMPS</b>		
1	070711	Clamp band assembly, SS, WF/AQ <sup>5</sup> (old style)
1	357150	Clamp, Cam & Ramp™, plastic, black, WF <sup>7</sup>
1	357199	Clamp, Cam & Ramp, plastic, almond, WF <sup>8</sup>
1A	071136Z	Knob, only <sup>5</sup>
2	070795	Cover, clear, AQ/WFE pump <sup>5</sup> (old style)
2	357151	Cover, clear, WFE pump <sup>6</sup>
2	357156	Cover, chemical resistant Cam & Ramp
3	071422	O-ring, AQ/WFE cover <sup>5</sup>
3	350013	O-ring, WFE cover <sup>6</sup>
4	070387	Basket
5	070430	Bolt, 3/8, 16 x 1-1/4 hex hd. SS, 4 req.
6	072184	Washer, 3/8 x 13/16 o.d. SS, 6 req.
7	070431	Bolt, 3/8, 16 x 1-3/4 hex hd. SS, 2 req.
8	071403	Nut, 3/8, 16 hex hd., 2 req.
9	071445	O-ring parker No.2-265, WFE pump <sup>1,4</sup>
9	357100	Black Gasket for Seal Plate <sup>14</sup>
9	357102	Almond Gasket for Seal Plate <sup>15</sup>
10	357149	Volute & Sealplate, Almond Replacement Kit <sup>6</sup>
10	350015	Volute, almond
10	357157	Volute, black
11	355227	O-ring parker No.2-238, WFE pump
12	071660	Set screw, 4-40 x 1-1/8 WFE, 2 req.
13	072928	Diffuser assembly, WFE-12, 3 HP; WFK-12, 3HP models
13	072927	Diffuser assembly, WFE-2-8, 1/2 HP - 2-1/2 HP
14	071652	Set screw, 1/4, 20 x 1 lh. phillips

Item	Part No.	Description
15	075713	Rubber washer, WFE pump
16	071734S	Seal PA-7 w/ ceramic seat, PS1000
17	070429	Bolt, 3/8, 16 x 7/8 SS hex hd., 4 req.
18	350202	Seal Plate Kit, Almond with Gasket (Includes Mechanical Seal Installed and Seal Plate Gasket) Items 9, 16 & 18
18	350101	Seal Plate Kit WFE Black (Includes Mechanical Seal installed) Items 16 & 18
19	070927	Foot, WFE-4 pump, almond
19	357159	Foot, black <sup>9</sup>
20	070929	Foot insert, WFE pump, almond
20	357160	Foot insert, WFE pump, black <sup>9</sup>
21	071657	Screw, 1/4, 20 x 1 in. hh. SS, 2 req.
22	071406	Nut, 1/4, 20 hex. hd. SS, 2 req.
23	072183	Washer, flat 1/4 x 5/8, 2 req.
24	071131	Knob plug drain, 2 req. almond
24	357161	Knob plug drain, 2 req., black <sup>9</sup>
25	192115	O-Ring drain plug, 2 req.
26	357149	Almond Volute/Seal plate kit <sup>6</sup> (Includes items 1-4, 9, 10, 16, 18, 24, 25.)
<b>MOTORS</b>		
27	355008S	3/4 HP, 60 Hz, WFE-2, 3 & 24, 2 1 sp, almond <sup>3</sup>
27	355010S	1 HP, 60 Hz, WFE-4 & 26, 1 sp, almond <sup>3</sup>
27	355012S	1-1/2 HP, 60 Hz, WFE-6 & 28, 1 sp, almond <sup>3</sup>
27	355014S	2 HP, 60 Hz, WFE-8 & 30, 1 sp, almond <sup>3</sup>

# WHISPERFLO® PUMP (CONT'D)

## REPLACEMENT PARTS

Item	Part No.	Description
<b>MOTORS</b>		
27	355016S	3 HP, 60 Hz, WFE-12, 1 sp, almond <sup>3</sup>
27	350088S	3/4 HP, 2 sp, WFDS-3
27	356630S	1 HP, 2 sp., WFDS-4 & 26 <sup>11</sup>
27	071320S	1-1/2 HP, 2 sp., WFDS-6 & 28 <sup>11</sup>
27	071321S	2 HP, 2 sp., WFDS-8 & 30 <sup>11</sup>
27	355018S	1/2 HP, WF-2, 23, 1 sp, almond <sup>10</sup>
27	355020S	3/4 HP, WF-3, 24, 1 sp, almond <sup>10</sup>
27	355022S	1 HP, WF-4, 26, 1 sp, almond <sup>10</sup>
27	355024S	1-1/2 HP, WF-6, 28 <sup>10</sup>
27	355026S	2 HP, WF-8, 30 <sup>10</sup>
27	355033S	3 HP, 1 sp, WF-12, 1 sp, almond <sup>10</sup>
27	354805S	1 HP, 3 ph, 1 sp, sq. flg. almond, WFK-4
27	354807S	1.5 HP, 3 ph, 1 sp, sq. flg. almond, WFK-6
27	354809S	2 HP, 3 ph, 1 sp, sq. flg. almond, WFK-8
27	354811S	3 HP, 3 ph, 1 sp, sq. flg. almond, WFK-12
27	354806S	WFK-4 motor, 3 ph, 1 sp, black
27	354808S	WFK-6 motor, 3 ph, 1 sp, black
27	354810S	WFK-8 motor, 3 ph, 1 sp, black
27	354812S	WFK-12 motor, 3 ph, 1 sp, black
<b>IMPELLERS</b>		
28	073126	Impeller (WF-2, WF-23, WFE-2, WFK-2,)
28	073127	Impeller (WFE-3, WFE-24, WF-3, WF-24, WFK-3, WFDS-3, WFDS-24)
28	073128	Impeller (WFE-4, WFE-26, WF-4, WF-26, WFK-4, WFDS-4, WFDS-26)
28	073129	Impeller (WF-6, WF-28, WFE-6, WFE-28, WFK-6, WFDS-6, WFDS-28)
28	073130	Impeller (WF-8, WF-30, WFE-8, WFE-30, WFK-8, WFDS-8, WFDS-30)
28	073131	Impeller (WFE-12, WF-12, WFK-12)
<b>POWER END SUBASSY. INCLUDES ITEMS No. 12 THRU 18, 27, 28</b>		
	075251	WF-2, WF-23
	075145	WFDS-3, WFDS-24
	075136	WFE-2
	075137	WFE-3, WFE-24 <sup>3</sup>
	075138	WFE-4, WFE-26 <sup>3</sup>
	075139	WFE-6, WFE-28 <sup>3</sup>
	075140	WFE-8, WFE-30 <sup>3</sup>
	075141	WFE-12 <sup>3</sup>
	075142	WFDS-4, WFDS-26 <sup>11</sup>
	075143	WFDS-6, WFDS-28 <sup>11</sup>

Item	Part No.	Description
	075144	WFDS-8, WFDS-30 <sup>11</sup>
<b>POWER END SUBASSY. INCLUDES ITEMS No. 12 THRU 18, 27, 28 , CONT.</b>		
	075252	WF-3, WF-24 <sup>10</sup>
	075253	WF-4, WF-26 <sup>10</sup>
	075254	WF-6, WF-28 <sup>10</sup>
	075255	WF-8, WF-30 <sup>10</sup>
	075256	WF-12 <sup>10</sup>
<b>FLUID ENDS-ALL PARTS, W/O MOTOR</b>		
	075452	WFE-3 fluid end, 3/4 HP
	075453	WFE-4 fluid end, 1 HP
	075454	WFE-6 fluid end, 1-1/2 HP
	075455	WFE-8 fluid end, 2 HP
	075456	WFE-12 fluid end, 3 HP
<b>NOT SHOWN</b>		
	79129900	2-Speed Toggle Switch with Mounting plate
	350202	Seal Plate Kit: Seal plate (almond), Gasket (black), with installed Seal (Includes items 9, 16, & 18)
	350203	Seal Plate Kit: Seal plate (black), Gasket (black), with installed Seal (Includes items 9, 16, & 18)
	357243	Pot Assembly, Almond NPT. (Includes items 1-4, 10, 24 (qty. 2), 25 (qty. 2))
	357244	Pot Assembly, Black NPT. (Includes items 1-4, 10, 24 (qty. 2), 25 (qty. 2))
	355001S	Motor for Pump 011021
	355002S	Motor for Pump 340061
	400013Z	Motor End Cap and Screw
	350199	Seal Plate Kit (ozone/salt resistant)

<sup>1</sup> Used on pumps manufactured before 6-94.

<sup>2</sup> Used on pumps manufactured after 6-94.

<sup>3</sup> Energy efficient single phase.

<sup>4</sup> Pumps manufactured before 11-98 require a volute replacement kit (357149) when replacing items No.9-gasket, No.10-volute, or No.18-seal plate. This kit will update the pump to the new configuration using the "Cam and Ramp" lid design.

<sup>5</sup> Used on pumps manufactured before 11-98.

<sup>6</sup> Used on pumps manufactured after 11-98. Includes items 1-4, 9, 10, 16, 18, 24, 25.

<sup>7</sup> Used on pumps manufactured between 11-98 thru 12-17-99.

<sup>8</sup> Used on pumps manufactured after 12-17-99.

<sup>9</sup> CSA/CUL (only) for Canada.

<sup>10</sup> Standard efficiency, single phase.

<sup>11</sup> Two Speed, single phase.

<sup>12</sup> Includes items 16 & 18.

<sup>14</sup> 2-1-08 to present.

<sup>15</sup> 1-31-08 and prior.