

S.R.Smith Treo LED Light

OWNER'S MANUAL

**ATTN: INSTALLER – THIS DOCUMENT IS TO BE LEFT
WITH POOL OWNER**



Installation information applies to both RGB and White Light only models.

**CORPORATE HEADQUARTERS
WESTERN SALES AND MANUFACTURING PLANT
P.O. Box 400
1017 SW Berg Parkway
Canby, Oregon 97013
Phone: (503) 266-2231
Fax: (503) 266-4334
www.srsmith.com**



**CONFORMS TO UL STD 676
CERTIFIED TO CSA STD C22.2 #89**

**Intertek
4005496**

Basic Operation for LED Color Changing Lamp (RGB) - White Only

lamps are simply on or off

When connected to an approved, 12VAC, Class 2 power supply - The S.R.Smith Treo LED color changing light uses simple 'off / on' power switching to control the basic, pre-defined color modes with memory function.

Memory

The memory function remembers the last color setting. For example, if the light was last used in the blue mode, the next time the light is turned on it will be blue mode.

Color Mode Selection

The LED light will turn on to the color in memory. To move to the next color mode, quickly (within one second or faster) toggle the power to the lights 'OFF / ON'.

Advance through the modes until the desired mode is selected. The modes will cycle 1,2,3,4,5,6,7,8, then cycle back to 1. See table below for details.

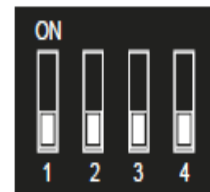
Color Mode Selection Guide	
Mode 1	Soft Color Change
Mode 2	White
Mode 3	Blue
Mode 4	Green
Mode 5	Red
Mode 6	Amber
Mode 7	Magenta
Mode 8	Flash Color Change

Color Sync Reset

To synchronize all lights on the system including older *Fiberstars LED Series Pool lights, you must use the following sequence:

1. Turn lights 'ON' to confirm the color modes are out of sync.
2. Turn lights 'OFF' for 5 seconds or more.
3. Toggles lights 'ON' / OFF' three times within three seconds - must end in 'OFF' condition
4. Leave lights in 'OFF' condition for 5 seconds.
5. Turn lights 'ON' and confirm that all lights are in mode #1, Soft Color Change

* Older Fiberstars LED lights can synchronize with the newest generation lights ONLY if they have their DIP switches in their default, 'All Down' position. In a mixed environment, the Color Sync Reset will need to be performed each time the lights are used and color synchronization is desired.



Advanced Operation via ACP

Advance Control Protocol (ACP) provides dimming and custom color control through a dedicated color remote control. All S.R. Smith LED lights (Treo®, Fiberglass®, Treo Micro®) and 2015 or later water features are ACP compatible.

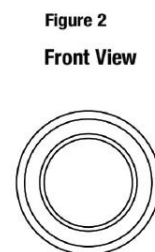
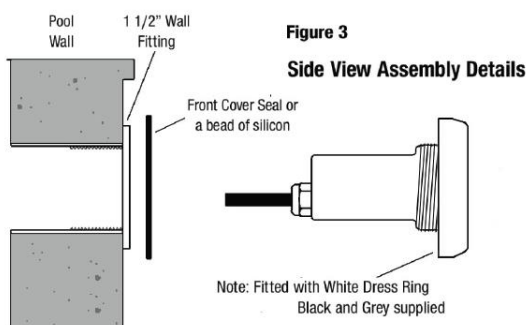
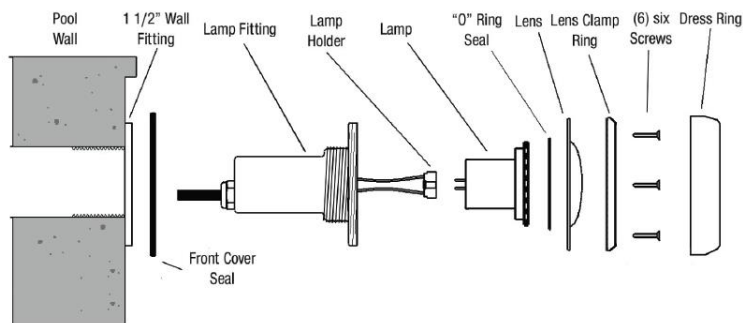
S.R.Smith Treo Winterization Recommendations

Swimming Pools may or may not be drained completely. If not drained completely, the water level should be lowered below the S.R.Smith Treo LED light and all water is drained from the wall fitting and conduit. Alternatively, the S.R.Smith Treo LED light may be removed completely, the conduit purged of all water, and a 1 1/2" NPT male plug with thread sealing tape may be used to close the wall fitting.

NOTE - If water is trapped in conduit, damage may occur from freeze expansion.

Lamp Replacement Instructions for S.R.Smith Treo Light

1. Depending on your particular installation, lowering the water level may or may not be required. Extra cord may have been coiled inside the conduit or near the power equipment. Only open the light body in a 'dry' environment, above the water level.
2. Unscrew the Color Bezel Ring from the light body.
3. Unscrew the (6) six lens screws to unclip the lamp from the lamp socket as shown on the Assembly drawing below.
4. Replace the FLED-LAU (C or W) Lamp. Note: To ensure reliable operation of your S.R.Smith Treo LED lamp use a genuine S.R.Smith LED lamp and seal replacement kit (part no. **FLED-LAU-C** or **FLED-LAU-W**). When the lamp is replaced it is important to maintain the water tight seal by replacing the "O" ring.
5. When reassembling the S.R.Smith Treo LED lamp, ensure the "O" ring is sitting correctly and that the lamp keyway notches fit the housing tabs. Replace the (6) lens screws and ensure the screws are snug but not over tightened. Screw on the colored Bezel Ring to the light housing.
6. Feed wire back into the wall fitting or conduit if light was removed from the wall.



This light is equipped with a thermal protection circuit built into the LED lamp assembly. If the circuit detects that the lamp assembly is getting too hot for a given environment, it will automatically reduce the brightness in increments until the lamp remains below the thermal threshold. If this condition occurs, it may or may not be noticeable by the human eye and is a normal function, not a sign of malfunction or failure.