



# HAYWARD®



## USER'S GUIDE

CE








## Important Safety Precautions

**Attention User:** This manual contains important information that will help you in operating and maintaining this pool cleaner. Please retain it for reference. This document should be given to the owner of the swimming pool and must be kept by the owner in a safe place.




**WARNING** – Before installing this product, read and follow all warning notices and instructions which are included. Failure to follow safety warnings and instructions can result in severe injury, death, or property damage.

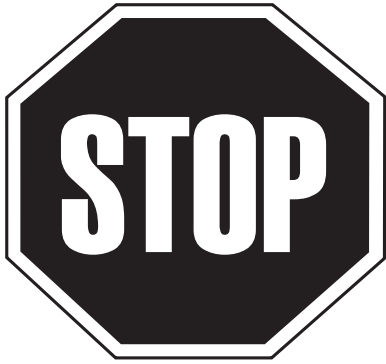
### Consumer Information and Safety

This pool cleaner is designed and manufactured to provide safe and reliable service when installed, operated and maintained according to the information in this manual. Be sure to read and comply with all of the warnings and cautions.

 <b>DANGER</b>	<b>Risk of electrical shock or electrocution</b> The electrical supply to this product must be installed in accordance with all applicable local codes (see p16) and ordinances. Improper installation will create an electrical hazard which could result in death or serious injury to pool users or others due to electrical shock, and may also cause damage to property.
 <b>WARNING</b>	Do not play with cleaner or cable or apply to body. Can trap or tear hair or body parts. Cable can trip or entangle swimmers which could result in drowning.
 <b>WARNING</b>	Do not allow swimmers in the pool while pool cleaner is operating.
 <b>WARNING</b>	To reduce the risk of injury, do not let children use or play with pool cleaner.
 <b>CAUTION</b>	Before installing the cleaner, understand cleaner coverage. The cleaner was not designed to automatically clean steps or to work under a solar cover. It was also not designed to do initial cleanup for a new pool installation.

### Operating the Cleaner.

 <b>WARNING</b>	Your cleaner should not be used while people are swimming in the pool.
 <b>WARNING</b>	A 30 mA differential protection device must be installed to protect your electrical outlet and to prevent any possible electric shock. Failure to do so could create an electrical hazard which could result in death or serious injury to pool users or others due to electrical shock and may also cause damage to property.
 <b>CAUTION</b>	<b>DO NOT</b> switch the pool cleaner to "ON" if it is not immersed in the water. Operating the cleaner out of the water may cause severe damage and will result in loss of warranty.  Always remember to turn the power supply "OFF" and unplug it from the power outlet before removing the cleaner from the pool.



***READ THESE IMPORTANT OPERATING  
TIPS BEFORE USING YOUR UNIT!***

---

Dear Hayward Owner:

Thank you for choosing Hayward. In order to achieve optimal performance, please read and follow these steps:

1. Allow the cleaner the first 10 minutes of each use to calculate pool size and configuration. The normal programmed cycle is not designed to begin until after this period.
2. Cleaner filter cartridges should be thoroughly cleaned after each use or as often as needed to ensure cleaner's optimal performance.
3. Before using your cleaner and especially when opening the pool for the first time remove larger items from the pool that may diminish the cleaner's performance. Clean filter frequently when pool is excessively dirty.
4. For the first use, run cleaner for the full cycle (2 hours) to ensure a clean pool and give yourself a full understanding of the cleaner's capabilities. Subsequent cleanings may take less than a full cycle.
5. Cleaner may periodically go to the wall but not necessarily climb to the vertical position. This is a normal part of the programmed cycle.
6. Cleaner may stop in the middle of the pool and reverse during cleaning cycle. This is a normal part of the programmed cycle.
7. **DO NOT** start cleaner out of the water. Power button should only be switched to **"On"** position when unit is submerged. The unit will automatically shut off, but it is best to put power switch in **"OFF"** position when unit completes cleaning.
8. Plug in only to a protected 230 V  $\sim$  outlet that is close and protected from short-circuits. Fit a 30 mA differential protection device to protect people from electric shock caused by a possible break in the electrical insulation.
9. Place the cleaner power supply so that it is at a minimum distance of 3.5 meters from the pool edge. The length of the standard cleaner cable is 15.24 meters.

## GENERAL INFORMATION.

Congratulations on your purchase of a microprocessor controlled, fully automatic pool cleaner. **Hayward** represents the highest standard in design, performance, and quality. This manual contains important information regarding the operation and maintenance of your cleaner.

# PLEASE READ AND FOLLOW ALL INSTRUCTIONS CAREFULLY BEFORE PUTTING YOUR CLEANER INTO USE.

Deterioration, discoloration or brittleness of any pool finish can be caused over time separately by, or in combination with, age, incorrect pool water chemistry, improper installation, and other factors. Customer hereby disclaims any and all claims, and releases Manufacturer from any and all claims for damages to any pool plaster or vinyl liner in Customer's pool by reason of the use and/or operation of the Cleaner. Under no circumstances shall the Manufacturer be liable for any loss or damage, whether direct, consequential or incidental, arising out of the use or inability to use the cleaner in Customer's pool.

### **Warning:**

This appliance is not intended for use by persons (including children) with reduced physical, sensory or mental capabilities, or lack of experience and knowledge, unless they have been given supervision or instruction concerning use of the appliance by a person responsible for their safety.

It is mandatory to allow a safety distance between the power supply and the pool as required by the current installation standard (3.5 m minimum).

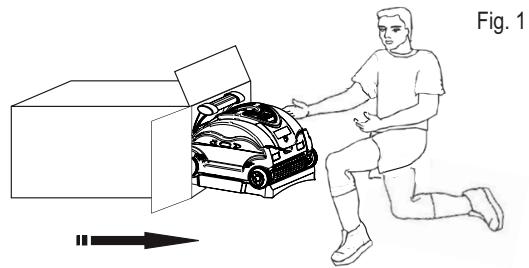
## FEATURES

- The cleaner independently scrubs, vacuums, and filters your pool.
- No installation, no attachments. Just drop it in and turn it on. It is completely automatic.
- Filter cleaning is much easier with the top-access filter cartridge element.
- Adaptive Seek Control Logic (ASCL®) Microprocessor control optimizes cleaning routine for each individual pool size and shape.
- Electronic Self-Diagnostics and Overload Protection.
- Simple Direct Drive design w/non-corrosive bearings for high reliability.

## GENERAL OPERATING INSTRUCTIONS.

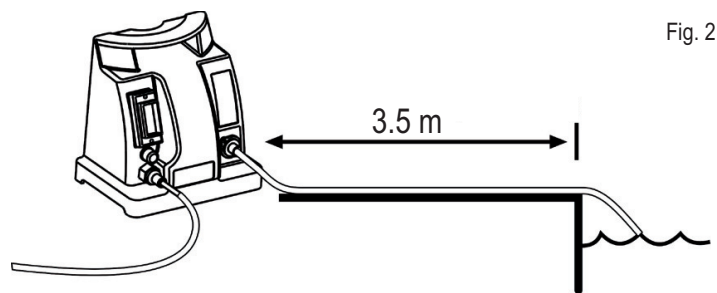
Take a moment to get familiar with the cleaner using the figure 3. Throughout this manual reference to this figure is made when referring to different components of the cleaner.

Remove the cleaner by placing the carton down and removing it from the box as shown. The cleaner and the Power Supply is premounted to the cart. See the figure 4 for Caddy Cart.



1. Select the nearest 230 V  $\sim$  outlet that is close and protected from short-circuits. Fit a 30 mA differential protection device to protect people from electric shock caused by a possible break in the electrical insulation.

2. Place the power supply so that it is at a minimum distance of **3.5** meters from the pool edge. The length of the standard cable is **15.24** meters.



3. Connect the floating cable to the power supply. Use only the original Power Supply manufactured by **Hayward**.

4. Place the cleaner in the pool. It will slowly sink to the bottom of the pool as the air inside is released.

5. Connect the power supply to the protected outlet and switch it on. The cleaner will perform a self-diagnostics routine for several minutes before starting the cleaning cycle.

Caution: **DO NOT** switch power supply "**ON**" when the cleaner is out of water. This may result in damage to the pump and drive motor seals, which will **VOID** the warranty.

6. The cleaner will automatically shut off after a cleaning cycle of 2 hours. If your pool is cleaned in less time than 2 hours, you may shut the cleaner off manually by switching the power supply to the off position.

**Should a second cleaning cycle be required, switch OFF the power supply for 10 seconds and restart.**

7. After the pool has been cleaned, switch OFF the power supply before removing the cleaner from the pool.

8. Remove the cleaner from the water at the shallow end of the pool by pulling the cable until the cleaner reaches the surface.

**Then lift it out of the water using the handle, NOT the cable.**

9. If the supply cord is damaged, it must be replaced by the manufacturer, its service agent or similarly qualified persons in order to avoid a hazard.

10. All electrical connections must be done by a qualified electrician according to local electrical standard (see p16).

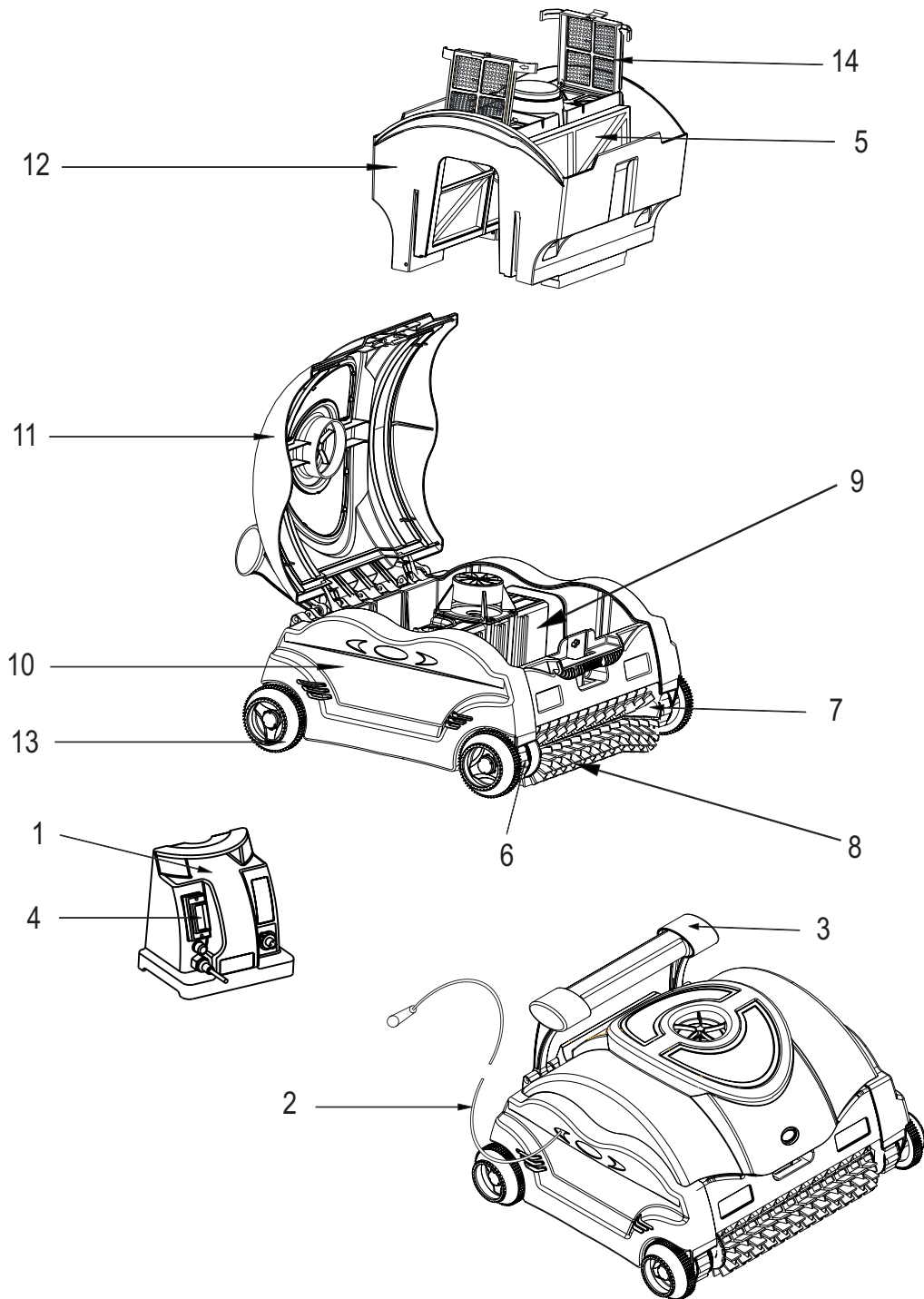
**Caution:** When pulling the cable, reel it in hand-over-hand - do **NOT** reel it around your arm.

**DO NOT ENTER THE SWIMMING POOL WHEN THE CLEANER IS OPERATING.**

Optimum operating water temperature range for the cleaner is **10°C - 35°C**.

Remove the cleaner from the pool after each use. Keeping the cleaner permanently in the pool may result in additional service requirements.

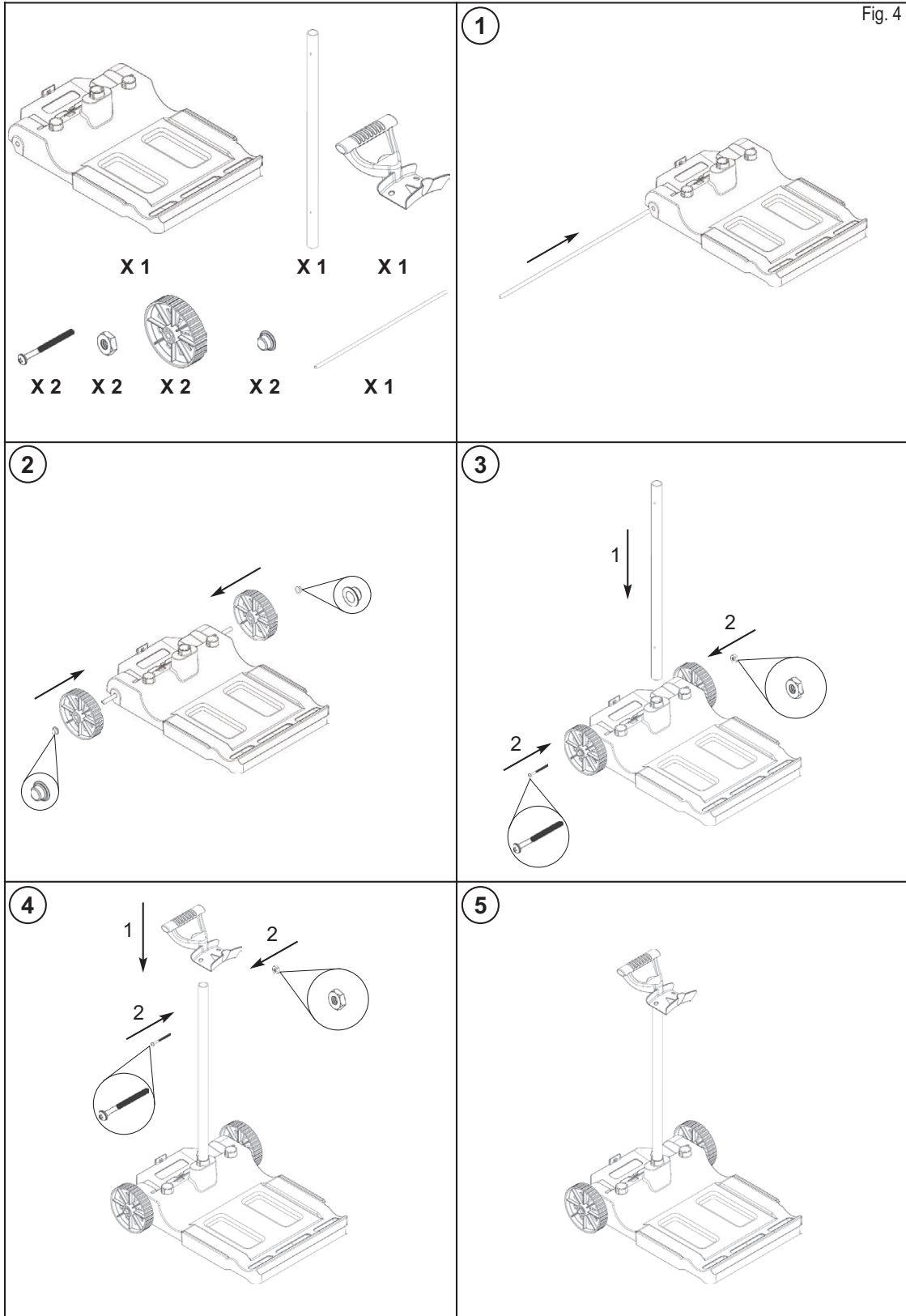
Fig. 3



- |                     |                      |
|---------------------|----------------------|
| 1. Power Supply     | 8. Wheel Brush       |
| 2. Floating Cable   | 9. Sealed Motor Unit |
| 3. Handle           | 10. Side Panel       |
| 4. On/Off Switch    | 11. Dome Assy        |
| 5. Filter Cartridge | 12. Filter Bucket    |
| 6. Drive Track      | 13. Wheel            |
| 7. Wheel Tube       | 14. Filter Door      |

## Caddy Cart Instructions - See Diagram

- Caddy Cart will come partially assembled in the carton less the handle & tube.
- Insert the screw into the tube at the base of the caddy cart & secure with bolt (3)
- Insert the handle into the top of the tube & insert the screw securing it with the bolt (4)

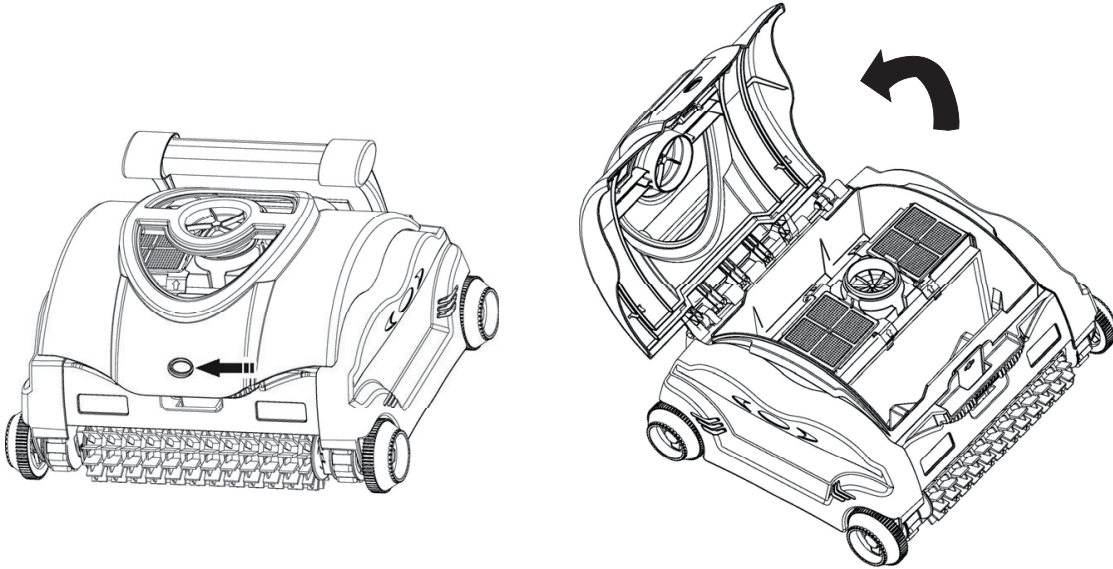




## Maintenance

Clean the filter cartridge after each use:

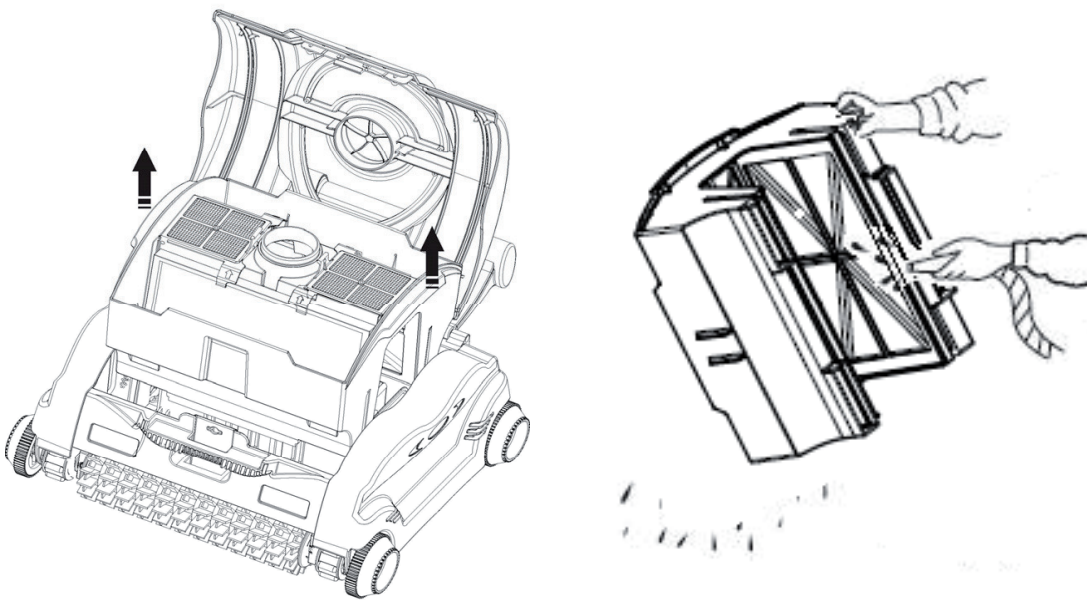
Open the cleaner by pressing the lid button and lifting up the dome cover.



Remove the filter bucket assembly by lifting it up out of the cleaner with both hands from each side.

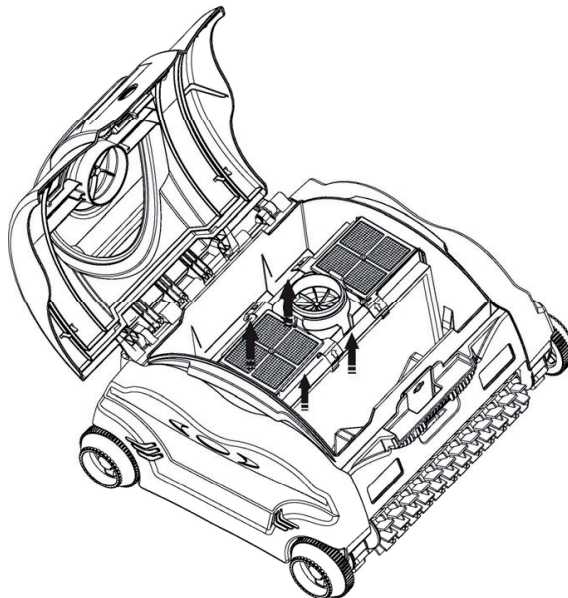
Flip the bucket assembly over to remove the debris and then rinse with a garden hose to remove small particles.

Filter cartridges do not need to be removed to clean.

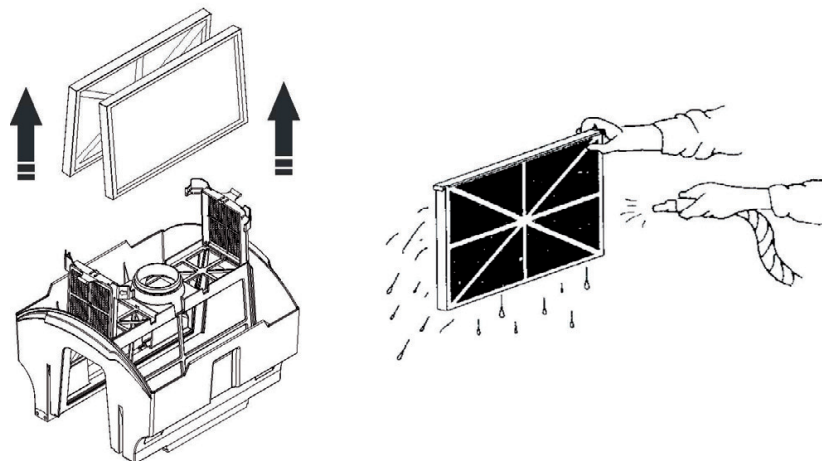


To Remove the filter cartridges:

Unsnap and lift up both filter door latches

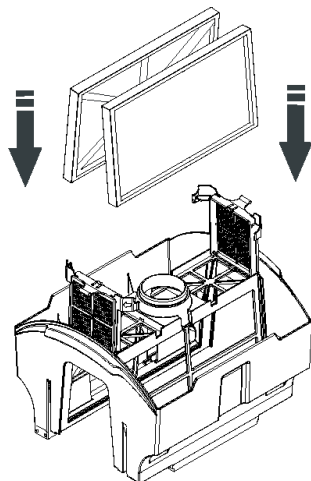


Pull out the filter cartridges. Using a garden hose with a spray nozzle, wash the filter elements to remove debris. Hold the filter elements as shown to allow the debris to fall out.



Wash the entire filter bucket assembly. (Previously shown).

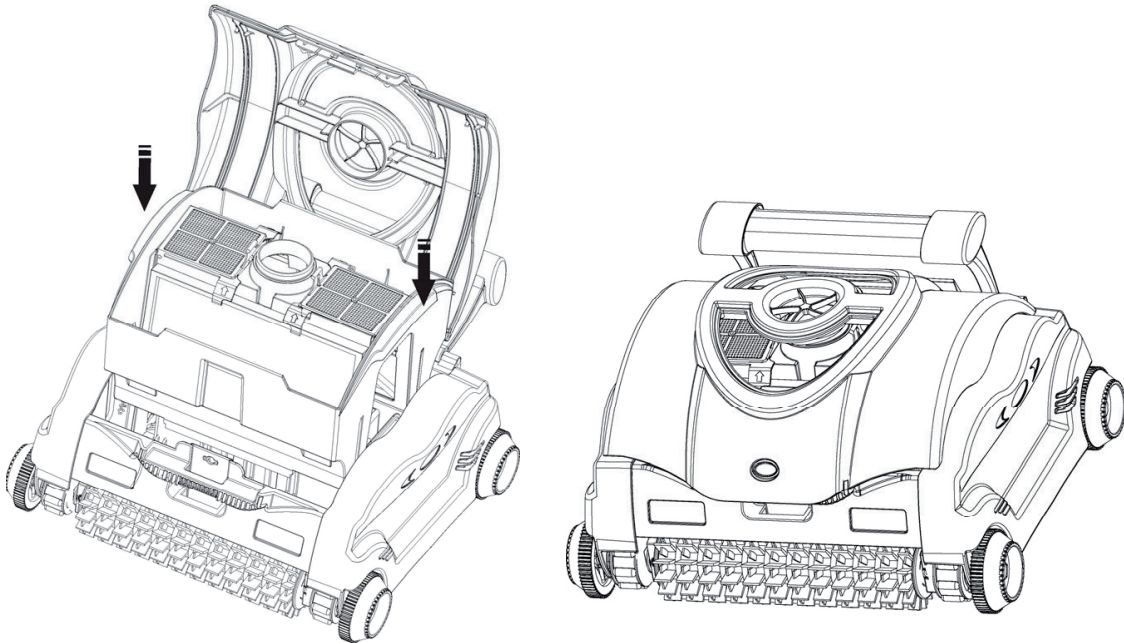
Place the filter cartridges back into the filter bucket assembly with the center frame reinforcements facing inward



Snap the filter door latches into place.

Return the filter bucket assembly into the cleaner using the diagram shown to determine the front and back.

Close the dome and press the lid button to snap dome into place.



- **Filter cleaning solution can be used to remove excessive dirt and/or sand.**

Remember: The cleaner your filter is, the more cleaning will be effective.

### Periodic Cleaning of Moving Parts

**⚠ WARNING:** Disconnect the power supply from electrical outlet before cleaning moving parts.

- Inspect the venturi to ensure that no debris or hair has clogged the impeller.
- The impeller can be cleaned by spraying it with a garden hose

Remove any debris that has accumulated between the tracks and wheels

### Storage

When out of the water, store the cleaner in a dry, shady location at temperatures between 4°C - 46°C

### Cable Care

With continued use, the cable may become coiled (like a telephone cord). To correct this, periodically stretching the cord out in the sun should remove any cord twists.

**IMPORTANT:** The cable should be checked periodically for any external damage.

## Important Tips

- Cleaning the filter cartridge after every use maximizes the unit's performance.
- Replace worn brushes.
- To avoid clogging the cleaner's filter elements, be sure all chemical powders are fully dissolved before operating the cleaner.
- In a pool with usually high calcium content, more frequent cleaning of the filter is recommended.
- Save the original carton for extended storage or shipping requirements should your cleaner require dealer service.
- **The sealed Motor Unit and the Power Supply contain no user-serviceable parts. Opening them will automatically VOID your warranty.**
- Remove items such as thermometer, toys and the like from the pool before operating the unit. Such items can jam the cleaner and cause damage to the unit and/or your pool.

## Troubleshooting

If the cleaner fails to pick up fine or heavy debris:

- Clean the filter. It may be clogged. A filter cleaning solution can be used to remove excessive dirt and/or sand

If the cleaner starts working momentarily but then stops working:

- Impeller may be clogged or jammed with debris. Check and clean if necessary following the instructions in the maintenance section.
- Brush roller or drive tracks are stuck. Check for debris and clean if necessary.
- Cleaner performs by both timing and a pool wall detection sensor, which ever comes first.
- There are 3 intake ports located at bottom of filter bucket and near the brush roller. Intake ports located next to the roller help collect debris such as leaves and sand better than single intake.
- Fine debris such as sand may need a smaller intake port for stronger suction. The cleaner can create a stronger suction with a "high velocity flapper" that can be installed at intake port.
- Cleaner may get stuck if a high main drain is installed in the pool. Cleaner may remain lodged on the drain for a short period of time, but will eventually free it's self by virtue of the cleaner's embedded program.

## Troubleshooting (continued)

- The filter bucket is designed to be cleaned with the filters installed for normal clean up. For deep cleaning, the user can remove each filter cartridge and clean separately.
- During the normal operating cycle of the cleaner, the handle side of the unit will rise from the pool bottom to allow the unit to clear obstacles, such as elevated main drains and stair steps.
- It is normal to see the cleaner ride the wall for a short period of time; this allows the unit to change position in the pool to assure full bottom coverage.
- Perception of cleaner performance: Confusion may exist over the perception of how the cleaner operates at different times during each cycle. It is important to judge the performance of the cleaner by observing improved pool cleanliness after the cleaner has run a complete cleaning cycle.
- If a cleaner has poor coverage of the pool in one cycle or only covers a small area, check the filter and clean if necessary and make sure the unit is not getting caught on drains, floor cleaning heads or toys. The user may try starting the cleaner in different locations to find the optimum cleaning location.
- If debris falls from cleaner while removing from pool, it may be caused by filter overload, increase frequency of filter cleaning. Assure that there is no large debris blocking any of the three intakes. Large debris must be removed from the pool before using machine. If drain flaps are out of place or stuck by sand or leaves in the open position, the flaps can be snapped back into place, after cleaning the area.
- Avoid dropping or throwing machine into pool. Place cleaner away from the pool wall but do not throw the cleaner in the pool.
- If the flotation cord gets twisted which can be caused by the cleaner getting stuck on large objects such as rocks, toys or main drains, it can be straightened by laying the flotation cord at full length (if possible) in the sun; heat from the sun will help reduce the twisting.
- If a high level of debris is visible through the dome windows, remove cleaner quickly from the water to reduce the chance of the debris escaping the filter bucket and re-entering the pool.

## Specifications

Weight (w/o cable)	9.75 Kg		
Cable Length, Type	15.24 m		
Materials	High Impact ABS - Metal Parts of Non-Ferrous Stainless Steel		
Motor Unit	Pump	Drive	PCB
Speed (rpm)	2 700	55	-
Voltage	24 V $\text{---}$	22 V $\text{---}$	5 V $\text{---}$
Current (amp)	2.62 A	0.63 A	-
Waterproof Sealing	Double Redundant Radial Shaft Seals & O-ring		
Motor Housing	Sealed, Watertight, High Impact Polypropylene		
Overload Protection	Electronic Overload Monitoring with auto-shutoff		
Filter			
Type	Removable, Re-Usable, Pleated Element Cartridge		
Media	Pleated Cellulose/Polyester Blend		
Cleaning Routine Control			
Type	Adaptive Seek Control Logic (ASCL <sup>®</sup> ) Microprocessor		
Cleaning Cycle	2 hours		
Drive System	Direct Drive w/Polyurethane Drive Track & Acetal/Stainless Steel Bearing System		
Power Supply			
Input Primary Voltage	230 V $\sim$		
Output Secondary Voltage	24 V $\text{---}$		
Rated Output Current	4 A		
Weight	3.8 Kg		
Shipping			
	Length	Width	Height
Carton Dimensions (mm)	620	440	752
Shipping Weight with Caddy	22.3 Kg		



# IMPORTANT SAFETY INSTRUCTIONS

This robotic swimming pool cleaner has been manufactured with the highest degree of care and concern for safety. We suggest the following safety precautions become part of your pool safety regulations:

## SAVE THESE INSTRUCTIONS

1. ALWAYS PUT THE MACHINE INTO THE WATER BEFORE CONNECTING IT TO THE ELECTRICAL OUTLET.
2. IT IS IMPORTANT FOR SWIMMERS' SAFETY TO REMOVE THE UNIT IMMEDIATELY FOLLOWING USE. THIS CAN ALSO IMPROVE THE OPERATING LIFE OF YOUR CLEANER.
3. BE CERTAIN THE MACHINE IS ONLY PLUGGED INTO A PROTECTED 230 V~ OUTLET THAT IS PROTECTED FROM SHORT-CIRCUITS. FIT A 30 MA DIFFERENTIAL PROTECTION DEVICE TO PROTECT PEOPLE FROM ELECTRIC SHOCK CAUSED BY A POSSIBLE BREAK IN THE ELECTRICAL INSULATION.
4. DO NOT HANDLE MACHINE WHILE IT IS PLUGGED INTO THE ELECTRICAL OUTLET.
5. DO NOT USE AN EXTENSION CORD. THIS COULD CREATE A SAFETY HAZARD AND/OR DAMAGE YOUR CLEANER.
6. **ALWAYS STAY OUT OF THE POOL WHILE CLEANER IS IN OPERATION.**
7. NEVER ALLOW PLUG TO ENTER THE POOL.
8. DO NOT OPERATE THE MACHINE OUT OF WATER. THIS WILL DAMAGE THE MOTOR SEAL AND VOID THE WARRANTY.
9. DO NOT DRAG THE MACHINE OUT OF THE POOL AGAINST THE SIDE WALL. THIS COULD DAMAGE UNIT AND/OR YOUR POOL WALL.
10. **DO NOT BURY CORD. REPLACE DAMAGED CORDS.**
11. **WARNING - TO REDUCE THE RISK OF INJURY, DO NOT PERMIT CHILDREN TO USE THIS PRODUCT UNLESS THEY ARE CLOSELY SUPERVISED AT ALL TIMES.**
12. **IF THE SUPPLY CORD IS DAMAGED, IT MUST BE REPLACING BY THE MANUFACTURER, ITS SERVICE AGENT OR SIMILARLY QUALIFIED PERSONS IN ORDER TO AVOID A HAZARD.**

While the cleaner has been made to operate as safely as possible, we suggest you exercise reasonable care in the handling of the vacuum and inspect the electrical cord frequently for damage or wear, as with any other electrical appliance. After use, remove the unit and rinse with fresh water and remove any twists that may be present in the cord.

## Limited Warranty

All HAYWARD products are covered for manufacturing defects or material defects for a warranty period of 2 years as of date of purchases. Any warranty claim should be accompanied by evidence of purchase, indicating date of purchase. We would therefore advise you to keep your invoice.

The HAYWARD warranty is limited to repair or replacement, as chosen by HAYWARD, of the faulty products, provided that they have been subjected to normal use, in compliance with the guidelines given in their user guides, provided that the products have not been altered in any way, and provided that they have been used exclusively with HAYWARD parts and components. The warranty does not cover damage due to frost and to chemicals. Any other costs (transport, labour, etc.) are excluded from the warranty.

HAYWARD may not be held liable for any direct or indirect damage resulting from incorrect installation, incorrect connection, or incorrect operation of a product.

In order to claim on a warranty and in order to request repair or replacement of an article, please ask your dealer.

No equipment returned to our factory will be accepted without our prior written approval.

**Wearing parts are not covered by the warranty.**

### EXCEPTIONS AND EXCLUSIONS FROM WARRANTY

The cleaner must be used with electrical requirements as indicated on the Power Supply. Otherwise damage, defects, malfunctions or other failures of the cleaner arising from use on electrical supply not as indicated are excepted and excluded from this warranty.

Defects, malfunctions, failure or damage of the cleaner caused by improper, unreasonable, or negligent use or abuse by the consumer, are excluded from this warranty.

If any repair is made on your cleaner by anyone other than authorized personnel (designated to perform such work) without first having obtained factory instructions, HAYWARD, at its sole option, may determine that this warranty will not apply and that reimbursement for such repair will not be made because of failure to comply with such factory specified instructions.

Filter cartridges are not covered by this warranty and will be replaced only with your prior approval of the charges.

#### Electric standard/country

F	NF EN C 15-100	GB	BS7671:1992
D	DIN VDE 0100-702	EW	EVHS-HD 384-7-702
A	ÖVE 8001-4-702	H	MSZ 2364-702:1994 / MSZ 10-533 1/1990
E	UNE 20460-7-702 1993, REBT ITC-BT-31 2002	M	MSA HD 384-7-702.S2
IRL	Wiring Rules + IS HD 384-7-702	PL	PN-IEC 60364-7-702:1999
I	CEI 64-8/7	CZ	CSN 33 2000 7-702
LUX	384-7.702 S2	SK	STN 33 2000-7-702
NL	NEN 1010-7-702	SLO	SIST HD 384-7-702.S2
P	RSIUEE	TR	TS IEC 60364-7-702





# HAYWARD®



## ANWENDER - HANDBUCH

CE

