



Add an all-in-one 360° adventure ride and a beautiful fountain feature to your backyard.

- 7'4" in height (6'5 1/2" to seat)
- 360° corkscrew flume
- Accommodates sliders up to 250 lbs/113kg
- Sturdy rotomolded construction – for strength and durability
- Enclosed ladder and molded handrail design for maximum safety
- Designed for quick and easy assembly
- 20 gpm max. water delivery system can be plumbed through the pool's return line or connected to a garden hose
- Simple deck mounted installation
- Intended for in-ground residential swimming pools only

| Model No.     | Description   | Shipping |        |       |        |
|---------------|---------------|----------|--------|-------|--------|
|               |               | Weight   | Length | Width | Height |
| 640-209-58124 | Gray Granite* | 350 lbs  | 92"    | 65"   | 48"    |
| 640-209-58123 | Sandstone*    | 159kg    | 234cm  | 165cm | 122cm  |

\* Gray Granite and Sandstone slides are not an exact match with Gray Granite or Sandstone diving boards & stands due to differences in material. Please consult your sales representative for more details.

### Slide Color



SANDSTONE\*

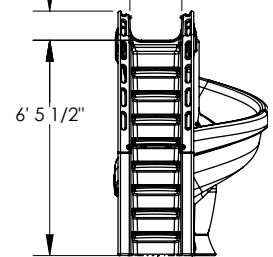
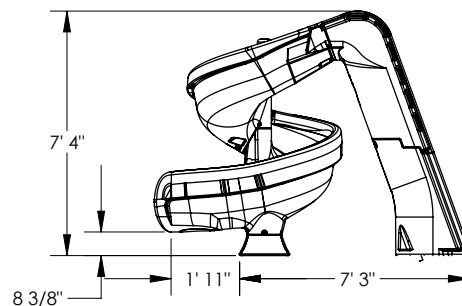
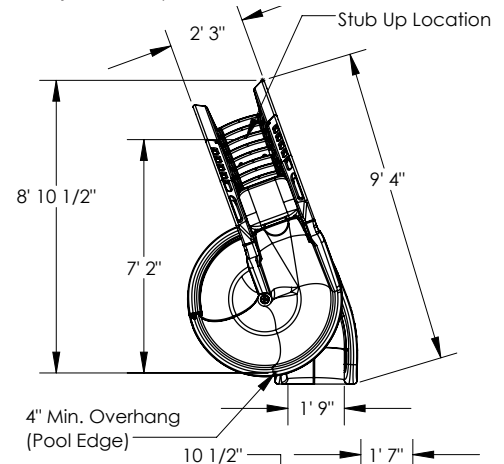
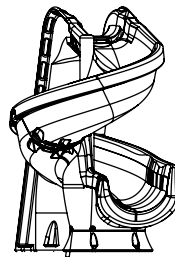


GRAY GRANITE\*

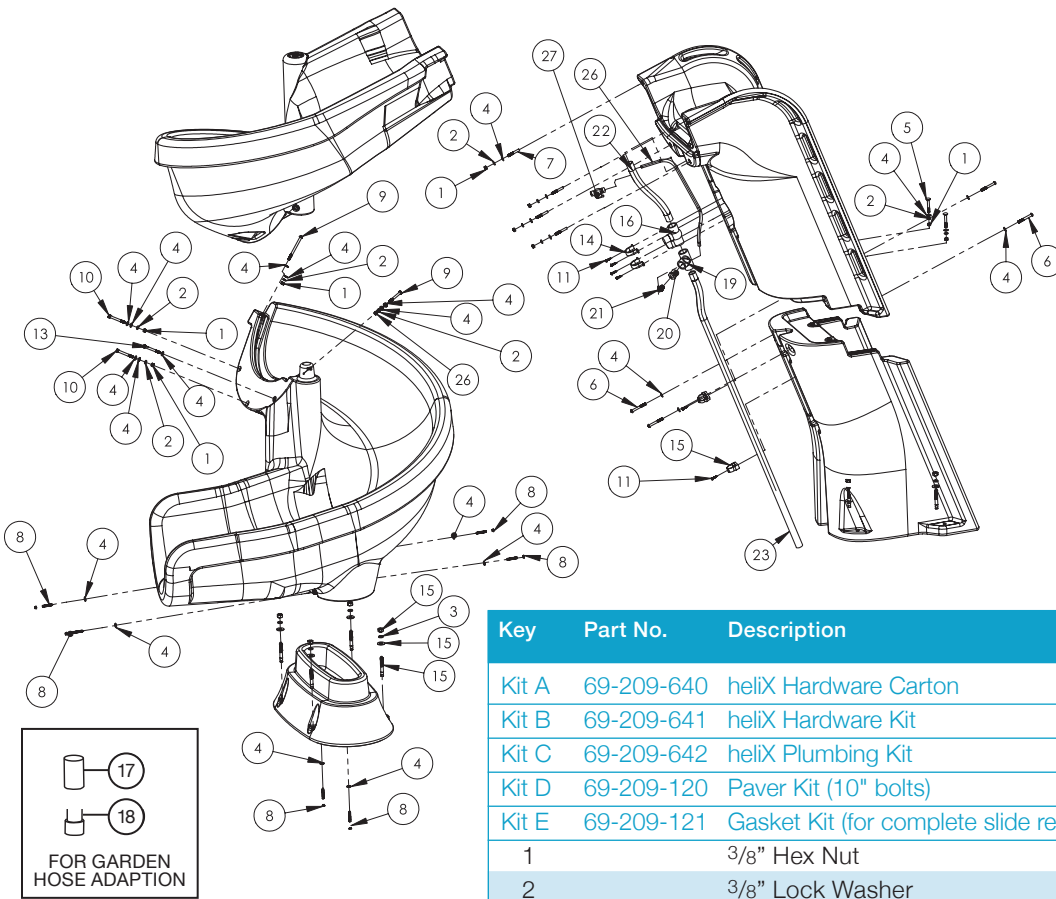
Due to printing technology, actual color may differ.

Adult supervision required at all times when children are using this slide.

### Flume Details



All S.R.Smith, LLC swimming pool slides fully comply with Consumer Products Safety Commission (CPSC) mandatory safety Standard for Swimming Pool Slides (16 CFR 1207) and are certified by independent third party testing labs. The installer or end-user is responsible for complying with local building codes for the location, installation, construction or assembly of these slides. S.R.Smith, LLC makes no representations that the location, installation, construction or assembly of its slides meet local building codes.



| Key   | Part No.   | Description                                 | Kit A | Kit B | Kit C |
|-------|------------|---|-------|-------|-------|
| Kit A | 69-209-640 | heliX Hardware Carton                       | •     |       |       |
| Kit B | 69-209-641 | heliX Hardware Kit                          |       | •     |       |
| Kit C | 69-209-642 | heliX Plumbing Kit                          |       |       | •     |
| Kit D | 69-209-120 | Paver Kit (10" bolts)                       |       |       |       |
| Kit E | 69-209-121 | Gasket Kit (for complete slide re-gasket)   |       |       |       |
| 1     |            | 3/8" Hex Nut                                | •     | •     |       |
| 2     |            | 3/8" Lock Washer                            | •     | •     |       |
| 3     |            | 1/2" Lock Washer                            | •     | •     |       |
| 4     |            | 3/8" Flat Washer                            | •     | •     |       |
| 5     |            | 3/8" x 2 3/4" Carriage Bolt                 | •     | •     |       |
| 6     |            | 3/8" x 3" Button Head Cap Screw             | •     | •     |       |
| 7     |            | 3/8" x 2 1/2" Stud                          | •     | •     |       |
| 8     |            | 3/8" x 3 1/2" Lag Screw                     | •     | •     |       |
| 9     |            | 3/8" x 5" Button Head Cap Screw             | •     | •     |       |
| 10    |            | 3/8" x 3 1/2" Hex Head Cap Screw            | •     | •     |       |
| 11    |            | #14 x 1" Pan Head Tapping Screw             | •     | •     |       |
| 12    |            | 1/2" x 5" Anchor Stud                       | •     | •     |       |
| 13    |            | 3/8"-16 x 2 Hex Head Tap Bolt               | •     | •     |       |
| 14    |            | 1 1/2" PVC Pipe Strap                       | •     |       | •     |
| 15    |            | 1" Pipe Clamp                               | •     |       | •     |
| 16    |            | 1" Ball Valve                               | •     |       | •     |
| 17    |            | 1" Coupling                                 | •     |       | •     |
| 18    |            | Garden Hose Adapter                         | •     |       | •     |
| 19    |            | 1" Female Tee Fitting                       | •     |       | •     |
| 20    |            | 1" x 1/2" Reducer                           | •     |       | •     |
| 21    |            | 3/8" to 1/2" barbed 90° elbow fitting       | •     |       | •     |
| 22    | 05-786-1   | 1" PVC Flex Hose, 16" long                  |       |       |       |
| 23    | 05-786-2   | 1" PVC Flex Hose, 64" long                  |       |       |       |
| 24    |            | 1" PVC Pipe x 2" Long                       | •     |       | •     |
| 25    |            | 3/8" Acorn Nut                              | •     | •     |       |
| 26    | 05-040-2   | 1/2" OD X 3/8" ID Polyethylene Tubing (23") |       |       |       |
| 27    | 05-642     | Valve for 1/2" OD Tubing                    |       |       |       |
|       | 8-545A     | Ladder/Runway Gasket                        |       |       |       |
|       | 8-532      | Runway Gasket (2.7' required. Sold by foot) | •     |       |       |