



7310

8STREME



ENGLISH

ver 19-01



8STREME

7310

Congratulations on the purchase of your new 8STREME 7310 pool cleaner. It is a powerful autonomous robot delivered ready to use. Ideal for pools of all sizes and in all forms. This robot comes with an easy accessible debris basket along with floating rotary coupling which limits cable entanglement.

Please check the package to make sure that all parts are ready to be installed.

We recommend that you check the connections of the cables from the cleaner to the floating rotary coupling plug (chapter 5). If any parts are missing or damaged, please contact 8STREME directly on [www.8streme.eu](http://www.8streme.eu)

## Table of contents

01 Product features	.....	p04.
02 Warnings	.....	p04.
03 Package contents	.....	p04.
04 Start-up	.....	p05.
05 Cables connection	.....	p07.
06 Cleaning the filter basket	.....	p08.
07 Cleaning the impeller	.....	p09.
08 Walls climbing	.....	p09.
09 Troubleshooting	.....	p10.
10 Spare parts list	.....	p13.
11 Spare parts drawing	.....	p15.

---

## 01 Product features

Maximum Depth: 2,5m  
Maximum size of the pool: 10m x 5m  
Input current: 100-130V AC / 200-230V AC  
Output current: <24VDC

---

## 02 !! Warnings !!

- 2.1 Please refer to the rules of your country regarding swimming pool safety.
- 2.2 Place the power transformer at least 3.5 m from the pool.
- 2.3 Make sure that your electrical outlets are properly grounded.
- 2.4 Please make sure that your electrical system is well protected by a 30mA ground fault circuit interrupter (GFCI)
- 2.5 Keep the power transformer away from moisture.
- 2.6 Do not use the robot out of the water.
- 2.7 Make sure that the transformer is disconnected before performing maintenance on the robot.
- 2.8 Don't use any damaged power cable or cord.
- 2.9 Do not use the robot if people are in the pool.
- 2.10 Do not use the swimming pool when the cleaner is in the pool.
- 2.11 Remove the robotic cleaner from the swimming pool when not in use
- 2.12 The use of the robot should be in a pool whose temperature is between 5 and 36°C.
- 2.13 Do not use the robot if you have a counter-current swimming device running.

---

## 03 Package contents

- 1. 7310 Robotic pool cleaner with floating cord and rotary coupling
- 2. Power transformer control box
- 3. Sample of fine filter



## QUICK FACTS

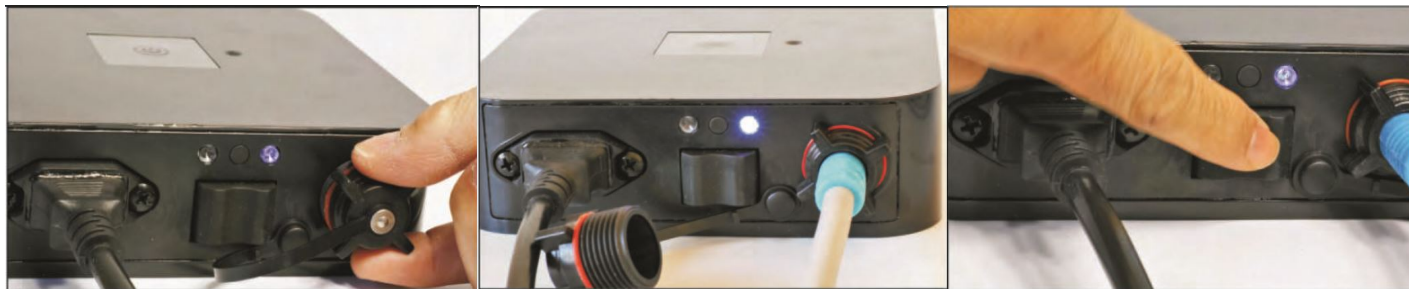
- Our robots are designed to facilitate the maintenance of your pool. However, they are not intended to clean a pool full of algae and leaves (ex: end of winter period). In this case you must: use the leaf skimmer, clean the filter and put back on the filter and the pump.
- A tile coating leads to faster wear of the brushes and belts. Please check these regularly.



- To remove the cleaner from your pool, lift the cable slowly and gently until you can grab it by the handle. Use the handle to fully pull out the cleaner
- In order to access the filter basket, place hands as shown in picture. Push with thumbs to unlock lid.

## 04 Start-up

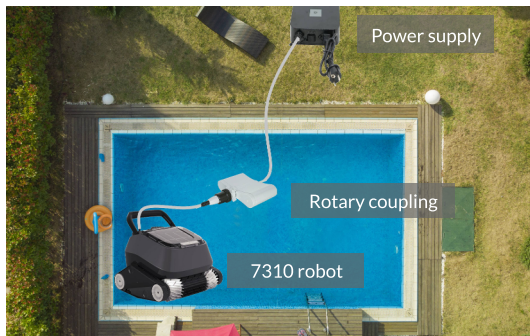
*\* YOUR CLEANER ROBOT COMES PRE-ASSEMBLED IN THE BOX.*



4.1 Unscrew the cap next to the switch.

Insert the end of the floating cable into the socket. Take note of the orientation of the plug and socket.

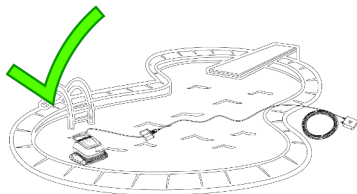
4.2 Screw the nut of the floating cable firmly. Press the switch on the housing of the transformer under blue light. This will activate the power source.



4.3 Place your power box to a midpoint between the two ends of your pool and at least 3.50 m from the edge of the pool.



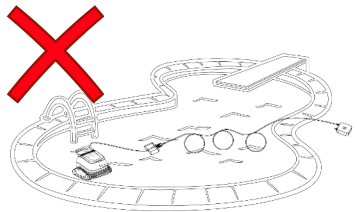
4.4 Place the robot in your pool and wait until it is completely submerged. If necessary, help it to sink manually.



4.5 For optimal performance, place your robot in the pool at the furthest possible location from the power source.

This is the appropriate length of the cable so that the robot can reach all of your pool.

Limit the length of cable in the pool to the bare minimum, and place the surplus outside the pool.



4.6 Connect the power supply to an electrical outlet nearby. A blue status light should turn on.

4.7 Press the power button located at the top of the box to activate your robot.

4.8 To turn off your robot, press the power button and hold for 3 seconds. Alternatively, you can also press the switch located on the side of the box, under blue light.

4.9 Do not remove your robot out of water immediately after the end of its cleaning cycle so as not to cause a temperature shock.

4.10 When the cleaner is no longer used for an extended period, screw on the protective cap on the power supply and store your robot indoors.

\* If red or blue lights blink, check the troubleshooting section



4.1 Unscrew the cap next to the switch.



4.2 Insert the end of the floating cable into the socket. Be careful with the direction of the plug.



4.3 Insert the end of the floating cable from the transformer into the black "POWER" socket. Be careful with the direction of the plug.



4.4 Slide the cap to contact the plug of the floating swivel union.



4.5 Tighten the black nut on the floating rotary coupling by hand.



4.6 Repeat the operation on the blue side marked "POOL ROBOT" with the cable from the robot.

## 06 Cleaning the filter basket



6.1 In order to access the filter basket, place hands as shown in picture. Push upward 5 cm with thumbs to unlock cover.



6.2 Use both hands to lift the basket with the handles on the sides of the basket



6.3 Open the lid of the basket by pulling the tab on the front of the basket and empty content.

6.4 Empty the debris inside the basket. Use a jet of water to rinse the faces inside and outside the basket filter panels. Also inspect and clean the inside and outside of the robot.



6.5 Once cleaned, replace the basket in the robot. If the basket is not properly aligned, it is not possible to close the cover of the cleaner.

6.6 Press down the handles to lock your basket



## 07 Cleaning the impeller

*Some debris can clog or be wrapped around the impeller of the pump. By force, these debris can hinder the proper functioning of the robot or even damage the engine.*

*Regular visual inspection is part of the normal maintenance of the robot.*



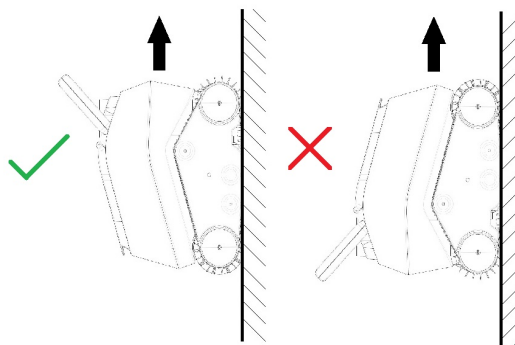
7.1. Use a flat screwdriver to remove the protective grille.

7.2 Clean the impeller.  
7.3 Replace the grill guard.

## 08 Walls Climbing

*In order to be efficient while cleaning the waterline, the robot is designed to climb up the waterline with the orientation that offers the most effective brushing.*

*It is therefore normal to see it climb to the waterline only by the side with the handle.*



## 09 TROUBLESHOOTING

PROBLEM	CAUSE(S)	SOLUTION(S)
<p>The robot floats on the surface.</p>	<ul style="list-style-type: none"> <li>- Immersion of the robot in the pool.</li> <li>- Use of the fine filter.</li> <li>- Water level in the pool.</li> </ul>	<ul style="list-style-type: none"> <li>- When you put the robot in the pool, let it sink and reach the floor before you turn it on.</li> <li>- If you use an optional fine filter, remove the filter from its plastic wrap, immerse the filter in the water so that it is already wet before you put it in the robot and let the robot settle on the floor before you turn it on.</li> <li>- If your pool water level is too high, the robot might turn around and take in the air if it touches the top seats, in this case to adjust the level of the pool.</li> </ul>
<p>The robot does not clean all areas of the pool.</p>	<ul style="list-style-type: none"> <li>- Not enough / too much cable floating in the pool.</li> </ul>	<ul style="list-style-type: none"> <li>- Make sure the length of floating cable introduced in the pool is just the required length.</li> <li>- Remove any excess cable length from the pool and leave this excess length outside the pool next to the power supply box.</li> <li>- Insert the robot at the center point of the pool. If your pool is oval or rectangular, this point is the middle of the length.</li> </ul>
<p>The robot does not recover debris during operation. Fine particles (dust or dirt, pollen ...) are ejected by the impeller.</p>	<ul style="list-style-type: none"> <li>- The robot does not receive enough power.</li> <li>- Basket clogged / full.</li> <li>- An object is stuck in the impeller or the grid located above the impeller.</li> <li>- Debris are too fine, the robot is made to pick up the particles more than 50 microns (with the fine filter inside the basket).</li> </ul>	<ul style="list-style-type: none"> <li>- Check the connection of the cables.</li> <li>- Clean the basket and filter panels. Clean the fine filter if you use this accessory.</li> <li>- Check if the basket is properly inserted. (See chapter Cleaning of the filter basket).</li> <li>- Check that there are no foreign objects in the impeller or blocked in the grid above the impeller</li> <li>- Check the attachment of the basket, press it if necessary to lock it.</li> <li>- Use a fine filter (check item number on the parts drawing 27, sku 71170 filters are sold by 2) on the other hand do not forget that it is the filtration of your swimming pool which ensures the cleaning of the particles of less than 50 microns.</li> </ul>

PROBLEM	CAUSE(S)	SOLUTION(S)
The robot moves in one direction	<ul style="list-style-type: none"> <li>- An object blocks the rollers, the wheels of the robot or interfering with the movement of the robot.</li> </ul>	<ul style="list-style-type: none"> <li>- Check that there are no foreign objects in the impeller located above the motor.</li> <li>- Check that there are no foreign object blocking the hydraulic circuit or the brushes and belts under the robot and sides.</li> </ul>
The robot does not move and the filtration pump does not work either. The robot doesn't work any longer.	<ul style="list-style-type: none"> <li>-The robot is not connected to a power source. - Power off</li> </ul>	<ul style="list-style-type: none"> <li>- Check that the power source is active by plugging another device into the power outlet.</li> <li>- Check that the power supply is turned on.</li> <li>- Check all connections of the robot to the power source.</li> </ul>
The pump runs but the robot does not move. The robot turns on but stays on the spot.	<ul style="list-style-type: none"> <li>- No / not enough power is transmitted to the robot</li> <li>- An object blocks the rollers, the belts, the wheels of the robot or the path.</li> <li>- Possibility of motor problem</li> </ul>	<ul style="list-style-type: none"> <li>- Unplug the power and take out the robot in the water. Open the cover of the basket and remove the basket.</li> <li>- Check that there are no foreign objects in the impeller located above the motor.</li> <li>- Check that there are no foreign object blocking the hydraulic circuit or the brushes and belts under the robot and sides.</li> <li>- Contact the After-sales Service</li> </ul>
Robot does not climb walls	<ul style="list-style-type: none"> <li>- The robot is too heavy</li> <li>- The flow is not enough</li> <li>- The walls are too slippery</li> <li>- The handle of the robot is poorly directed</li> </ul>	<ul style="list-style-type: none"> <li>- Check that the collection of debris basket isn't full</li> <li>- Check and clean if need the impeller of the pump or the grid at the top of the impeller (propeller on top of the robot toward the handle)</li> <li>- Presence of algae on the walls or fatty deposits. Remove algae using the chemical treatment of water and manual brush to remove these fatty deposits.</li> <li>- Check that the handle of the robot is directed to the rear. The cable should be above the handle.</li> </ul>
The robot goes round in circles	<ul style="list-style-type: none"> <li>- A belt is damaged</li> <li>- one of the 4 side wheels is damaged or unscrewed</li> </ul>	<ul style="list-style-type: none"> <li>- Check the condition of the drive belts. If necessary, replace the faulty belt.</li> <li>- Check the wheels bolted to the ends of the rollers. These wheels fit on the roll and then screw.</li> </ul>

<i>PROBLEM</i>	<i>CAUSE(S)</i>	<i>SOLUTION(S)</i>
The robot stops after a few minutes	<ul style="list-style-type: none"> <li>- Connection of the floating cable</li> <li>- Possibility of fault of the floating cable</li> <li>- Possibility of motor leakage</li> </ul>	<ul style="list-style-type: none"> <li>- Check the connection of the floating cable. Disconnect and reconnect as needed.</li> <li>- Check the status of the connectors at the ends of your cables (damaged, rusted, etc.)</li> </ul>
The robot moves slower than before	<ul style="list-style-type: none"> <li>- The robot is too heavy</li> <li>- The flow is not sufficient</li> <li>- Cables connections</li> </ul>	<ul style="list-style-type: none"> <li>- Check that the dirt collecting basket is not full</li> <li>- Check and clean if necessary the pump impeller or the grid above the impeller (propeller at the top of the robot towards the handle)</li> <li>- Check all the cable connections (see chapters on electrical connections).</li> </ul>
The lights flash one after the other	<ul style="list-style-type: none"> <li>- The electrical current does not reach the robot</li> </ul>	<ul style="list-style-type: none"> <li>- Check all the electrical connections (see chapters on the electrical connections). If moisture is present on the fittings, let dry before connecting the fittings again.</li> <li>- Turn on the switch of the power supply</li> </ul>
Red light flashes.	<ul style="list-style-type: none"> <li>- Bad connection</li> <li>- Possibility of motor problem</li> </ul>	<ul style="list-style-type: none"> <li>- Check all the connections of the cables</li> <li>- Contact the After-sales Service</li> </ul>
The red and blue LEDs flash simultaneously	<ul style="list-style-type: none"> <li>- The electrical connection is made to the robot, but the diagnostic system detects a problem.</li> </ul>	<ul style="list-style-type: none"> <li>- Check if the connections are correct and tight. If the problem persists, please contact your dealer or our Customer Service at <a href="mailto:service@8streme.eu">service@8streme.eu</a></li> </ul>
No led lit on the transformer	<ul style="list-style-type: none"> <li>- No current is coming</li> </ul>	<ul style="list-style-type: none"> <li>- Check your electrical outlet</li> <li>- Check the connections</li> <li>- contact our Customer Service</li> </ul>
The robot leaves traces on the floor or on the walls	<ul style="list-style-type: none"> <li>- State of the brushes and/or transmission belts</li> </ul>	<ul style="list-style-type: none"> <li>- These brushes and belts are wear-and-tear parts, Please check them and change them if necessary</li> </ul>

Please contact [www.8streme.eu](http://www.8streme.eu) if you have any other questions.

## 10 Spare parts list

DRAWING : ITEM NUMBER	SKU	PART DESCRIPTION
1	71000	Top Shell. Dark grey
2	71010	Debris basket (parts 16, and 17 included)
3	71020	Cover. smoke
4	71040	Impeller
5	71050	Pump motor block
6	71070	Pump cover lid. Black
7	71080	Handle
8	71090	Geared roller tube . Black
9	71100	Bottom chassis. Dark grey
10	71110	Fast drain flap. Dark grey
11	71120	Left Side Support. Black
12	71130	Drive belts. Black - 2 pieces
13	71140	Wheels. Grey - 4 pieces
14	71150	Front roller tube.

## 10 Spare parts list

<i>DRAWING : ITEM NUMBER</i>	<i>SKU</i>	<i>PART DESCRIPTION</i>
15	71160	Right Side Support. Black
16	71012	Non return inlet
17	71011	Top filter screen
18	33111	Floating cord 3m - machine end. Grey
19	33291	Floating cord with rotary coupling 13m
20	36000	Power cord - UK
21	36001	Power cord - Australia
22	36002	Power cord - USA
23	36003	Power cord VDE - Europe
24	36004	Power cord - Chine
25	30180	Power Supply
26	71180	PVC brushes set - 5 pieces
27	71170	Fine Filter pad - 2 pieces

11 Spare parts drawing

