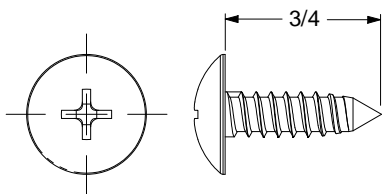
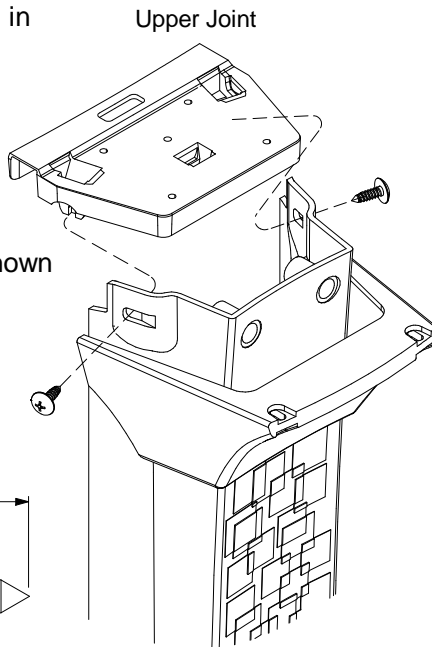


ASSEMBLE Top Seat, Vertical and Cover MIRAGE FRAME

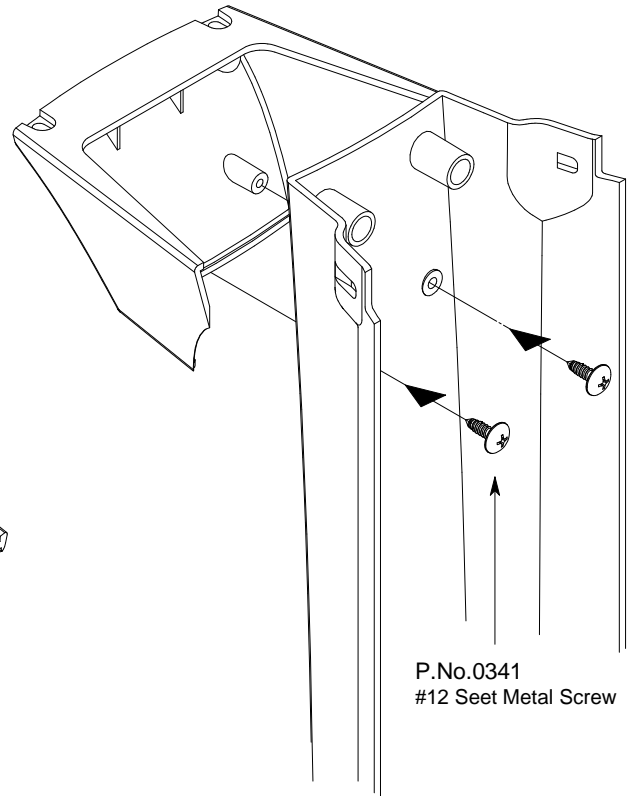
a) PRE-ASSEMBLING VERTICALS

Put cover bracket as shown in the figure.
Tighten up #12 Sheet Metal Screw.

Put Resin Upper Joint as shown in the Figure, tighten up #12 Sheet Metal Screws.



P.No.0341
#12 Seet Metal Screw



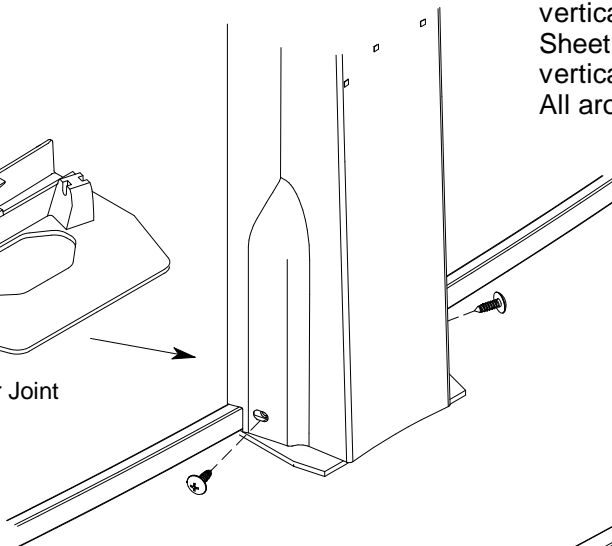
P.No.0341
#12 Seet Metal Screw

b) INSTALLING VERTICALS

Hook Assembled Resin Upper Joint over the top rail. Secure the bottm of vertical to Resin Lower Joint by #12 Sheet Meal Screws, Continue installing verticals in this manner All around the pool.

Lower Joint

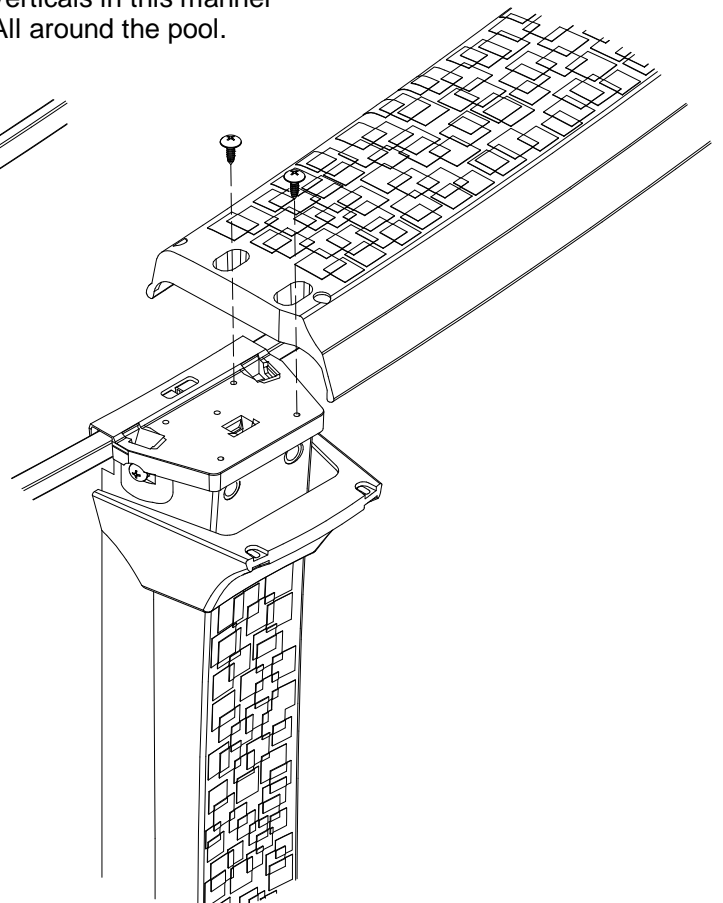
Attention!
Similar to Upper Joint



c) INSTALLING TOP SEATS

Place each of the top seat over the upper joints and secure with #12 Seet Matal Screws.

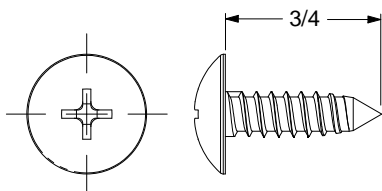
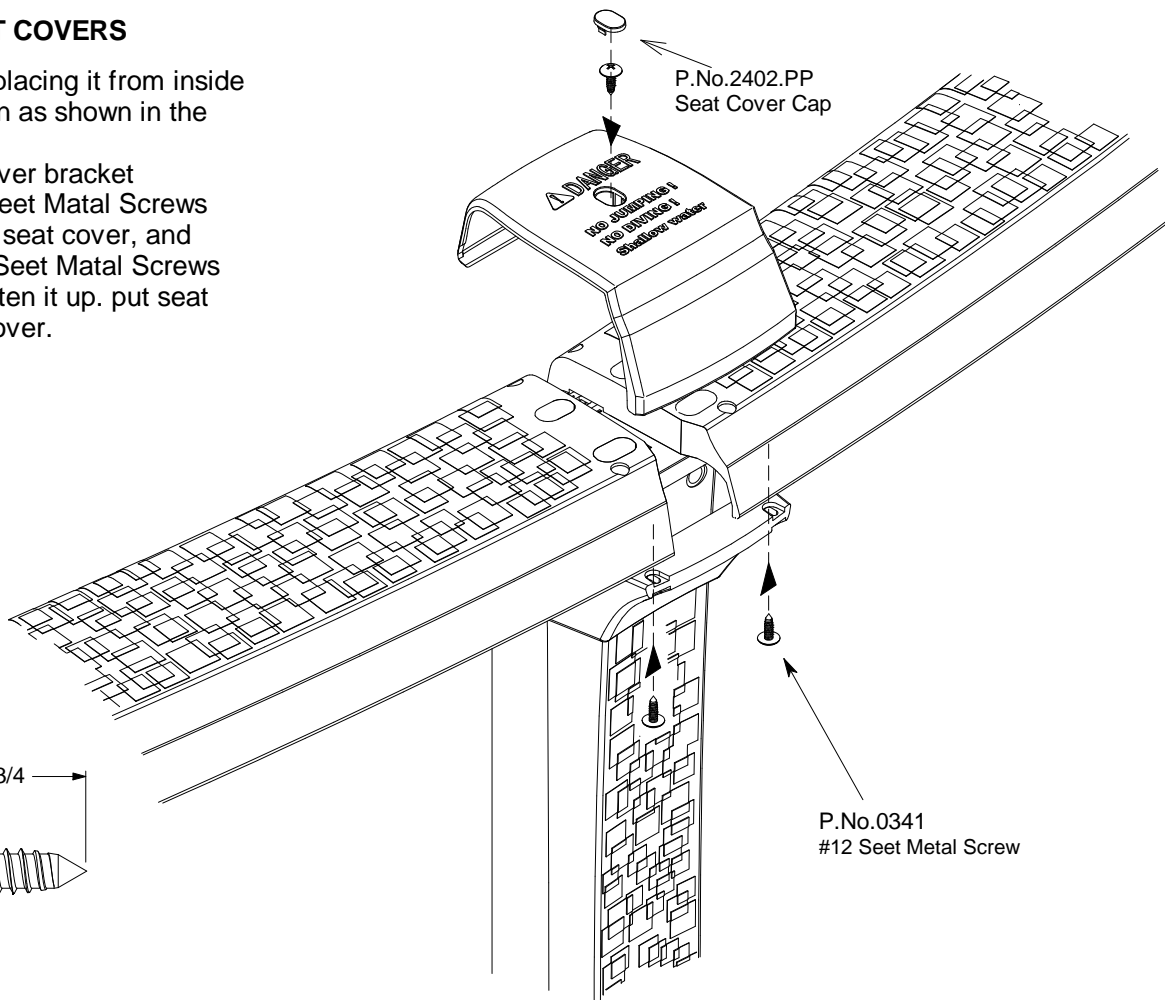
Install all of top seat in this way around entire pool.
Top seat are installed between verticals.
Each end of top seat rest on upper joint and attached to it.
It may be necessary to move the complete verticals slightly to left or right to accommodate the top seat.
Do this carefully as not disturb the earth mound, Check all screws to be sure they are tight.



d) INSTALLING SEAT COVERS

Attach seat cover by placing it from inside of pool in right position as shown in the figure.

put seat cover and cover bracket together, Insert #12 Seat Metal Screws from cover bracket to seat cover, and tighten it up. put #12 Seat Metal Screws to seat cover and tighten it up. put seat cover cap on top of cover.



P.No.0341
#12 Seat Metal Screw

FOR OVAL POOL ONLY

e) INSTALLING OVAL SIDE TOP SEATS AND SIDE SEAT COVERS.

Use #12 Sheet Metal Screw to install oval side top seats on top of resin side upper joint. Attach side seat cover as shown in the figure, then put seat cover cap on top of the cover.

