

Pool Breakdown

Trinity 15'x30' Oval 52"

NB1845

<p><u>FEATURES:</u> Oval Size: 15'x30' Depth: 52" 30 Year Warranty</p>	<p><u>STRUCTURE COMPOSITION:</u> Rugged Steel Frame Resin Top Seat Resin Rail Resin Upright Protective Wall Coatings</p>
---	--

	Qty	Carton #	Carton Content Description
<input type="checkbox"/>	1	301552-MIR-CX-4	TRINITY – 52" INCH VERTICAL UPRIGHT, INSTRUCTIONS, PAPERWORK
<input type="checkbox"/>	1	301552-MIR-CX-2	TRINITY – 7 INCH TOP SEAT
<input type="checkbox"/>	1	3015-MRP-CX-3-SW	TRINITY – 7 INCH JOINT, 7 INCH SEAT COVER, 7 INCH SEAT COVER BRACKET, SEAT COVER ASSEMBLY BOLT PACKAGE
<input type="checkbox"/>	1	3015-5/8 RAIL-2-RR	TRINITY – 5/8 INCH RESIN RAIL
<input type="checkbox"/>	1	3015-BL08-CX-A	TRINITY – HORIZONTAL SUPPORT, PRESSURE PLATE, OVAL BOLT PACKAGE
<input type="checkbox"/>	1	301552-BL08-CX-B	TRINITY – 52" SIDE VERTICAL, SIDE VERTICAL SKIN, END & MIDDLE STRAPS
<input type="checkbox"/>	1	301552-DYN-W-SW	TRINITY – TAUPE WALL, PLASTIC EDGING, 52" WALL JOINT PACKAGE

Carton Breakdown

Trinity 15'x30' Oval 52"

NB1845

Key #	Qty	Item #	Mfg Part #	Part Description	
FRAME CARTON # 301552-MIR-CX-4					
<input type="checkbox"/>	1A	10	NBP1300	2390	Trinity Vertical (52" High)
<input type="checkbox"/>	---	1	-----	0022	Warranty
<input type="checkbox"/>	---	1	-----	0023	Safety Decals
<input type="checkbox"/>	---	1	-----	0024	Parts List + Frame Instruction
FRAME CARTON # 301552-MIR-CX-2					
<input type="checkbox"/>	7A,8B	16	NBP1301	1105	Trinity Top Seat L=1444mm (56-7/8") 15ft
FRAME CARTON # 3015-MRP-CX-3-SW					
<input type="checkbox"/>	5A	10	NBP1061	2176	7in Resin Joint - Upper
<input type="checkbox"/>	6A	10	NBP1062	2276	7in Resin Joint - Lower
<input type="checkbox"/>	2A	10	NBP1302	2485	Trinity Seat Cover
<input type="checkbox"/>	3A	10	NBP1303	2486	Trinity Seat Cover Bracket
<input type="checkbox"/>	15A	6	NBP1311	3477	Trinity Side Seat Cover
<input type="checkbox"/>	14A,5B	6	NBP1312	3177	Resin Side Upper Joint
<input type="checkbox"/>	4B	6	NBP1313	3234	5/8in Resin Side Lower Rail Joint
Seat Cover Assembly Bolt Package (Part # 0341, Order # NBP1111)					
<input type="checkbox"/>	9A	160	NBP1111	0341*	#12 Sheet Metal Screw
<input type="checkbox"/>	4A	16	NBP1111	2402*	Seat Cover Cap
FRAME CARTON # 3015-5/8 RAIL-2-RR					
<input type="checkbox"/>	8A,9B	32	NBP1304	1715-R	5/8in Resin Rail L=1431mm (56-3/8")

*These part #'s are not available to purchase separately. They must be purchased as the Seat Cover Assembly Bolt Package, Order # NBP1111.

Carton Breakdown

Trinity 15'x30' Oval 52" NB1845

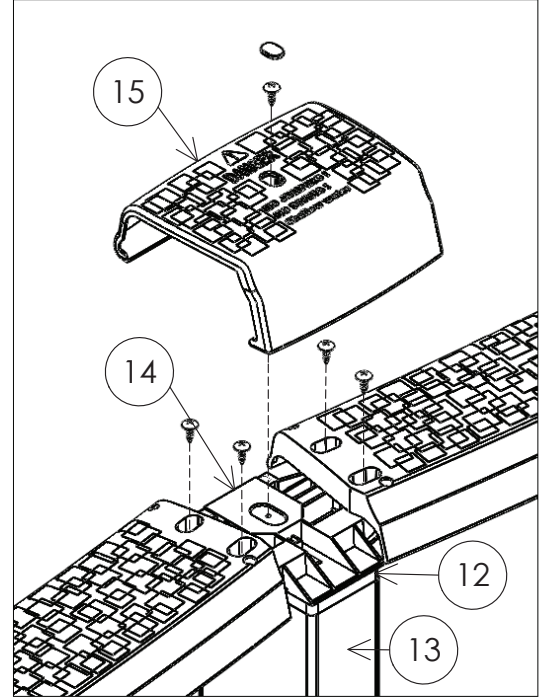
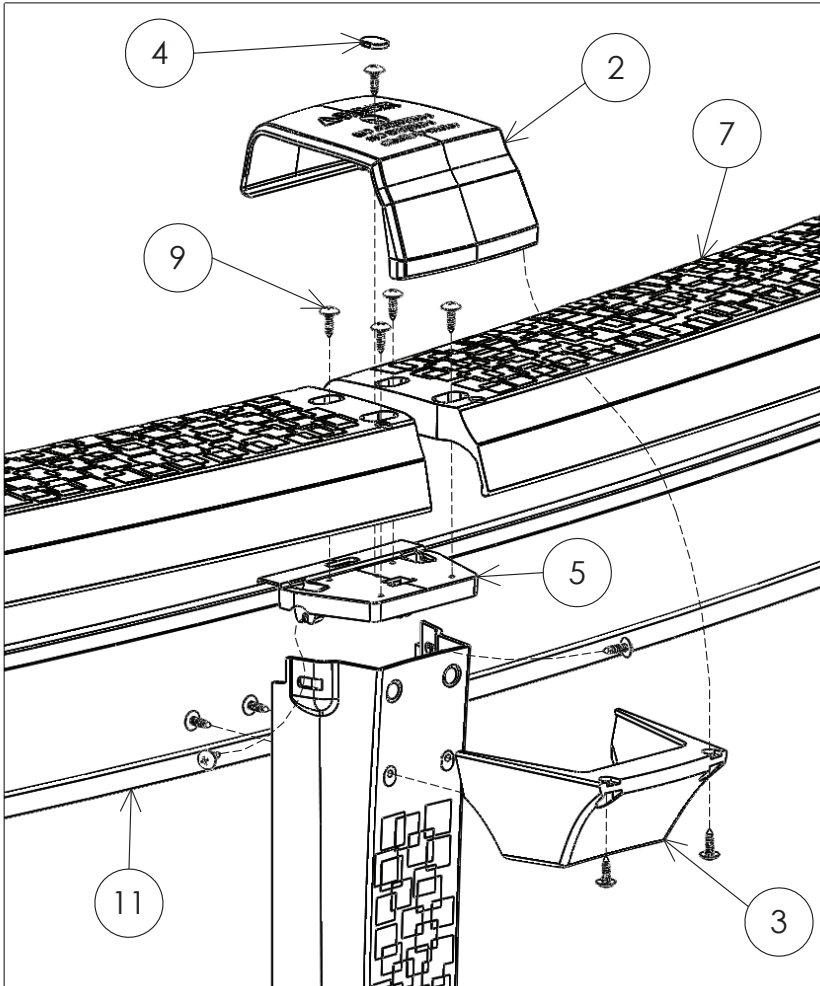
Key #	Qty	Item #	Mfg Part #	Part Description	
FRAME CARTON # 3015-BL08-CX-A					
<input type="checkbox"/>	2B	6	NBP1208	5726	Horizontal Support for 52" Wall
<input type="checkbox"/>	6B	18	NBP1011	6254	Pressure Plate L=680mm (26-3/4")
<input type="checkbox"/>	---	1	-----	-----	Braceless Oval Pool Instructions
Braceless Oval Frame Bolt Package (Part # 0109 / Order # NBP1204) QTY 3					
<input type="checkbox"/>	12B	---	NBP1204	5673*	M14 x 30 Hex Head Bolt
<input type="checkbox"/>	13B	---	NBP1204	5672*	M14 Nut
<input type="checkbox"/>	14B	---	NBP1204	5674*	M10 x 100 Hex Head Bolt
<input type="checkbox"/>	15B	---	NBP1204	5675*	M10 Nut
<input type="checkbox"/>	16B	---	NBP1204	0341*	#12 x 3/4 Sheet Metal Screw
Strap Bolt Package (Part # 0106 / Order # NBP1002) QTY 3					
<input type="checkbox"/>	10B	---	NBP1002	0623*	M8 Nut
<input type="checkbox"/>	11B	---	NBP1002	0923*	M8 x 20 Hex Head Bolt
FRAME CARTON # 301552-BL08-CX-B					
<input type="checkbox"/>	12A,1B	6	NBP1006	5712	Side Vertical for BLE 52" Wall
<input type="checkbox"/>	13A,3B	6	NBP1206	5617	Side Vertical Skin for 52" Wall
<input type="checkbox"/>	7B	6	NBP1013	7244	Middle Strap L=929mm (36-5/8")
<input type="checkbox"/>	7B	6	NBP1207	7528	End Strap L=1400mm (55-1/8")
WALL CARTON # 301552-DYN-W-SW					
<input type="checkbox"/>	10A	1	PC5442	52" Wall	Taupe Wall
<input type="checkbox"/>	11A	19	NL107	8100	Plastic Edging
52" Wall Joint Bolt Package (Part # 0113 / Order # NBP1021)					
<input type="checkbox"/>	---	26	NBP1021	0513*	1/4" x 1/2" Truss Head Screw
<input type="checkbox"/>	---	51	NBP1021	0411*	1/4" Reinforcing Washer
<input type="checkbox"/>	---	26	NBP1021	0611*	1/4" Nut

*These part #'s are not available to purchase separately. They must be purchased as part of corresponding Bolt Package.

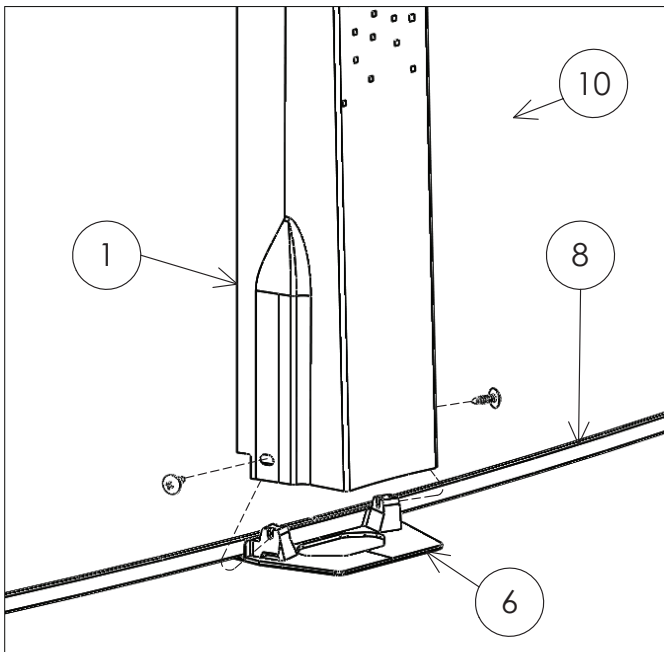
Trinity 15x30' Oval 52"

A

NB1845



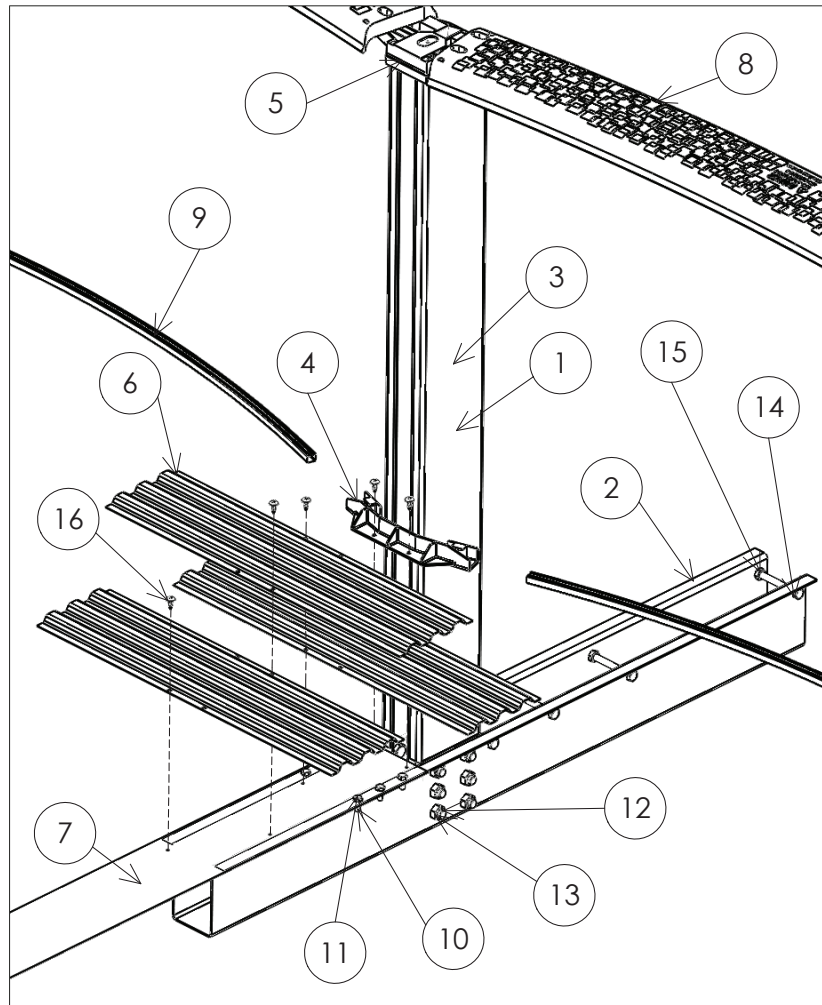
For Oval Pool Only



Parts List		
Key #	Description	Item #
1A	Trinity Vertical 52in	NBP1300
2A	Trinity Seat Cover	NBP1302
3A	Trinity Seat Cover Bracket	NBP1303
4A	Seat Cover Cap	NBP1111
5A	7" Resin Upper Joint	NBP1061
6A	7" Resin Lower Joint	NBP1062
7A	Trinity Top Seat	NBP1301
8A	5/8" Rail	NBP1304
9A	#12 Sheet Metal Screw	NBP1111
10A	Taupe Wall	PC5442
11A	Plastic Edging	NL107
12A	Side Vertical for BL	NBP1006
13A	Side Vertical Skin	NBP1206
14A	Resin Side Upper Joint	NBP1312
15A	Trinity Side Seat Cover	NBP1311

Trinity 15'x30' Oval 52" NB1845

B



Parts List		
Key #	Description	Item #
1B	Side Vertical for BL	NBP1006
2B	Horizontal Support for BL	NBP1208
3B	Side Vertical Skin	NBP1206
4B	Resin Side Lower Joint	NBP1313
5B	Resin Side Upper Joint	NBP1312
6B	Pressure Plate	NBP1011
7B	End Strap	NBP1207
7B	Middle Strap (not shown)	NBP1013
8B	Trinity Top Seat	NBP1301
9B	5/8" Rail	NBP1304
10B	M8 Nut	NBP1002
11B	M8 x 20 Bolt	NBP1002
12B	M14 x 30 Bolt	NBP1204
13B	M14 Nut	NBP1204
14B	M10 x 100 Bolt	NBP1204
15B	M10 Nut	NBP1204
16B	#12 Sheet Metal Screws	NBP1204